

FG

ISO 9001 : 2000
CERTIFIED COMPANY



CE

INSTRUCTIONS FOR USE, INSTALLATION AND MAINTENANCE
INSTRUCTIONS D'UTILISATION, D'INSTALLATION ET D'ENTRETIEN
KULLANMA, KURULUM VE BAKIM TALIMATLARI



- Carefully read the warnings in this instruction booklet since they provide important information on safe installation, use and maintenance.
- This instruction booklet is an integral part of the product and must be carefully kept by the user for future reference.
- If the unit is sold or transferred to another owner or if it is to be moved, always make sure that the booklet accompanies the boiler so that it can be consulted by the new owner and/or installer.
- Installation and maintenance must be carried out by professionally qualified personnel, according to current regulations and the manufacturer's instructions.
- Incorrect installation or poor maintenance can cause damage or physical injury. The manufacturer declines any responsibility for damage caused by errors in installation and use or by failure to follow the manufacturer's instructions.
- Before carrying out any cleaning or maintenance operation, disconnect the unit from the electrical power supply using the switch and/or the special cut-off devices.
- In case the unit breaks down and/or functions poorly, deactivate it, do not make any attempt to repair it or directly intervene. Contact professionally qualified personnel. Any repair/replacement of products must only be carried out by qualified professional personnel using exclusively genuine parts. Failure to comply with the above could affect the safety of the unit.
- Periodical maintenance carried out by qualified personnel is essential for guaranteeing good operation of the unit.
- This unit must only be used for the purpose for which it was designed. Any other use is considered improper and therefore hazardous.
- After removing the packing, check the integrity of the contents. Packing materials must not be left within the reach of children as they are potentially hazardous.
- In case of doubt do not use the unit, and contact the supplier.
- The images shown in this manual are a simplified representation of the product. In this representation there may be slight, unimportant differences with the supplied product.

	<p>This symbol indicates "Caution" and is placed next to all safety warnings. Strictly follow these instructions in order to avoid danger and damage to persons, animals and things.</p>
	<p>This symbols calls attention to a note or important notice.</p>

Declaration of conformity






Manufacturer: FERROLI S.p.A.

Address: Via Ritonda 78/a 37047 San Bonifacio VR Italy

declares that this unit complies with the following EU directives:

- Low Voltage Directive 73/23 (amended by 93/68)
- Electromagnetic Compatibility Directive 89/336 (amended by 93/68)

President and Legal Representative
Cav. del Lavoro
Dante Ferrolli

1 Operating instructions	4	
1.1 Introduction.....	4	
1.2 Control panel.....	4	
1.3 Lighting and shutdown	5	
1.4 Adjustments.....	6	
2 Installation	8	
2.1 General Instructions	8	
2.2 Place of installation	8	
2.3 Plumbing connections	8	
2.4 Safety coil connection (optional)	9	
2.5 Electrical connections.....	10	
2.6 Connection to the flue	11	
3 Service and maintenance.....	12	
3.1 Adjustments.....	12	
3.2 Startup.....	12	
3.3 Maintenance.....	12	
3.4 Troubleshooting.....	14	
4 Technical data and characteristics	15	
4.1 Dimensions, connections and main components	15	
4.2 Pressure loss.....	16	
4.3 Technical data table	16	
4.4 Wiring diagram	17	



1. Operating instructions

1.1 Introduction

Dear Customer,

Thank you for choosing a **FERROLI** boiler featuring advanced design, cutting-edge technology, high reliability and quality construction. Please read this manual carefully since it provides important information on safe installation, use and maintenance.

FG is a wood-burning steel boiler, with total gasification. It exploits the principle of reverse flame combustion, with gradual burning of the wood, to the advantage long operation times before refuelling. In fact, thanks to a variable-speed fan located at the back of the boiler, combustion occurs in a negative pressure. The lit wood, placed in a holder above a special grill, develops a particular type of combustion which, thanks to the high temperature determined by a balanced supply of primary combustion air from above and secondary air injected through the separation grill, turns the cellulose into simpler compounds that burn in the underlying combustion chamber with a flame similar to that of natural gas, with efficiencies exceeding 85%. In the wood loading stage the fan is activated when the door is opened, thus preventing smoke from escaping.

The outer casing consists of painted steel panels, insulated internally with mineral wool to ensure optimum insulation of the boiler body. A safety exchanger for eliminating the excess heat can be installed by request.

1.2 Control panel

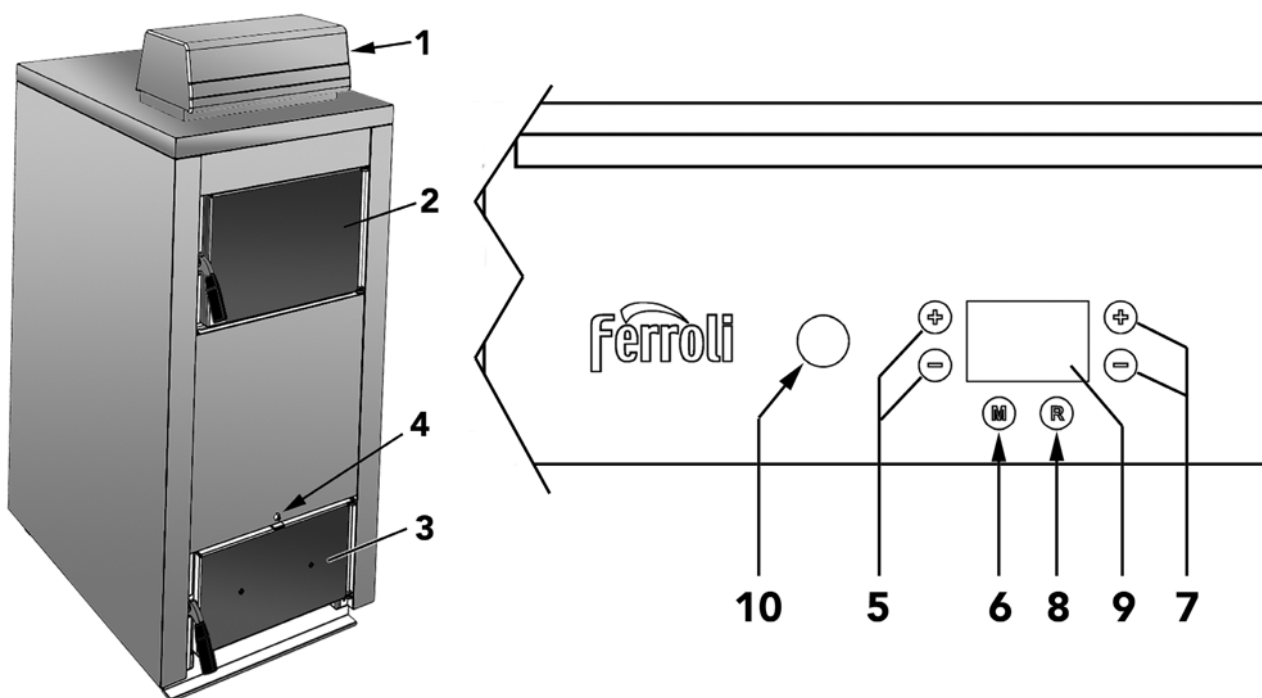


fig. 1 - Control panel

Key

- | | | | |
|---|--|----|---|
| 1 | Control panel | 6 | Button M, Summer/Winter "Mode" changeover |
| 2 | Wood loading door | 7 | Parameter editing + - buttons |
| 3 | Combustion chamber/ash compartment door | 8 | Button R, configuration menu access |
| 4 | Combustion air adjustment | 9 | Display |
| 5 | Heating temperature adjustment + - buttons | 10 | Lighting switch |

During operation, the display shows the system delivery temperature.

1.3 Lighting and shutdown

Fuel

The boiler must only operate with normal and untreated wood. The logs can be 50 cm long for models FG30 and FG40, and 70 cm for model FG50. Pressed fuels and briquettes can also be used, provided they are entirely of wood.



The burning of waste, plastic or liquids can create dangerous burnt gases with risk of poisoning, death or explosion.

- Only use the specified fuels.
- In the presence of risk of explosion, fire, burnt gases or fumes, put the boiler out of service.
- The boiler must only be operated by adults who are familiar with the boiler instructions and its operation.
- The user is only authorised to start the boiler, set the heating temperature, put it out of service and clean it.
- Keep unsupervised children away from the boiler when it is operating.
- Do not burn liquids or use them to increase boiler performance.
- Only use non-flammable agents to clean the surface of the boiler.
- Do not place flammable objects on or near the boiler.
- Do not place flammable materials in the boiler installation compartment (e.g. wood, paper, petroleum, gas oil).

Wood is an extremely heterogeneous fuel for type, moisture content, shape and size. Boiler heating efficiency depends on the type of wood used and its moisture content, as well as the method of loading and size of the fuel. Excellent quality woods are oak, ash, beech, maple and fruit trees except cherry; chestnut and birch are good quality; lime, poplar and willow are of adequate quality. Resiniferous woods are generally mediocre fuels. The higher the moisture-content, the lower the heating power. The use of fuels that are not dry causes losses of efficiency. Use logs dried outdoors and in the natural state (stored for 2 years with max. moisture content 20%).

Boiler lighting

- Open the bottom door and remove any ash present in the combustion chamber. Close the bottom door.
- Switch on the power to the unit. Turn the switch to ON.
- Open the top door. Place some paper and kindling on the burner plate.
- Light the fuel and add some slightly larger pieces of wood.
- Close the door and wait for a first bed of embers to form.
- Open the top door slowly to allow the fan to suck the smoke accumulated in the firewood holder.
- Spread the embers evenly on the burner plate, using a poker.
- Load wood when the bed of embers has formed on the main stone.

Loading wood

- Proceed with loading wood which must be 50 cm long for models FG30 and FG40, and approx. 70 cm for model FG50.
- Since regular falling of the wood is essential for good combustion, make sure that the length of the pieces of wood introduced, their shape and method of loading do not hinder it. The pieces must be arranged lengthwise and horizontally. No pieces must be inclined or placed sideways.
- Consume the wood as much as possible before loading more.
- New loading can be carried out when the bed of embers in the holder is approx. 5 cm deep.
- Open the top loading door slowly.
- Arrange the new load of wood in the same way as previously described.



- Pieces that are too long do not fall regularly, causing empty spaces in the wood holder, with the formation of unburnt wood areas.
- Pieces that are too short cause uneven air passages, with a decrease in power and efficiency.
- Always open the top door slowly, in order to avoid puffs and the creation of smoke.
- Never open the bottom door during operation.
- During loading avoid keeping the top door open for long periods.
- In case of operation with reduced performance, low temperature distilled gases can form, with risk of poisoning if breathed.
- If dense smoke can be seen, do not breathe it.
- Make sure the installation room is well-ventilated.
- Clean the boiler and gas exhaust ducts as prescribed.



Boiler shutdown

To shut down the boiler, allow all the fuel to be burned.

Shutdown for short periods

For short shutdown periods, turn the lighting switch to OFF after the fuel has finished and the boiler has cooled.

- Clean the loading door support surfaces and the loading compartment.
- Remove the ashes and clean the combustion chamber.
- Close the ash compartment door and the loading door.

Shutdown for long periods

To put the boiler out of service for long periods (e.g. at the end of the cold season), carefully clean the boiler to prevent corrosion.



To avoid damage caused by freezing during long idle periods in winter, it is advisable to drain all water from the boiler, or add a suitable antifreeze to the heating system, in compliance with that prescribed in sec. 2.3.

1.4 Adjustments

Summer/Winter changeover

Press the button **M** to activate Summer/Winter changeover.

Heating temperature setting

Operate the buttons **+** and **-** (detail 5 fig. 1) to set the system delivery temperature.

The control system regulates the fan air delivery and therefore the speed of combustion for reaching and maintaining the set temperature.



At too low boiler water temperatures tar forms inside the boiler, and at temperatures below 65 °C condensate forms in the combustion chamber.

Frequent operation below 65 °C causes a big reduction in the boiler's useful life.

Make sure the boiler water temperature remains constantly between 80 - 90 °C.



Secondary air adjustment

The smoke extractor fan located on the back of the boiler supplies the primary combustion air. The boiler is equipped with a factory-set secondary air adjustment device, which must be checked with the aid of a combustion analyser in the first lighting stage. The adjustment screw can subsequently be used to adapt the supply of secondary air according to the quality and type of fuel.

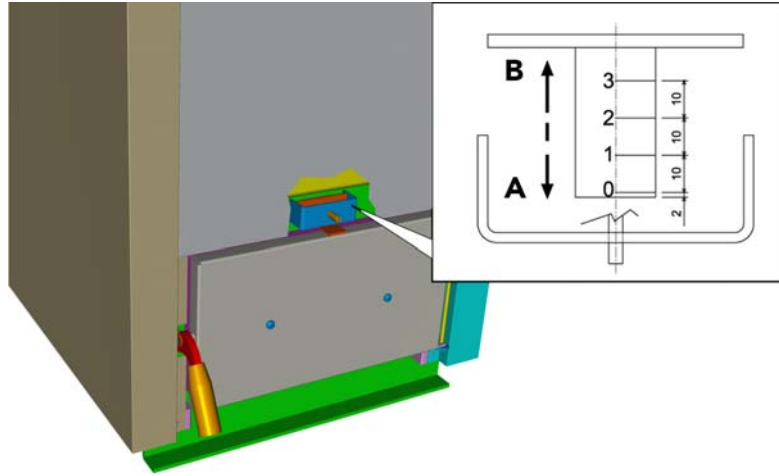


fig. 2 - Secondary air adjustment

- A Open
- B Closed

- Large, wet or hard to burn wood: close 1 notch.
- Dry and very flammable wood: open 1 notch or more.
- If the boiler tends to puff due to very wet fuel, close it gradually.

System pressure adjustment

Periodically check that the system is full of water. These checks must be carried out cold, checking the expansion tanks (open types must have water at the initial level, whereas in closed types the pressure must be equal to or higher than the initial prefilling pressure).




2. Installation

2.1 General Instructions

BOILER INSTALLATION MUST ONLY BE PERFORMED BY QUALIFIED PERSONNEL, IN ACCORDANCE WITH ALL THE INSTRUCTIONS GIVEN IN THIS TECHNICAL MANUAL, THE PROVISIONS OF CURRENT LAW, THE PRESCRIPTIONS OF NATIONAL AND LOCAL STANDARDS AND THE RULES OF PROPER WORKMANSHIP.

2.2 Place of installation

The boiler must be installed in a special room with ventilation openings towards the outside in conformity with current regulations. If there are several burners or extractors that can work together in the same room, the ventilation openings must be sized for simultaneous operation of all the units. The place of installation must be free of flammable objects or materials, corrosive gases, volatile substances or dusts that can be sucked by the fan. The room must be dry and not exposed to rain, snow or frost.

 Ensure enough space around the unit for removing the casing and for normal servicing operations. In particular, make sure there is enough space in the front part of the boiler for loading the fuel.

2.3 Plumbing connections

The heating capacity of the unit must be previously established by calculating the building's heat requirement according to current regulations. The system must be provided with all the components for correct and regular operation. It is advisable to install on-off valves between the boiler and heating system allowing the boiler to be isolated from the system if necessary.



The safety valve outlet must be connected to a funnel or collection pipe to prevent water spurting onto the floor in case of overpressure in the heating circuit. Otherwise, if the drain valve is activated and floods the room, the boiler manufacturer cannot be held liable.

Do not use the water system pipes to earth electrical appliances.

Before installation, carefully wash all the pipes of the system to remove residuals or impurities that could affect correct operation of the unit.

Carry out the relevant connections according to the diagram in cap. 4 "Technical data and characteristics" and the symbols given on the unit.

Characteristics of the water system

In the presence of water harder than 25° Fr (1°F = 10ppm CaCO₃), use suitably treated water in order to avoid possible scaling in the boiler. Treatment must not reduce the hardness to values below 15°F (Decree 236/88 for uses of water intended for human consumption). Treatment of the water used is indispensable in case of very large systems or with frequent introduction of replenishing water in the system.

Antifreeze system, antifreeze fluids, additives and inhibitors

If necessary, antifreeze fluids, additives and inhibitors can be used only if the manufacturer of these products guarantees that they are suitable for this use and do not cause damage to the boiler exchanger or other components and/or materials of the unit and system. Do not use antifreeze fluids, additives or inhibitors that are not specific for use in heating systems and not compatible with the boiler materials and system.

2.4 Safety coil connection (optional)

An external (cooling circuit) safety heat exchanger (optional) can be supplied together with the boiler.

In countries where Standard EN 303-5 is applied, the boiler must have a system enabling a safety outlet for the excess heat without additional energy. In this way the maximum boiler water temperature will not exceed 100 °C (overheating protection).

The minimum cooling water supply pressure must be 2.0 bar. A flowrate of at least 10 l/min. must be available.

- Remove the flange "A" located at the back of the boiler.
- Install the coil "N", fixing it with the 4 bolts.
- Fit the safety valve "P" on the outlet of the coil "N", respecting the direction of the arrow. Insert the valve probe "Q" in the special sheath "G". Connect the water inlet directly to the safety coil. Connect the valve outlet.

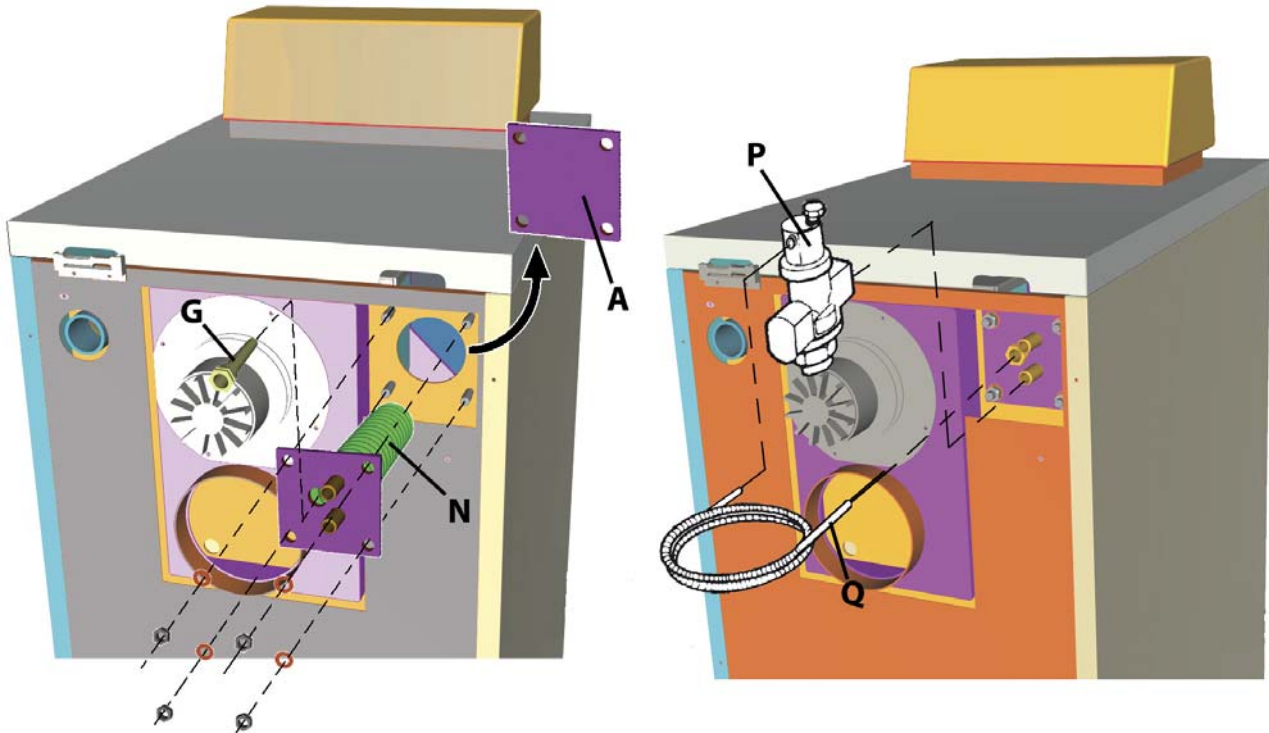


fig. 3 - Safety heat exchanger connection



2.5 Electrical connections

Fitting the control panel

1. Remove the control panel cover "P" by undoing the two side screws "V".
2. Arrange the cables of the fan "B", the sensor "A" and the door microswitch "C" as shown in fig. 4
3. Connect the fan cable to the terminal block, respecting the colours indicated in fig. 5 and fix the condenser "R" with the special adhesive clamp.
4. Connect the cable of the microswitch "C" to the terminals as shown in fig. 5.
5. Insert the probe "A" in the special pocket.

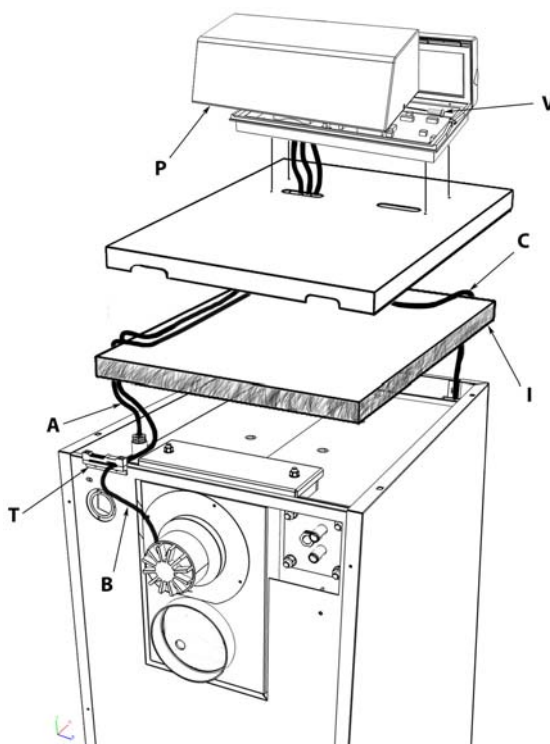


fig. 4 - Fitting the control panel

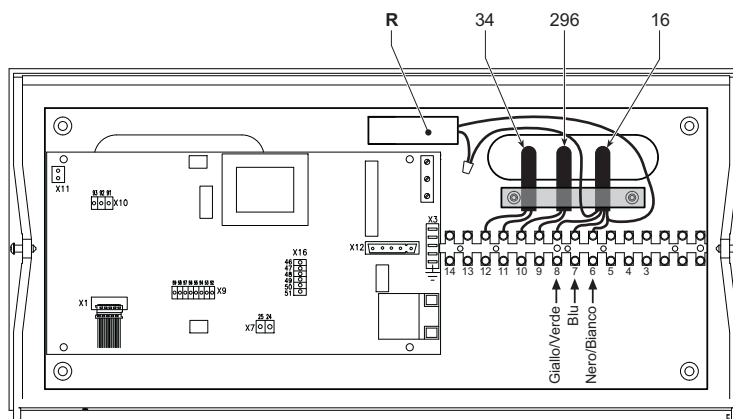


fig. 5 - Connection to the terminal block

- C Condenser
- 16 Fan
- 34 Heating temperature sensor
- 296 Door microswitch

Connection to the electrical grid



The unit's electrical safety is only guaranteed when correctly connected to an efficient earthing system executed according to current safety standards. Have the efficiency and suitability of the earthing system checked by professionally qualified personnel. The manufacturer is not responsible for any damage caused by failure to earth the system. Also make sure that the electrical system is adequate for the maximum power absorbed by the unit, as specified on the boiler dataplate.

The boiler is prewired and provided with a Y-cable and plug for connection to the electricity line. The connections to the grid must be made with a permanent connection and equipped with a bipolar switch whose contacts have a minimum opening of at least 3 mm, interposing fuses of max. 3A between the boiler and the line. It is important to respect the polarities (LINE: brown wire / NEUTRAL: blue wire / EARTH: yellow-green wire) in making connections to the electrical line. During installation or when changing the power cable, the earth wire must be left 2 cm longer than the others.



The user must never change the unit's power cable. If the cable gets damaged, switch off the unit and have it changed solely by professionally qualified personnel. If changing the electric power cable, use solely "HAR H05 VV-F" 3x0.75 mm² cable with a maximum outside diameter of 8 mm.

2.6 Connection to the flue

The unit must be connected to a flue designed and built in compliance with current regulations. The pipe between the boiler and flue must be made from material suitable for the purpose, i.e. heat and corrosion resistant. Ensure the seal at the joints and insulate the entire pipe between boiler and flue, to prevent the formation of condensate.



3. Service and maintenance

All adjustment, conversion, startup and periodical checking operations described below must only be carried out by Qualified Personnel (meeting the professional technical requirements prescribed by current regulations).

FERROLI declines any liability for damage and/or injury caused by unqualified and unauthorised people tampering with the unit.

3.1 Adjustments

Secondary air adjustment

During the startup stage it is advisable to check the setting of the secondary air adjustment device.

Light the boiler and carry out first loading with the same type of fuel to be used by the end-user.

Wait for the boiler to stabilise.

Using a combustion analyser check the CO in the fumes. If the CO content is > 0.5% gradually open the regulator until obtaining a CO value of < 0.5%.

N.B.: opening the secondary air regulator of the boiler too much can result in uneven combustion (tendency to "puff"). In this case close the regulator by 1/2 - 1 notch.

3.2 Startup



Checks to be made at first lighting, and after all maintenance operations that involved disconnecting from the systems or operations on safety devices or parts of the boiler.

Before lighting the boiler

- Open any on-off valves between the boiler and the systems.
- Check correct prefilling of the expansion tank
- Fill the water system and make sure that all air contained in the boiler and the system has been vented.
- Make sure there are no water leaks in the system, connections or boiler.
- Check correct connection of the electrical system and efficiency of the earthing system
- Make sure there are no flammable liquids or materials in the immediate vicinity of the boiler

Checks during operation

- Turn the unit on as described in sec. 1.3.
- Check the seal of the water systems.
- Check the efficiency of the flue and air-fume ducts while the boiler is working.
- Check that the water is circulating properly between the boiler and the systems.
- Check the seal of the wood loading and combustion chamber doors.
- Check combustion and correct setting of the secondary air control device.

3.3 Maintenance

Warnings



- Before carrying out any maintenance make sure to disconnect the power to the boiler and wait until it is at room temperature.
- Never drain (even partially) the water from the system, unless absolutely necessary.
- Do not clean the boiler and/or its parts with easily flammable substances (e.g. petrol, alcohol, etc.).
- Do not leave containers with flammable substances in the room where the boiler is installed.
- Do not clean the heating system with boiler operating.
- Use tube brushes and vacuum aspirators for cleaning; if rags are used, make sure they are not left inside the boiler.

Routine maintenance

Soot and ash on the inside walls of the boiler and on the refractory bricks reduces the transfer of heat. However, during the operation of a boiler with wood gasification less ash is produced than during heating with conventional boilers.

Remove the ash from the combustion chamber every 1-2 days, and in any case before it is full, so as to leave sufficient space for combustion.



If the ash is still hot, use protective gloves.

Put the ash in a non-flammable container provided with a lid.

Carry out thorough cleaning at least once a week:

- Open the loading door and brush the combustion residuals in the ash compartment through the opening between the burner plates.
- Clean the inside walls of the combustion chamber with a brush
- Remove the loose soot and ash from the combustion chamber.
- Check perfect door closure seal. Also make sure there is no tar or condensate dripping from the smokebox.



Do not clean the burner plates with a wire brush, as they may become damaged.

Extraordinary maintenance

Clean the fume ducts once a month:

- Remove the top cover of the casing
- Open the inspection door at the back of the boiler (see fig. 6).
- Remove the turbulators and clean the fume ducts with a tube brush.

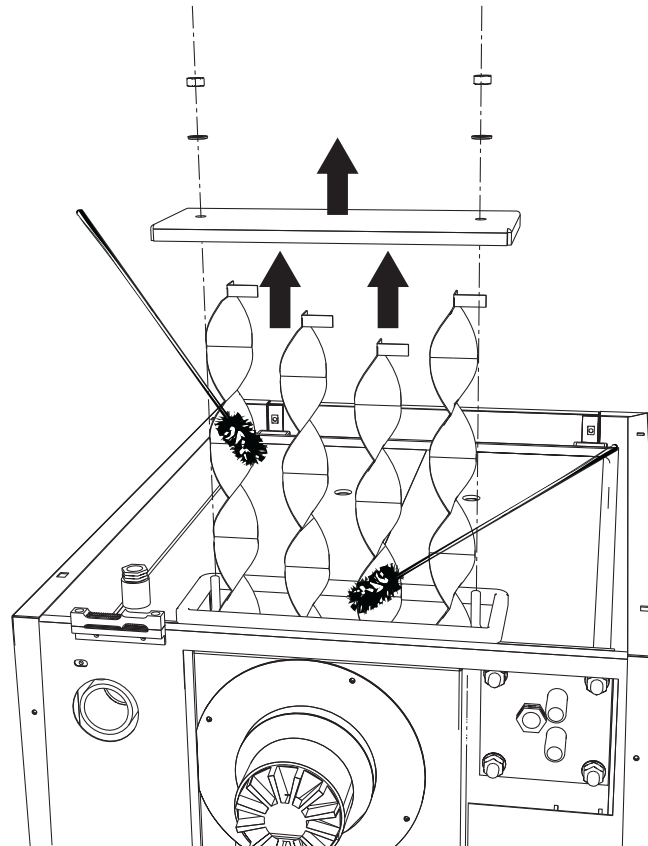


fig. 6 - Fume duct cleaning



Periodical check

To ensure correct operation of the unit over time, have qualified personnel carry out a yearly check, providing for the following:

- Check and if necessary clean the boiler and fume ducts as indicated in the previous paragraph.
- Remove the fume extractor and clean the fan.
- Check the conditions of the burner plates.
- Check the seal of the ash compartment and loading door; replace the gasket if necessary.
- The control and safety devices must work properly.
- The fume exhaust circuit must be perfectly efficient.
- The exhaust pipes and terminals must be free of obstructions and leaks
- The burner and exchanger must be clean and free of deposits. For possible cleaning do not use chemical products or wire brushes.
- The water pressure in the system when cold must be approx. 1 bar; otherwise bring it to that value.
- The circulating pump must not be blocked.
- The expansion tank must be filled.

3.4 Troubleshooting

Diagnostics

In case of operation anomalies or problems, the display flashes and a fault identification code appears.

Table. 1 - Fault list

Fault code	Fault	Possible cause	Cure
E05	Heating temperature sensor fault	Sensor damaged or short circuited	Check the wiring or replace the sensor
E06	Heating temperature sensor fault	Sensor damaged or wiring dis-connected	Check the wiring or replace the sensor



4. Technical data and characteristics

4.1 Dimensions, connections and main components

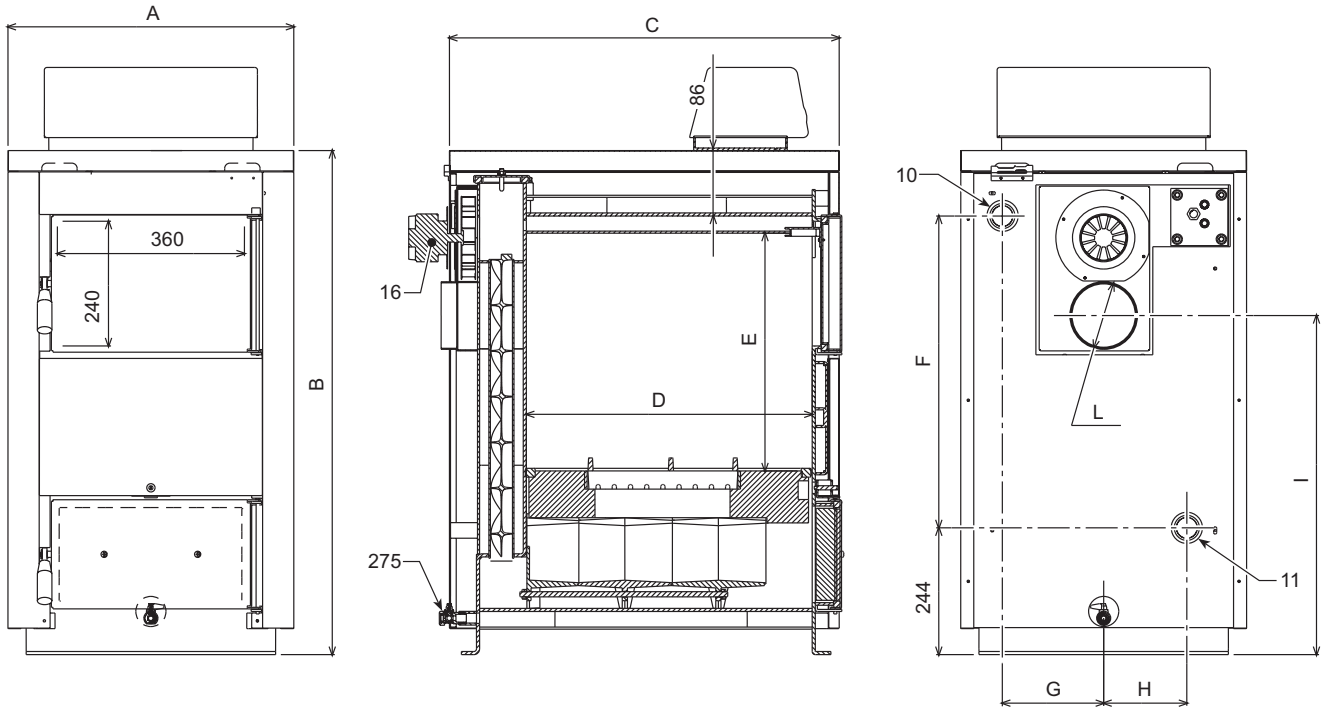


fig. 7 - Dimensions, connections and main components

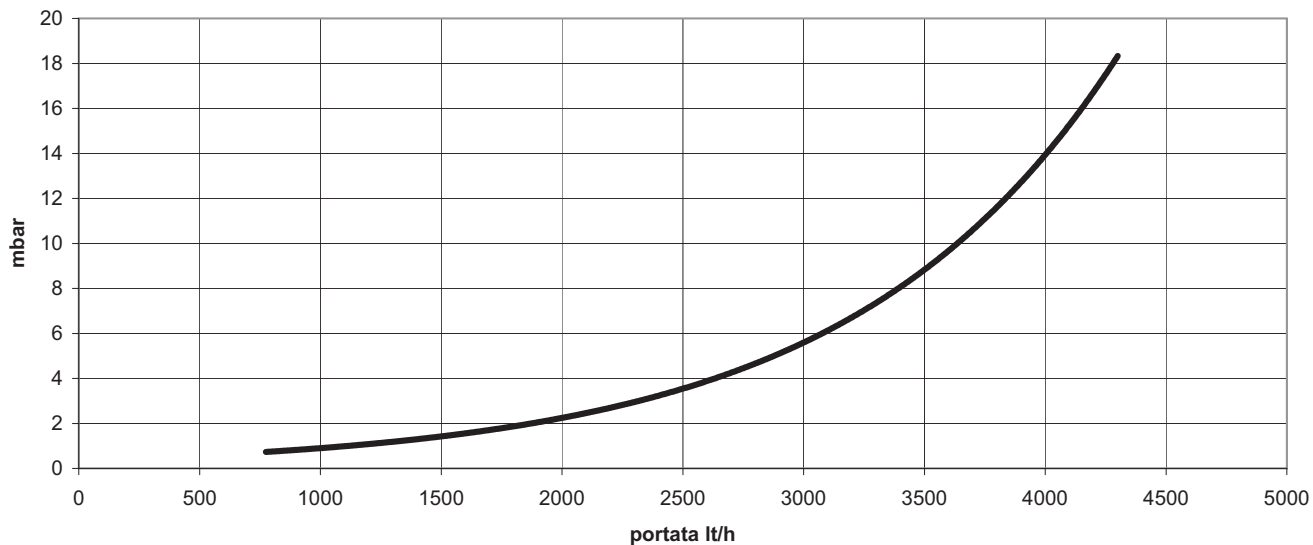
Model	A	B	C	D	E	F	G	H	I	L (Ø)
Fg 30	550	970	750	550	457.7	600	195	160	652.5	130
Fg 40	550	1150	750	550	637.5	780	195	160	812	150
Fg 50	600	1150	930	730	627.5	780	220	185	812	150

Key

- 10 System delivery
- 11 System return
- 16 Fan
- 275 System water drain



4.2 Pressure loss



4.3 Technical data table

	Unit	Value	Value	Value	
Model		FG 30	FG 40	FG 50	
Max. heating capacity	kW	34.9	46.2	57.5	(Q)
Min. heating capacity	kW	16.9	22.3	27.8	(Q)
Max. heat output in heating	kW	30	40	50	(P)
Min. heat output in heating	kW	15	20	25	(P)
Efficiency Pmax	%	86	86.5	87	
Efficiency Pmin	%	89	89.5	90	
Working pressure in heating	bar	3	3	3	(PMS)
Empty weight	kg	185	220	286	
Combustion chamber volume	dm ³	100	140	200	

4.4 Wiring diagram

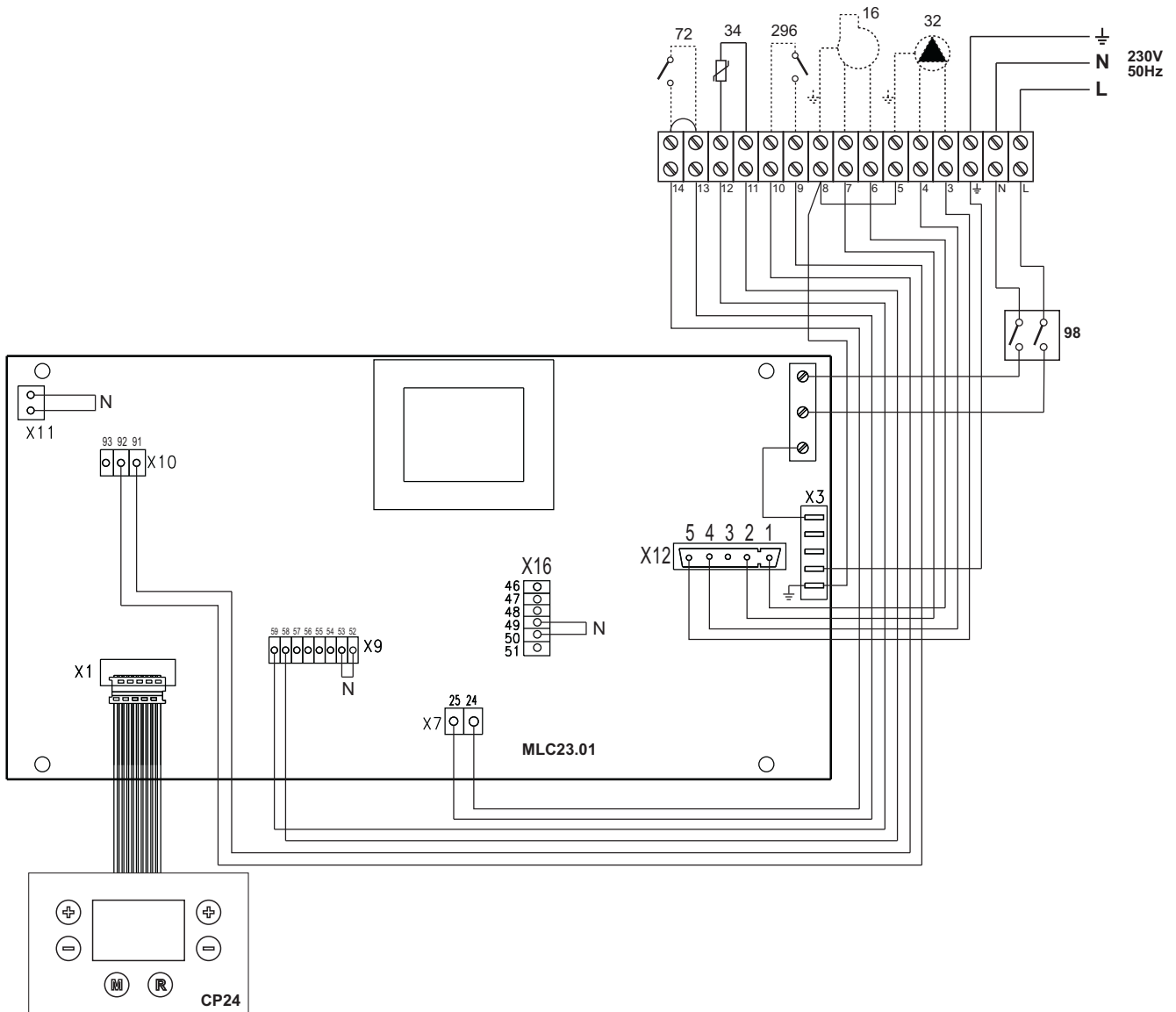


fig. 8 - Wiring diagram

- 16 Fan
- 32 Heating circulating pump
- 72 Room thermostat (not supplied)
- 34 Heating temperature sensor
- 296 Door microswitch



- Lire attentivement les avertissements contenus dans le présent livret fournissant des indications importantes pour la sécurité de l'installation, son utilisation et son entretien.
- Le manuel d'instructions fait partie intégrante du produit et en constitue un composant essentiel que l'utilisateur aura soin de garder afin de pouvoir le consulter par la suite.
- En cas de vente ou de cession de l'appareil à un autre propriétaire ou d'un déménagement, s'assurer que le manuel accompagne dans tous les cas la chaudière de manière à pouvoir être consulté en tout temps par le nouveau propriétaire et/ou installateur.
- L'installation et l'entretien doivent être effectués conformément aux normes en vigueur, selon les instructions du constructeur et par un personnel professionnel qualifié.
- Une installation incorrecte ou un entretien impropre peuvent entraîner des dommages à des personnes, à des animaux ou à des choses. Le constructeur n'assume aucune responsabilité pour les dommages causés par des erreurs d'installation et d'utilisation et, dans tous les cas, en cas de non observation des instructions qu'il a fournies.
- Avant d'effectuer toute opération de nettoyage ou d'entretien, isoler l'appareil du réseau d'alimentation électrique en actionnant l'interrupteur de l'installation et/ou au moyen des dispositifs d'isolement prévus.
- Désactiver l'appareil en cas de panne et/ou de mauvais fonctionnement en s'abstenant de toute tentative de réparation ou d'intervention directe. S'adresser uniquement à un personnel professionnel qualifié. Les éventuelles réparations ou remplacements de composants devront être effectués uniquement par du personnel professionnel qualifié en n'utilisant que des pièces de rechange d'origine. La non observation de ce qui précède compromet les conditions de sécurité de l'appareil.
- Pour garantir le bon fonctionnement de l'appareil, il est indispensable de faire effectuer l'entretien périodique uniquement par du personnel professionnel qualifié.
- Cet appareil ne peut servir que dans le cadre des utilisations pour lesquelles il a été conçu. Tout autre usage sera considéré comme impropre et dès lors dangereux.
- Après avoir retiré l'emballage, s'assurer du bon état du contenu. Les éléments du conditionnement ne peuvent être laissés à la portée des enfants étant donné qu'ils pourraient être la source potentielle de dangers.
- En cas de doute, ne pas utiliser l'appareil et s'adresser au fournisseur.
- Les images contenues dans ce manuel ne sont qu'une représentation simplifiée du produit. Cette représentation peut présenter de légères différences, non significatives, par rapport au produit.

	<p>Ce symbole signifie “Attention” et est mis en regard de toutes les annonces relatives à la sécurité. Ces prescriptions sont à respecter scrupuleusement pour éviter tous risques causés à des personnes, animaux et objets.</p>
	<p>Ce symbole attire l'attention sur une note ou un avertissement important</p>

Déclaration de conformité



Le constructeur : FERROLI S.p.A.

Adresse: Via Ritonda 78/a 37047 San Bonifacio VR





déclare que cet appareil est conforme aux directives CEE ci-dessous:

- Directive basse tension 73/23 (modifiée 93/68)
- Directive Compatibilité Electromagnétique 89/336 (modifiée 93/68)

Président et fondé de pouvoirs

Cav. du travail

Dante Ferrolli

1 Instructions d'utilisation	20	
1.1 Introduction.....	20	
1.2 Tableau des commandes	20	
1.3 Allumage et extinction	21	
1.4 Réglages	22	
2 Installation	24	
2.1 Dispositions générales	24	
2.2 Emplacement	24	
2.3 Raccordements hydrauliques	24	
2.4 Raccordement serpentin de sécurité (option)	25	
2.5 Branchements électriques	26	
2.6 Raccordement au conduit de fumée	27	
3 Utilisation et entretien	28	
3.1 Réglages	28	
3.2 Mise en service	28	
3.3 Entretien	28	
3.4 Résolution des problèmes	30	
4 Caractéristiques et données techniques	31	
4.1 Dimensions, raccords et composants principaux	31	
4.2 Perte de charge	32	
4.3 Tableau des caractéristiques techniques	32	
4.4 Schéma électrique	33	



1. Instructions d'utilisation

1.1 Introduction

Cher Client,

Nous vous remercions d'avoir choisi **FERROLI**, une chaudière de conception avancée, de technologie d'avant-garde, de fiabilité élevée et de haute qualité constructive. Lire attentivement les instructions contenues dans la présente notice, car elles fournissent des indications importantes concernant la sécurité d'installation, l'utilisation et l'entretien de l'appareil.

FG Il s'agit d'une chaudière en acier fonctionnant au bois, à gazéification totale. Elle utilise le principe de la combustion à flamme inverse qui permet une consommation graduelle du bois, avec en conséquence une plus longue autonomie. En effet, grâce à un ventilateur à vitesse variable, positionné dans la partie arrière de la chaudière, la combustion s'effectue en dépression ; le bois allumé, situé dans un magasin au-dessus d'une grille spéciale, développe une forme particulière de combustion qui, grâce à la température élevée déterminée par l'apport équilibré de l'air comburant primaire par le haut et secondaire injecté à travers la grille de séparation, transforme la cellulose en composés plus simples qui brûlent dans la chambre de combustion sous-jacente, avec une flamme similaire à celle du méthane, et des rendements supérieurs à 85%. En phase de chargement du bois, à l'ouverture de la porte, le ventilateur est activé pour éviter la sortie de la fumée.

L'habillage extérieur est constitué par des panneaux en acier peints, isolés intérieurement avec de la laine minérale pour garantir une excellente isolation du corps de la chaudière. Sur demande, un échangeur de sécurité peut être installé pour l'élimination de la chaleur en excès.

1.2 Tableau des commandes

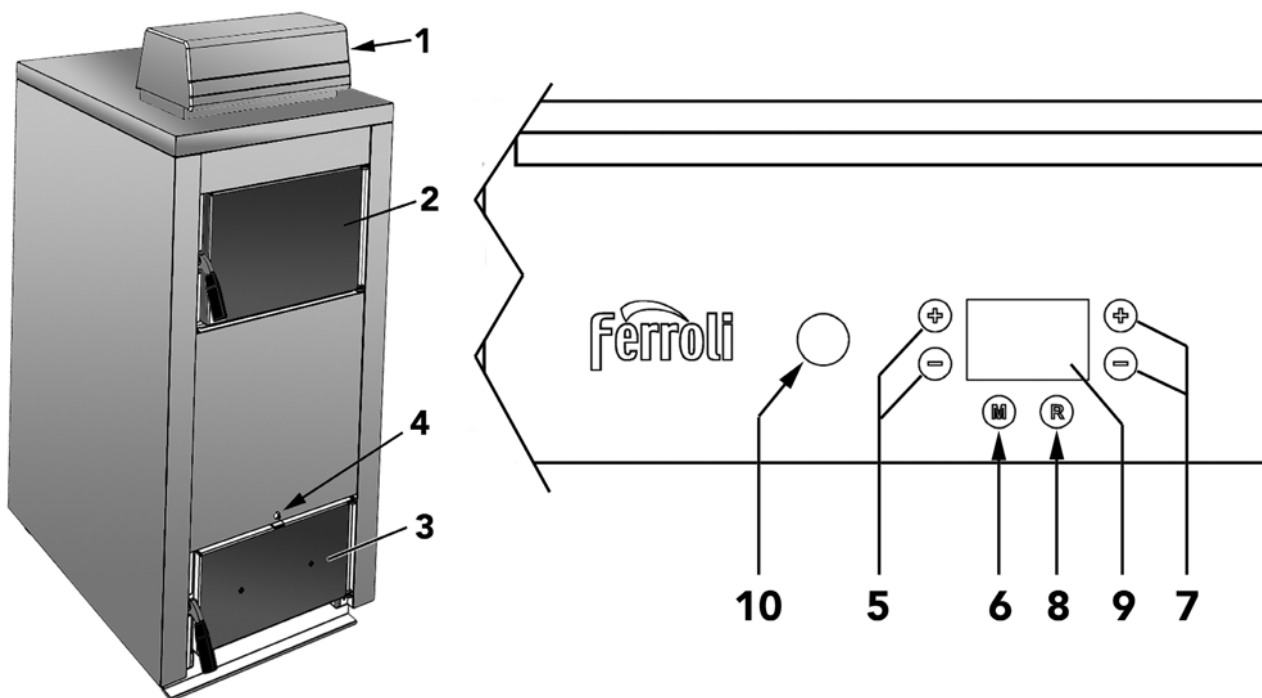


fig. 1 - Tableau de contrôle

Légende

- | | | | |
|---|---|----|--|
| 1 | Tableau des commandes | 6 | Touche M, "Mode" commutation Eté/Hiver |
| 2 | Porte de chargement bois | 7 | Touches + - modification paramètres |
| 3 | Porte logement cendre/chambre de combustion | 8 | Touche R, accès menu configuration |
| 4 | Réglage de l'air comburant | 9 | Afficheur |
| 5 | Touches + - réglage température chauffage | 10 | Interrupteur d'allumage |

Durant le fonctionnement, l'afficheur visualise la température de refolement installation.

1.3 Allumage et extinction

Combustible

La chaudière ne doit fonctionner qu'avec du bois à l'état naturel et non traité. La longueur des morceaux de bois peut être de 50 cm pour les modèles FG30 et FG40, 70 cm pour le modèle FG50. Il est également possible d'utiliser des combustibles pressés et en briques à condition qu'entièrement en bois.



La combustion de déchets, plastique ou liquides, peut créer la formation de gaz brûlés dangereux avec risque d'empoisonnement, mort ou explosion.

- Utiliser exclusivement les combustibles indiqués.
- En présence de danger d'explosion, incendie, gaz brûlés ou exhalations, mettre la chaudière hors service.
- La chaudière ne doit être utilisée que par des personnes adultes, à connaissance des instructions et du fonctionnement de la chaudière.
- L'utilisateur est autorisé à mettre la chaudière en marche, à introduire la température de chauffage, à éteindre la chaudière et à la nettoyer.
- Empêcher aux enfants de s'approcher de la chaudière lorsqu'elle est en marche.
- Ne pas donner feu à des liquides ni en utiliser pour augmenter les performances de la chaudière.
- Nettoyer la surface de la chaudière avec des produits non inflammables.
- Ne pas poser d'objets inflammables sur la chaudière ni à proximité.
- Ne pas déposer de matériaux inflammables dans le logement d'installation de la chaudière (par exemple bois, papier, pétrole, gasoil).

Le bois est un combustible extrêmement hétérogène du point de vue de son essence, degré d'humidité, forme et dimensions. Le rendement thermique de la chaudière est influencé par le type de bois utilisé et par son degré d'humidité, outre la modalité de chargement et la dimension des morceaux de combustible. Les bois de meilleure qualité sont le chêne, le frêne, le hêtre, l'érable et les arbres fruitiers sauf le cerisier, le châtaignier et le bouleau de qualité discrète, le tilleul, le peuplier et le saule de qualité suffisante. En général, les résineux sont des combustibles médiocres. Le pouvoir calorifique diminue avec l'augmentation de l'humidité du bois. L'emploi de combustibles humides provoque des pertes de rendement. Utiliser du bois en bûches séché en plein air et à l'état naturel (stocké pendant 2 ans avec humidité maximum de 20%).

Allumage de la chaudière

- Ouvrir la porte inférieure et enlever la cendre éventuelle présente dans la chambre de combustion. Refermer la porte inférieure.
- Fournir l'alimentation électrique à l'appareil. Mettre l'interrupteur d'allumage sur la position ON.
- Ouvrir la porte supérieure. Poser sur la plaque du brûleur un peu de papier et du bois fin et sec.
- Allumer le combustible et ajouter quelques morceaux de bois de dimensions légèrement supérieures.
- Fermer la porte et attendre la formation d'un premier lit de braises.
- Ouvrir lentement la porte supérieure pour permettre au ventilateur d'aspirer les fumées s'étant accumulées dans le magasin bois.
- Distribuer uniformément les braises sur la plaque du brûleur en utilisant un pique-feu.
- Après avoir réalisé le lit de braises sur la pierre principale, on peut procéder au chargement du bois.

Chargement du bois

- Charger la chaudière avec des morceaux de bois de 50 cm de long pour les modèles FG30 et FG40, et d'environ 70 cm pour le modèle FG50.
- Etant donné que, pour une bonne combustion, il est indispensable qu'il y ait une descente uniforme du bois, il est nécessaire d'assurer que la longueur des morceaux introduits, leur forme et le mode de chargement n'empêchent pas la descente régulière du combustible. Les morceaux doivent être disposés longitudinalement et horizontalement. Aucun morceau ne doit être incliné ou mis de travers.
- Avant d'effectuer un nouveau chargement de bois, consommer le plus possible le précédent.
- Le nouveau chargement ne pourra être effectué que lorsque le lit de braises dans le magasin sera réduit à une épaisseur d'environ 5 cm.
- Ouvrir lentement la porte supérieure de chargement.
- Disposer le nouveau chargement de bois de la manière indiquée précédemment.





- Les morceaux trop longs ne tombent pas régulièrement en provoquant des vides dans le magasin à bois, avec formation de zones de bois non brûlé.
- Les morceaux trop courts provoquent des passages d'air non réguliers, avec baisse de puissance et de rendement.
- Ouvrir la porte supérieure toujours lentement, afin d'éviter les bouffées de chaleur et les formations de fumée.
- Durant le fonctionnement, il est interdit d'ouvrir la porte inférieure.
- Lors de la phase de chargement, éviter de tenir la porte supérieure ouverte pendant trop longtemps.
- En cas de fonctionnement avec performances réduites, des gaz distillés à basse température peuvent se former et, s'ils sont respirés, ils peuvent provoquer un empoisonnement par la fumée.
- Si une fumée dense est visible, ne pas la respirer.
- Bien aérer le local d'installation de la chaudière.
- Nettoyer la chaudière et les voies d'évacuation des gaz comme prescrit.

Extinction de la chaudière

Pour éteindre la chaudière, laisser brûler tout le combustible.

Extinction pendant de brèves périodes

Pour des périodes brèves d'extinction, une fois le combustible terminé et la chaudière refroidie, mettre l'interrupteur de mise en marche sur OFF.

- Nettoyer les surfaces d'appui de la porte de chargement et le logement de chargement.
- Enlever la cendre et nettoyer la chambre de combustion.
- Fermer la porte du logement cendre et la porte de chargement.

Arrêt pour de longues périodes

Pour mettre la chaudière hors service pendant une longue période (par ex. à la fin de la période froide), nettoyer la chaudière avec soin pour éviter les corrosions.



Si l'appareil est destiné à rester inutilisé pour une longue période en hiver, afin d'éviter les dommages causés par le gel, il est conseillé, soit de vider toute l'eau contenue dans la chaudière, soit de verser l'antigel approprié dans l'installation de chauffage, en respectant les prescriptions du sez. 2.3.

1.4 Réglages

Commutation Eté/Hiver

Appuyer sur la touche **M** pour activer la commutation Eté/Hiver.

Réglage de la température de chauffage

Agir sur les touches **+** et **-** (rep. 5 fig. 1) pour introduire la température de départ installation.

Le système de contrôle règle le débit d'air du ventilateur et donc la vitesse de combustion pour atteindre et conserver la température introduite.



Avec des températures de l'eau de chaudière trop basses, on crée du goudron à l'intérieur de la chaudière ; à des températures inférieures à 65 °C, on crée de l'eau de condensation dans la chambre de combustion.

Un fonctionnement fréquent à une température inférieure à 65 °C provoque une forte diminution de la durée de vie de la chaudière.

Faites attention à ce que la température de l'eau en chaudière reste constamment entre 80 - 90 °C.

Réglage de l'air secondaire

Le ventilateur d'extraction des fumées situé sur le côté arrière de la chaudière effectue l'alimentation d'air comburant primaire. La chaudière est équipée d'un dispositif de réglage de l'air secondaire, pré-étalonné en usine, qui doit être vérifié en phase de premier allumage à l'aide d'un analyseur de combustion. Il est possible d'intervenir par la suite sur la vis de réglage pour adapter l'apport d'air secondaire selon la variation de la qualité et du type de combustible.

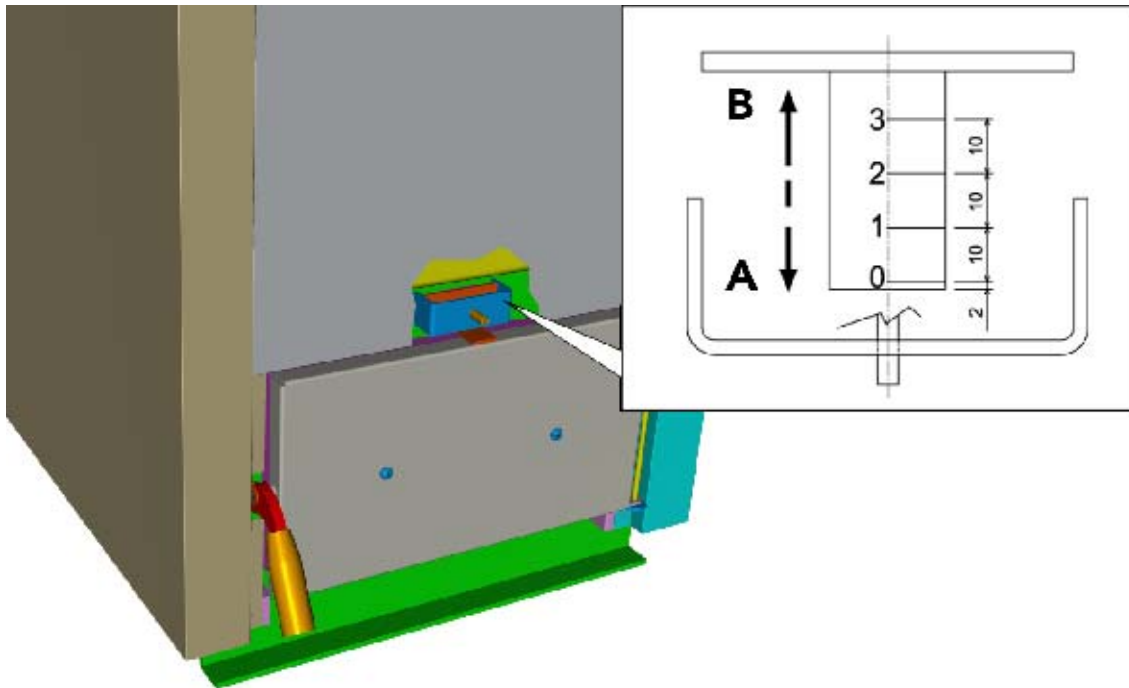


fig. 2 - Réglage de l'air secondaire

A Ouvert
B Fermé

- Bois gros humide de combustion difficile : fermer d'une encoche.
- Bois sec très inflammable : ouvrir d'une encoche ou plus.
- Lorsque la chaudière tend à souffler, à cause de combustible excessivement humide, fermer progressivement.

Réglage de la pression de l'installation

Contrôler périodiquement que l'installation est pleine d'eau. Ces contrôles doivent être effectués à froid, en vérifiant les vases d'expansion qui, si de type ouvert, doivent avoir l'eau au niveau initial, si de type fermé, doivent avoir une pression égale à celle de pré-charge de départ.



2. Installation

2.1 Dispositions générales

L'INSTALLATION DE LA CHAUDIÈRE DOIT ÊTRE EFFECTUÉE CONFORMÉMENT AUX TEXTES RÉGLEMENTAIRES ET RÈGLES DE L'ART EN VIGUEUR, SUIVANT LES INSTRUCTIONS DU CONSTRUCTEUR ET PAR UN PROFESSIONNEL QUALIFIÉ.

2.2 Emplacement

La chaudière doit être installée dans un local approprié, muni d'ouvertures d'aération vers l'extérieur en conformité avec les normes en vigueur. En présence de plusieurs brûleurs ou aspirateurs dans le même local qui fonctionnent simultanément, les ouvertures d'aération doivent être dimensionnées pour le fonctionnement de tous les appareils. Le lieu d'installation doit être exempt de tous objets ou matériaux inflammables, gaz corrosifs, poussières et substances volatiles qui peuvent être aspirés par le ventilateur. Le local d'installation du brûleur doit en outre être sec et à l'abri de la pluie, de la neige et du gel.



Un espace suffisant pour le démontage de l'habillage et pour les opérations d'entretien normales doit être prévu autour de l'appareil. En particulier, vérifier que, dans la partie avant de la chaudière, il y ait un espace suffisant pour le chargement du combustible.

2.3 Raccordements hydrauliques

La capacité thermique de l'appareil sera préalablement définie à l'aide d'un calcul des besoins caloriques de l'édifice, conformément aux normes en vigueur. L'installation doit comprendre tous les accessoires requis pour garantir un fonctionnement correct et régulier. Il est conseillé d'installer entre la chaudière et le circuit, des vannes d'arrêt permettant, au besoin, d'isoler la chaudière de l'installation.



L'évacuation de la soupape de sûreté doit être raccordée à un entonnoir d'écoulement, ou à une tuyauterie de récupération, pour éviter le dégorgement d'eau au sol en cas de surpression dans le circuit de chauffage. Dans le cas de non-respect de la règle ci-dessus, le fabricant de la chaudière ne sera pas retenu responsable si la soupape de sûreté devait intervenir et donc provoquer l'inondation de la pièce ou du local.

Ne pas utiliser les tuyauteries hydrauliques comme mise à la terre de votre installation électrique ou d'appareils électriques.

Avant l'installation, laver soigneusement toutes les tuyauteries de l'installation afin d'éliminer toutes les impuretés ou résidus risquant de compromettre le bon fonctionnement de l'appareil.

Effectuer les raccordements aux raccords prévus, comme indiqué au cap. 4 "Caractéristiques et données techniques" et conformément aux plaques des pictogrammes apposées sur l'appareil.

Caractéristiques de l'eau de l'installation

En présence d'une eau ayant un degré de dureté supérieur à 25° Fr (1°F = 10ppm CaCO₃), il est recommandé d'utiliser une eau spécialement traitée afin d'éviter toute incrustation éventuelle dans la chaudière. Le traitement ne doit pas réduire la dureté à des valeurs inférieures à 15°F (DPR 236/88, utilisation de l'eau destinée à la consommation humaine). Le traitement de l'eau utilisée s'impose également dans le cas de circuits d'installation très étendus ou d'appoints fréquents d'eau dans l'installation.

Système antigel, produits antigel, additifs et inhibiteurs

Si nécessaire, il est possible d'utiliser des liquides antigel, des additifs et des inhibiteurs, seulement et exclusivement si le producteur de ces liquides ou additifs fournit une garantie qui assure que ses produits sont appropriés à l'utilisation et ne provoquent pas de dommages à l'échangeur de la chaudière ou à d'autres composants et/ou matériaux de la chaudière et de l'installation. Il est interdit d'utiliser des liquides antigel, des additifs et des inhibiteurs non spécifiquement prévus pour l'utilisation dans des circuits thermiques et compatibles avec les matériaux composant la chaudière et le circuit.

2.4 Raccordement serpentin de sécurité (option)

Avec les chaudières, il est possible de recevoir un échangeur thermique (en option) de sécurité extérieur (circuit de refroidissement).

Dans les pays qui appliquent la norme EN 303-5, la chaudière doit disposer d'une installation permettant une sortie sûre de la chaleur en excès, sans énergie complémentaire. De cette manière, la température maximum de l'eau de la chaudière ne dépassera pas les 100 °C (protection anti-surchauffe).

La pression minimum d'alimentation de l'eau de refroidissement doit être de 2,0 bars. Un débit en volume d'au moins 10 l/min doit être disponible.

- Enlever la flasque "A" située dans la partie arrière de la chaudière.
- Monter le serpentin "N" en le fixant avec les 4 boulons.
- Monter la soupape de sûreté "P" sur la sortie du serpentin "N" en respectant le sens indiqué par la flèche. Insérer la sonde "Q" de la soupape dans la gaine spéciale "G". Relier l'entrée de l'eau directement sur le serpentin de sécurité. Relier la sortie à la soupape.

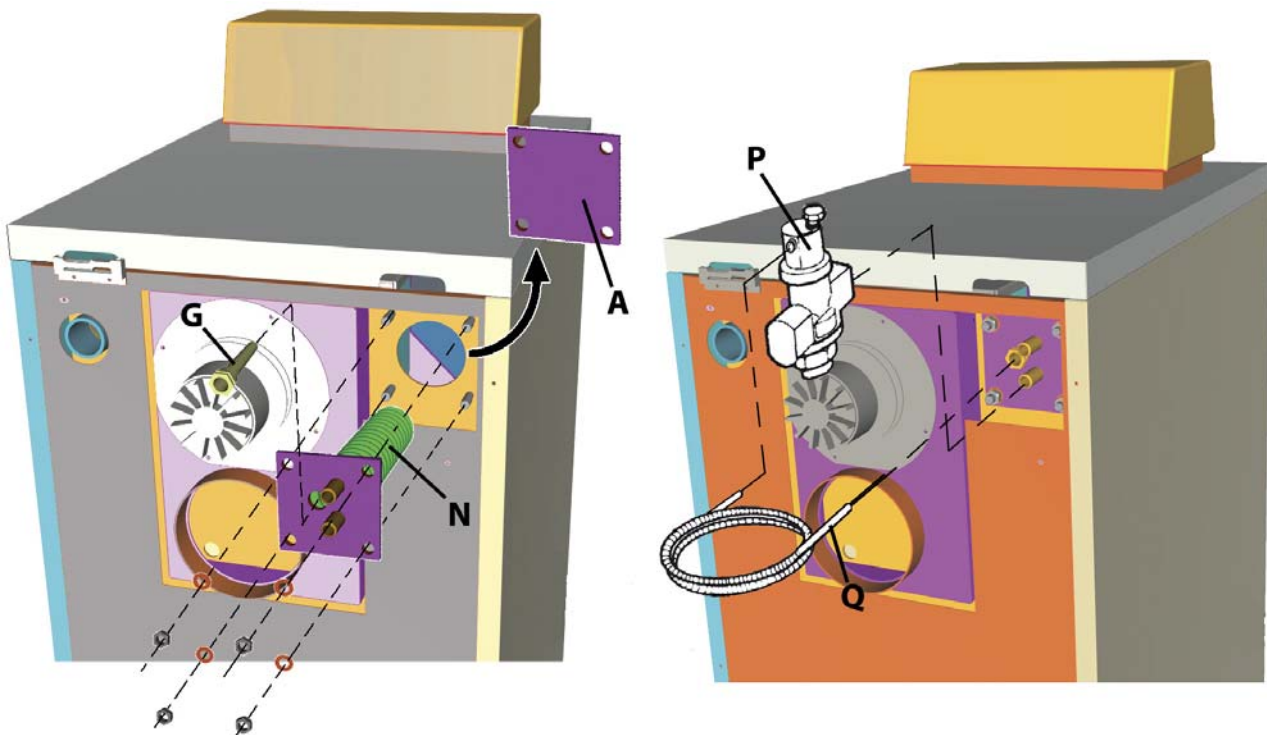


fig. 3 - Raccordement de l'échangeur thermique de sécurité



2.5 Branchements électriques

Montage panneau de commandes

1. Enlever le couvercle du panneau de commandes "P" en dévissant les deux vis latérales "V".
2. Amener les câbles du ventilateur "B", de la sonde "A" et du micro-interrupteur porte "C" comme indiqué sur fig. 4
3. Relier le câble ventilateur au bornier en respectant les couleurs indiquées sur fig. 5 et fixer le condensateur "R" avec le collier adhésif spécial.
4. Relier le câble du micro-interrupteur "C" aux bornes comme indiqué sur fig. 5.
5. Insérer la sonde "A" dans le puits spécial.

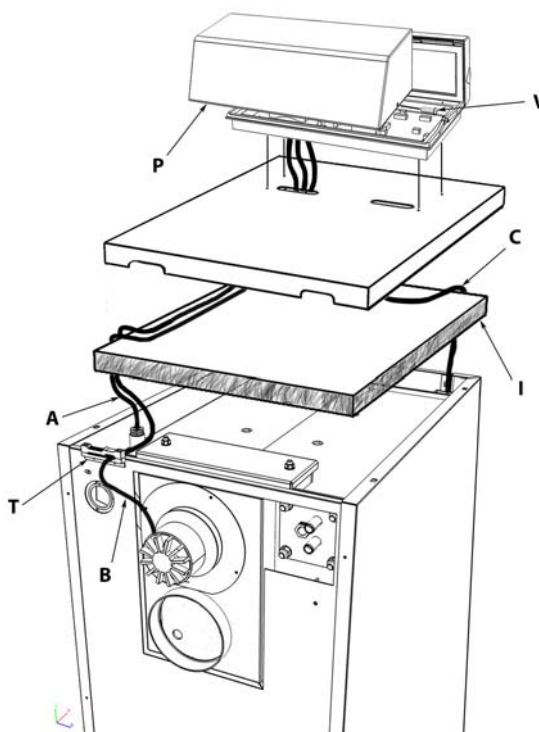


fig. 4 - Montage panneau de commandes

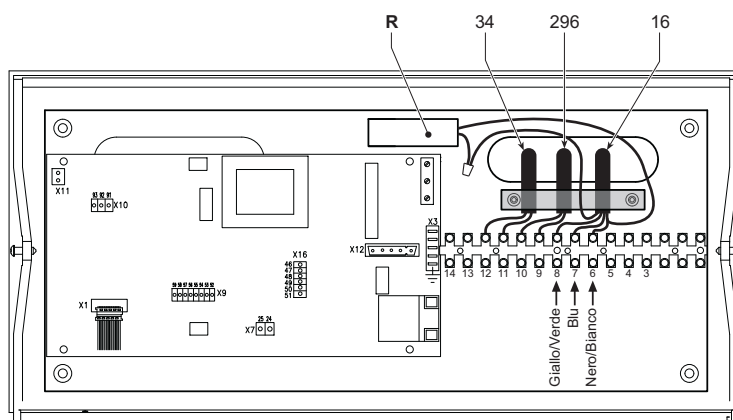


fig. 5 - Raccordement au bornier

- C** Condenseur
- 16** Ventilateur
- 34** Capteur de température chauffage
- 296** Micro-interrupteur porte

Raccordement au réseau électrique



La sécurité électrique de l'appareil ne peut être assurée que lorsque celui-ci est correctement raccordé à un dispositif de mise à la terre efficace conformément aux normes électriques en vigueur. Faire vérifier par un professionnel qualifié l'efficacité et la conformité du dispositif de mise à la terre. Le constructeur ne saur être tenu pour responsable des dommages éventuels découlant de l'absence de connexion de mise à la terre efficace. Faire vérifier que l'installation électrique est adaptée à la puissance maximale absorbée par l'appareil, indiquée sur la plaque signalétique de la chaudière.

La chaudière est précâblée; le câble de raccordement au réseau électrique est de type "Y" sans fiche. Les connexions au réseau électrique doivent être réalisées par raccordement fixe et dotées d'un interrupteur bipolaire avec une distance entre les contacts d'ouverture d'au moins 3 mm, en interposant des fusibles de 3A maximum entre la chaudière et la ligne. Il est important de respecter la polarité (LIGNE: câble marron / NEUTRE: câble bleu / TERRE: câble jaune-vert) dans les raccordements au réseau électrique. Lors de l'installation ou du remplacement du câble d'alimentation, la longueur du conducteur de terre doit être de 2 cm plus longue des autres.



Le câble d'alimentation de l'appareil ne doit pas être remplacé par l'utilisateur. En cas d'endommagement du câble, éteindre l'appareil et confier exclusivement son remplacement à un professionnel qualifié. En cas de remplacement du câble d'alimentation, utiliser exclusivement un câble "**HAR H05 VV-F**" 3x0,75 mm² avec diamètre extérieur de 8 mm maximum.

2.6 Raccordement au conduit de fumée

L'appareil peut être raccordé à une cheminée conçue et construite conformément aux normes en vigueur. Le conduit entre la chaudière et la cheminée doit être en matériau adapté à cette fonction, c'est-à-dire qu'il doit résister à la chaleur et à la corrosion. Il est recommandé de soigner l'étanchéité dans les points de jonction et de calorifuger toute la conduite entre la chaudière et la cheminée, pour éviter la formation d'eau de condensation.



3. Utilisation et entretien

Toutes les opérations de réglage, de mise en service et celles de contrôle périodique décrites ci-après doivent être effectuées par un professionnel qualifié (conformément aux textes réglementaires et règles de l'art en vigueur).

FERROLI Toute responsabilité contractuelle et extracontractuelle du constructeur est exclue pour les dommages causés par des erreurs dans l'installation et l'utilisation et, dans tous les cas, par le non-respect des instructions fournies par le constructeur.

3.1 Réglages

Réglage air secondaire

En phase de mise en service, il est opportun de vérifier l'étalonnage du dispositif de réglage de l'air secondaire.

Allumer la chaudière et effectuer le premier chargement avec le même combustible que celui qu'utilisera l'utilisateur final pour alimenter la chaudière.

Attendre que la chaudière soit stable.

A l'aide d'un analyseur de combustion, vérifier la teneur en CO dans les fumées. Si le contenu en CO est $> 0.5\%$, ouvrir progressivement le régulateur jusqu'à l'obtention d'une valeur de CO $< 0.5\%$.

N.B.: En ouvrant excessivement le régulateur de l'air secondaire, la chaudière peut avoir une combustion irrégulière (tendance à "souffler"). Dans ce cas, fermer le régulateur de 1/2 encoche - 1 encoche.

3.2 Mise en service



Vérifications à effectuer au premier allumage et après toutes les opérations d'entretien ayant occasionné des débranchements des installations ou des interventions sur des dispositifs de sécurité ou parties de la chaudière.

Avant d'allumer la chaudière

- Ouvrir les vannes d'arrêt éventuelles montées entre la chaudière et l'installation.
- Vérifier le prégonflage du vase d'expansion
- Remplir les tuyauteries et assurer l'évacuation complète de l'air dans la chaudière et les installations.
- Vérifier l'absence de fuites d'eau dans l'installation, dans les branchements ou dans la chaudière.
- Vérifier le raccordement de l'installation électrique et l'efficacité de fonctionnement de la mise à la terre.
- Vérifier l'absence de stockage de liquides ou de matériaux inflammables à proximité de la chaudière.

Vérifications en cours de fonctionnement

- Allumer l'appareil ainsi qu'il est décrit sez. 1.3.
- Vérifier l'étanchéité des circuits de l'eau.
- Contrôler l'efficacité de la cheminée et des conduits d'air/fumées pendant le fonctionnement de la chaudière.
- Vérifier que la circulation d'eau entre la chaudière et l'installation s'effectue correctement.
- Vérifier l'étanchéité des portes de chargement bois et de la chambre de combustion.
- Vérifier la combustion et l'étalonnage correct du dispositif de réglage de l'air secondaire.

3.3 Entretien

Avertissements



- Avant de procéder à n'importe quelle opération d'entretien, il est indispensable de déconnecter la chaudière et d'attendre qu'elle retourne à la température ambiante.
- Ne jamais décharger l'eau de l'installation, même si partiellement, si ce n'est pour des raisons absolument exceptionnelles.
- Ne pas nettoyer la chaudière et/ou ses parties avec des substances facilement inflammables (ex. essence, alcool, etc.).
- Ne pas laisser de récipients de substances inflammables dans la pièce où est installée la chaudière.
- Ne pas effectuer le nettoyage de la centrale thermique avec la chaudière en marche.
- Pour le nettoyage, utiliser des goupillons et des aspirateurs ; si l'on utilise des chiffons, vérifier qu'ils ne sont pas laissés à l'intérieur de la chaudière.

Entretien courant

Le dépôt de suie et de cendre sur les parois internes de la chaudière et sur les briques réfractaires réduit la transmission de la chaleur. Toutefois, durant son fonctionnement, la chaudière à gazéification de bois produit moins de cendre que la chaudière traditionnelle de chauffage.

Enlever la cendre de la chambre de combustion tous les 1-2 jours et dans tous les cas, avant qu'elle ne se remplisse complètement, afin de laisser assez d'espace pour la combustion.



Si la cendre est encore chaude, enfiler des gants de protection.

Transférer la cendre dans un récipient non inflammable muni de couvercle.

Au moins une fois par semaine, effectuer un nettoyage soigné :

- Ouvrir la porte de chargement et balayer les restes de la combustion du logement cendres à travers la fente présente entre les plaques du brûleur.
- Nettoyer les parois internes de la chambre de combustion avec une brosse.
- Eliminer la suie et la cendre de la chambre de combustion.
- Contrôler l'étanchéité parfaite de la fermeture de la porte. En outre, vérifier l'absence de coulées de goudron ou de condensation de la chambre fumée.



Ne pas nettoyer les plaques du brûleur avec une brosse métallique car elles pourraient s'endommager.

Entretien extraordinaire

Une fois par mois, effectuer le nettoyage des passages fumée :

- Enlever le couvercle supérieur de l'habillage
- Ouvrir la porte d'inspection située dans la partie arrière de la chaudière (voir fig. 6).
- Extraire les turbulateurs et, à l'aide d'un goupillon, nettoyer les passages fumée.

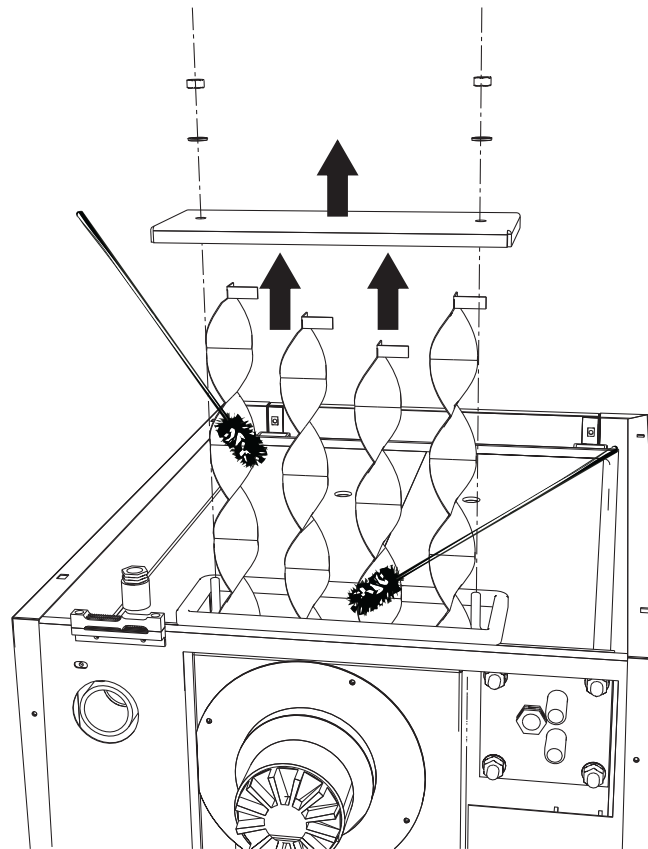


fig. 6 - Nettoyage passages fumée



Contrôle périodique

Pour un fonctionnement correct durable de l'appareil, il est nécessaire de faire effectuer par un professionnel qualifié un contrôle annuel qui prévoit les opérations suivantes :

- Contrôler et, si nécessaire, nettoyer la chaudière et les passages fumée comme indiqué au paragraphe précédent.
- Démonter le ventilateur d'extraction fumées et nettoyer l'hélice.
- Vérifier les conditions des plaques du brûleur.
- Vérifier l'étanchéité de la porte de chargement et du logement cendres ; si nécessaire, remplacer le joint.
- Les dispositifs de commande et de sécurité doivent fonctionner correctement.
- Le circuit d'évacuation des fumées doit être parfaitement efficace.
- Les conduits de fumée doivent être libres de tout obstacle et ne pas présenter de fuites.
- Le brûleur et l'échangeur doivent être en parfait état de propreté et détartrés. Pour le nettoyage, ne pas utiliser de produits chimiques ni de brosses en acier.
- La pression de l'eau dans l'installation à froid doit être d'environ 1 bar ; si ce n'est pas le cas, ramener la pression à cette valeur.
- La pompe de circulation ne doit pas être bloquée.
- Le vase d'expansion doit être gonflé.

3.4 Résolution des problèmes

Diagnostic

En cas d'anomalies ou de problèmes de fonctionnement, l'afficheur clignote et le code de l'anomalie apparaît.

Tableau 1 - Liste des anomalies

Code anomalie	Anomalie	Causes probables	Solution
E05	Anomalie au capteur de température chauffage	Capteur endommagé ou en court-circuit	Contrôler le câblage ou remplacer le capteur
E06	Anomalie au capteur de température chauffage	Capteur endommagé ou câblage interrompu	Contrôler le câblage ou remplacer le capteur

4. Caractéristiques et données techniques

4.1 Dimensions, raccords et composants principaux

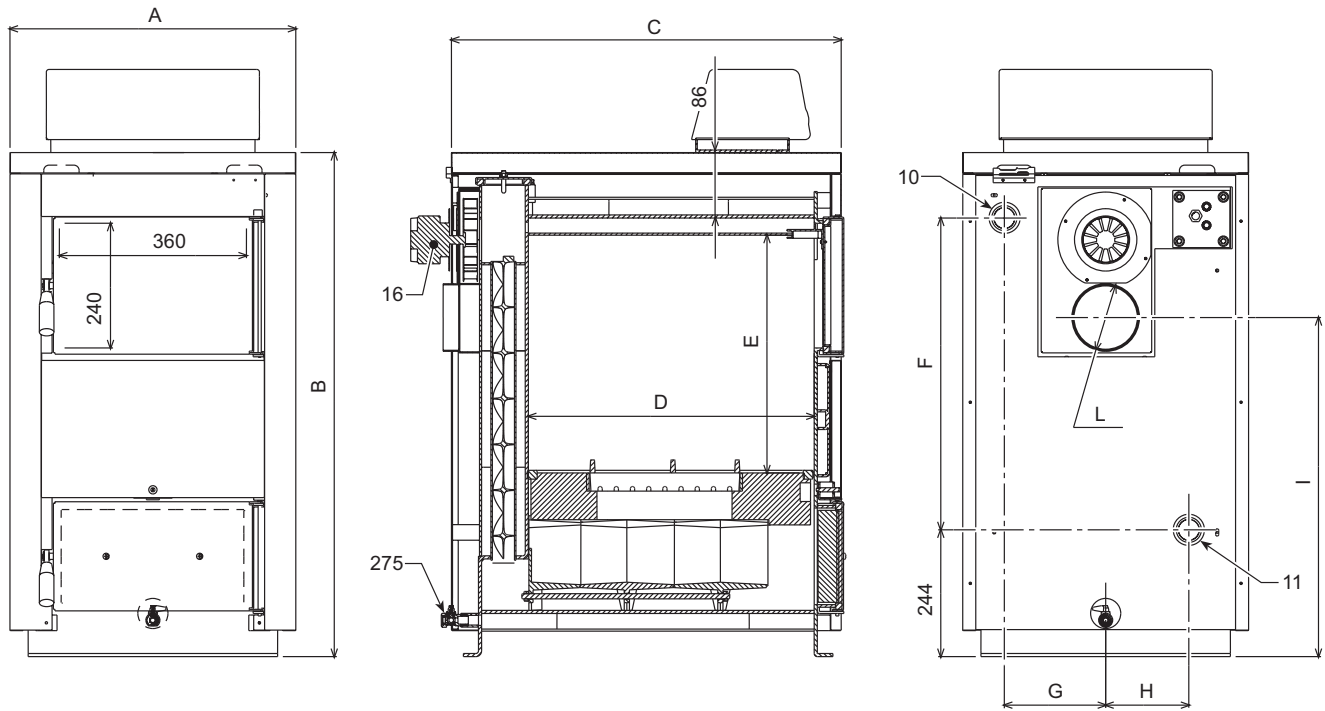


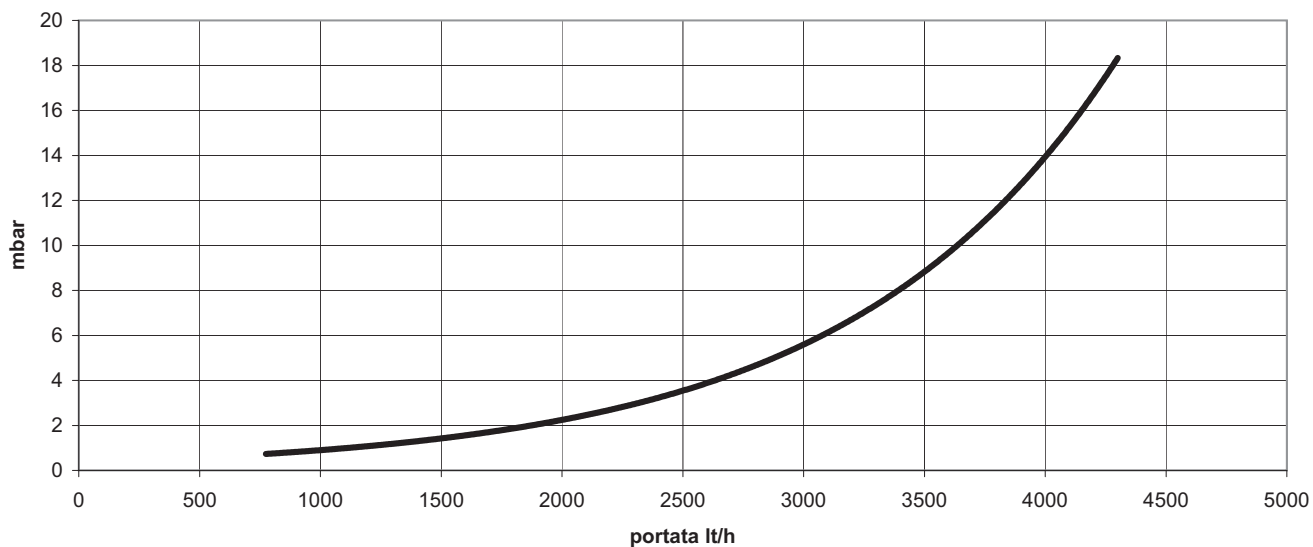
fig. 7 - Dimensions, raccords et composants principaux

Modèle	A	B	C	D	E	F	G	H	I	L (Ø)
Fg 30	550	970	750	550	457.7	600	195	160	652.5	130
Fg 40	550	1150	750	550	637.5	780	195	160	812	150
Fg 50	600	1150	930	730	627.5	780	220	185	812	150

Légende

- 10 Départ installation
- 11 Retour installation
- 16 Ventilateur
- 275 Evacuation eau installation

4.2 Perte de charge



4.3 Tableau des caractéristiques techniques

Modèle	Unité	Valeur	Valeur	Valeur	
		FG 30	FG 40	FG 50	
Capacité thermique maxi	kW	34.9	46.2	57.5	(Q)
Capacité thermique mini	kW	16.9	22.3	27.8	(Q)
Puissance thermique maxi chauffage	kW	30	40	50	(P)
Puissance thermique mini chauffage	kW	15	20	25	(P)
Rendement Pmax	%	86	86.5	87	
Rendement Pmin	%	89	89.5	90	
Pression d'exercice chauffage	bars	3	3	3	(PMS)
Poids à vide	kg	185	220	286	
Volume chambre de combustion	dm ³	100	140	200	

4.4 Schéma électrique

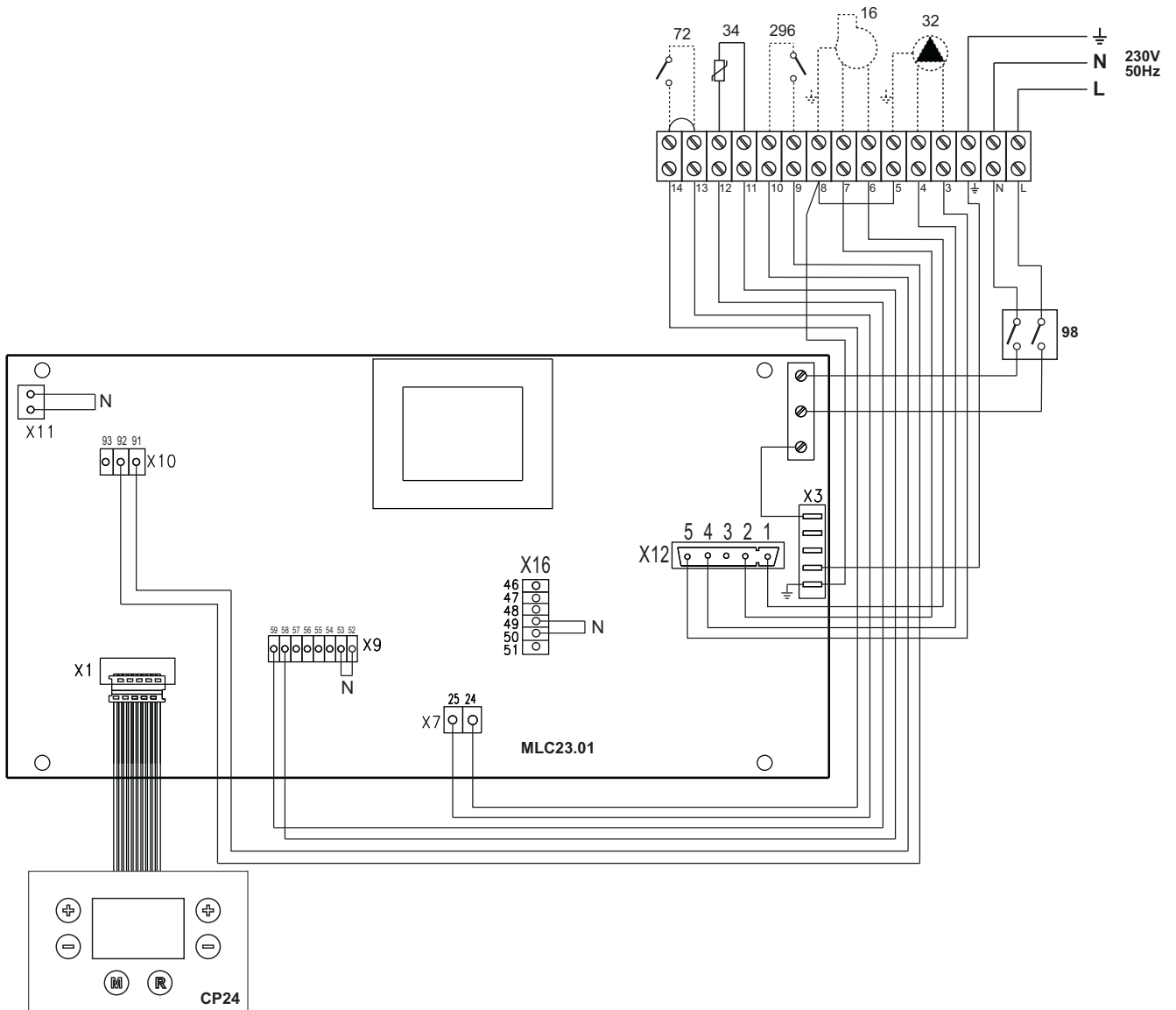


fig. 8 - Schéma électrique

- 16 Ventilateur
- 32 Circulateur circuit chauffage
- 72 Thermostat d'ambiance (non fourni)
- 34 Capteur de température chauffage
- 296 Micro-interrupteur porte





- Bu kullanım talimatı kitapçığında yer alan uyarıları dikkatlice okuyunuz. Bu uyarılar, emniyetli kurulum (yerleştirme), kullanım ve bakım hakkında önemli bilgiler vermektedir.
- Bu kullanma kitapçığı, bu ürünün tamamlayıcı ve temel parçası olup kullanıcı tarafından ileride müracaat edilmek üzere özenle saklanmalıdır.
- Eğer bu ünite bir başka kişiye satılır ya da aktarılırsa ya da eğer bu üniteyi taşır ya da bırakırsanız, bu kullanım kitapçığının üniteye eşlik etmesini sağlayınız, böylelikle yeni sahibi ve/veya kurarı tarafından bu bilgilere müracaat edilebilir.
- Kurulum ve bakım işlemleri; yürürlükteki standartlara ve de imalatçının talimatları uygun şekilde gerçekleştirilmeli ve mesleki açıdan kalifiye bir personel tarafından yerine getirilmelidir.
- Hatalı kurulum ya da yetersiz bakım; insanlara, hayvanlara ya da nesnelere zarar verebilir. İmalatçı (üretici), imalatçı tarafından sağlanan talimatlara uyulmamasından ve de uygulamadaki hatalardan kaynaklanan hasarlara karşı hiçbir sorumluluk kabul etmemektedir.
- Herhangi bir temizlik ya da bakım işlemlerini yerine getirmeden önce, sistem sivicini ve/veya karşı gelen açma kapama aygıtlarını kullanarak, cihazın şebeke güç kaynağı bağlantısını kesiniz.
- Cihazda arızaların meydana gelmesi ve/veya yetersiz çalışması durumunda, cihaz kapatılmalıdır. Cihazı, tamir etmeye kalkışmayınız. Sadece mesleki olarak kalifiye personel ile temasa geçiniz. Ürünlerin herhangi bir onarım-değiştirme işlemi, sadece mesleki olarak kalifiye personel tarafından ve sadece orijinal parçalar kullanılarak yerine getirilmelidir. Yukarıda yer alan koşula uygun hareket edilmemesi, ünitenin emniyetini tehlikeye sokabilir.
- Ünitenin iyi şekilde çalışmasını garanti altına almak için, bir kalifiye personel tarafından periyodik bir bakımının yapılması gereklidir.
- Bu cihaz, sadece özel olarak tasarlanmış olduğu amaçlar için kullanılmalıdır. Bunun dışındaki herhangi bir kullanım, yanlış ve bu nedenle tehlikeli olarak değerlendirilir.
- Ambalajını çıkardıktan sonra, içindekilerin tam olup olmadığını kontrol ediniz. Ambalaj parçaları, olası tehlike kaynağı olduğundan, çocukların erişebileceği yerlerde bırakılmamalıdır.
- Şüphede durumunda, cihazı kullanmayınız ve de sağlayıcıya dönünüz.
- Bu kılavuzda yer alan resimler, ürün hakkında basit bir sunum yapmak amacıyla verilmiştir. Bu verilmekte olan sunumlar ile temin edilen ürün arasında bazı ufak tefek ve önemsiz farklılıklar olabilir.

	Bu sembol “ Uyari ” isareti olup güvenlikle ilgili tüm uyarıların yanına konmalıdır. İnsanlara, hayvanlara ve nesnelere bir zarara gelmesini önlemek için bu tip kurallara tam olarak uyulmalıdır.
	Bu sembol, bir bilgi ya da önemli bir uyarıyı dikkate getirir.

Uygunluk beyanı

İmalatçı: FERROLI S.p.A.





Adres: Via Ritonda 78/a 37047 San Bonifacio VR

bu cihazın; aşağıda yer alan AET(EEC) yönergelerine uygunluk içinde olduğunu beyan etmektedir:

- Yönerge 73/23, Düşük Voltaj (93/68 nolu direktifle degisiklige ugratildi)
- 89/336 Elektromanyetik Uygunluk Yönetmeliği (93/68 ile degisiklik yapılmıştır)

Baskan ve yasal temsilci
İş. Dep.
Dante Ferrolli

CE

1 Kullanma talimatları	36	
1.1 Giriş	36	
1.2 Komut paneli	36	
1.3 Açma ve kapatma	37	
1.4 Ayarlamalar	38	
2 Kurulum	40	
2.1 Genel talimatlar	40	
2.2 Kurulum yeri	40	
2.3 Su bağlantıları	40	
2.4 Spiral emniyet bağlantısı (opsiyonel)	41	
2.5 Elektrik bağlantıları	42	
2.6 Bacaya bağlantı	43	
3 Servis ve bakım	44	
3.1 Ayarlamalar	44	
3.2 Servise alma	44	
3.3 Bakım	44	
3.4 Sorunların giderilmesi	46	
4 Özellikler ve Teknik Veriler	47	
4.1 Boyutlar, bağlantılar ve ana bileşenler	47	
4.2 Yük kaybı	48	
4.3 Teknik veriler tablosu	48	
4.4 Elektrik şeması	49	



1. Kullanma talimatları

1.1 Giriş

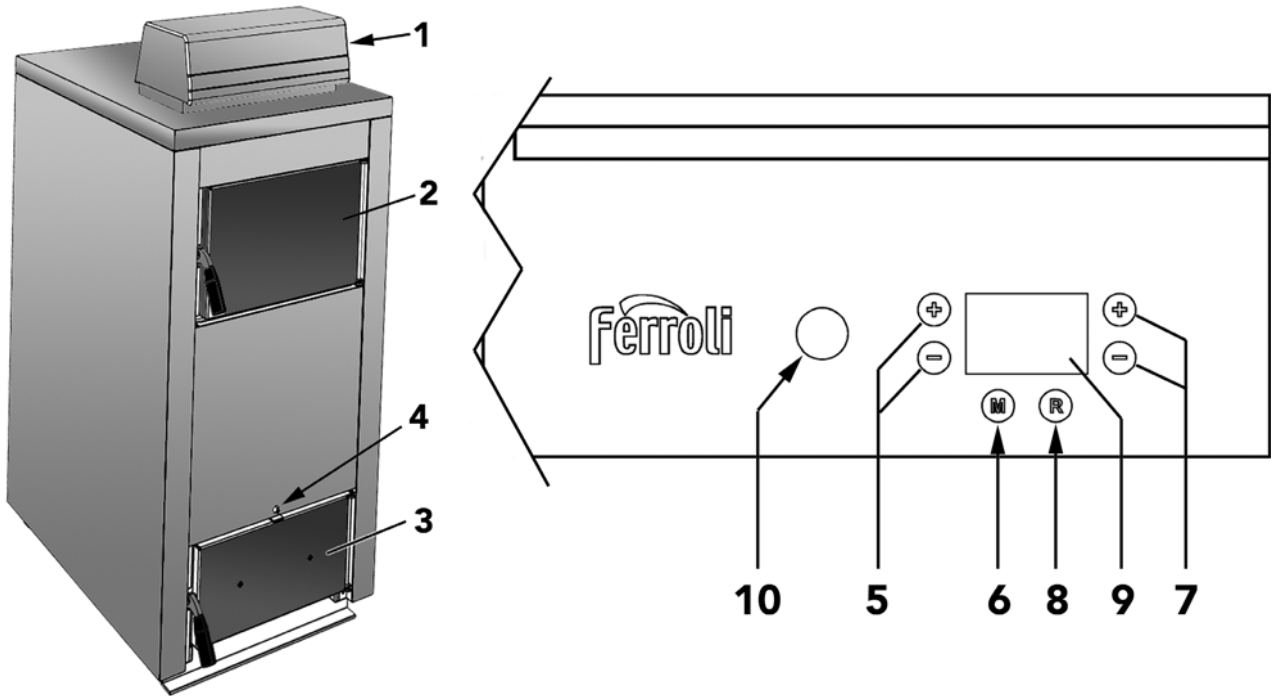
Sayın Müşteri,

Gelişmiş tasarım, en son teknoloji, yüksek güvenilirlik ve de kaliteli yapım içeren, duvara monte **FERROLI** kombiyi seçtiğiniz için teşekkür ederiz. Bu kullanım talimatı kitapçığında yer alan uyarıları dikkatlice okuyunuz, çünkü bunlar emniyetli kurulum (yerleştirme), kullanım ve bakım hakkında önemli bilgiler vermektedir.

FG Bu, odunla çalışan bir tam gazlandırılmalı çelik kombidir. Odunun yavaş tüketilmesini ve dolayısıyla uzun süre bağımsız çalışma avantajını sağlayan ters alevli yanma ilkesinden faydalanır. Kombinın arka kısmında bulunan değişken hızlı vantilatör sayesinde yanma düşük basınçta olur; Özel bir ızgara üzerine yerleştirilmiş depoda yanan odun, yukarıdan gelen birincil yanma havası akışının ve ayırma ızgarasından geçirilerek enjekte edilen ikincil dengeli yanma havası akışının belirlediği yüksek sıcaklık sayesinde, selülozu yanma odasında metaninkine benzer bir alevle %85'ten daha yüksek bir verimle yanabilecek daha basit bileşiklere dönüştüren özel bir yanma şekli üretir. Odun yüklenme aşamasında, kapağın açılması esnasında dumanın dışarıya çıkmasını önlemek için fan devreye girer.

Dış muhafaza, kombi gövdesinin optimum izolasyonunu sağlamak için cıvalı, yalıtkan, içi mineral yünlü çelik panellerden yapılmıştır. İstek üzerine aşırı sıcaklığı azaltmak için bir emniyet eşanjörü de yerleştirilebilir.

1.2 Komut paneli



şek. 1 - Kontrol paneli

Açıklamalar

- | | | | |
|---|---|----|---|
| 1 | Komut paneli | 6 | M tuşu, Yaz/Kış ayarı değiştirme "Modu" |
| 2 | Odun yükleme kapısı | 7 | Parametreleri değiştirme (+ -) tuşları |
| 3 | Kül odası/yanma odası kapısı | 8 | Konfigürasyon menüsüne erişim tuşu (R) |
| 4 | Yanma havası ayarı | 9 | Gösterge |
| 5 | Isıtma sıcaklığı ayarlama (+ -) tuşları | 10 | Çalıştırma sivici |

Çalışma esnasında gösterge sistem çıkış sıcaklığını görüntüler

1.3 Açma ve kapatma

Yakıt

Kombi sadece doğal ve işlenmemiş odun ile çalıştırılmalıdır. Kütük uzunlukları FG30 ve FG40 modelleri için 50 cm, FG50 modeli için 70 cm olabilir. Tamamen ahşap oldukları takdirde presli ve kalıplanmış yakıtlar da kullanılabilirler.



Plastik veya sıvı atıkların yakılması zehirlenme, ölüm veya patlamaya yol açabilecek zehirli yanıcı gazların ortaya çıkmasına neden olabilir.

- Sadece belirtilen yakıtları kullanınız.
- Patlama, yanıcı gaz veya kaçak tehlikesi bulunması durumunda kombiyi servis dışı bırakınız.
- Kombi sadece çalışma talimatlarını bilen yetişkin kişiler tarafından çalıştırılmalıdır.
- Kullanıcının sadece, kombiyi çalıştırma, ısıtma sıcaklığını ayarlama, kombiyi servis dışı bırakma ve temizleme yetkisi vardır.
- Çocukların kontrolünüz dışında kombiye yaklaşımlarını engelleyiniz.
- Kombi ayarlarını yükseltmek için sıvılar yakmayınız ya da kullanmayınız.
- Kombi yüzeyini sadece yanmaz maddelerle temizleyiniz.
- Kombi üzerine ya da yakınına yanıcı nesnelere koymayınız.
- Kombininin kurulum odasına yanıcı materyaller koymayınız (örn. odun, kağıt, benzin, mazot).

Yapısı, nemlilik derecesi, şekli ve boyutları itibarıyla odun heterojen bir yakıttır. Kombininin sıcaklık randımanı kullanılan odun tipinden, nemlilik derecesinden bunun yanında yakıtın yüklenme ve parçalanma şekliyle etkilenir. Optimum kalitedeki odunlar meşe, dişbudak, kayın, akçaağaç ve vişne dışındaki meyve ağaçlarının odunlarıdır, iyi kalitedeki odunlar kestane, huş ağacı odunları, yeterli kalitedekiler ıhlamur, kavak ve söğüt ağacı odunlarıdır. Reçineli ağaçlar vasat yakıtlardır. Odunun nemlilik derecesi arttıkça ısı gücü düşer. Nemli yakıtların kullanılması randıman kaybına yol açar. Odunu doğal koşullarda güneşte kurutulmuş kütükler halinde kullanınız (2 yıl süresince maksimum %20 nem koşulunda depolanmış).

Kombinin yakılması

- Alt kapağı açınız ve yanma odasında bulunması muhtemel külleri temizleyiniz. Alt kapağı tekrar kapatınız.
- Cihazın elektrik beslemesini açınız. Ateşleme sivicini ON pozisyonuna getiriniz.
- Üst kapağı açınız. Brülör tablasına bir miktar kağıt ile kuru ve ince odun koyunuz.
- Yakınız ve biraz daha büyük ebatlarda birkaç odun parçası daha ekleyiniz.
- Kapıyı kapatınız ve ilk kor yatağı oluşana kadar bekleyiniz.
- Odun deposunda biriken dumanın fan tarafından çekilmesini sağlamak için üst kapıyı yavaşça açınız.
- Kolları bir ocak süngüsü yardımıyla tabla üzerinde eşit şekilde dağıtınız.
- Ana taş üzerinde kor yatağı oluştuktan sonra odun yüklemesi yapınız.

Odun yükleme

- FG30 ve FG40 modelleri için 50 cm ve FG50 modeli için 70 cm uzunlukta olacak şekilde odun yükleyiniz.
- İyi bir yanma sonucu için odunun eşit seviyede alçalması gerektiğinden konulan parçaların uzunluklarının, biçimlerinin ve yüklenme şekillerinin yakıtın eşit seviyede inmesini engellemediğinden emin olunuz. Parçalar yatay veya dikey olarak dizilebilirler. Parçaların hiç biri eğik veya çapraz yerleştirilmemelidir.
- Yeni bir odun yüklemesi yapmadan önce daha öncekini mümkün olduğunca tüketmeye çalışınız.
- Yeni yükleme, depo içerisindeki kor yatağı kalınlığı yaklaşık 5 cm'ye düşünce yapılabilir.
- Üst yükleme kapısını yavaşça açınız.
- Daha önce açılan yeni odun yükünü yerleştiriniz.



- Çok uzun parçalar düzgün düşmezler ve depo içerisinde boşluk ve yanmamış odun bölgeleri oluştururlar.
- Çok kısa parçalar düzensiz hava geçitleri oluşturarak güç ve randıman düşüklüğüne neden olurlar
- Puflamayı ve duman oluşumunu engellemek için üst kapıyı yavaşça açınız
- Çalışma esnasında alt kapının açılması kesinlikle yasaktır.
- Yükleme aşamasında üst kapıyı uzun süre açık tutmaktan kaçınınız.
- Düşük ayarlarda çalıştırma durumunda damıtılmış gazlar oluşabilir ve soldukları takdirde duman zehirlenmesine yol açabilirler.
- Yoğun duman gördüğünüz takdirde solumayınız.
- Soluk aldığınız yerin iyi şekilde havalandırıldığına dikkat ediniz.
- Kombiyi ve gaz tahliye yollarını tavsiye edildiği şekilde temizleyiniz.



Kombinin söndürülmesi

Kombiyi söndürmek için yakıtın tümünün yanmasını bekleyiniz.

Kısa süreli söndürme

Kısa süreli söndürme için açma sivicini yakıt tükendikten ve kombi soğuduktan sonra OFF konumuna getiriniz.

- Yükleme kapısının ve yükleme odasının tutma yerlerini temizleyiniz.
- Külü çıkarınız ve yanma odasını temizleyiniz.
- Kül odasının kapısını ve yükleme kapısını kapatınız.

Uzun süreli söndürme

Kombiyi uzun süre servis dışı bırakmak için (örn. soğuk dönem sonunda) aşınmayı önlemek bakımından kombiyi iyice temizleyiniz.



Kış mevsiminde uzunca süre boyunca kombinin kapalı kalması durumunda, donmadan korumak için kombideki suyun tahliye edilmesi önerilmektedir veya sez. 2.3 kısmında açıklandığı gibi ısıtma sistemine uygun bir antifriz ekleyiniz.

1.4 Ayarlamalar

Yaz/Kış Ayarı Değişikliği

Yaz/Kış ayarı değişikliği için **M** tuşuna basınız.

Isıtma sıcaklığı ayarı

Sistem çıkış sıcaklığını ayarlamak için **+** ve **-** (kısım 5 şek. 1) tuşlarını kullanınız.

Kontrol sistemi fanın hava debisini ve ayarlı sıcaklığın elde edilmesi ve muhafazası için gerekli yanma hızını ayarlar.



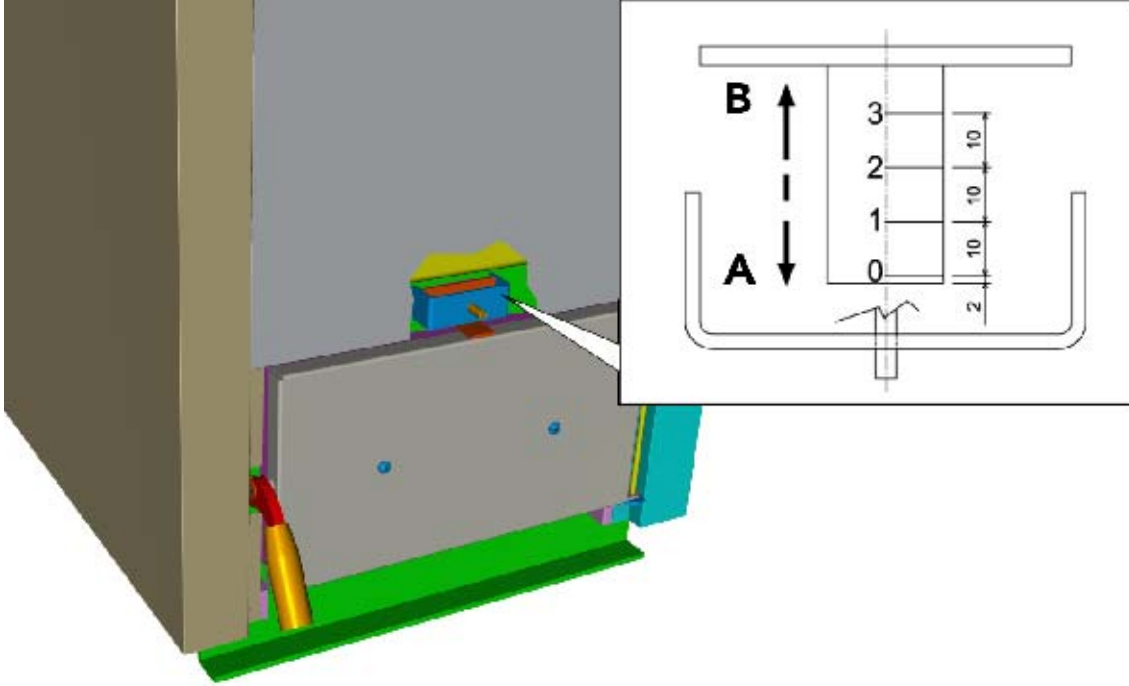
Kombi su sıcaklığının çok düşük olması halinde kombi içerisinde katran oluşur ve 65 °C'den daha düşük sıcaklıklarda yanma odasında su yoğunlaşması olur.

Kombinin sık aralıklarla 65 °C altında işletilmesi kombi ömrünü önemli derecede azaltır.

Kombideki su sıcaklığının 80 - 90 °C arasında sabit kalmasına özen gösteriniz.

İkincil hava ayarı

Kombinin arka tarafında bulunan duman çekme fanı birincil yanma havasını besler. Kombi, ön-kalibrasyonu fabrikada yapılmış ve ilk çalıştırma aşamasında yanma analizörü yardımıyla denetlenen bir ikincil hava ayarlama cihazı ile donatılmıştır. Müteakiben, ayarlama vidası vasıtasıyla ikincil hava akışının yakıt tipi ve kalitesine göre ayarlanması mümkündür.



şek. 2 - İkincil hava ayarı

- A** Açık
B Kapalı

- İri, nemli ve yanması zor odun: 1 derece düşürünüz
- Çok yanıcı kuru odun: 1 derece veya daha fazla yükseltiniz
- Odunun çok nemli olması nedeniyle kombinin pufaması halinde dereceyi aşamalı olarak düşürünüz.

Sistem basıncı ayarlaması

Sistemin su ile dolu olup olmadığı düzenli aralıklarla kontrol edilmelidir. Bu kontroller soğuk şartlarda, şayet genleşme kapları açık tipte iseler su seviyesinin başlangıç seviyesinde olup olmadığı, kapalı tipte iseler basıncın başlangıç noktasındaki ön-dolum basıncı ile aynı olup olmadığı denetlenerek yapılmalıdır.



2. Kurulum

2.1 Genel talimatlar

KOMBİ, BU TEKNİK KULLANIM KİTAPÇIĞINDA BELİRTİLMEKTE OLAN BÜTÜN TALİMATLARA, YÜRÜRLÜKTE OLAN İLGİLİ ULUSAL STANDARTLARA VE YEREL TÜZÜKLERE UYGUN BİR ŞEKİLDE, İŞÇİLİK KURALLARINA TAM OLARAK UYGUNLUK İÇİNDE VE SADECE KALİFİYE BİR PERSONEL TARAFINDAN MONTE EDİLMELİDİR.

2.2 Kurulum yeri

Kombi, dışarıya havalandırma açıklıkları olan uygun mekanlara, yürürlükte bulunan standartlara göre monte edilmelidir. Aynı mekânda ve aynı anda çalışacak birden fazla brülör veya aspiratör varsa, havalandırma açıklıkları tüm cihazların birlikte çalışmasına olanak sağlayacak şekilde boyutlandırılmalıdır. Cihazın monte edileceği yerin alev alıcı madde ve nesnelere, aşındırıcı gazlardan, fan tarafından çekildiğinde tıkanma yapabilecek toz veya uçucu maddelerden arıtılmış olması gerekmektedir. Ortam kuru olmalı ve yağmur, kar ya da ayaza maruz kalmamalıdır.



Cihazın etrafında, muhafazanın çıkartılabilmesi için ve normal bakım işleri için bir açıklık bırakılmalıdır. Kombinin ön tarafında yakıt yüklemesi için yeterli alan olmasına dikkat ediniz

2.3 Su bağlantıları

Cihazın ısıtma kapasitesi, mevcut tüzüklere göre binanın/evin ısı gereksinimini daha önceden hesaplamak suretiyle ayarlanmalıdır. Sistem, doğru ve düzenli bir çalışma için gerekli tüm bileşenlerle donatılmış olmalıdır. Eğer gerekirse, kombinin sistemden izolasyonunu sağlayabilmek amacıyla kombi ile ısıtma sistemi arasına bir açma-kapama valfinin monte edilmesi önerilebilir.



Isıtma devresinde bir aşırı-basınç olması durumunda suyun zemin üzerine dökülmesini önlemek amacıyla emniyet valfi çıkışı, bir bacaya veya toplama borusuna bağlanmalıdır. Eğer bunu yapamıyorsanız, tahliye valfi hata verir ve odayı su basar, bu durumdan üretici şirket sorumlu tutulamaz.

Elektrikli cihazları topraklamak amacıyla su sistemini asla kullanmayınız.

Cihazın iyi bir şekilde çalışmasını etkileyebilecek olan kalıntı veya birikintileri çıkarmak için montaj işleminden önce sistemin/tesisatın bütün borularını dikkatli bir şekilde yıkayınız.

Bağlantıları, ilgili bağlantı noktalarına cap. 4 "Özellikler ve Teknik Veriler" kısmında belirtildiği gibi ve cihaz üzerinde belirtilen sembollere riayet ederek yapınız.

Sistem suyunun özellikleri

Suyun 25° Fr sertlik derecesinden (1°F = 10ppm CaCO₃) daha sert olması halinde, kombide sert suyun sebep olduğu kireç oluşumlarını önlemek amacıyla uygun su kullanımını öneririz. Ancak, yapılan işlemin su sertliğini sertliği 15°F' nin altında bir değere düşürmemesi gerekmektedir (DPR 236/88 - İnsanların su tüketimine yönelik kullanımlar için). Çok büyük sistemlerde veya sistemde suyun çok sık bir şekilde yeniden ikmal edildiği durumlarda suyu işlemekten geçirmek gerekmektedir.

Anti-friz sistemi, anti-friz sıvısı, eklentiler ve inhibitörler

Eğer gerekirse, anti-friz sıvısının, kimyasal ek/katkı maddelerinin ve inhibitörlerin kullanımına (eğer bu sıvıların veya kimyasal katkı maddelerinin üretici şirketi, bu ürünlerin bu amaç için kullanımının uygun olduğunu ve bunların ısı eşanjörüne veya diğer bileşenlere ve/veya kombi ünitesi ile sistemin aksamlarına zarar vermeyeceğini garanti ediyorsa) izin verilebilir. Isıtma sistemlerinde kullanılmalarının uygun olduğu ve kombi ünitesi ile sistemlerinin aksamaları ile uyumlu olduğu açıkça beyan edilmeyen normal/sıradan anti-friz sıvılarının, kimyasal ek maddelerin veya inhibitörlerin kullanılması yasaktır.

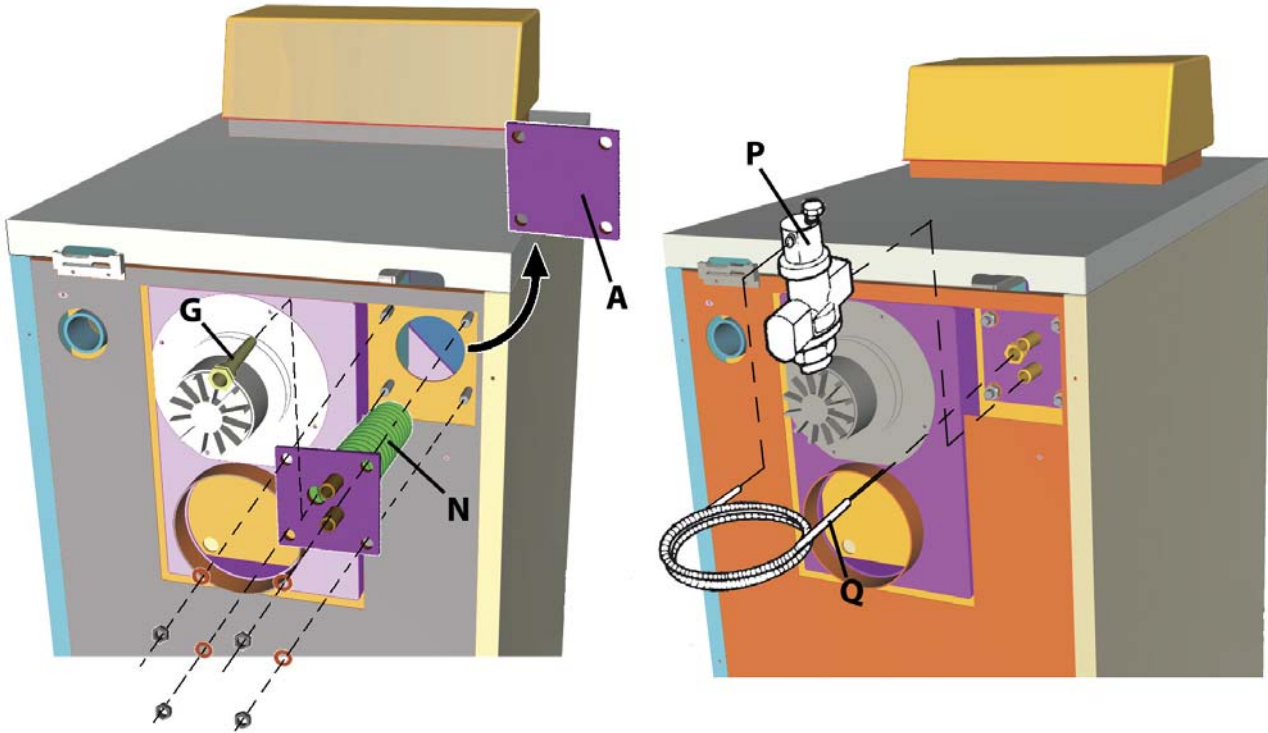
2.4 Spiral emniyet bağlantısı (opsiyonel)

Kombi ile birlikte harici emniyet (soğutma devresi) ısı eşanjörü (opsiyonel) almanız da mümkündür.

EN 303-5 standardını uygulayan ülkelerde kullanıldığı takdirde kombi fazla ısının tahliyesini enerji takviyesi gerektirmeden emniyetli şekilde sağlayan bir sistemle donatılmalıdır. Bu şekilde kombi suyunun maksimum sıcaklığı 100 °C'yi aşmayacaktır (aşırı ısınmaya karşı koruma).

Soğutma suyu beslemesinin minimum basıncı 2,0 bar olmalıdır. En az 10 lt/dak değerinde bir debi hacmi mevcut bulunmalıdır.

- Kombine arkasında bulunan flanşı "A" çıkarınız.
- Spirali 4 cıvata ile (N) sabitleyiniz.
- Emniyet valfini "P" spiral çıkışına "N" ok ile gösterilen yönde takınız. Valf sensörünü "Q" özel kılıfına yerleştiriniz "G". Su girişini direk olarak emniyet spiraline bağlayınız. Çıkışı valfa bağlayınız.



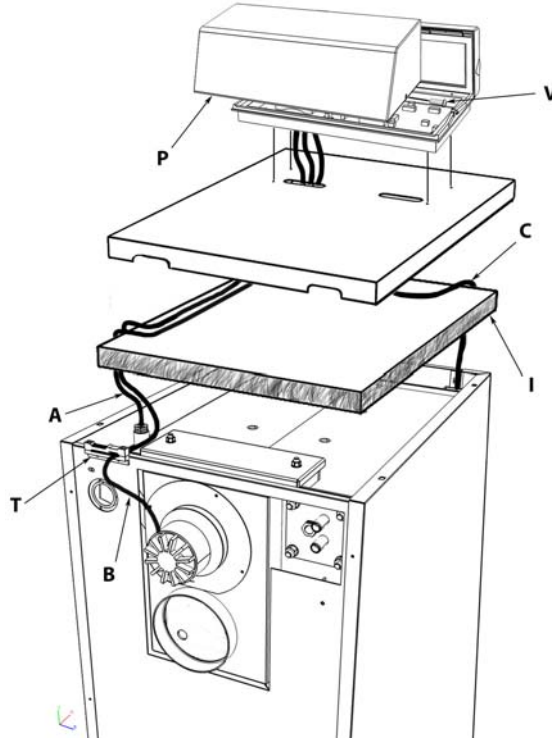
şek. 3 - Emniyet ısı eşanjörünün bağlanması



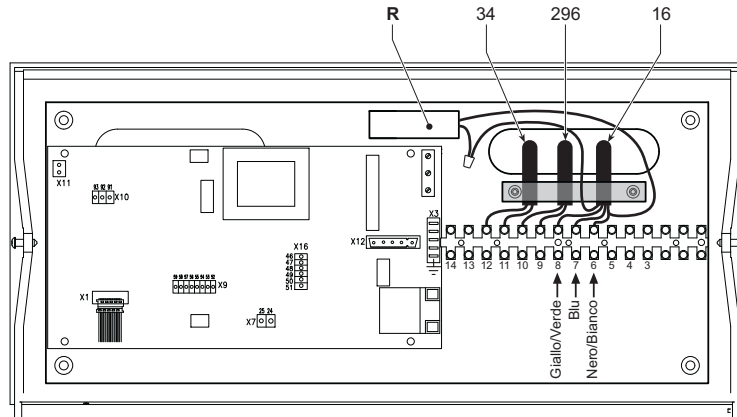
2.5 Elektrik bağlantıları

Kontrol panelinin montajı

1. Yan kısmındaki iki vidayı "**V**" sökerek kontrol paneli kapağını "**P**" çıkarınız.
2. Fan kablolarını "**B**", sensöre "**A**" ve kapak mikro-sivicine "**C**" gösterildiği gibi geçiriniz. şek. 4
3. Fan kablosu bağlantısını şek. 5 de gösterilen renklere riayet ederek yapınız ve kondansatörü "**R**" özel yapışkan şerit ile sabitleyiniz.
4. Mikro-siviç kablosunu "**C**" klemense şek. 5'de gösterildiği gibi bağlayınız.
5. Sensörü "**A**" yuvasına yerleştiriniz.



şek. 4 - Kontrol panelinin montajı



şek. 5 - Terminal bağlantısı

- C** Kondansatör
16 Vantilatör (Fan)
34 Isıtma sıcaklığı sensörü
296 Kapak mikro-sivici

Elektrik şebekesine bağlantı



Cihazın elektriksel güvenliği sadece, eğer mevcut standartlara uygun bir şekilde verimli ve etkin topraklama sistemine doğru bir şekilde bağlanırsa garanti edilmektedir. Mesleki açıdan kalifiye bir personele, topraklama sisteminin verimliliğini ve de uygunluğunu kontrol ettiriniz; imalatçı, topraklama sistemindeki arıza nedeniyle meydana gelecek hasarlardan dolayı sorumlu olmayacaktır. Aynı zamanda, elektrik sisteminin, kombi bilgi levhasında belirtilen, alet tarafından maksimum (en yüksek) çıkış gücüne uygun şekilde ayarlı olup olmadığını da kontrol ediniz.

Kombinin elektrik kablolarının tesisatı önceden yapılmış ve elektrik hattına bağlantı için bir Y-kablo ve de fiş ile birlikte temin edilmiştir. Ana bağlantılar kalıcı bir bağlantı şekliyle yapılmalı ve minimum açıklığı en az 3 mm olan kontaklara sahip bir tek-kutuplu siviç ile donatılmalı ve kombi ile hat arasına maksimum 3A değerinde bir ara sigorta yerleştirilmelidir. Elektrik bağlantılarında kutupların doğru olmasına dikkat edilmelidir (FAZ: kahverengi kablo / NÖTR: mavi kablo / TOPRAK: sarı - yeşil kablo). Montaj işlemi esnasında veya güç kablosunu değiştirirken, topraklama kablosu diğer kablolarla göre 2 cm daha uzun bırakılmalıdır.



Kullanıcının cihazın güç kablosunu asla değiştirmemesi gerekmektedir. Eğer kablo hasar görürse, cihazı kapatınız ve bu kablonun sadece profesyonel açıdan kalifiye bir eleman tarafından değiştirilmesini sağlayınız. Eğer elektrik güç kablosunu değiştirecekseniz, sadece maksimum dış çeper çapı 8 mm olan bir "HAR H05 VV-F" 3x0.75 mm² kablosunu kullanınız.

2.6 Bacaya bağlantı

Cihaz, yürürlükteki standartlara uygun bir şekilde projelendirilmiş ve tesis edilmiş bir baca yoluna bağlanacaktır. Kombi ve baca arasındaki kanal yolu (boru), amaca uygun yani ısıya ve aşınmaya dayanıklı bir malzemeden olmalıdır. Bağlantı noktalarında sızdırmazlığı sağlamak ve yoğunlaşma oluşumunu engellemek için, kombi ile baca arasında yer alan kanalın tümünün termik olarak izole edilmesi önerilir.



3. Servis ve bakım

Açıklanan tüm ayarlama, servise alma ve periyodik kontrol işlemleri, sadece Kalifiye bir Personel (yürürlükteki standartların öngördüğü profesyonel teknik gereklilikler hakkında bilgi sahibi olan bir personel) tarafından gerçekleştirilmelidir.

FERROLI cihazın yetkisiz kişiler tarafından kurulanmasından kaynaklanan insanlara ve/veya eşyalara gelebilecek her tür hasardan dolayı hiçbir sorumluluk kabul etmez.

3.1 Ayarlamalar

İkincil hava ayarı

İşletime geçirme esnasında ikincil hava ayarı cihazının kalibrasyonunun kontrol edilmesi gerekir.

Kombiyi yakınız ve son kullanıcı tarafından yüklenecek yakıt tipini kullanarak ilk yüklemeyi gerçekleştiriniz.

Kombinin stabilize edilmesi için bekleyiniz.

Yanma ürünleri analizörü vasıtasıyla, dumandaki CO₂ değerini kontrol ediniz. CO içeriği > 0.5% ise CO < 0.5% değerini elde edene kadar regülatör derecesini aşama aşama yükseltiniz.

N.B.: İkincil hava regülatörü derecesinin gereğinden fazla yükseltilmesi kombinin yanma işlemini düzgün yapmamasına neden olabilir ("puflama" eğilimi). Böyle bir durumda, regülatör derecesini 1/2 derece - 1 derece düşürünüz.

3.2 Servise alma



İlk çalıştırma anında ve sistemden bağlantının kesilmesi veya emniyet cihazlarında ya da kombinin diğer aksamalarında bir bakım işleminin de dahil olduğu tüm bakım işlemlerinden sonra yapılacak kontroller.

Kombiyi yakmadan önce

- Kombi ile sistem arasındaki açma-kapama valflerinden herhangi birisini açınız.
- Genleşme tankı ön-dolum basıncının doğru olduğundan emin olunuz
- Su ünitesini doldurunuz ve kombi ile sistem içerisinde bulunan tüm havanın boşaltılmasını sağlayınız.
- Ünitelerde, bağlantılarda veya kombide herhangi bir su kaçağı olmadığından emin olunuz.
- Elektrik sisteminin doğru bir şekilde bağlanmış olduğundan ve topraklama sisteminin işlevsel olduğundan emin olunuz
- Kombinin yakınlarında alev alıcı özellikte sıvılar veya malzemeler olmadığından emin olunuz

İşletim anındaki kontroller

- Cihazı sez. 1.3'de belirtildiği gibi çalıştırınız.
- Su sistemlerinin hava sızdırmazlığını kontrol ediniz.
- Kombi çalışırken, baca borusunun ve hava-duman kanallarının etkinliğini kontrol ediniz.
- Kombi ile sistemler arasında suyun doğru bir şekilde devir-daim edip etmediğini kontrol ediniz.
- Odun yükleme ve yanma odası kapılarının sızdırmazlığını kontrol ediniz.
- Yanma işlemini denetleyiniz ve ikincil hava ayarlama cihazının kalibrasyonunun doğruluğunu kontrol ediniz.

3.3 Bakım

Uyarılar



- Herhangi bir bakım işlemine başlamadan önce kombinin elektrik beslemesini kesmeniz ve kombinin ortam sıcaklığına gelmesini beklemeniz gereklidir .

- Zorunlu olmadıkça sistem suyunu kesinlikle kısmen dahi boşaltmayınız.

- Kombiyi ve/veya aksamalarını kolay yanabilir maddelerle temizlemeyiniz (örn. benzin, alkol, v.s.).

- Kombinin kurulum yerinde yanıcı madde kutuları bırakmayınız.

- Kombi çalışır halde iken ısı santralini temizlemeyiniz.

- Temizlik için temizleme çubukları ve aspiratörler kullanınız. Bez kullandığınız takdirde kombinin içerisinde unutmduğunuzdan emin olunuz.

Olağan bakım

İç panel ve ateşe dayanıklı tuğla üzerindeki kurum ve kül birikintileri ısı iletimini azaltır. Bununla birlikte, odun gazlandırılmalı bir kombi, çalışma esnasında geleneksel kombilere nispeten daha az kül üretir.

Yanma odasındaki külü 1-2 günde bir ve yanma işlemi için yeterli alan sağlamak bakımından her tam yükleme öncesinde temizleyiniz.



Kül halen sıcak ise koruyucu eldiven takınız.

Külü kapaklı yanmaz bir kaba aktarınız.

Haftada en az bir kez özenli temizlik uygulayınız:

- Yükleme kapısını açınız ve kül odasındaki yakıt artıklarını brülör tablaları arasındaki açıklıklara doğru süpürünüz.
- Yanma odasının iç panellerini bir fırça vasıtasıyla temizleyiniz.
- Yanma odasındaki külü ve serbest haldeki kurumu temizleyiniz.
- Kapının tamamen sızdırmaz şekilde kapanıp kapanmadığını kontrol ediniz. Aynı zamanda, katran yapışması olmadığından veya duman odasında yoğunlaşma bulunmadığından emin olunuz.

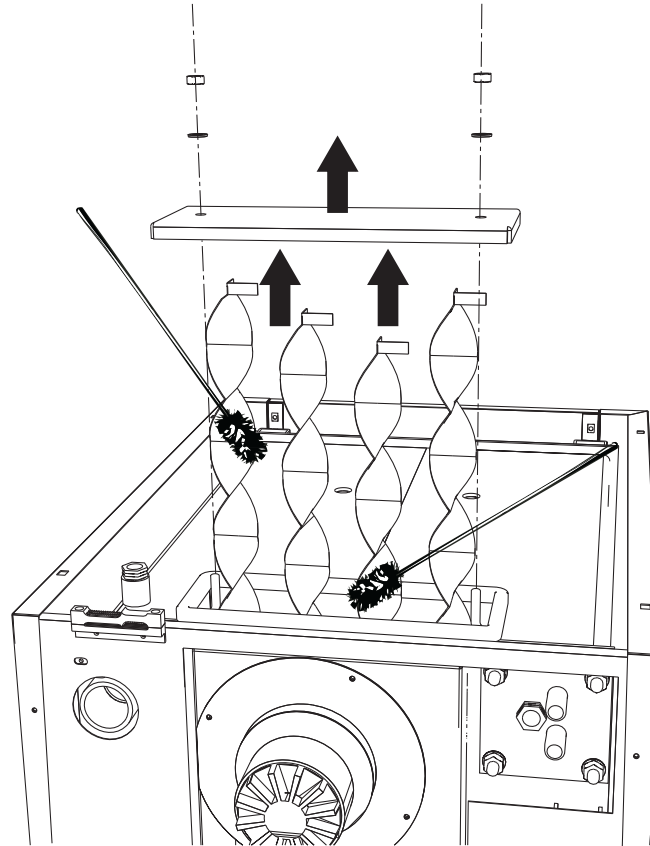


Brülör tablalarını metal fırçayla temizlemeyiniz, hasar görebilirler.

Olağan dışı bakım

Ayda bir kez duman geçiş hatlarını temizleyiniz:

- Muhafazanın üst kapağını çıkarınız
- Kombinın arka tarafındaki gözlem kapağını açınız (bkz. şek. 6).
- Türbülötörü çıkarınız ve bir temizleme çubuğu yardımıyla duman hattını temizleyiniz.



şek. 6 - Duman hattının temizlenmesi



Periyodik kontrol

Cihazın zaman içinde düzgün bir şekilde çalışmaya devam etmesini sağlamak için, aşağıdaki kontrol işlemlerini yıllık olarak kalifiye bir personele yaptırmanız gerekmektedir:

- Kontrol ediniz ve gerekli ise kombi ve duman hattını önceki paragrafta belirtilen şekilde temizleyiniz.
- Duman çekme fanını çıkarınız ve pervaneyi temizleyiniz.
- Brülör tablalarının durumunu kontrol ediniz.
- Yükleme kapısının ve kül odasının sızdırmazlığını kontrol ediniz; gerekli ise contayı değiştiriniz.
- Kumanda ve emniyet cihazları doğru bir şekilde çalışıyor olmalıdır.
- Duman tahliye devresi mükemmel verimlilikte olmalıdır.
- Duman kanallarında herhangi bir tıkanıklık ve kaçak olmamalıdır.
- Brülör ve kombi yüzeyi temiz ve pislik formasyonlarından arındırılmış durumda olmalıdır. Temizlik işlemlerinde kimyasal ürünler veya metal fırçalar kullanmayınız.
- Soğuk su sistemindeki su basıncı değeri yaklaşık olarak 1 bar olmalıdır; eğer değil ise, bunu bu değere ayarlayınız.
- Devir-daim pompası tıkanmış olmamalıdır.
- Genleşme tankı doldurulmalıdır.

3.4 Sorunların giderilmesi

Arıza Teşhis

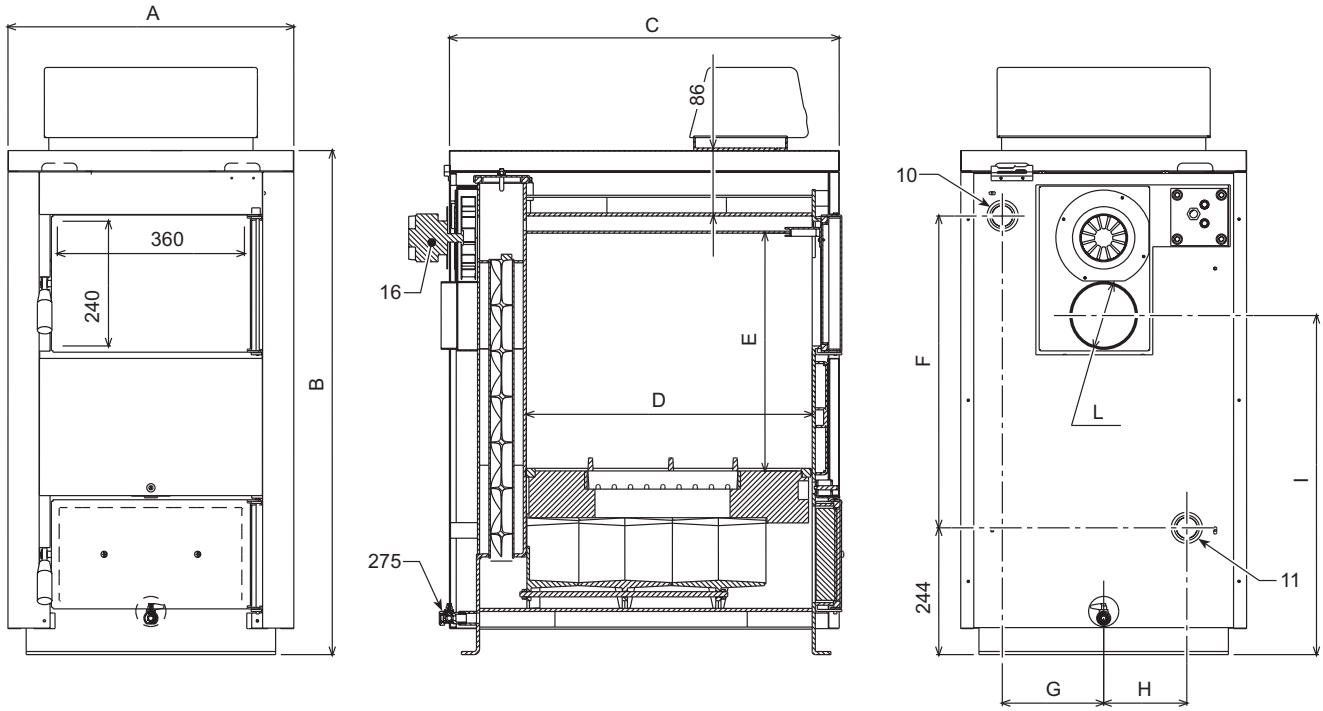
Çalışma ile ilgili bir arıza veya problem durumunda, gösterge ekranı yanıp söner ve hata kodu görüntülenir.

Çizelge 1 - Anormallik listesi

Arıza kodu	Arıza	Olası neden	Çözüm
E05	Isıtma sıcaklığı sensöründe arıza	Sensör hasarlı veya kısa-devre olmuş	Sensörün kablo tesisatını kontrol ediniz veya sensörü değiştiriniz
E06	Isıtma sıcaklığı sensöründe arıza	Sensör hasarlı veya kablolarda kopukluk var	Sensörün kablo tesisatını kontrol ediniz veya sensörü değiştiriniz

4. Özellikler ve Teknik Veriler

4.1 Boyutlar, bağlantılar ve ana bileşenler



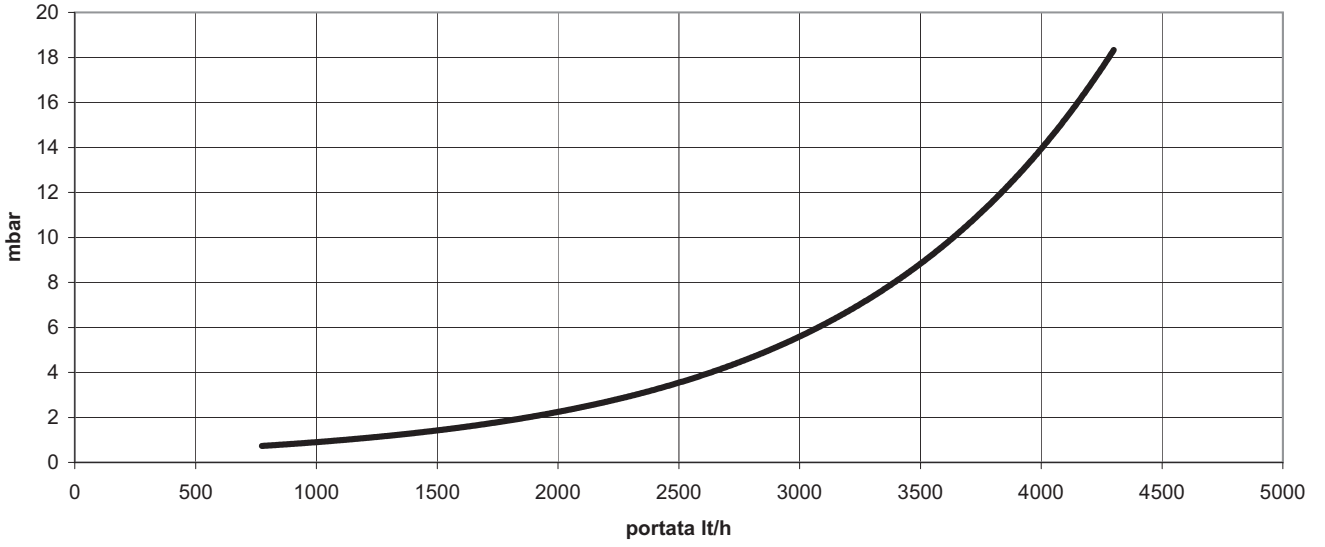
şek. 7 - Boyutlar, bağlantılar ve ana bileşenler

Model	A	B	C	D	E	F	G	H	I	L (Ø)
Şek. 30	550	970	750	550	457.7	600	195	160	652.5	130
Şek. 40	550	1150	750	550	637.5	780	195	160	812	150
Şek. 50	600	1150	930	730	627.5	780	220	185	812	150

Açıklamalar

- 10 Tesisat/sistem çıkışı
- 11 Sistem girişi
- 16 Vantilatör (Fan)
- 275 Sistem su boşaltması

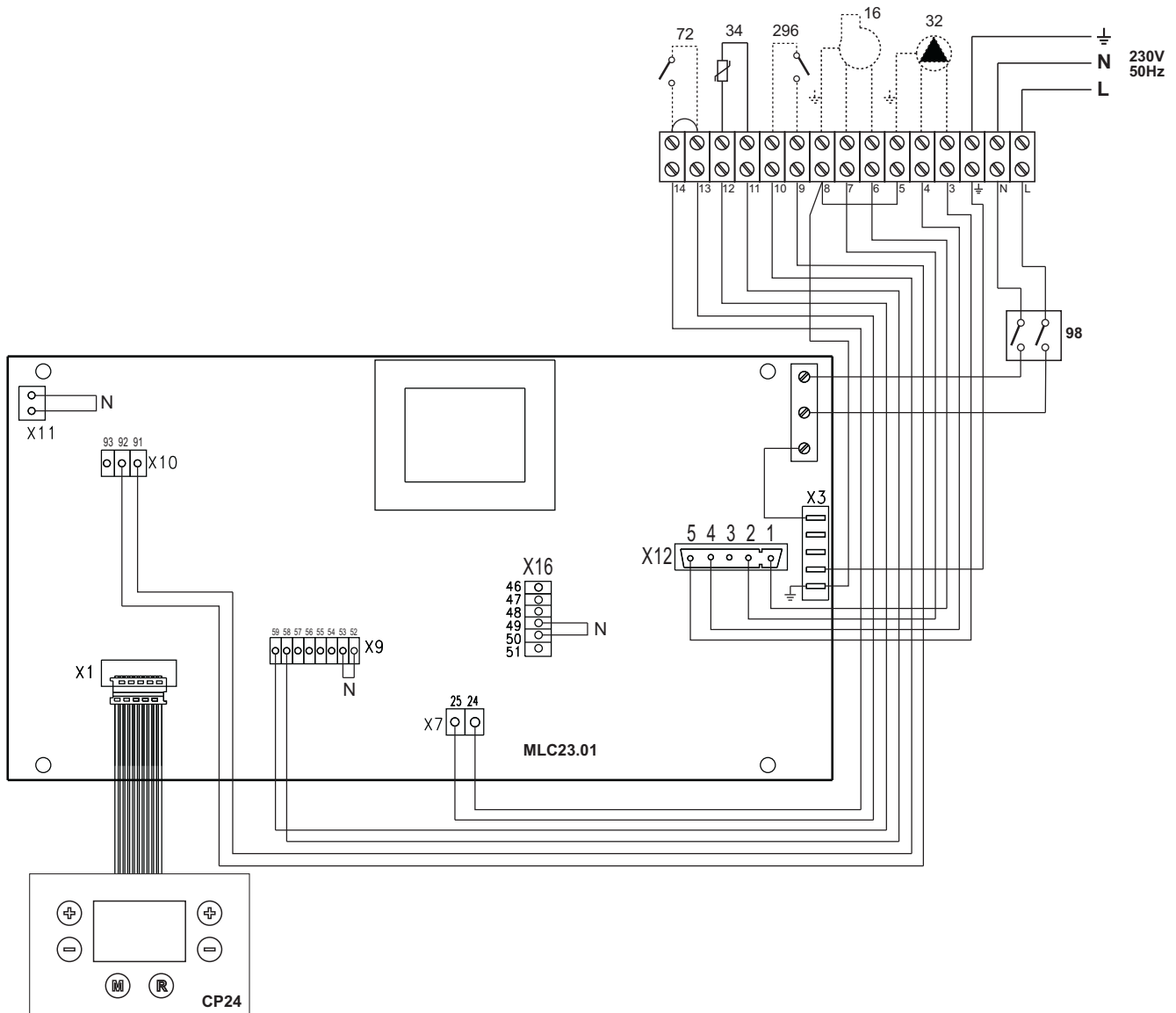
4.2 Yük kaybı



4.3 Teknik veriler tablosu

Model	Birim	Değer			
		FG 30	FG 40	FG 50	
Maks. termik kapasite	kW	34.9	46.2	57.5	(Q)
Min. termik kapasite	kW	16.9	22.3	27.8	(Q)
Isıtma maksimum termik gücü	kW	30	40	50	(P)
Isıtma minimum termik gücü	kW	15	20	25	(P)
Verim Pmax	%	86	86.5	87	
Verim Pmin	%	89	89.5	90	
Isıtmada çalışma basıncı	Bar	3	3	3	(PMS)
Boş ağırlık	kg	185	220	286	
Yanma odası hacmi	dm ³	100	140	200	

4.4 Elektrik şeması



şek. 8 - Elektrik şeması

- 16 Vantilatör (Fan)
- 32 Isıtma sirkülâtörü
- 72 Oda termostatı (cihazla birlikte verilmez)
- 34 Isıtma sıcaklığı sensörü
- 296 Kapak mikro-sivici



FERROLI S.p.A.
Via Ritonda 78/a
37047 San Bonifacio - Verona - ITALY
www.ferroli.it