



***e-dronic solutions***

**Soluzioni e-droniche**



GB

3

I

17



## 2. MidMarket solutions

The MidMarket is a segment of the "systems" market made up of small-medium installations in the residential/services/commercial sectors.

The turnkey cost of the systems installed in this market segment may range from a minimum of 30 to 40 k€, for around twenty terminal units and 200 control points, up to a maximum of 130 to 160 k€ for around eighty terminal units with 600-800 control points. Above these levels, the applications can be considered as the classic "systems" where Siemens, Honeywell and Johnson are the main market players and where the climate control system is usually interfaced with other systems, such as burglar alarms, security systems and fire alarms: Building Management Systems.

The typical applications in the MidMarket segment are: medium-large detached and semi-detached homes, department stores (such as Zara, Benetton, Pittarello), small-medium banks, offices, small-medium hotels (up to 3 stars), small-medium clinics, schools...

The CAREL solutions in this segment can be divided into two main groups: the **broadcast** solution and the **e-drobus** solution.

The two solutions stand out for their functionality, simple installation and commissioning, flexibility and the possibility of extensions and expansions.



Fig. 1



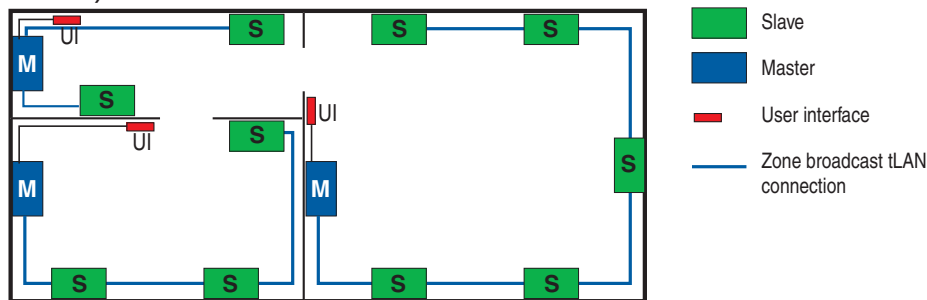
## 2. Broadcast

Broadcast is the foundation block of the e-dronic system, a system featuring simple installation that, in the zone version, does not require extra hardware in addition to the main fan coil board. It provides the basic functions for the coordinated control of one zone, with a limited number of fan coil terminal units. The system cannot be connected to an area controller or supervisor, and each zone is controlled independently with master/slave logic.

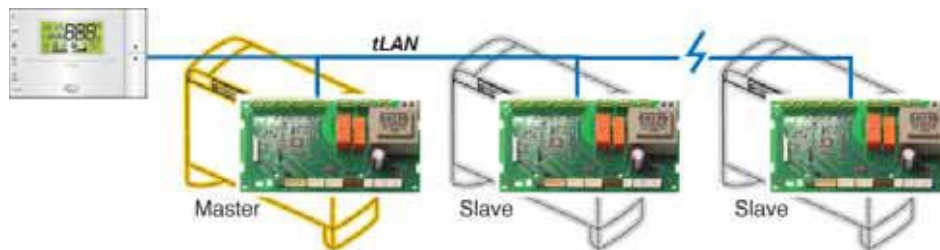
The Broadcast system is in turn divided into two types, depending on the number of fan coils connected and the total distance covered: zone **broadcast** and **extended broadcast**.

### ZONE broadcast

Zone broadcast is the typical solution for single offices and small shops that require a limited number of fan coils per zone, and where the zones do not necessarily need to communicate with one another or with a centralised supervision system.



**Fig. 2** - Example of a small installation with two main areas and a small hallway/entrance. Each area is independent of the others



**Fig. 3** - Master/slave zone broadcast connection example

The technical specifications are:

- 1 master fan coil + max 5 slaves;
- max 30 m between the master and the last slave fan coil;
- max 30 m between the master and the related user terminal;
- the slave fan coils cannot have user terminals;

The **tLAN** network standard is used, on a serial connection via TTL signals, enhanced with the CAREL proprietary communication protocol. This protocol is mono-directional, so as to ensure simple installation, that is, the master fan coil controls and the others operate accordingly. This allows the possibility of installation without having to set the addresses. Similarly simple is the recognition of the master fan coil, by connecting the user terminal that defines the specific fan coil as the master in the mini-system.

The installer does not need to perform any type of configuration, but rather simply connect a two-wire cable between the master and its slaves.

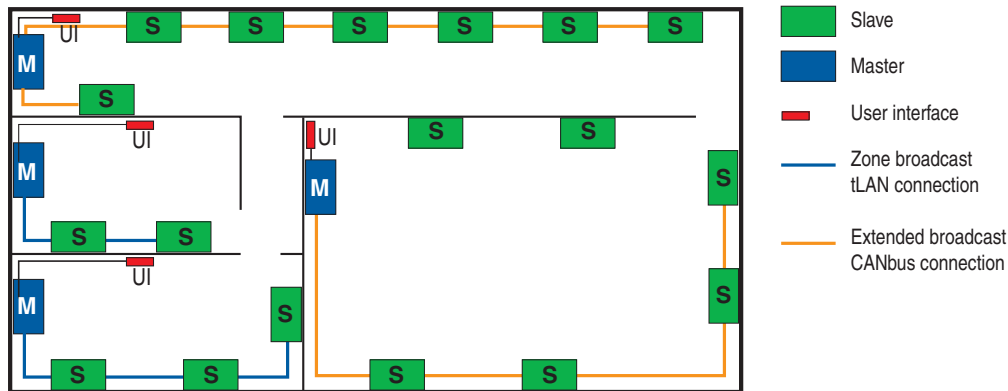


## EXTENDED broadcast

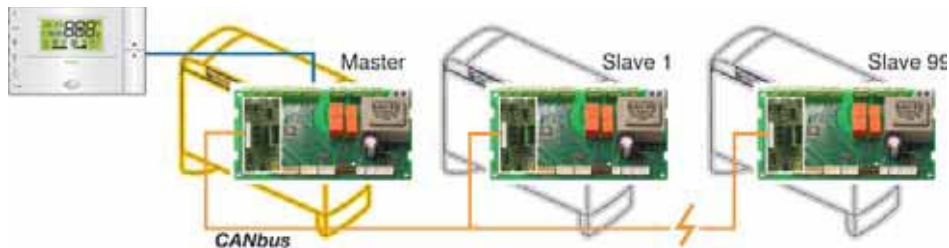
The extended broadcast system is used whenever the simple installation and auto-configuration of the broadcast system is required, however greater performance is needed in terms of distance to be covered and the maximum number of fan coils to be installed.

The extended broadcast system is developed by simply installing the optional CANbus board on all the fan coil controllers.

Typical applications are in the long hallways of a hotel, in hospitals or large open-space offices.



**Fig. 4** - Example of an installation with extended broadcast for the areas that require more than 6 fan coils and a distance of over 30 m. Each area is independent of the others



**Fig. 5** - Extended broadcast connection example with master/slave operation

The technical specifications are:

- 1 master fan coil + max 99 slaves;
- max 1000 m between the master and the last slave fan coil;
- max 30 m between the master and the related user terminal;
- the slave fan coils cannot have user terminals;

The CANbus network standard is used in mono-directional proprietary mode. The master fan coil controls, the others operate accordingly. In this case too, as for the zone broadcast system, there is no need to set the addresses. The additional CANbus communication boards installed on the fan coil board are already set with address no. 1. No changes or configuration are required by the installer, but rather the simple connection of a three-wire cable between the master and its slaves.

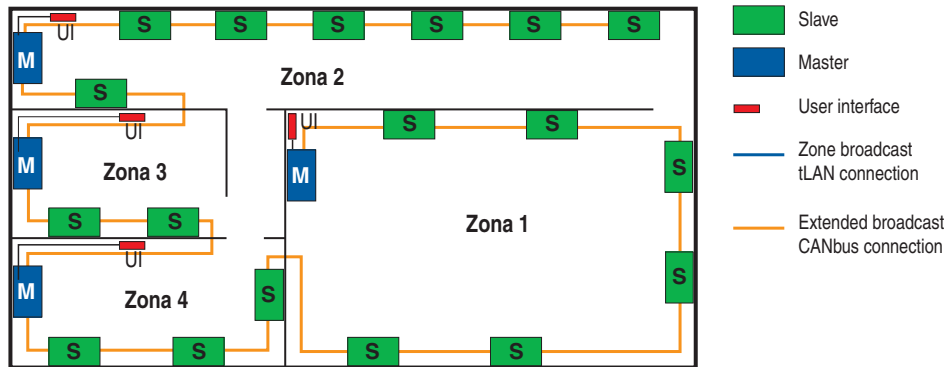
In this case too, the master is defined by the connection of the user terminal.



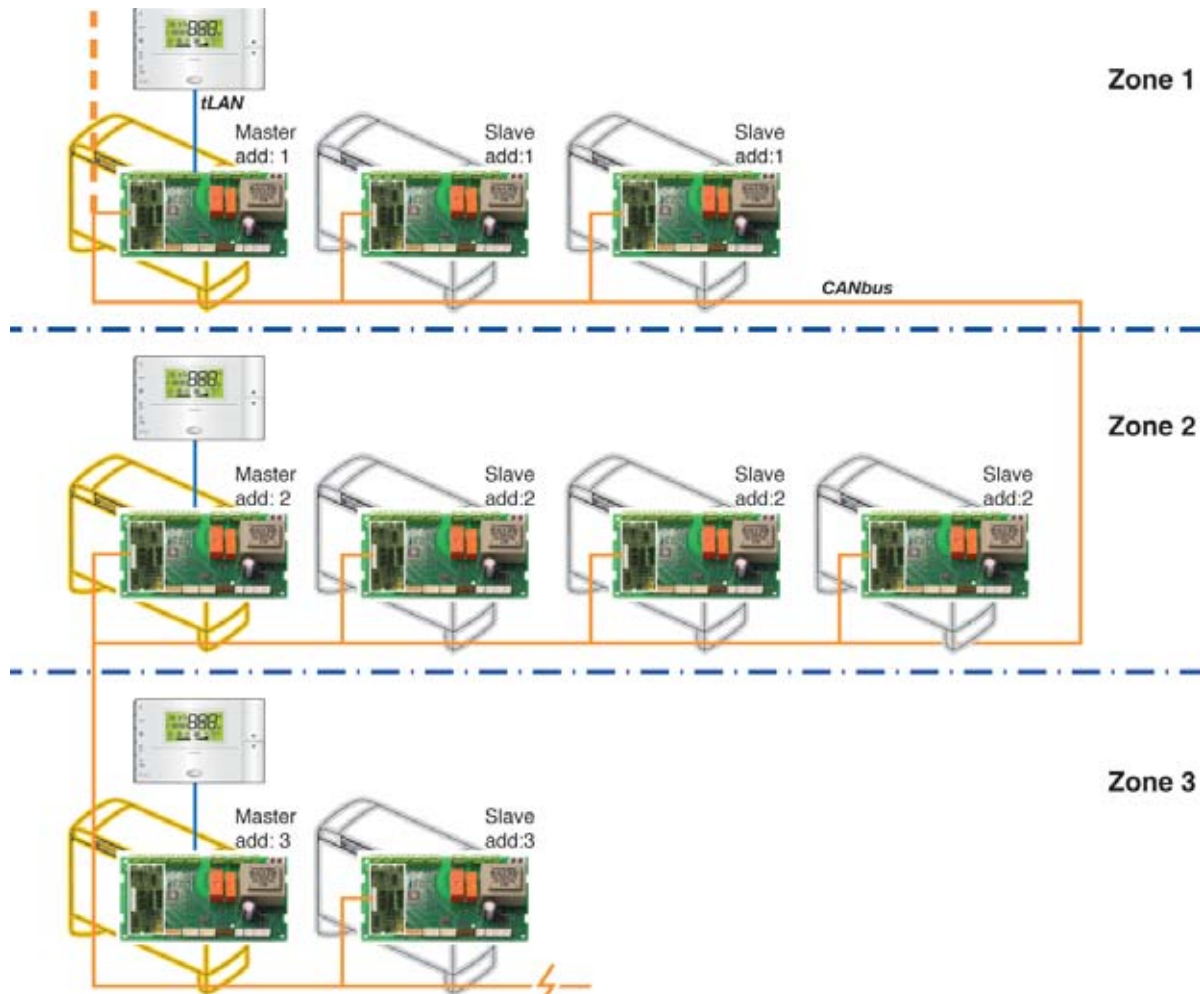
## EXTENDED broadcast multizone

The extended broadcast can also be used in the Multizone configuration: up to a maximum of 15 zones, connected together but with independent operation. Each zone has its own master and a certain number of slaves, and is managed autonomously. A maximum of 100 fan coils can be connected, and the network can cover a maximum distance of 1 km.

The **Multizone** extended network broadcast system is worth choosing for its simple future extendibility to a e-drobus network, described further on.



**Fig. 6** - Example of an installation with multizone extended broadcast. The four zones are connected, but operate independently from one another



**Fig. 7** - Multizone extended broadcast connection example with master/slave operation



The technical specifications are:

- up to a maximum of 15 zones, each with 1 master fan coil;
- max 100 fan coils in total;
- max 1000 m in total;
- max 30 m between the master and the related user terminal;
- the slave fan coils cannot have user terminals;

The CANbus network standard is used in mono-directional proprietary mode. The master fan coil in each zone controls, and the others in the same zone operate accordingly. In this case a minimum number of addresses need to be set, and all the fan coils in the same zone must have the same serial address, as shown in the example. The possible addresses range from 1 to 15. The master, in each zone, is defined by the connection of the user terminal.

### **Functions of the broadcast system**

The broadcast system can be used to coordinate the operation of a group of fan coils. The master sends information and parameters across the network, and the slaves work together in a coordinated manner based on the information received.

The master sends the following information:

- set point;
- operating mode;
- fan speed;
- ON/OFF status;
- sleep/economy mode;
- panel probe temperature;

The slaves can work by completely repeating the operation of the master, using all the information sent (ZONE mode), or alternatively control their own microclimate based on the value read by the local ambient air probe (IND mode). In this case, the slaves ignore the temperature values from the master panel probe and control their own microclimate.



## 3. e-drobus

The e-drobus is the advanced version of the e-dronic system, and provides the possibility of controlling chillers/heat pumps and fan coil terminal units together, ensuring the optimum management of the installation, maximum comfort and a reduction in running costs.

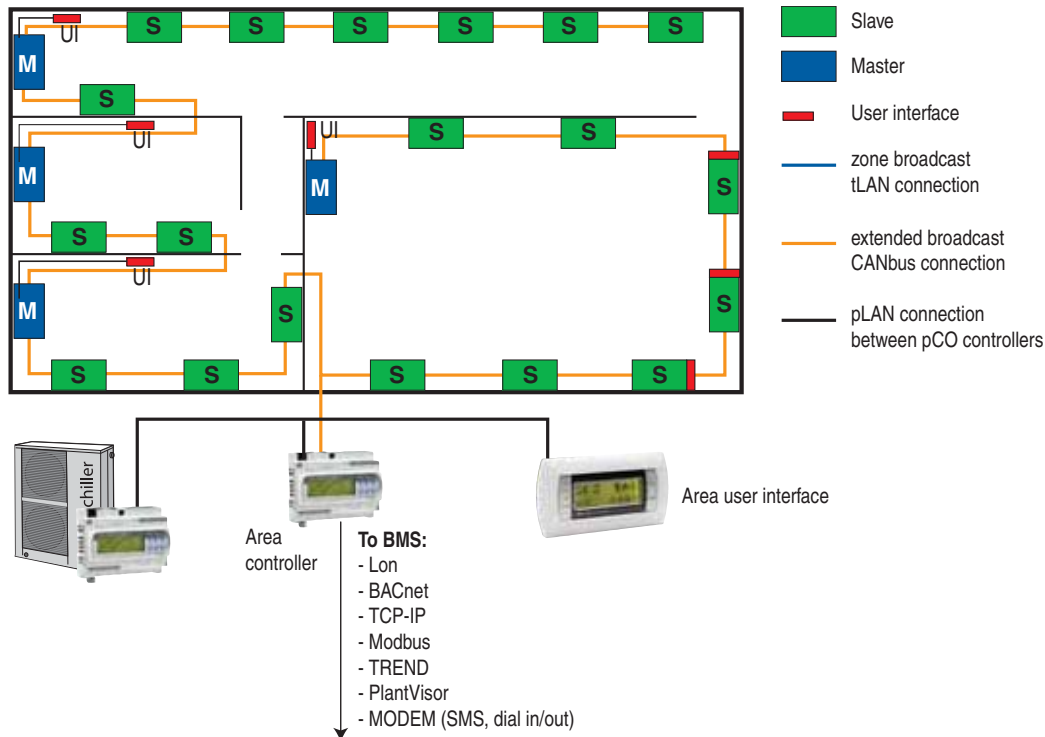
e-drobus can also be used to connect the chiller/heat pump/fan coil system to an area controller, so as to further increase the performance of the system: this allows BMS connection, remote monitoring via modem, TCP/IP, etc.

e-drobus is in turn divided into two types, depending on the flexibility required: Multimaster e-drobus and Hybrid e-drobus.

### Multimaster e-drobus

Multimaster e-drobus is the optimum solution for the office building. It ensures the simple management of flexible spaces, by assigning the master and slave via software; it allows complete area control (100 fan coils) using an area controller, and the coordinated management of fan coils and chillers/heat pumps.

Refer to the example of the multizone extended broadcast for details of the easy extendibility to a complete e-drobus system. In this case too, the optional CANbus board needs to be installed on all the fan coils.

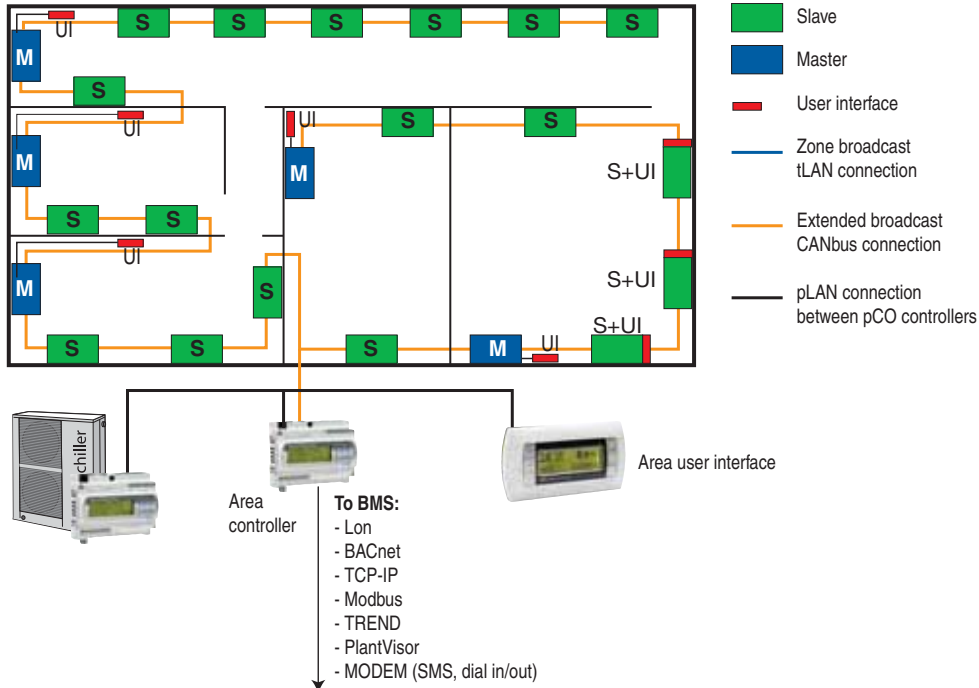


**Fig. 8** - Example of an installation with the Multimaster e-drobus. Each zone is controlled by its own master, and both master and slaves are connected to the area controller, which coordinates the operation of the chiller/HP with the operation of the system

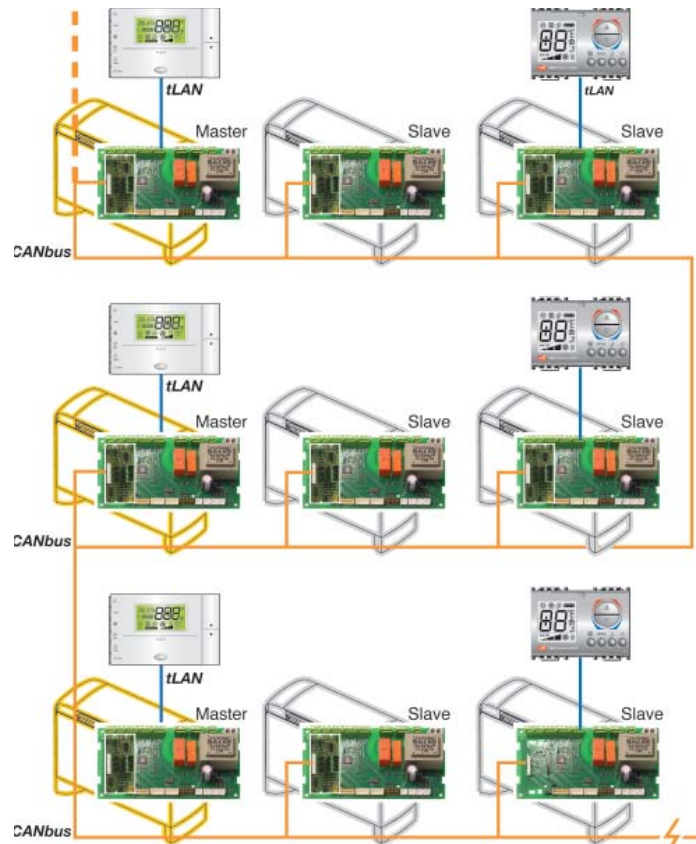




The Multimaster e-drobus system can provide a straightforward solution for "flexible space" situations, by simply reconfiguring the software on the master and slaves, and without requiring rewiring. See the example below.



**Fig. 9** - Example of a flexible space solution with the Multimaster e-drobus. The master for the new zone is defined and the slaves are reassigned via software. No modification of the wiring connections.



**Fig. 10** - Multimaster e-drobus connection example



The technical specifications are:

- up to a maximum of 64 masters;
- max 10 slave fan coils for each master;
- up to a maximum of 100 fan coils in total;
- max 1000 m in total;
- max 30 m between the master and the related user terminal;
- the slave fan coils can have their own user terminal;

The CANbus network standard is used, in standard CANOpen mode.

With the e-drobus system, the address must be set for all the fan coils using the dipswitches on the CANbus board, or by setting the software address on the user terminal. The assignment of the master and the slaves to each master is also managed by software, and can be easily modified if the installation requires (flexible space). Both the master and the slaves can have user terminals, the operation of the terminal on the slaves is coordinated by the master, so that there are no conflicts in operation.

The CANbus system is bi-directional, therefore the user terminal on the master can receive information on the operation of the slaves (alarm feedback), the area controller has full control and can monitor both master and slaves indifferently.

## HYBRID e-drobus

The Hybrid e-drobus uses both the CANbus standard and the tLAN standard together. It is an economically advantageous system, as it uses the CANbus (additional cost of the communication board) only where necessary, for the connection of the master fan coil, and uses the tLAN, economical and easy to install, for the master/slave connection.

The Hybrid e-drobus system is ideal for installations where the special features of the Multimaster e-drobus (possibility to assign master/slaves via software, flexible space, alarm feedback from the slaves and slaves with user terminal) are not required.

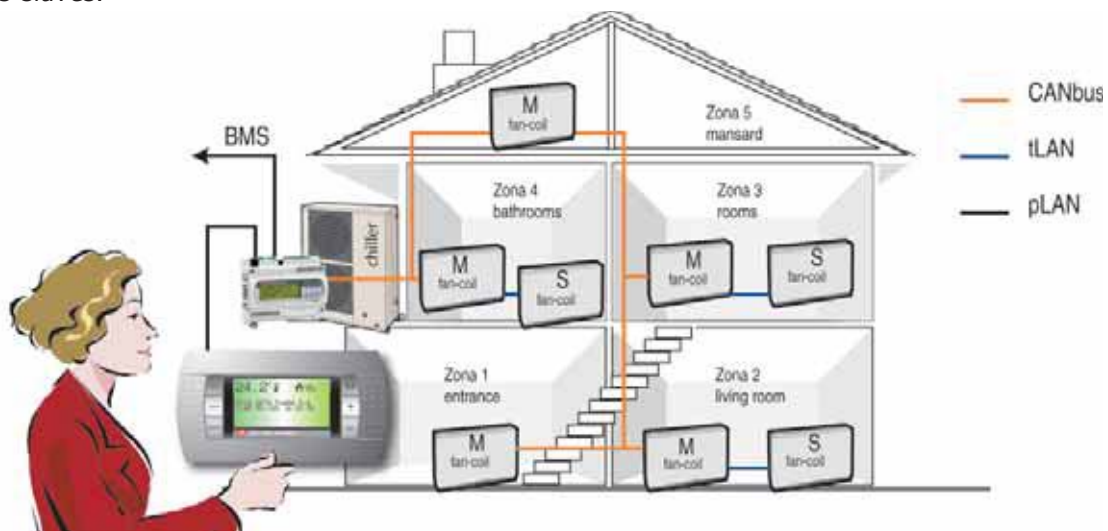
The typical applications are in detached and semi-detached homes, where one master is installed per zone (living room, bedroom, kitchen,..) and the slaves are only used to support the temperature control action of the master.

There are two types of Hybrid e-drobus, the Integrated version and the Extended version.

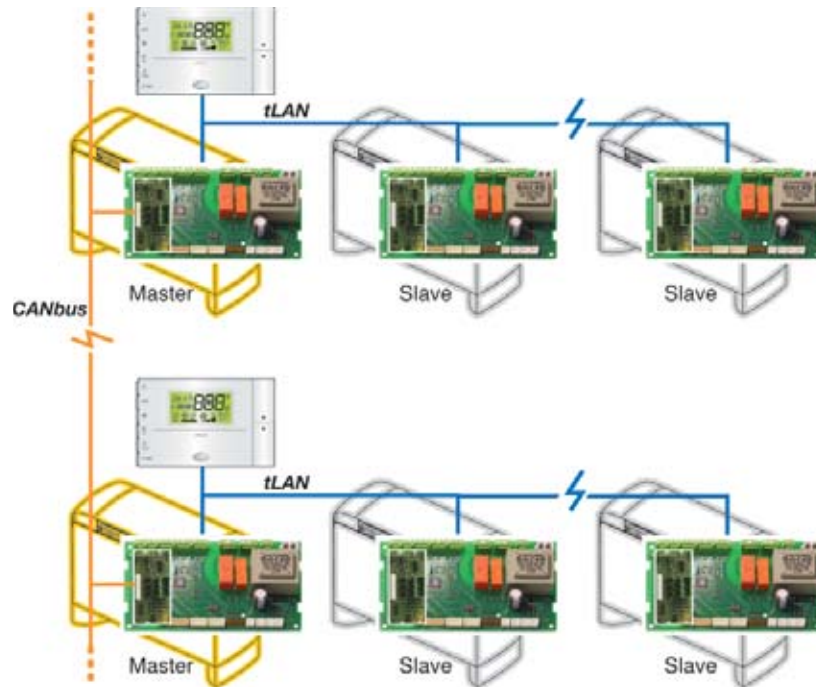
In the **Integrated** version, the pCO controller that manages the chiller/HP also acts as an area controller and manages the two systems in synergy, optimising comfort and running costs. The chiller user terminal in this case also becomes the user terminal for the hydronic system, with some special screens for the fan coils.

In the **Extended** version there is a dedicated pCO controller that acts as area controller. The area controller is then connected via the pLAN multimaster RS485 network on the CAREL proprietary protocol to the pCO that controls the chiller/HP.

The choice of the type of installation depends on the required dimensions. For the integrated version, in fact, a maximum number of 16 master fan coils can be connected to the chiller-area controller. For the extended version the maximum is usually 64. Each master can be connected, via tLAN, in broadcast mode, to a maximum of 5 slaves.



**Fig. 11** - Example of an installation with the Integrated Hybrid e-drobus. The chiller/HP controller is also the area controller



**Fig. 12** - Hybrid e-drobus connection example

The technical specifications are:

- up to a maximum of 100 peripherals, 64 of which are masters, for the extended hybrid configuration;
- up to a maximum of 16 masters for the integrated hybrid configuration;
- max 5 slave fan coils in tLAN for each master;
- max 1000 m in total for the master CANbus network;
- max 30 m for the tLAN network between a master and its slaves;
- max 30 m between the master and the related user terminal;
- the slave fan coils cannot have user terminals;

The CANbus network standard is used, in standard CANOpen mode.

With the Hybrid e-drobus system, only the master fan coil requires the installation of the CANbus communication board and the setting of the address using the dipswitches or software on the user terminal. The masters are called via software, the slaves do not require configuration, but simply need to be connected to the reference master.

Only the master fan coil can have the user terminal.

The CANbus system is bi-directional, and therefore the area controller can have full control and monitor the data from all the master fan coils connected.

## Functions of the e-drobus system

With the e-drobus system, the master fan coil can control up to a maximum of 10 slave fan coils. The main difference from the broadcast system is that in this case communication is bi-directional, and the master can monitor the operation of the slaves, receive alarms, etc.

The master/slave relationship is managed by two fundamental parameters: LOGICA and DIPENDENZA. The DIPENDENZA parameter, which determines the information that the slave must "listen to" from the master, is related to the KEY LEVEL parameter; this sets the level of locking of the keypad on the user terminal if connected to the slave.

### LOGICA parameter

The LOGICA parameter determines the algorithm for how the master interacts with the slaves.

The parameter has the following settings:

LOGICA= 0: disabled, the master sends no commands to the slaves and does not control any variables; the master awaits commands from the area controller or from the BMS.



For the other settings, refer to the following table.

Data sent according to the parameter	LOGICA1	LOGICA2	LOGICA3	LOGICA4	LOGICA5	LOGICA6
ON/OFF	X	X	X	X	X	X
ECONOMY/SLEEP	X	X	X	X	X	X
Control with probe value sent from the master fan coil	X				X	X
Control performed based on probe value sent from chiller controller (pCO)		X				
Propagation of the set point on the master fan coil	X	X				X
Propagation of the operating mode and the comfort function on the master fan coil	X	X			X	X
Propagation of the fan speed on the master fan coil	X	X			X	X
Propagation of the operating mode, the comfort function, the fan speed and the ON status only on power-up of the master fan coil			X			
Use of the average value of the probes in the zone for control on all the fan coils connected (both master and slaves)				X		
Propagation of different set points for the various zone slaves. The set point is specified in the corresponding DIPENDENZA parameter					X	
Propagation of different offsets (compared to the set point on the master) to the various zone slaves. The offset is specified in the corresponding DIPENDENZA parameter						X

### DIPENDENZA parameter

The DIPENDENZA parameter, which is resident only in the master unit but only has effect on the slave units, determines the functional restrictions between master and slaves, that is, which parameters the slave unit is forced to accept in the command packets sent by the master, and those that it manages independently.

DIPENDENZA= 0 - ignores all commands from the master

DIPENDENZA= 1 - considers ON/OFF, economy/sleep

DIPENDENZA= 2 - considers ON/OFF, economy/sleep, operating mode

DIPENDENZA= 3 - considers ON/OFF, economy/sleep, set point, operating mode, comfort function

DIPENDENZA= 4 - considers ON/OFF, economy/sleep, set point, operating mode, comfort function, fan speed

DIPENDENZA= 5 - considers set point, operating mode, comfort function

DIPENDENZA= 6 - considers set point, operating mode, comfort function, fan speed

DIPENDENZA= 7 - accepts all commands from the master

To avoid conflicts and make the user interface easier to operate for the various users, the DIPENDENZA parameter affects the KEY LEVEL parameter, that is, the enabling of the buttons on the local thermostat.



## 4. BMS solutions

Large buildings, banks, office buildings with 20 and more floors, shopping centres, etc. are usually managed centrally by BMS systems, microprocessor-based systems that control the building environment, the lights, the security system and burglar alarms, etc. These systems include a central user interface, a communication network, and control and data acquisition devices.

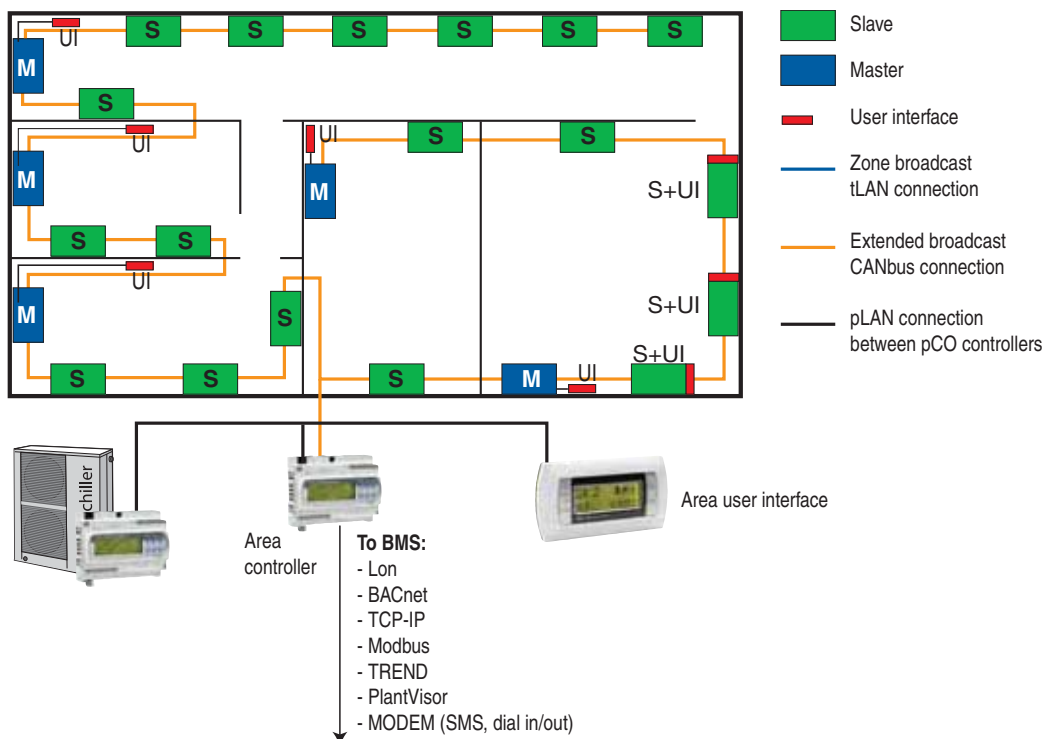
The main players in the market are Siemens, Johnson Controls and Honeywell.

The most widely used protocols are: LON, N2, Profibus, EIB, Modbus, BACnet,...

As regards the compatibility of the hydronic system with BMS systems, CAREL offers two levels of compatibility:

- the first level is offered at an area controller level, which being a pCO controller, offers all the communication interfaces available for the pCO sistema. In this case, the e-dronic system with the characteristics and the features described in the previous chapter becomes a building block in the larger BMS installation and is connected to it for the exchange of data and centralised monitoring;
- the second level is offered directly at a fan coil controller level, through a series of communication interfaces with different protocols. In this case the e-dronic system is no longer used, and the algorithms for the coordinated control of the chiller/HP and fan coils are no longer available, as the chiller and fan coils are connected directly to the central BMS. The fan coil controller in this case manages the fan coil independently, and is interfaced via the communication board to the BMS.

### First level



**Fig. 13** - Example of interfacing the CAREL e-dronic system with a BMS via an Area Controller

An area controller is not required to interface an e-dronic system with a BMS, in the case of the integrated e-drobus system the pCO itself controls the chiller/HP and the e-dronic system, and with its additional BMS serial connector can interface with the Building Management System (only for the pCO<sup>1</sup> and pCO<sup>3</sup>).



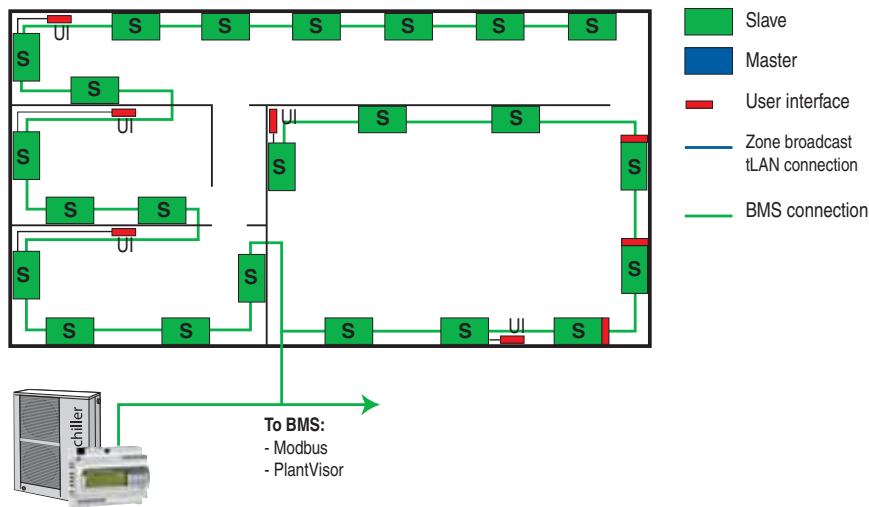
The following protocols are available for the BMS interface:

- Modbus over RS485;
- BACnet IP and Ethernet;
- BACnet RS485;
- LON FTT10;
- TREND over RS485;
- METASYS over RS485;
- TCP/IP over Ethernet with:
  - WEB Server;
  - FTP (PUT & GET);
  - SNMP (v1 & v2);
  - DHCP;

## Second level

The second level concerns the direct interface of the individual fan coil with the BMS.

The typical situation involves the general contractor who has won the tender for the building, orders the components for the air-conditioning system directly and requires a compatible protocol for the direct connection to the centralised BMS system.



**Fig. 14** - Connection example of fan coil terminal units and chiller units directly to the BMS

The pCO controllers feature all the protocols implemented for the pCO sistema, while for the fan coil controllers, the following are available:

- CAREL protocol over RS485 (and therefore communication DLLs);
- Modbus over RS485;
- CANopen on CANbus board (planned for the end of 2005);
- LON with fan coil profile (planned for the end of 2005);

## 5. Summary table: network architecture

topology	protocol	max. No. of master FC	max. No. of FC	typical applications
ZONE broadcast	tLAN	1	6	single office, small store, small independent zone
EXTENDED broadcast	CANbus	1	100	large independent zone, long corridor or hotel hall, open space office
EXTENDED broadcast multizone	CANbus	15	100	independent multizones, easy upgradability to e-drobus topology
HYBRID e-drobus integrated	CANbus + tLAN	16	96	residential, light commercial installations
HYBRID e-drobus extended	CANbus + tLAN	64	384	medium commercial applications
e-drobus multimaster	CANbus	64	100	office buildings, flexible space



## 6. Comparison of hydronic systems and the VRF system

Currently, the two most widely used types of HVAC systems are hydronic systems and VRF systems, with variable refrigerant flow-rate. Both have specific features and the possibility of application in various types of buildings.

Hydronic systems have a series of advantages compared to the VRF systems, as listed in the table below:

advantage	description																																		
Competitive installed cost	VRF systems circulate a certain flow-rate of refrigerant and require the expert construction of copper refrigerant circuits. Hydronic systems, on the other hand, only use water in normal iron or plastic water pipes. Consequently, for the same cooling capacity installed, the installation cost of a hydronic circuit is usually significantly lower than a direct expansion circuit.																																		
No limits in length	There are no limits in length for the development of hydronic circuits, while even the most evolved VRF system does not allow circuits that are more than 220 m long.																																		
Possibility of simple modifications	A hydronic circuit can always be modified quite simply when already installed, following conversions made by the user to the use of the buildings, operations that are becoming more frequent. These operations, given the greater complexity of the VRF system, are more difficult for the latter.																																		
Easy maintenance	<p>The chillers range from a few kW to thousands of kW in capacity, with scroll compressors, screw compressors or centrifugal compressors, depending on the capacity required. VRF systems, on the other hand, are modular, with sizes ranging from 6 to 30 kW, and to respond to higher capacity requirements, a series of modules must be used, with evident problems in terms of maintenance.</p> <p>The size of a typical installation in Italy is 300 kW= 1 x 300 kW chiller= 12 x 25 kW VRF systems. Even if the current VRF systems have sophisticated control systems and auto-diagnostics, the fact remains that, for the same capacity, the number of parts subject to maintenance is much higher compared to hydronic systems.</p> <p>In the example above there are:</p> <table border="1"> <thead> <tr> <th>Component</th> <th>Hydronic system</th> <th>VRF</th> </tr> </thead> <tbody> <tr> <td>No. of compressors</td> <td>1 - screw</td> <td>12 - scroll</td> </tr> <tr> <td>No. of compressor inverters</td> <td>-</td> <td>12</td> </tr> <tr> <td>No. of filters</td> <td>1</td> <td>12</td> </tr> <tr> <td>No. of 4-way valves</td> <td>1</td> <td>12</td> </tr> <tr> <td>No. of fans</td> <td>3</td> <td>12</td> </tr> <tr> <td>No. of fan inverters</td> <td>3</td> <td>12</td> </tr> <tr> <td>No. of compressor circuit breakers</td> <td>1</td> <td>12</td> </tr> <tr> <td>No. of electrical box circuit breakers</td> <td>1</td> <td>12</td> </tr> <tr> <td>Total No. of parts subjected to maintenance</td> <td>11</td> <td>96</td> </tr> <tr> <td>...</td> <td>...</td> <td>...</td> </tr> </tbody> </table> <p>Doing the sums, for this type of system there are 85 components more to be managed in the VRF system than in the hydronic system.</p>		Component	Hydronic system	VRF	No. of compressors	1 - screw	12 - scroll	No. of compressor inverters	-	12	No. of filters	1	12	No. of 4-way valves	1	12	No. of fans	3	12	No. of fan inverters	3	12	No. of compressor circuit breakers	1	12	No. of electrical box circuit breakers	1	12	Total No. of parts subjected to maintenance	11	96	...	...	...
Component	Hydronic system	VRF																																	
No. of compressors	1 - screw	12 - scroll																																	
No. of compressor inverters	-	12																																	
No. of filters	1	12																																	
No. of 4-way valves	1	12																																	
No. of fans	3	12																																	
No. of fan inverters	3	12																																	
No. of compressor circuit breakers	1	12																																	
No. of electrical box circuit breakers	1	12																																	
Total No. of parts subjected to maintenance	11	96																																	
...	...	...																																	
Any water leaks are easily to detect	It is unavoidable that over time there are leaks of heat carrier fluid or refrigerant. Water leaks are easily identifiable and can be repaired simply. This is not so for leaks of refrigerant, which unless rapidly repaired may require costly circuit refills. In addition, with the new European EN378 standard that covers the detection of refrigerant leaks in air-conditioning and refrigeration systems, and that requires the presence of sensors and alarms capable of detecting refrigerant leaks, the installed cost of the VRF system grows even further.																																		
Transformation of the systems	A hydronic system can be made with components supplied by different manufacturers, and therefore leaves ample freedom for future transformations and the ready availability of components, even supplied by different manufacturers from the originals. VRF systems, on the other hand, depend exclusively on the original manufacturer, with considerable problems if the manufacturer decides to phase out some components in the system, causing considerable difficulties if needing to transform the installation, even up to the point of having to replace it.																																		
Easy integrability to cold/hot ceiling/floor systems	Through the hydronic system it is easy to implement solutions like: cold/hot ceilings, floors, walls.																																		

The CAREL e-dronic control system provides an integrated solution with advanced performance and extended modularity, which highlights and optimises the intrinsic advantages of the hydronic system.







## 1. Soluzioni per il MidMarket

Il MidMarket è un segmento del mercato "sistemi" costituito da piccole-medie installazioni nel residenziale/terziario/commerciale.

Il costo del sistema installato, chiavi in mano, in questo segmento di mercato può andare da un minimo di 30...40k€, per una ventina di unità terminali e 200 punti di controllo, fino ad un massimo di 130...160 k€ per una ottantina di unità terminali con 600-800 punti di controllo. Sopra questi livelli stiamo già parlando di applicazioni "sistemi" classici dove Siemens, Honeywell, Johnson sono i principali player di mercato e dove il sistema di controllo ambientale di solito si interfaccia con altri sistemi tipo anti-intrusione, sicurezza, anti-fuoco: Building Management System.

I tipici scenari d'applicazione del segmento midmarket sono: ville e villette medio-grandi, department stores (tipo Zara, Benetton, Pittarello), piccole-medie banche, uffici, piccoli-medi alberghi fino a 3 stelle, piccole-medie cliniche, scuole...

Le soluzioni CAREL per questo segmento si dividono in 2 gruppi fondamentali: la soluzione **broadcast** e la soluzione **e-drobus**.

Le due soluzioni si differenziano per funzionalità, per semplicità di installazione e messa in servizio, per flessibilità, per possibilità di estensioni ed espansioni.



Fig. 1

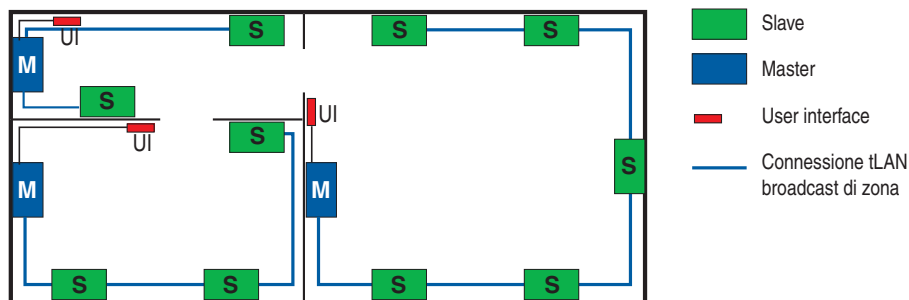


## 2. Broadcast

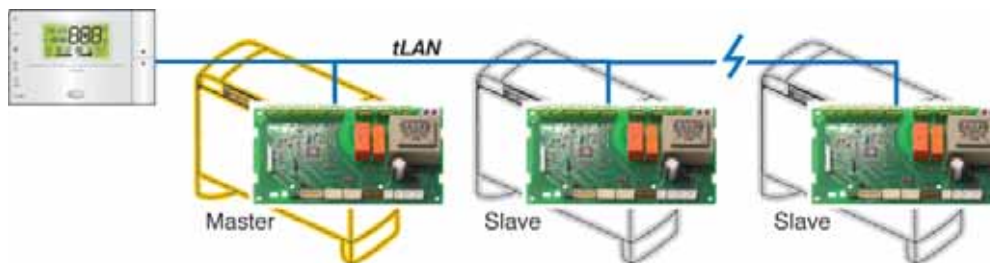
Il broadcast è il mattone di base del sistema e-dronico, è un sistema semplice da installare che, nella sua versione di zona, non richiede hardware aggiuntivo alla scheda fan coil di base. Permette funzionalità di base per il controllo coordinato di una zona con un numero limitato di unità terminali fan coil. Non c'è la possibilità di connessione né ad un controllore di area, né ad un supervisore di impianto, ogni zona è controllata con una logica master/slave in maniera indipendente. Il broadcast si divide a sua volta in 2 tipologie, a seconda del numero di fan coil che si devono connettere e della distanza totale che si deve coprire: **broadcast di zona** e **broadcast esteso**.

### Broadcast di ZONA

Il broadcast di zona è la tipica soluzione per il singolo ufficio, piccolo negozio che richiede un numero limitato di fan coil per zona, le cui zone non devono necessariamente essere messe in comunicazione tra loro o con un sistema con supervisione centralizzato.



**Fig. 2** - Es. di piccola installazione con due aree principali ed un piccolo corridoio/ingresso. Ogni area è indipendente dalle altre



**Fig. 3** - Esempio di connessione broadcast di zona master/slave

I dati tecnici sono:

- 1 fan coil Master + max 5 slave;
- max 30 m tra il master e l'ultimo dei fan coil slave;
- max 30 m tra il master e il suo terminale utente;
- i fan coil slave non possono avere terminale utente;

Lo standard di rete utilizzato è la **tLAN**, un collegamento seriale su segnali TTL potenziati con protocollo di comunicazione CAREL proprietario. Il protocollo in questione, per questioni di semplicità di installazione è monodirezionale, il fan coil master comanda, gli altri eseguono. Questo ha permesso la possibilità di installazione senza indirizzamento. Altrettanto semplice è il riconoscimento del fan coil master, è la connessione del terminale utente che battezza il fan coil specifico come master del mini-sistema.

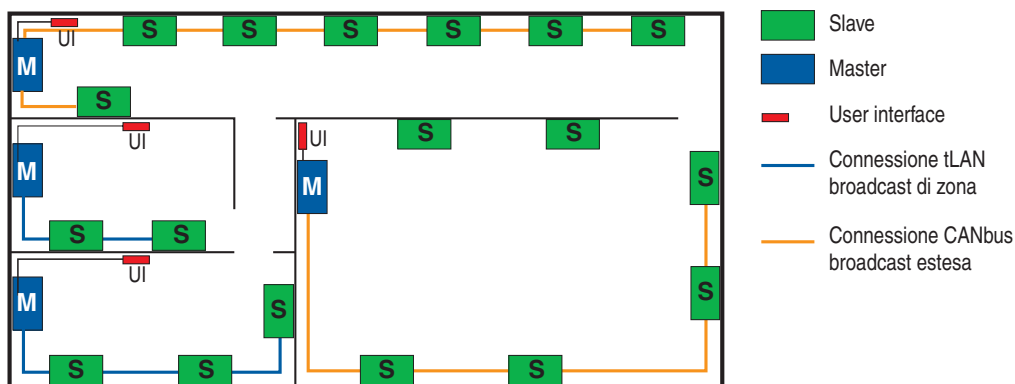
L'installatore non deve eseguire nessun tipo di configurazione ma la sola e semplice connessione di un cavo bipolare tra il master e i suoi slave.



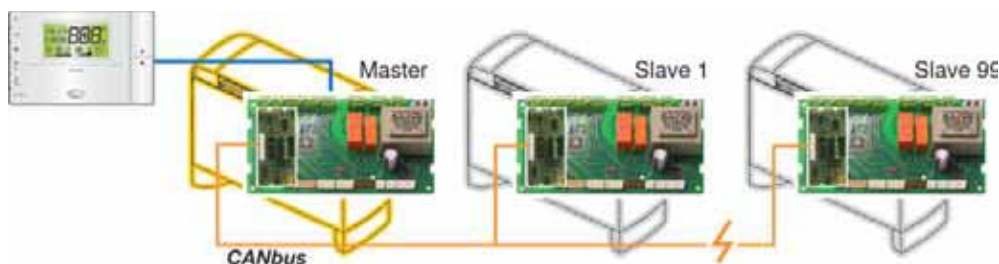
## Broadcast ESTESO

Il broadcast esteso si rende necessario ogniqualvolta si voglia mantenere la semplicità di installazione e auto-configurazione proprie del sistema broadcast ma si richiedano delle performance maggiori in termini di distanza da coprire e numero massimo di fan coil da installare.

Il broadcast esteso si ottiene semplicemente installando la scheda opzionale CANbus su tutti i controlli fan coil. Il tipico scenario di installazione è il lungo corridoio di un albergo o di un ospedale o il grande ufficio open-space.



**Fig. 4** - Es. di installazione con broadcast esteso per le aree che richiedono più di 6 fan coil e distanze superiori ai 30 m. Ogni area è indipendente dalle altre.



**Fig. 5** - Esempio di connessione broadcast esteso master/slave

I dati tecnici sono:

- 1 fan coil Master + max 99 slave;
- max 1000 m tra il master e l'ultimo dei fan coil slave;
- max 30 m tra il master e il suo terminale utente;
- i fan coil slave non possono avere terminale utente;

Lo standard di rete utilizzato è il CANbus usato in modalità proprietaria mono-direzionale. Il fan coil master comanda, gli altri eseguono. Anche in questo caso, come per il broadcast di zona, non c'è bisogno di indirizzamento. Le schede di comunicazione CANbus addizionali che devono essere installate nella scheda fan coil sono pre-indirizzate a 1. Nessun cambiamento o configurazione è necessaria da parte dell'installatore ma la sola e semplice connessione di un cavo tripolare tra il master e i suoi slave.

Anche in questo caso il master viene battezzato dalla connessione del terminale utente.



## Broadcast ESTESO MULTIZONA

Il broadcast esteso può essere anche usato in configurazione Multizona: fino ad un massimo di 15 zone, collegate tra loro ma indipendenti per funzionamento. Ogni zona ha il suo master ed un certo numero di slave ed è autogestita. Il numero massimo di fan coil collegabile è pari a 100 e la distanza massima copribile dalla rete è 1 km.

La motivazione per scegliere una rete broadcast Estesa **Multizona** è per la sua facile estensibilità futura ad una rete e-drobus, di cui parleremo più avanti.

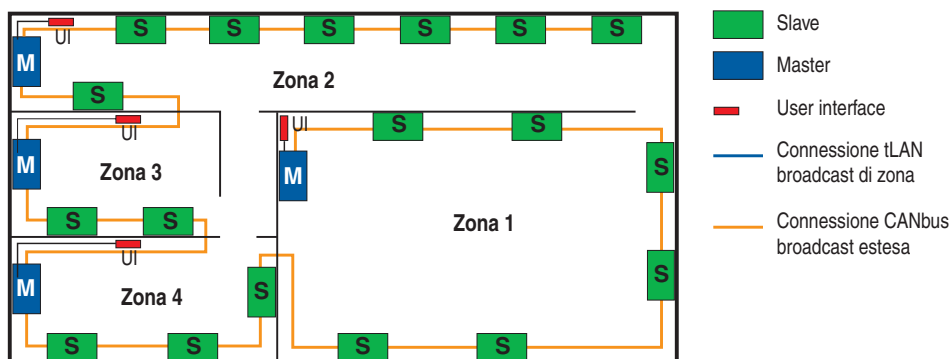


Fig. 6 - Es. di installazione con broadcast esteso multizona. Le 4 zone sono connesse ma indipendente le une dalle altre

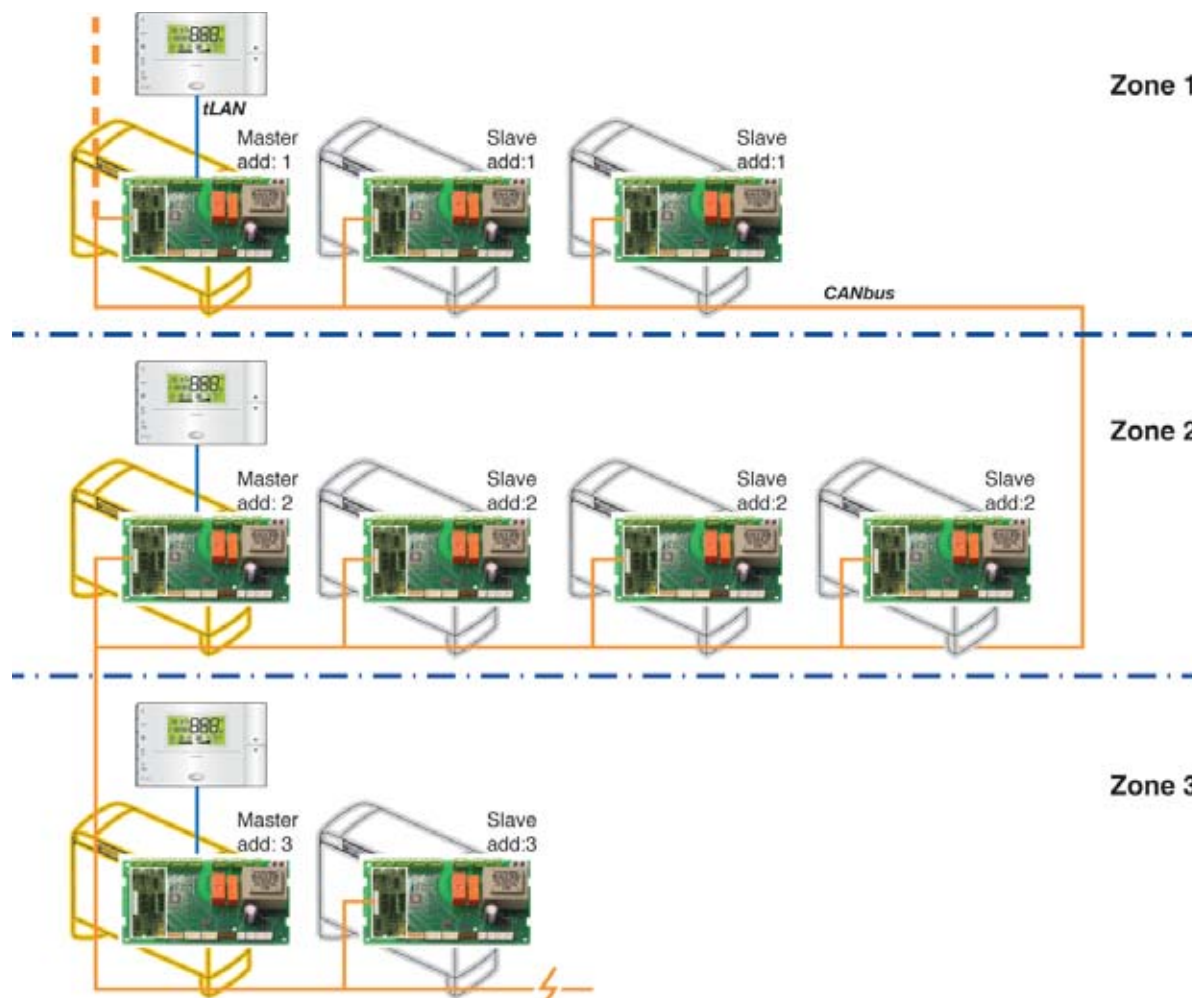


Fig. 7 - Esempio di connessione broadcast esteso multizona master/slave



I dati tecnici sono:

- fino ad un massimo di 15 zone, ognuna con 1 fan coil master;
- max 100 fan coil totali;
- max 1000 m totali;
- max 30 m tra il master e il suo terminale utente;
- i fan coil slave non possono avere terminale utente;

Lo standard di rete utilizzato è il CANbus usato in modalità proprietaria mono-direzionale. Il fan coil master, di ogni zona, comanda, gli altri, appartenenti alla stessa zona, eseguono. In questo caso è necessario un minimo di indirizzamento, tutti i fan coil appartenenti alla stessa zona devono avere lo stesso indirizzo seriale, come mostrato nell'esempio. Gli indirizzi possibili vanno da 1 a 15. Il master, per ogni zona, viene battezzato dalla connessione del terminale utente.

### **Funzionalità del sistema broadcast**

Tramite il broadcast è possibile coordinare il funzionamento di un gruppo di fan coil. Il master comunica in rete una serie di informazioni e parametri e gli slave lavorano in modo coordinato con le informazioni ricevute.

Il master passa le seguenti informazioni:

- set point;
- modo di funzionamento;
- velocità del ventilatore;
- stato ON/OFF;
- modo sleep/economy;
- temperatura sonda del pannello;

Gli slave possono lavorare replicando completamente il funzionamento del master, usando tutte le informazioni passate (modo ZONE), oppure regolare il loro microclima sul valore della loro sonda aria ambiente (modo IND). In tal caso gli slave non considerano i valori di temperatura sonda del pannello del master e regolano il loro microclima.



## 3. e-drobus

L'e-drobus è la versione avanzata del sistema e-dronico e dà la possibilità di controllare in maniera congiunta chiller/pompe di calore e unità terminali fan coil per una gestione ottimale d'impianto, per un miglior confort e per una riduzione dei costi di gestione.

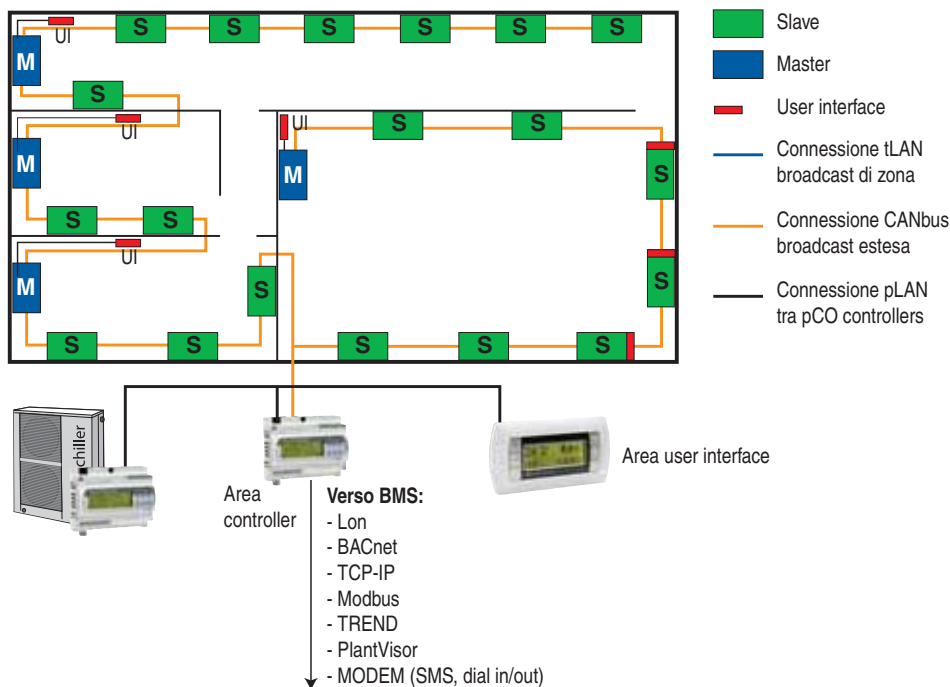
Tramite e-drobus si può anche collegare il sistema chiller/pompe di calore/fan coil ad un controllore di area per aumentare ulteriormente le potenzialità del sistema: possibilità di connessione a BMS, di monitoraggio remoto via modem, TCP/IP, etc.

e-drobus si divide a sua volta in 2 tipologie, asseconda della flessibilità richiesta: e-drobus Multimaster e e-drobus Ibrido.

### e-drobus Multimaster

L'e-drobus Multimaster è la soluzione ottimale per l'office building. Permette la semplice gestione dello spazio flessibile, tramite assegnazione software dei Master e degli Slave; permette il controllo completo di area (100 fan coil) tramite Controllore di Area e la gestione coordinata di fan coil e di chiller/pompe di calore.

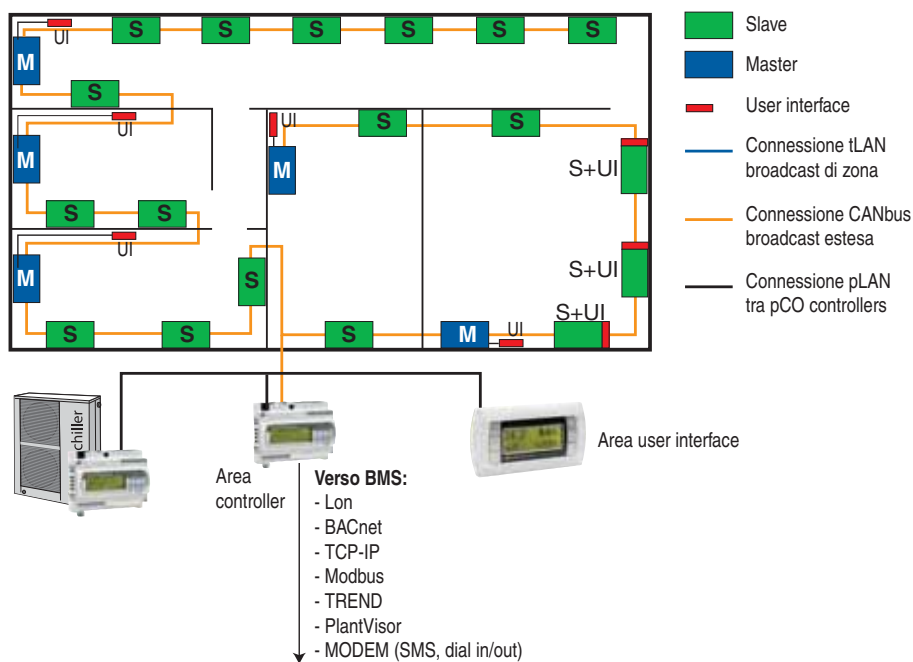
Si riprende l'esempio del broadcast esteso multizona per evidenziarne la facile estensibilità ad un sistema e-drobus completo. Anche in questo caso quindi è necessaria l'installazione della scheda opzionale CANbus su tutti i fan coil.



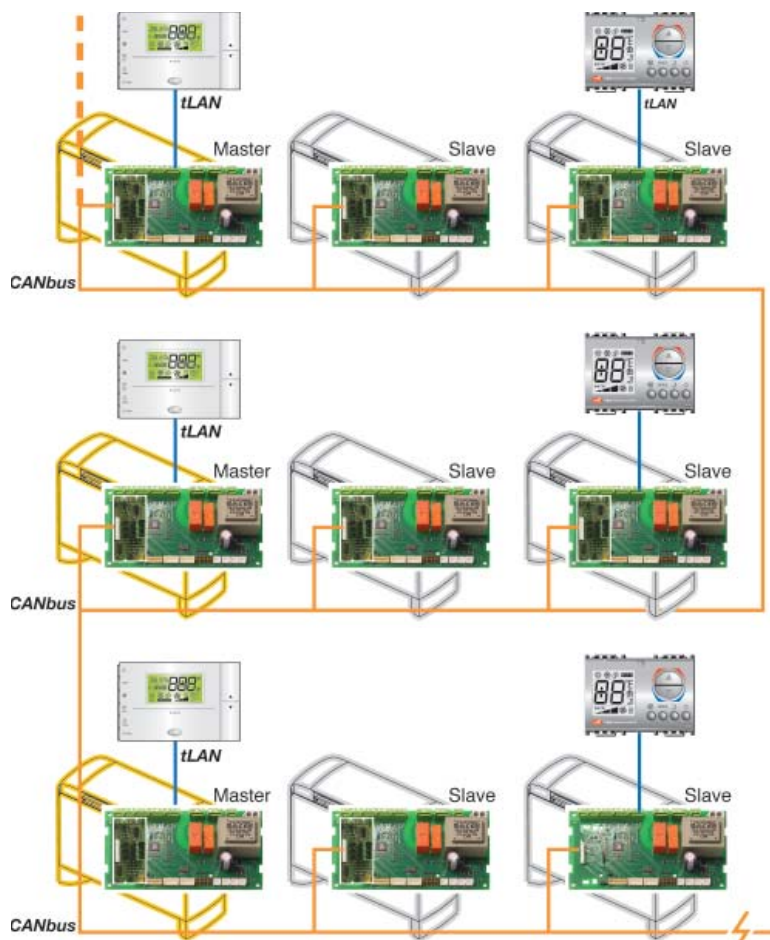
**Fig. 8** - Es. di installazione con e-drobus Multimaster. Ogni zona è controllata dal proprio master, sia master che slave sono connessi al controllore di area che coordina il funzionamento del chiller/HP con il funzionamento del sistema



Tramite e-drobus Multimaster è possibile risolvere con semplicità situazioni tipo "spazio flessibile" tramite una semplice riconfigurazione software dei master e degli slave senza bisogno di ricablaggi. Si veda l'esempio sotto.



**Fig. 9** - Es. di Spazio Flessibile con e-drobus Multimaster. Via software si definisce il master per la nuova zona e si ri-assegnano gli slave. Nessuna modifica ai cablaggi.



**Fig. 10** - Esempio di connessione e-drobus Multimaster



I dati tecnici sono:

- fino ad un massimo di 64 master;
- max 10 fan coil slave per ogni master;
- fino ad un massimo di 100 fan coil totali;
- max 1000 m totali;
- max 30 m tra il master e il suo terminale utente;
- i fan coil slave possono avere il loro terminale utente;

Lo standard di rete utilizzato è il CANbus usato in modalità standard CANOpen.

Con il sistema e-drobus tutti i fan coil devono essere indirizzati tramite il banco dip-switches presente sulla scheda CANbus o tramite indirizzamento software via terminale utente. L'assegnazione del master e degli slave ad ogni master viene anch'esso fatto via programmazione software ed è facilmente modificabile nel caso l'installazione lo richieda (spazio flessibile).

Sia i master che gli slave possono avere terminale utente, il funzionamento del terminale degli slave è coordinato dal master in modo che non ci siano conflitti di funzionamento.

Il sistema CANbus è bidirezionale per cui è possibile dal terminale utente del master avere informazioni sul funzionamento corretto o meno anche degli slave (feedback allarmi) ed il controllore di area ha pieno controllo e può monitorare indistintamente sia master che slave.

## e-drobus IBRIDO

L'e-drobus ibrido usa in modo congiunto sia lo standard CANbus che lo standard tLAN. È un sistema economicamente vantaggioso in quanto usa il CANbus (costo aggiuntivo della scheda di comunicazione) solo ove è necessario, collegamento dei fan coil master, ed usa la tLAN, economica e facile da installare, per la connessione master/slave.

Il sistema e-drobus Ibrido è indicato per quelle installazioni dove le caratteristiche peculiari dell'e-drobus Multimaster (possibilità di assegnazione master/slave via software, ovvero spazio flessibile, feedback allarmi dagli slave e slave con terminale utente) non sono necessarie.

Lo scenario tipico è quello della villa, villetta dove viene installato un master per zona (salotto, camera, cucina,..) e gli slave servono solamente per supportare l'azione termodinamica del master.

Ci sono due tipi di e-drobus Ibrido, la versione Integrata e la versione Estesa.

Nella versione **Integrata** il controllore pCO che controllo il chiller/HP si comporta anche da controllore di Area e gestisce in sinergia i due sistemi ottimizzando confort e costi di gestione. Il terminale utente del chiller diventa in questo caso anche terminale utente del sistema idronico con alcune schermate ad-hoc per i fan coil.

Nella versione **Estesa** c'è un controllore pCO dedicato che fa da controllore di Area. Il controllore di Area è quindi connesso in pLAN, rete multimaster RS485 con protocollo proprietario CAREL, al pCO che controlla il Chiller/HP.

La scelta tra una tipologia di impianto e l'altra è dettata dalle dimensioni richieste. Per la versione integrata infatti il numero massimo di fan coil master che si possono connettere con il chiller-area controller è limitato a 16. Per la versione estesa tale numero è il solito 64. Ad ogni master è possibile connettere, in tLAN, in modalità broadcast, fino ad un massimo di 5 slave.

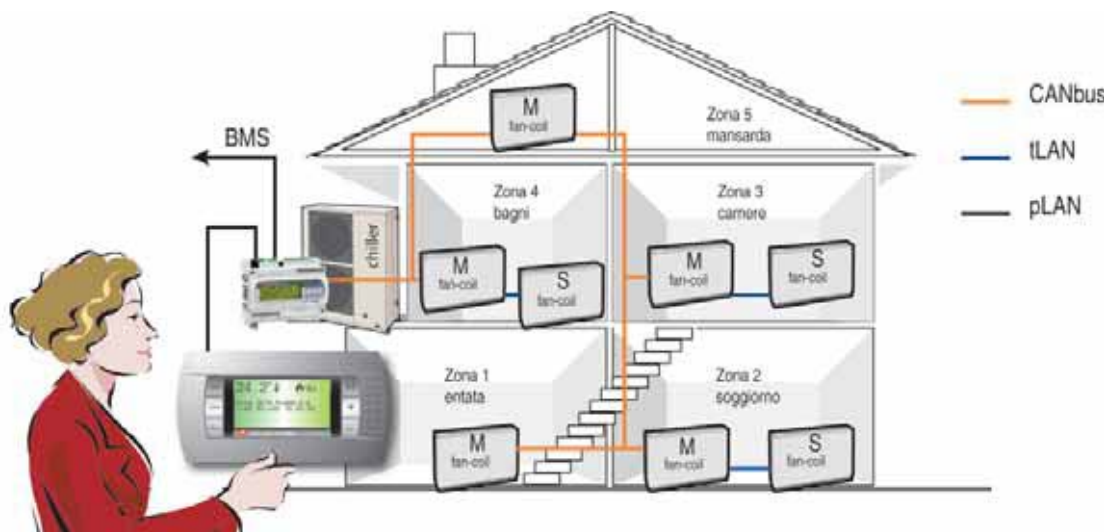
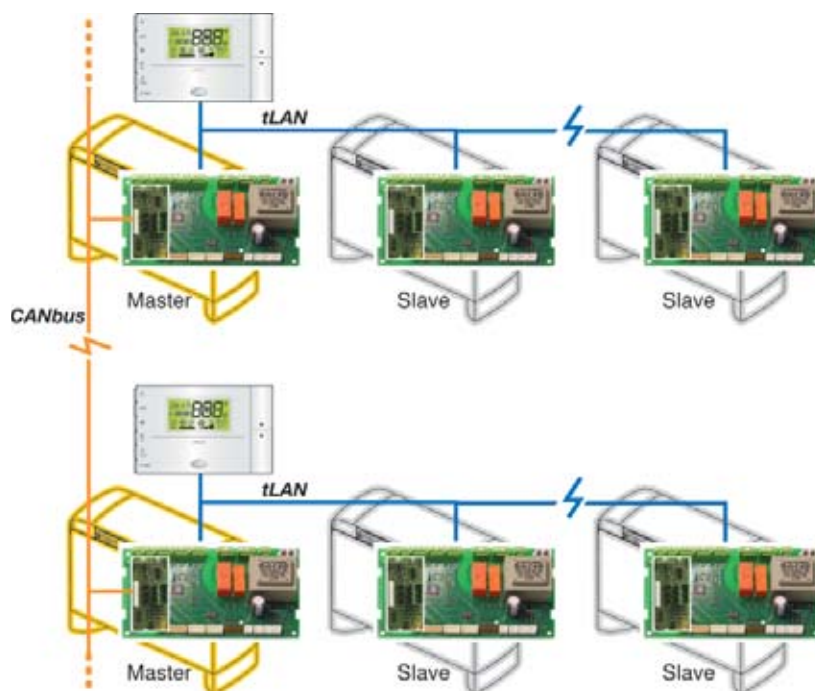


Fig. 11 - Es. di installazione con e-drobus Ibrido Integrato. Il controllore del chiller/HP è anche controllore di Area





**Fig. 12** - Es. connessione e-drobus Ibrido

I dati tecnici sono:

- fino ad un massimo di 100 periferiche di cui 64 master per la configurazione ibrida estesa;
- fino ad un massimo di 16 master per la configurazione ibrida integrata;
- max 5 fan coil slave in tLAN per ogni master;
- max 1000 metri totali per la rete CANbus dei master;
- max 30 m per la rete tLAN tra un master e i suoi slave;
- max 30 m tra il master e il suo terminale utente;
- i fan coil slave non possono avere il terminale utente;

Lo standard di rete utilizzato è il CANbus usato in modalità standard CANOpen.

Con il sistema e-drobus Ibrido solo i fan coil master devono avere la scheda di comunicazione CANbus installata ed essere indirizzati tramite dip-switches o tramite indirizzamento software via terminale utente. I master sono battezzati via software, gli slave non necessitano di configurazione alcuna ma devono semplicemente essere collegati al master di riferimento.

Solo i fan coil master possono avere il terminale utente.

Il sistema CANbus è bidirezionale per cui è possibile, dal controllore di area, avere pieno controllo e monitorare i dati di tutti i fan coil master collegati.

## Funzionalità del sistema e-drobus

Tramite il sistema e-drobus il fan coil master è in grado di controllare fino ad un massimo di 10 fan coil slave. La differenza principale dal sistema broadcast è che in questo caso la comunicazione è bidirezionale e il master è in grado di verificare il funzionamento degli slave, ricevere allarmi, etc.

La relazione master/slave è regolata da 2 parametri fondamentali: LOGICA e DIPENDENZA. Al parametro dipendenza, che determina quali informazioni lo slave deve "ascoltare" dal master, è legato il parametro di KEY LEVEL che determina il livello di blocco possibile della tastiera del terminale utente eventualmente collegato allo slave stesso.

### Parametro LOGICA

Il parametro logica determina l'algoritmo di come il Master interagisce con gli slave.

Le impostazioni del parametro sono:

LOGICA= 0: disabilitato, il master non invia alcun comando alle unità slave e non ne controlla alcuna variabile; il master è in attesa di comandi dal Controllore di Area o dal BMS.



Per le altre impostazioni riferirsi alla seguente tabella.

Dati propagati in funzione del parametro	LOGICA1	LOGICA2	LOGICA3	LOGICA4	LOGICA5	LOGICA6
ON/OFF	X	X	X	X	X	X
ECONOMY/SLEEP	X	X	X	X	X	X
Regolazione con valore sonda propagata dal fan coil master	X				X	X
Regolazione effettuata con valore sonda propagata dal chiller controller (pCO)		X				
Propagazione del set point del fan coil master	X	X				X
Propagazione della modalità di funzionamento e della funzione confort del fan coil master	X	X			X	X
Propagazione della velocità del ventilatore del fan coil master	X	X			X	X
Propagazione della modalità di funzionamento, della funzione confort, della velocità del fan e dello stato ON solo all'accensione del fan coil master			X			
Utilizzo di tutti i fan coil collegati (sia master che slave) della media delle sonde della zona per la regolazione				X		
Propagazione di set point diversificati per i vari slave di zona. I set point vengono specificati nei parametri dipendenza relativi					X	
Propagazione di offset (rispetto al set point del master) differenziati ai vari slave di zona. L'offset è specificato nei parametri dipendenza relativi						X

## Parametro DIPENDENZA

Il parametro DIPENDENZA, che è residente nelle sole unità Master ma che ha effetto solo per le unità Slave, determina il vincolo funzionale tra Master e Slave, ossia quali parametri l'unità Slave è tenuta a accettare dal pacchetto comandi proveniente dal master e quelli per i quali invece è indipendente.

DIPENDENZA= 0 - ignora qualunque comando da parte del Master

DIPENDENZA= 1 - considera ON/OFF, economy/sleep

DIPENDENZA= 2 - considera ON/OFF, economy/sleep, modalità di funzionamento

DIPENDENZA= 3 - considera ON/OFF, economy/sleep, set point, modalità di funzionamento, funzione di confort

DIPENDENZA= 4 - considera ON/OFF, economy/sleep, set point, modalità di funzionamento, funzione di confort, velocità del fan

DIPENDENZA= 5 - considera set point, modalità di funzionamento, funzione di confort

DIPENDENZA= 6 - considera set point, modalità di funzionamento, funzione di confort, velocità del fan

DIPENDENZA= 7 - accetta tutti i comandi da parte del Master

Per evitare conflitti e rendere più semplice l'uso dell'interfaccia utente ai diversi utilizzatori, il parametro dipendenza influisce sul parametro key level ossia, sull'abilitazione dei tasti del termostato locale.



## 4. Soluzioni per il BMS

I grossi edifici, banche, office building di 20 e più piani, centri commerciali, etc, sono solitamente gestiti in maniera centralizzata da sistemi BMS, sistemi a microprocessore che controllano il building environment, le luci, il sistema di sicurezza e anti-intrusione, etc. Tali sistemi comprendono una user interface centrale, una rete di comunicazione ed equipaggiamenti di controllo e di data acquisition.

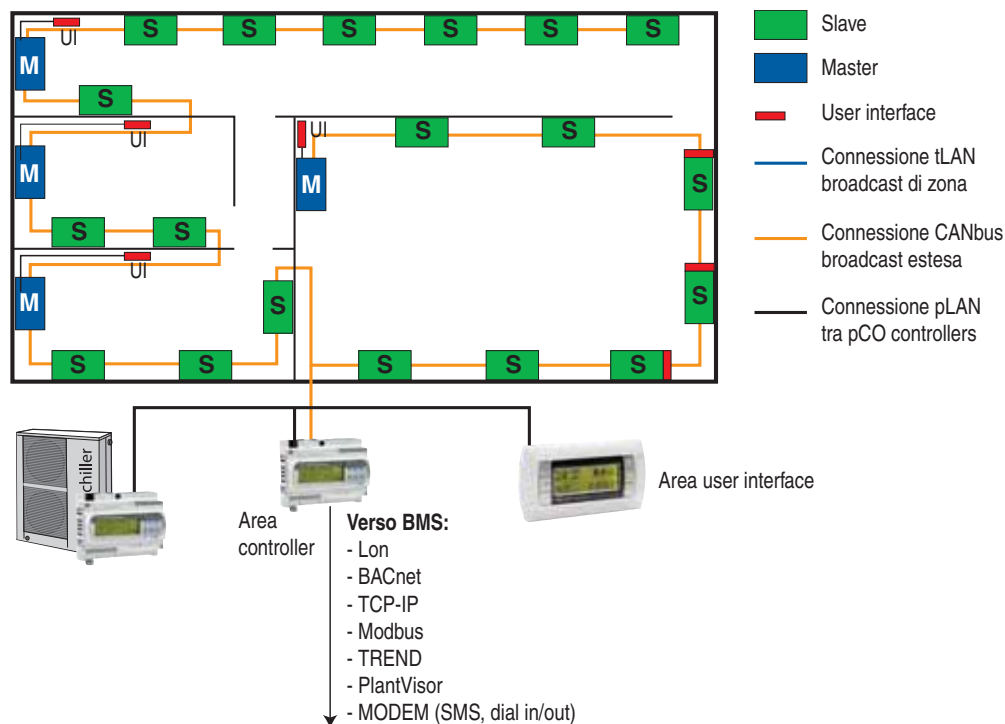
I principali player di mercato sono Siemens, Johnson Controls, Honeywell.

I protocolli principalmente usati sono: LON, N2, Profibus, EIB, Modbus, BACnet,...

Per quanto riguarda la compatibilità del sistema idronico con sistemi BMS CAREL offre 2 livelli di compatibilità:

- un **primo livello** è offerto a livello di controllore di area che essendo un controllore pCO offre tutte le interfacce di comunicazione disponibili per il pCO Sistema. In questo caso stiamo ancora parlando di sistema e-dronico con le caratteristiche e le peculiarità esposte nel capitolo precedente che diventa un atomo costitutivo del più grande impianto di BMS e a questo collegato per lo scambio di dati e il monitoraggio a livello centrale;
- un **secondo livello** è offerto direttamente a livello fan coil controller che offre una serie di interfacce di comunicazione con protocolli diversi. In questo caso non si parla più di sistema e-dronico, gli algoritmi di controllo sinergico di chiller/HP e fan coil non sono più disponibili in quanto sia il chiller che i fan coil sono collegati direttamente al sistema centrale di BMS. I fan coil controller in questo caso gestiscono in maniera indipendente il fan coil stesso e si interfacciano tramite la scheda di comunicazione scelta al sistema di BMS.

### Primo livello



**Fig. 13** - Esempio di interfacciamento del sistema e-dronico CAREL con un sistema BMS tramite Area Controller

Non è necessario avere un controllore di area per interfacciare un sistema e-dronico con un BMS, nel caso di sistema e-drobus integrato è lo stesso pCO che controlla chiller/HP e sistema e-dronico che tramite la sua seriale addizionale BMS può interfacciarsi con il Building Management System (valido solo per pCO<sup>1</sup> e pCO<sup>3</sup>).



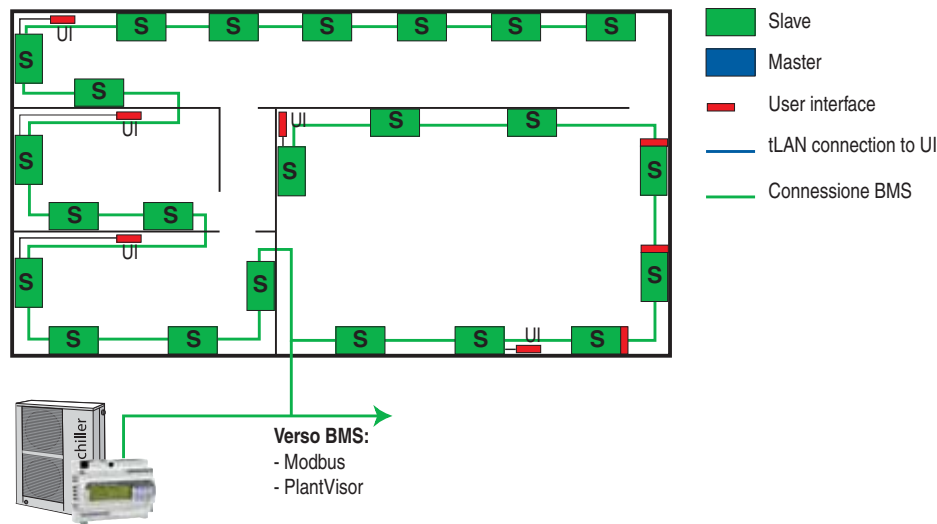
I protocolli disponibili per l'interfacciamento a BMS sono:

- Modbus su RS485;
- BACnet IP e Ethernet;
- BACnet RS485;
- LON FTT10;
- TREND su RS485;
- METASYS su RS485;
- TCP/IP su Ethernet con:
  - WEB Server
  - FTP (PUT & GET)
  - SNMP (v1 & v2)
  - DHCP

## Secondo livello

Il secondo livello riguarda l'interfacciamento diretto del fan coil singolo con il sistema BMS.

La situazione tipica è quella del general contractor che ha vinto la commessa per l'esecuzione del Building che ordina direttamente i componenti per la climatizzazione e li richiede con un protocollo compatibile per la connessione diretta al sistema centralizzato di BMS.



**Fig. 14** - Esempio di connessione di unità terminali fan coil e unità chiller direttamente al sistema di BMS

Per il pCO controller sono disponibili tutti i protocolli implementati per il pCO sistema, per il controllo fan coil la disponibilità è:

- CAREL protocol su RS485 (e quindi DLL di comunicazione);
- Modbus su RS485;
- CANopen su scheda CANbus (previsto per fine 2005);
- LON con profilo fan coil (previsto per fine 2005);

## 5. Tabella riassuntiva architettura reti

topologia	protocollo	n. max. di FC master	n. max. di FC totali	applicazioni tipiche
broadcast di zona	tLAN	1	6	singolo ufficio, piccolo negozio, piccola zona indipendente
broadcast esteso	CANbus	1	100	grande zona indipendente, lungo corridoio di albergo od ospedale, ufficio open-space
broadcast esteso multizone	CANbus	15	100	multi-zone indipendenti, di facile aggiornamento a topologia e-drobus
e-drobus IBRIDO Integrato	CANbus + tLAN	16	96	residenziale, piccolo terziario
e-drobus IBRIDO Esteso	CANbus + tLAN	64	384	terziario medio
e-drobus MULTIMASTER	CANbus	64	100	office buildings, spazio flessibile



## 6. Comparazione sistemi idronici e sistemi VRF

Due delle tipologie di impianti HVAC che oggi vanno per la maggiore sono i sistemi idronici e quelli VRF, a portata di refrigerante variabile. Entrambi presentano caratteristiche proprie e possibilità di applicazioni in svariate tipologie di edifici.

I sistemi idronici, rispetto ai sistemi VRF presentano una serie di vantaggi qui in tabella elencati:

vantaggio	descrizione
Costo installato competitivo	I sistemi VRF mantengono in circolazione una certa portata di refrigerante e richiedono l'esecuzione esperta di circuiti frigoriferi in rame. I sistemi idronici utilizzano invece solo acqua con normali circuiti idraulici in ferro o plastica. Quindi, a parità di capacità frigorifera installata il costo di realizzazione di un circuito idronico è di norma notevolmente inferiore a quello di un circuito ad espansione diretta.
Non ci sono limitazioni di lunghezza	per lo sviluppo dei circuiti idronici non esistono limitazioni di lunghezza, invece anche i più evoluti sistemi VRF non consentono sviluppi dei circuiti per più di 220 m.
Possibilità di modifiche con semplicità	È sempre possibile modificare senza particolari problemi un circuito idronico in opera. Questo dovuto a trasformazioni d'uso e di utilizzo degli edifici che sta diventando sempre più frequente. L'operazione, viste le maggiori complessità d'installazione, di un sistema VRF, diventa più onerosa per quest'ultimi.
Facilità di manutenzione	I chiller vanno da pochi kW fino a migliaia di kW di potenza con compressori scroll, a vite, centrifughi asseconda della potenza richiesta. I sistemi VRF, sono invece modulari con taglie da 6 a 30 kW, per rispondere ad esigenze di potenza maggiore devono essere quindi moltiplicati in moduli con evidenti problemi di manutenzione. Una taglia tipica di impianto in Italia è 300 kW= 1 chiller da 300 kW= 12 VRF da 25 kW ciascuno. Sebbene i sistemi VRF oggi abbiano sofisticati sistemi di controllo e di autodiagnosi, resta il fatto che, a parità di potenza resa, il numero di parti soggetto a manutenzione è notevolmente superiore rispetto e quello dei sistemi idronici.

Nell'esempio fatto abbiamo:

Componente	Sistema Idronico	VRF
No. Compressori	1 - screw	12 - scroll
No. Inverter su compressore	-	12
No. filtri	1	12
No. Valvole 4-vie	1	12
No. Ventilatori	3	12
No. Inverter per ventilatori	3	12
No. interruttori sicurezza compressori	1	12
No. interruttori sicurezza quadro elettrico	1	12
No. totale parti soggette a manutenzione	11	96
...	...	...

Conti alla mano, per un sistema del genere ci sono 85 componenti in più da gestire nel sistema VRF rispetto al sistema idronico.

Eventuali perdite d'acqua facilmente rilevabili	È inevitabile che nel tempo ci siano perdite di fluido termovettore o di refrigerante. Le perdite d'acqua sono facilmente individuabili e vi si può porre rimedio con facilità. Diverso è con le perdite di refrigerante che se non ripristinate con prontezza possono richiedere onerosi rifacimenti di carica. Inoltre con la nuova normativa Europea EN378 che disciplina la rilevazione delle perdite di refrigerante dei sistemi di climatizzazione e refrigerazione, e che quindi impone la presenza di sonde e di allarmi capaci di rilevare fughe di refrigerante, il costo installato del sistema VRF cresce ulteriormente.
Trasformazione d'impianti	Un sistema idronico può essere realizzato con componenti di costruttori diversi e lascia quindi ampia libertà per trasformazioni future e reperibilità componenti, anche eventualmente di costruttori diversi da quelli originali. I sistemi VRF per contro dipendono esclusivamente dal costruttore originale con notevoli problemi se il costruttore dovesse mettere in obsolescenza alcuni componenti del sistema, che potrebbero portare a notevoli oneri in caso di trasformazione dell'impianto se non addirittura costringere alla sua sostituzione.
Integrabilità con sistemi radianti	con il sistema idronico si possono implementare con semplicità soluzioni di tipo radiante: soffitti, pavimenti, pareti radianti o travi fredde.

Il sistema di controllo e-dronic CAREL fornisce una soluzione integrata dalle prestazioni avanzate, con ampie possibilità di modularità, che esalta e ottimizza le caratteristiche positive intrinseche del sistema idronico.



*Divulging, modifying, translating and/or reproducing this document, in part or in full, is prohibited without the written authorisation of CAREL S.p.A.*

È proibito divulgare, modificare, tradurre e/o riprodurre questo documento, in tutto o in parte, senza autorizzazione scritta di CAREL S.p.A.

# CAREL

Technology & Evolution

CAREL S.p.A.

Via dell'Industria, 11 - 35020 Brugine - Padova (Italy)

Tel. (+39) 049.9716611 - Fax (+39) 049.9716600

e-mail: carel@carel.com - www.carel.com

Agenzia / Agency