

MAX GAS 40 P  
MAX GAS 70 P  
MAX GAS 105 P  
MAX GAS 120 P



**Technical data**  
**Dati tecnici**  
**Données techniques**  
**Datos técnicos**  
**Технические характеристики**



**Operating instructions**  
**Istruzioni per l'uso**  
**Notice d'emploi**  
**Manual de uso**  
**Руководство по эксплуатации**



**Electric diagrams**  
**Schemi elettrico**  
**Schémas électrique**  
**Esquemas eléctrico**  
**Электрические схемы**



**Spare parts list**  
**Pièces de rechange**  
**Parti ricambi**  
**Запчасти**  
**Piezas de recambio**



420010372802

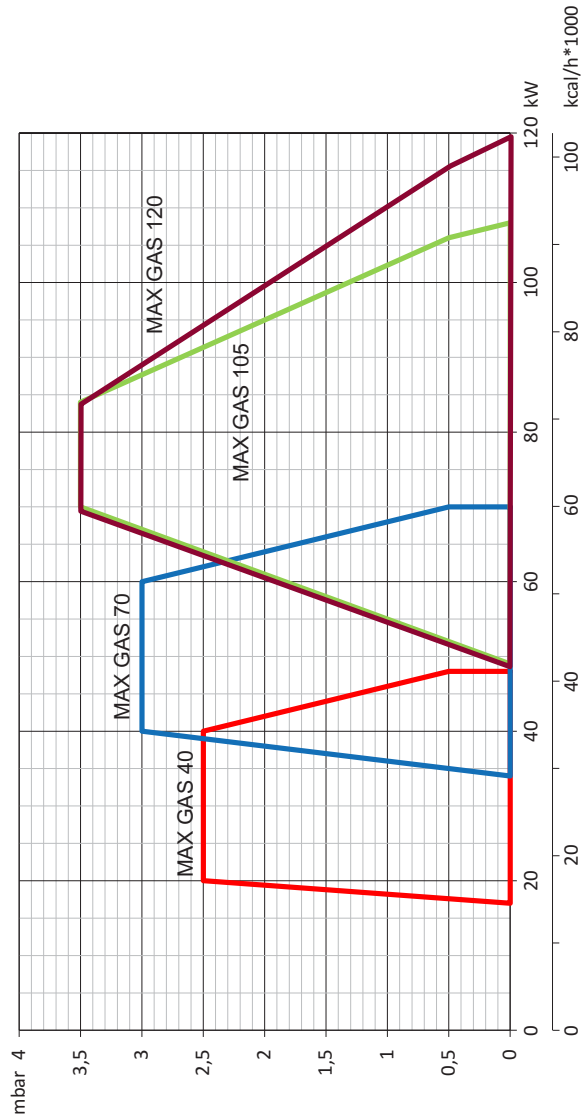
MAX GAS 40 LN P TC SGT 230-50-60 TW	3142741
MAX GAS 40 LN P TL SGT 230-50-60 TW	3142742
MAX GAS 70 LN P TC SGT 230-50-60 TW	3142743
MAX GAS 70 LN P TL SGT 230-50-60 TW	3142744
MAX GAS 105 LN P TC SGT 230-50-60 TW	3142745
MAX GAS 105 LN P TL SGT 230-50-60 TW	3142746
MAX GAS 120 LN P TC SGT 230-50-60 TW	3142747
MAX GAS 120 LN P TL SGT 230-50-60 TW	3142748

**Overview - Index of contents / Panoramica - Indice dei contenuti / Vue d'ensemble - Table des matières**  
**Descripción - Sumario / Обзор - Содержание**

Technical data Dati tecnici Données techniques Datos técnicos Технические характеристики	EN IT FR ES RU	3
Working fields Campi di lavoro Domaine de fonctionnement Ámbito de funcionamiento Рабочий диапазон	EN IT FR ES RU	4
Dimensions Dimensioni Dimensions Dimensiones Размеры	EN IT FR ES RU	5
Operating instructions for authorised specialists	EN	6 - 15
Istruzione per l'uso per il personale qualificato	IT	16 - 25
Notice d'emploi pour l'installateur spécialiste	FR	26 - 35
Instrucciones de montaje para el instalador especialista	ES	36 - 45
Инструкция по эксплуатации Предназначено для квалифицированных специалистов по установке	RU	46 - 55
Pre-setting diagrams Diagrammi di pre-taratura Diagrammes de pré-configuration Diagramas de la pre-configuración диаграммы pre-установки	EN IT FR ES RU	56 - 58
Electric diagrams Schemi elettrico Schémas électrique Esquemas eléctrico Электрические схемы	EN IT FR ES RU	59
Spare parts list Parti di ricambio Pièces de rechange Piezas de recambio Запчасти	EN IT FR ES RU	60 - 63

## Overview / Panoramica / Vue d'ensemble / Descripción / Обзор

Technical data - Dati tecnici - Données techniques - Datos técnicos - Технические характеристики		MAX GAS 40 P		MAX GAS 70 P		MAX GAS 105 P		MAX GAS 120 P				
Burner output min/max kW - kcal/h	Potenza bruciatore min/max kW - kcal/h	Puissance du brûleur min/max kW - kcal/h	Potencia del quemador min/máx kW - kcal/h	Мощность горелки мин./макс., кВт - ккал/час	17	48	34	70	49	108	40	120
Operation 1 stage	Funcionamiento 1 stadio	Fonctionnement 1 allure	Funcionamiento 1 etapa	Модификация 1 ступень	14.620	41.280	29.240	60.200	42.140	92.880	34.400	103.200
Regulating ratio	Rapporto di regolazione	Rapport de régulation	Relación de regulación	Коэффициент регулирования	1	1	1	1	1	1	1	1
Fuel	Combustibile	Fuel	Combustible	Топливо	1:1							
Emission class	Classe di emissione	Classe d'émission	Tipo de emisión	Класс выделения загрязняющих веществ	G20 (L.C.V. 8.570 kcal/Nm <sup>3</sup> ), G25 (L.C.V. 7.370 kcal/Nm <sup>3</sup> ) G31 (L.C.V. 22.260 kcal/Nm <sup>3</sup> ), G30 (L.C.V. 29.320 kcal/Nm <sup>3</sup> )							
Control box	Apparecchiatura di controllo	Coffret de sécurité	Cajetín de seguridad	Блок управления и безопасности	E-BCU Ecoflam							
Gas train	Rampa gas	Rampe gaz	Rampa de gas	Газовая рампа	GAS TRAIN TABLE - DIFFERENT MODELS / CONFIGURATIONS							
Gas connection	Allacciamento gas	Raccordement gaz	Conexión de gas	Подсоединение газа	Rp1/2"		Rp1/2"		Rp1/2"		Rp1/2"	
Gas input pressure	Pressione di ingresso gas	Pression d'entrée du gaz	Presión de entrada del gas	Давление газа на входе	12-360 mbar (SEE GAS TRAIN MATCHING TABLE)							
LPG input pressure	Pressione di ingresso LPG	Pression d'entrée du gaz propane	Presión de entrada LPG	Давление LPG на входе	30-360 mbar (SEE GAS TRAIN MATCHING TABLE)							
Air regulation Air flap	Regolazione aria Serranda dell'aria	Réglage de l'air Volet d'air	Ajuste del aire Válvula de aire	Настройка подачи воздуха Воздушная заслонка	-	-	-	-	-	-	-	-
Flame monitor	Rivelatore di fiamma	Surveillance de flamme	Vigilancia de llama	Контроль пламени	ionisation		ionisation		ionisation		ionisation	
Ignition transformer	Trasformatore d'accensione	Allumeur	Encendedor	Устройство розжига	danfoss / cofi		danfoss / cofi		danfoss / cofi		danfoss / cofi	
Electric motor rpm - watt	Motore elettrico giri motore - watt	Moteur rpm - watt	Motor rpm - watt	Электродвигатель об/мин - Вт	2800 rpm		2800 rpm		2800 rpm		2800 rpm	
Voltage	Tensione	Tension	Tensión	Напряжение	75 W		75 W		75 W		75 W	
Power consumption (operation)	Potenza elettrica assorbita (Esercizio)	Puissance électrique absorbée (en service)	Potencia eléctrica absorbida (en funcionamiento)	Потребляемая электрическая мощность: (при работе)	230 V / 50-60 Hz							
Weight	Peso	Poids	Peso	Приблизительная масса	7 kg		7,5 kg		8 kg		8 kg	
Protection level	Classe di protezione	Indice de protection	Indice de protección	Класс электрозащиты	IP40							
Sound pressure level dB(A)	Livello pressione sonora dB(A)	Niveau pression acoustique dB(A)	Nivel de presión acústico dB(A)	Уровень шума, dB(A)	60		65		65		65	
Ambient temp. for storage	Temperatura ambiente di stoccaggio	Température ambiente de stockage	Temperatura ambiente de almacenamiento	Температура хранения	-20°...+70° C							
Temperature for use	Temperatura d'utilizzazione	Température d'utilisation	Temperatura ambiente de utilización	Рабочая температура	-10°...+60° C							



**Working field**

The working field shows burner output as a function of combustion chamber pressure. It corresponds to the maximum values specified by EN 267 measured at the test fire tube.

**The efficiency rating of the boiler should be taken into account when selecting a burner.**

Calculation of burner output:

$$QF = \frac{Q_N}{\eta_K}$$

QF = Burner output (kW)

Q<sub>N</sub> = Rated boiler output (kW)

η<sub>K</sub> = Boiler efficiency (%)

**Curva**

Il campo di attività indica la potenza del bruciatore in funzione della pressione della camera di combustione.

Corrisponde ai valori massimi previsti dalla norma EN 267 misurati sul tubo della fiamma di controllo.

**In occasione della scelta del bruciatore si deve tenere conto del rendimento energetico della caldaia.**

Calcolo della potenza della caldaia:

$$QF = \frac{Q_N}{\eta_K}$$

QF= potenza della caldaia (kW)

Q<sub>N</sub>= potenza nominale della caldaia (kW)

η<sub>K</sub> = rendimento energetico della caldaia (%)

**Domaine de fonctionnement**

Le domaine de fonctionnement correspond aux valeurs mesurées lors de l'homologation.

Elle correspond aux valeurs max mesurées sur tunnel d'essai d'après l'EN 267.

**Pour le choix du brûleur, tenir compte du rendement de la chaudière.**

Calcul de la puissance calorifique:

$$QF = \frac{Q_N}{\eta_K}$$

QF= Puissance calorifique (kW)

Q<sub>N</sub>= Puissance nominale chaudière (kW)

η<sub>K</sub> = Rendement chaudière (%)

**Ámbito de funcionamiento**

El ámbito de funcionamiento corresponde a los valores registrados en el momento de la homologación.

Corresponde a los valores max medidos en el túnel de ensayo según la EN 267.

**Para la elección del quemador, se ha de tener en cuenta el rendimiento de la caldera.**

Cálculo de la potencia calorífica:

$$QF = \frac{Q_N}{\eta_K}$$

QF = Potencia calorífica (kW)

Q<sub>N</sub> = Potencia nominal de la caldera (kW)

η<sub>K</sub> = Rendimiento de la caldera (%)

**Рабочий диапазон**

Рабочий диапазон соответствует значениям, измеренным при сертификации.

Он соответствует максимальным значениям, измеренным в соответствии со стандартом EN 267 в стандартном канале.

**При выборе горелки необходимо учитывать КПД котла.**

Расчет тепловой мощности:

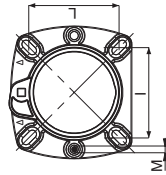
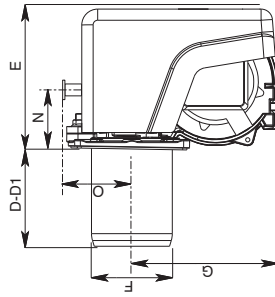
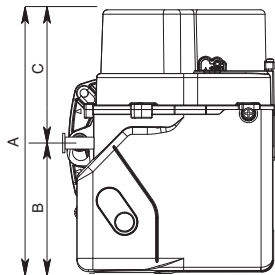
$$QF = \frac{Q_N}{\eta_K}$$

QF = Тепловая мощность, кВт

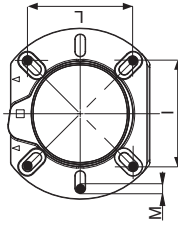
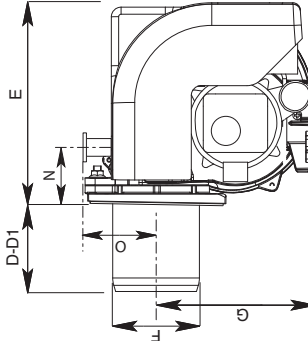
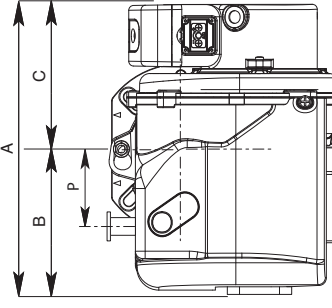
Q<sub>N</sub>= Номинальная мощность котла, кВт

η<sub>K</sub> = КПД котла, %

MAX GAS 40



MAX GAS 70 - 105 - 120

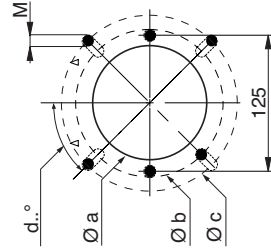


Model	A	B	C	D	D1	E	F	G	I	L	M	N	O	P
MAX GAS 40 P	288	143	145	85	185	153	89	160	92/107	92/107	M8	54	73	-
MAX GAS 70 P	303	155	148	85	185	204	89	160	100/120	100/120	M8	52	71	82
MAX GAS 105 P	317	169	148	140	220	204	89	160	100/120	100/120	M8	52	71	82
MAX GAS 120 P	317	169	148	160	240	204	98	160	100/120	100/120	M8	52	71	82

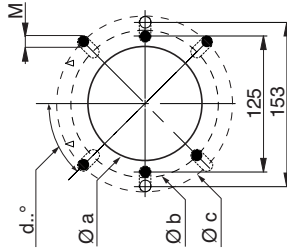
**Boiler plate drilling**

Model	Ø a	Ø b	Ø c	d°
MAX GAS 40 P	100	130	150	45°
MAX GAS 70 P	110	140	170	45°
MAX GAS 105 P	110	140	170	45°
MAX GAS 120 P	110	140	170	45°

MAX GAS 40

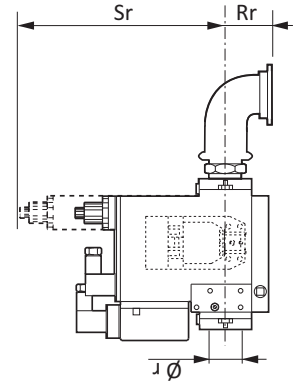
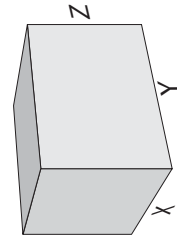


MAX GAS 70-105-120



**Packaging**

Model	X	Y	Z	Kg
MAX GAS 40 P	415	400	310	8,5
MAX GAS 70 P	400	520	300	9
MAX GAS 105 P	400	520	300	9,5
MAX GAS 120 P	400	520	300	9,5



GAS TRAIN DIMENSIONS:  
refer to GT manual

## Contents - Index - General warnings - Conformity declaration

<b>Overview</b>	Technical data	3
	Working fields	4
	Dimensions	5
<b>Contents</b>	Index	6
	General warnings	6
	Conformity declaration	6
	Burner description	7
<b>Function</b>	General safety functions	8
	E-BCU GAS control and safety unit	9
<b>Installation</b>	Burner assembly	10
	Electrical connection	11
	Checks before commissioning	11
<b>Start up</b>	Adjusting burner output	12
	Air pressure switch adjustment - setting gas pressostat	13
<b>Service</b>	Maintenance	14
	Troubleshooting	15
<b>Overview</b>	Pre-setting diagrams	56-58
	Electrical diagrams	59
	Spare parts list	60-63

### Important notes

MAX GAS 40-120 P burners are designed for the low-pollutant combustion of natural gas and Liquefied Petroleum Gas. The design and function of the burners comply with standard EN676. Assembly and commissioning must be carried out only by authorised specialists and all applicable guidelines and directives must be observed.

### Burner description

MAX GAS 40-120 P are single-stage, fully automatic, monoblock type burners. The special design of the burner head provides low-polluting combustion with high efficiency. In line with testing as defined by EN676, the values comply with emissions class 3 (NO<sub>x</sub><80mg/kWh) Emissions values may differ, depending on combustion chamber dimensions, combustion chamber load and the firing system (three-pass boilers, boilers with reverse firing). They are suitable for use with all heat generators complying with EN 303 or for use with hot air generators complying with DIN 4794, and DIN 30697 within their respective performance range.

Use for any other application requires the approval of Ecoflam.

The following standards should be observed in order to ensure safe, environmentally sound and energy-efficient operation:

#### EN 676

Forced-draught gas burners

#### EN 226

Connection of fuel oil and forced-draught gas burners to a heat generator.

#### EN 60335-1, -2-102

Specification for safety of household and similar electrical appliances, particular requirements for gas burning appliances.

#### Installation location

The burner must not be operated in rooms containing aggressive vapours (e.g. spray, perchloroethylene, hydrocarbon tetrachloride, solvent, etc.) or tending to heavy dust formation or high air humidity. Adequate ventilation must be provided at the place of installation of the furnace system to ensure a reliable supply with combustion air.

### Declaration of conformity for gas burners

We,

### Ecoflam Bruciatori S.p.A.

declare under our sole responsibility that the gas burners named

### MAX GAS

conform to the following standards:

EN 676: 2008  
 EN 60335-1: 2008  
 EN 60335-2-30: 2006  
 EN 60335-2-102: 2007  
 EN 55014-1: 2008 + A1: 2009  
 EN 55014-2: 1998 + A1: 2001 + A2: 2008

These products bear the CE mark in accordance with the stipulations of the following directives:

2009/142/EEC Gas Appliance Directive  
 2006/95/EEC Low Voltage Directive  
 2004/108/EEC EMC Directive  
 2006/42/EC Machinery directive

Resana, 28<sup>th</sup> June 2011  
 M. PANIZZON

Variations may arise as a result of local regulations.

### We can accept no warranty liability whatsoever for loss, damage or injury caused by any of the following:

- Inappropriate use.
- Incorrect assembly or repair by the customer or any third party, including the fitting of non-original parts.

### Provision of the system and the operating instructions

The firing system manufacturer must supply the operator of the system with operating and maintenance instructions on or before final delivery. These instructions should be displayed in a prominent location at the point of installation of the heat generator, and should include the address and telephone number of the nearest customer service centre.

### Notes for the operator

The system should be inspected by a specialist at least once a year. It is advisable to take out a maintenance contract to guarantee regular servicing.

Ecoflam burners have been designed and built in compliance with all current regulations and directives.

All burners comply to the safety and energy saving operation regulations within the standard of their respective performance range. The quality is guaranteed by a quality and management system certified in accordance with ISO 9001:2008.



## Contents - Burner description

### MAX GAS 40 LN P TC - SGT 230-50-60 TW

#### RANGE NAME BY FUEL TYPE

MAX GAS Gas

#### MODEL SIZE (Gas: kW; Oil: kg/h)

MAX 40 40 kW

#### EMISSION COMBUSTION TYPE

LN Low NOx Class 3 GAS EN676 (<80 mg/kWh)  
 - Standard Class 2-GAS EN676 (<120 mg/kWh)

#### OPERATION TYPE

P 1 stage

#### HEAD TYPE

TC Short head  
 TL Long head

#### FUEL

Natural gas  
 LPG LPG

#### EQUIPMENT

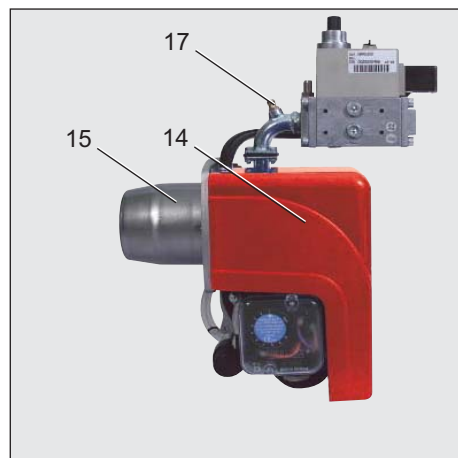
SGT Separate gas train

#### ELECTRICAL SUPPLY TO THE SYSTEM

230-50-60 230 Volt, 50-60 Hz

#### CONTROL BOX

TW Thermowatt



- A1 E-BCU Gas control unit
- F6 Air pressure switch
- M1 Electric motor
- T1 Ignition transformer
- Y Graduated rod for head adjustment
- 3 Air regulation in the burner head
- 5 Housing
- 8 Blast tube
- 10 Wieland socket
- 14 Burner hood
- 15 Burner flange
- 16 Reset key
- 17 Measuring point for gas pressure
- 103B Air regulation
- 113 Air intake

#### Scope of delivery

The burner is delivered in a modular system of packagings i.e. separate set/box:

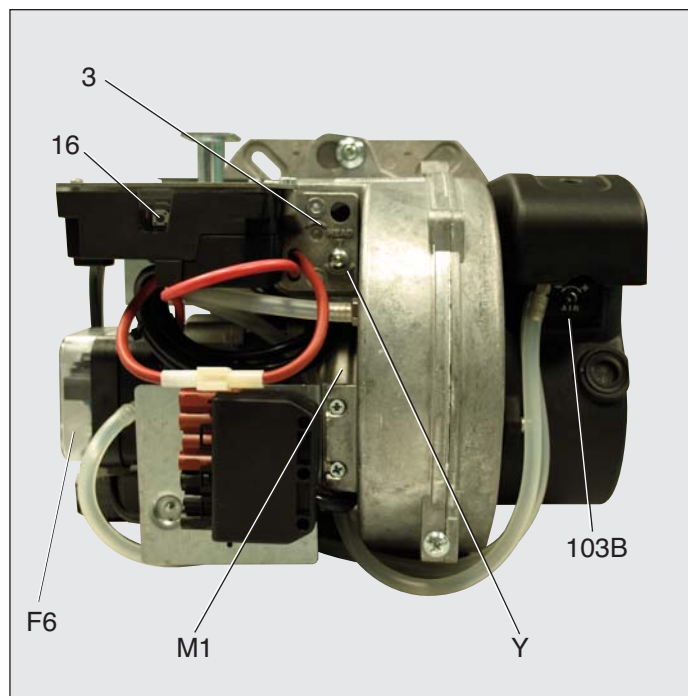
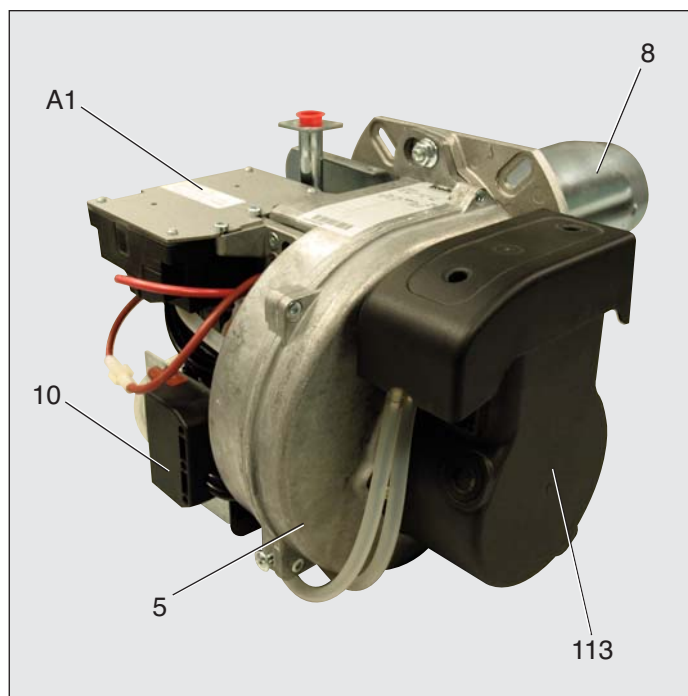
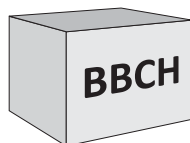
**BBCH:** Burner Body with Combustion Head with flange.

- 1 bag including :- multilanguage technical manual.
- wieland plug.
- spanner.
- screws, nuts and washer.

**GT:** separate Gas Train

**KIT & ACS** are managed and delivered separately

**KIT & ACS delivered separately**



## Function - General safety functions

### Description of functions

When the system is switched on for the first time, after a power failure or safety shutdown, after a lack of gas or after the system has been out of operation for 24 hours, the pre-ventilation period of 24 seconds begins.

### During pre-purge period:

- blower pressure is monitored
- the combustion chamber is monitored for flame signals.

### At the end of the pre-purge period:

- ignition is switched on.
- main and safety valve are opened.
- burner starts.

### Monitoring

The flame is monitored by an ionisation probe. The probe is insulated and fitted to the gas head and is routed through the flame disc into the flame zone. The probe must not have any electrical contact with earthed parts. The burner switches to lock-out if a short circuit occurs between the probe and the burner earth.

During burner operation, an ionised zone is produced in the gas flame through which a rectified current flows from the probe to the burner head. The ionisation current must be at least 1,5 µA.

### Safety functions

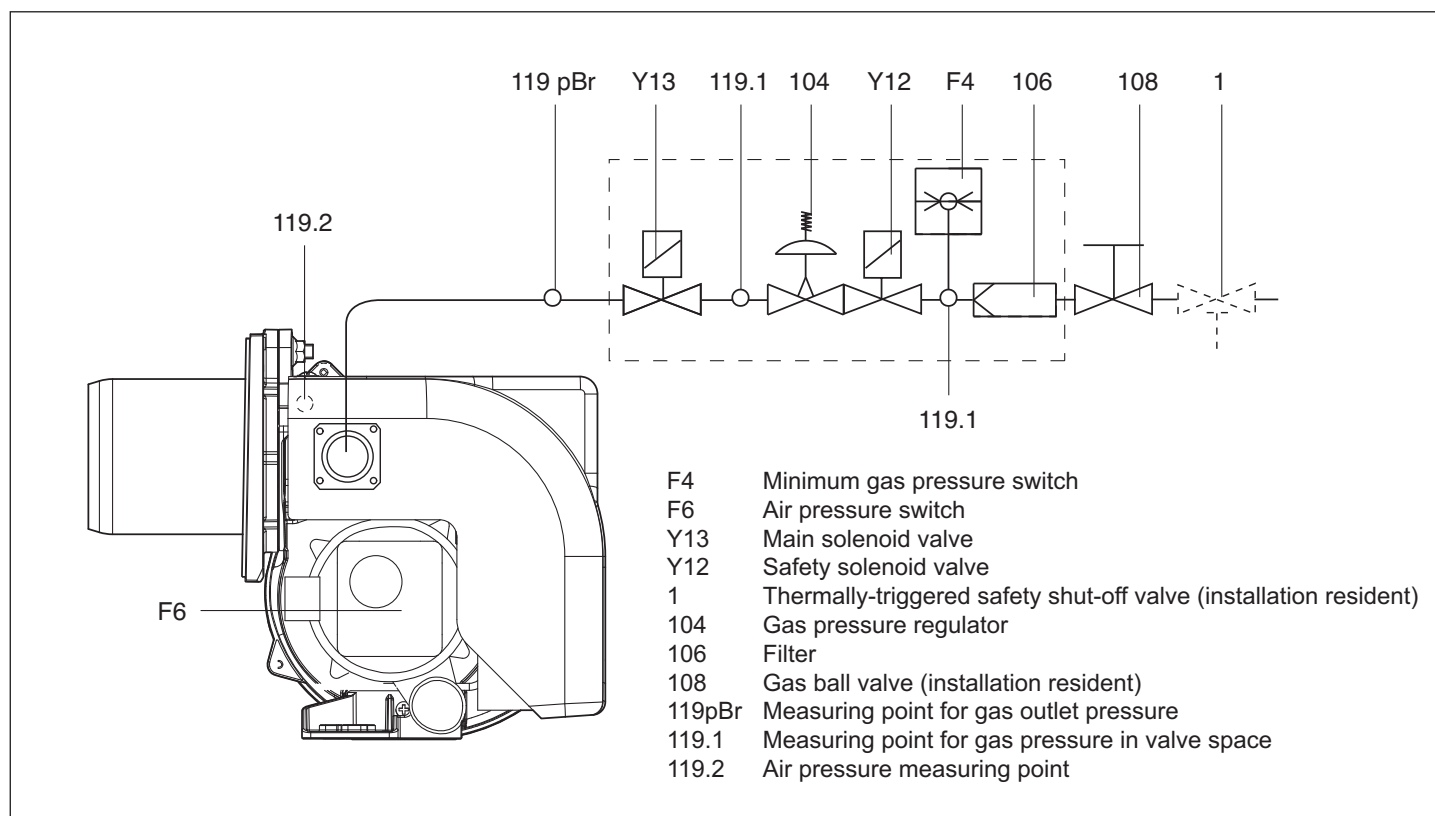
- If no flame is produced when the burner is started (gas release), the burner will be switched off at the end of the safety period, lasting no more than 3 seconds, and the gas valve will close.
- If the flame goes out during operation, the gas supply is interrupted within one second. A restart takes place. Once the burner starts, operation is continued.

Otherwise, a safety lock-out occurs.

- If there is a lack of air during reventilation or operation, a safety lock-out occurs.
  - If there is a lack of gas, the burner does not begin operation or switches off. A waiting time of 2 minutes follows. This is followed by a further start attempt. If there is still no gas pressure, a further waiting time of 2 minutes follows. The waiting time can only be reset by interrupting the power supply to the burner.
- Waiting times: 3 x 2 min, then 1 hour.

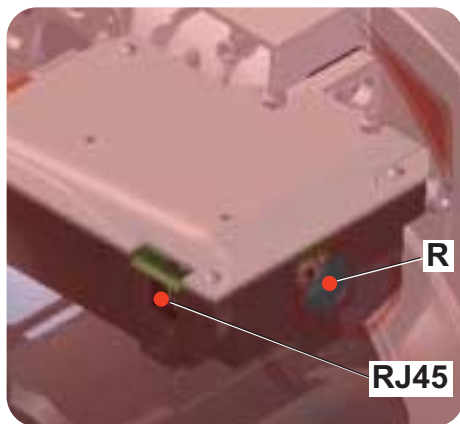
### In the event of controller shutdown

- Controller thermostat interrupts heat request.
- Gas solenoid valves close.
- Flame goes out.
- Burner motor switches off.
- Burner is ready for operation.





## Function - E-BCU GAS control and safety unit



The E-BCU GAS fuel gas/LPG control and safety unit controls and monitors the forced draught burner. The microprocessor-controlled program sequence ensures maximum stability of time periods, regardless of fluctuations in the power supply or ambient temperature. The design of the automatic combustion control unit protects it from the effects of brownouts. Whenever the supply voltage drops below its rated minimum level (170 V), the control unit shuts down - even in the absence of a malfunction signal. The control unit switches itself back on again once the voltage has exceeded the 178 V.

### Locking and unlocking the system

The control unit can be locked (switched to malfunction) and unlocked (malfunction cleared) by pressing the R reset button, provided the system is connected to the mains power supply.

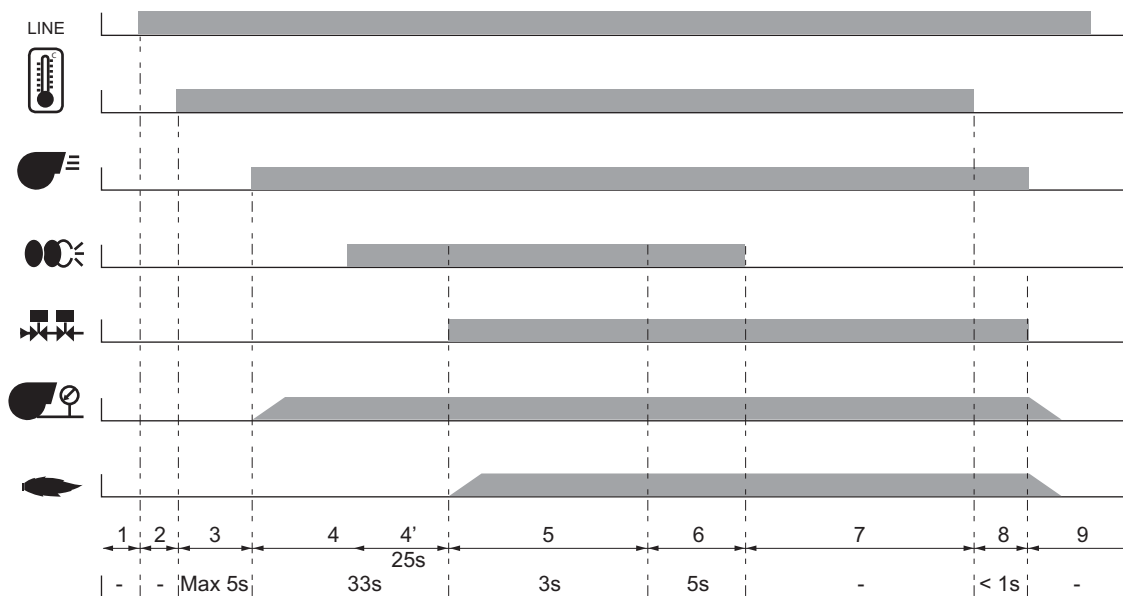
- R** - Reset button + lock-out led.
- RJ45** - Connector for PC interface (diagnostic, separate item).

**!** Always disconnect the power supply before installing or removing the control unit  
Do not attempt to open or carry out repairs on the control unit

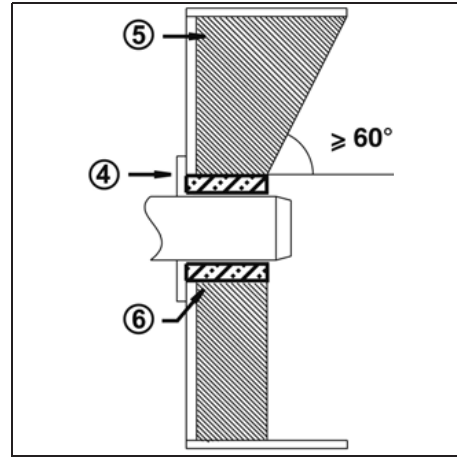
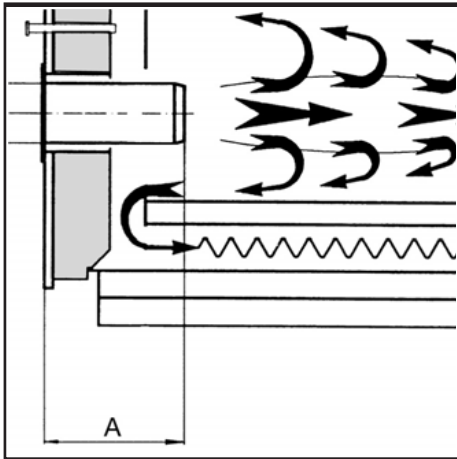
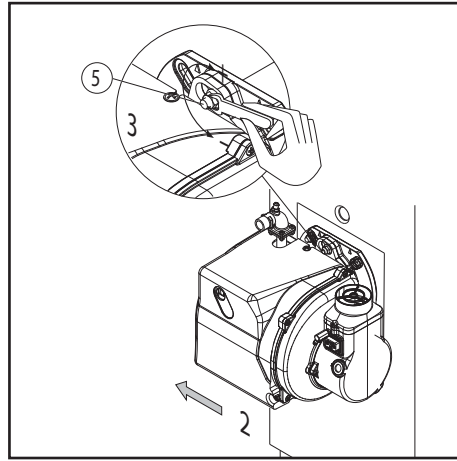
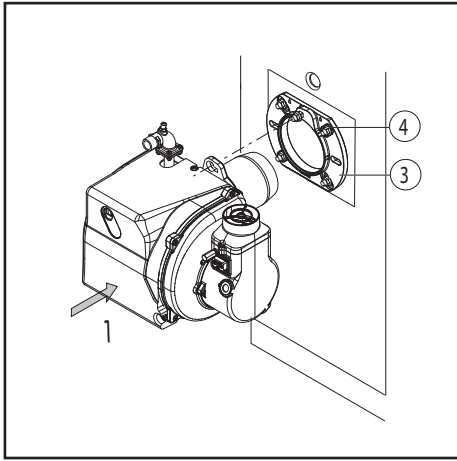


KIT E-BCU  
DIAGNOSTIC TOOL  
(not supplied)

Symbol	Designation
	Waiting for heat request
	Fuel valve
	Waiting for air pressure switch during burner start
	Burner motor on
	Ignition transformer on
	Flame present



## Installation - Burner assembly

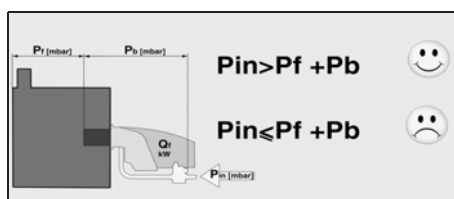
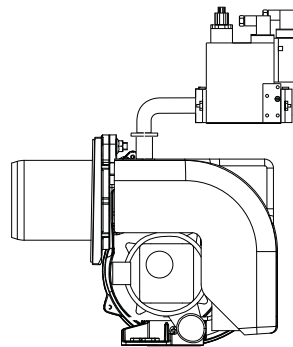


### Gas lines

When installing the gas lines and gas train, the general EN676 directives and guidelines must be observed. EN676 compulsory kit and accessories in order to comply to the safety regulations. Additional accessories and kits shall be installed by the installer in accordance to the local safety regulations and codes of practise.

### General regulations applying to the gas connection

- The gas train must only be connected to the gas mains by a recognised specialist.
- The cross-section of the gas line should be of a size designed to guarantee that the gas flow pressure does not drop below the specified level.
- A manual shut-off valve (not supplied) must be fitted upstream of the gas train.



### LEGENDA

Pf: Back pressure of furnace  
 Pb: Pressure of burner (combustion head + complete gas train)  
 Pin: Minimum inlet pressure

### Burner assembly

The burner is fixed by mean of connecting flange and therefore to the boiler.

### Installation:

- fix the flange 3 to the boiler with the screws 4
- turn the burner slightly, guide it into the flange and secure using screw 5

### Removal:

- loosen screw 5
- turn the burner out and pull it out of the flange

### Burner blast tube insertion depth and brickwork

Unless otherwise specified by the boiler manufacturer, heat generators without a cooled front wall require brickwork or insulation 5 as shown in the illustration. The brickwork must not protrude beyond the leading edge of the blast tube, and should have a minimum conical angle of 60°. Gap 6 must be filled with an elastic, non-combustible insulation material. For boilers with reverse firing, the minimum burner tube insertion depth A as specified in the boiler manufacturer's instructions must be observed.

### Exhaust system

To avoid unfavourable noise emissions, right-angled connectors should not be used on the flue gas side of the boiler.

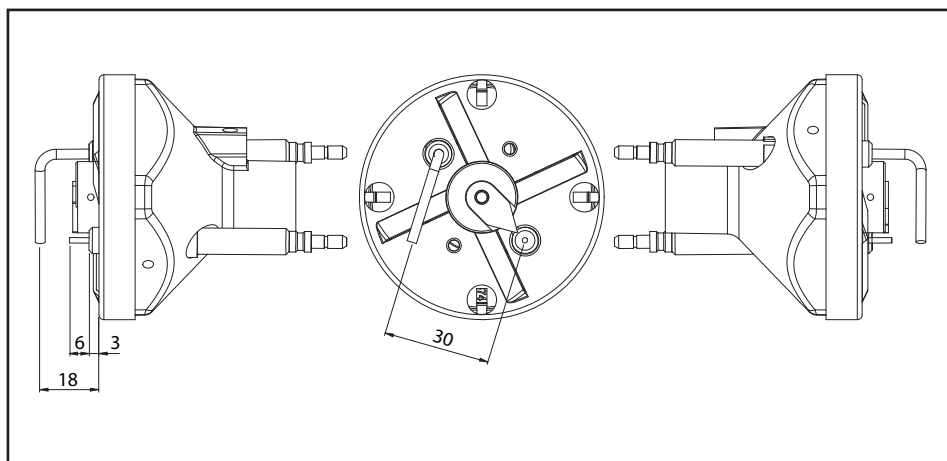
### LPG TRANSFORMATION

KITLPG-MAXGAS...

For operation with Liquefied Petroleum Gas, it is necessary to order the kit and follow the instructions given in the specific manual.



## Installation - Electrical connection - Checks before commissioning



### Position of electrodes

Setting the ionisation probe and ignition electrode: see diagram  
Always check the position of the electrodes after service or substitution or assembly of LPG kit as wrong position might cause ignition problem.

### Electrical connection

The electrical installation and connection work must only be carried out by an authorised electrical specialist. All applicable rules and regulations must be observed.

The electrical installation should include a type A circuit breaker.

**The applicable guidelines and directives must be observed, as well as the electrical circuit diagram supplied with the burner!**

- Check to ensure that the power supply voltage is as specified in the electric diagram and in data plate.
- Burner fuse: 5 A.

### Electrical connection (plug-in)

It must be possible to disconnect the burner from the mains using an omnipolar shutdown device complying with the standards in force. The burner and heat generator (boiler) are connected by a 7-pin connector (fig.1).

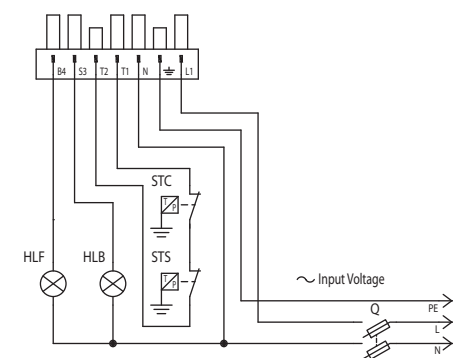
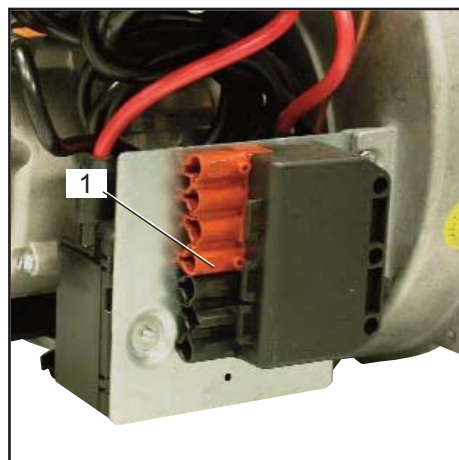
### Connecting the gas train

Connect the gas train to the plugs on the burner.

### Ionisation current measurement

To measure the ionisation current, disconnect connector B10 and connect a multimeter with a measuring range of 0-100  $\mu$ A.

The ionisation current must be at least 1,5  $\mu$ A. It is also possible to read the ionisation current on the display of the E-BCU diagnostic tool.

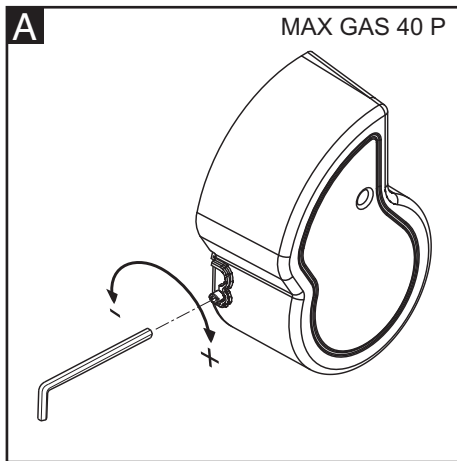


### Checks before commissioning

The following must be checked before initial commissioning:

- That the burner is assembled in accordance with the instructions given here.
- That the burner is pre-set in accordance with the values in the adjustment table.
- Setting the combustion components.
- The heat generator must be ready for operation, and the operating regulations for the heat generator must be observed.
- All electrical connections must be correct.
- The heat generator and heating system must be filled with water and the circulating pumps must be in operation.
- The thermostats, pressure regulator, low water detectors and any other safety or limiting devices that might be fitted must be connected and operational.
- The exhaust gas duct must be unobstructed and the secondary air system, if available, must be operational.
- An adequate supply of fresh air must be guaranteed.
- The heat request must be available.
- Sufficient gas pressure must be available.
- The fuel supply lines must be assembled correctly, checked for leaks and bled.
- A standard-compliant measuring point must be available, the exhaust gas duct up to the measuring point must be free of leaks to prevent anomalies in the measurement results.

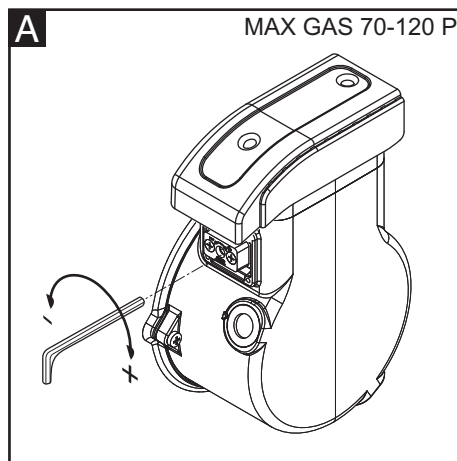
## Start up - Adjusting burner output



### Air damper setting (A).

To act on the screw in figure:

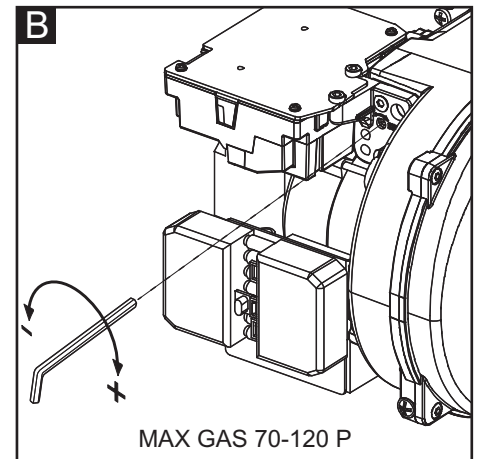
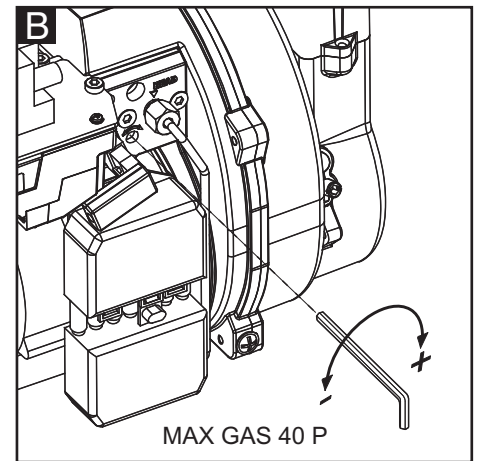
- to increase output, turn screwdriver clockwise
- to reduce output, turn screwdriver counterclockwise



### Firing head setting (B).

To act on the screw in figure:

- turn Allen key till you reach the requested value (index 0-4,5).



### Adjustment of gas solenoid valve

Refer to the gas train manual for the gas setting of the gas train selected.



#### Risk of air blast!

Continuously check CO, CO<sub>2</sub> and soot emissions when adjusting the output of the burner. Optimise combustion values in the event of CO formation. CO must not exceed 50 ppm.

### Pre-setting diagrams in appendix

Before start-up adjust the burner parameters according to the settings given in the diagrams for GAS/LPG.

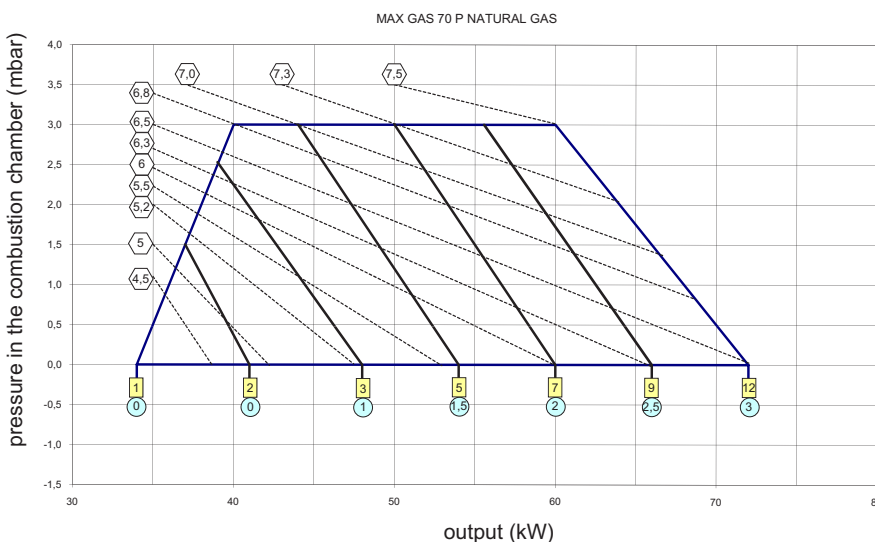
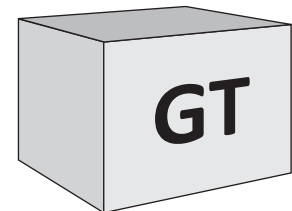
These values have been determined in our test labs and are useful for the first switch-on as final setting must be done using a combustion analyzer.

### How to read and adjust the values:

- determine the output required
- determine the combustion chamber back-pressure
- read the position of the head in the diagram and adjust it according
- read the position of the air flap and adjust it according

### Optimising combustion values

The factory setting shall be modified according to the output required. The diagrams of air/head setting that are available in the appendix of this manual are a guide for ensuring that the burner functions as well as possible.



**Note:** observe the minimum required flue gas temperature specified by the boiler manufacturer and the requirements demanded of flue gas ducts for avoiding condensation.

- head gas pressure (on elbow) (mbar)
- head position
- air damper position

## Start up - Air pressure switch adjustment - Setting gas pressostat

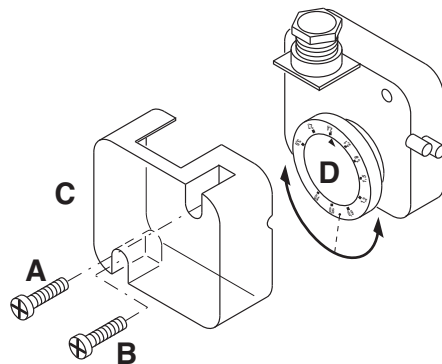
### Air pressure switch calibration

The air pressure switch is provided for monitoring the pressure of the combustion air fan.

Unscrew screws A and B and remove cover C.

After the air and gas setting you have to calibrate the air switch with the burner working on the low flame by slowly turning the relative knob clockwise until the burner locks out. Read the value and then decrease it by 15%. Screw up cover C.

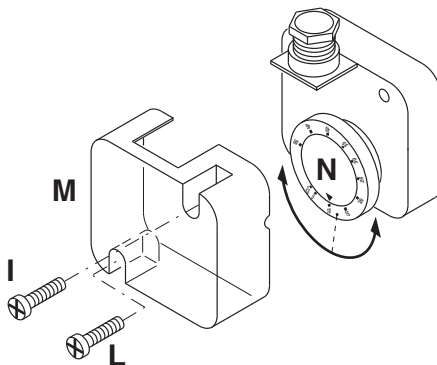
**WARNING:** the air pressure switch shall prevent the air pressure to go below 85% from the adjustment value in order to prevent the CO in the fumes to exceed 1% (10000 ppm).



### Min gas pressure switch

The gas pressure switch has the function to check that the gas pressure before the gas valve does have the minimum pressure to make the burner running correctly.

Unscrew off and remove cover M. - Set knob N to a value equal to 60% of gas nominal feed pressure (i.e. for natural gas nom. pressure = 20 mbar, set knob to a value of 12 mbar; for LPG nom. pressure of G30/G31- 30/37 mbar, set knob to a value of 18 mbar). Screw up cover M.



### Operating check

Flame monitoring must be checked for safety as part of initial commissioning and also after servicing or if the system has been out of operation for any significant period of time.

- Start attempt with gas ball valve closed: the automatic combustion control unit must switch to gas shortage or malfunction after the end of the safety period.

## Service - Maintenance

**Burner and boiler servicing must only be carried out by qualified personnel. The system operator is advised to take out a service contract to guarantee regular servicing.**

### Attention

- Disconnect the electrical supply before carrying out any maintenance or cleaning work.
- The blast tube and firing head may be hot.

### Checking the exhaust gas temperature

- Check the flue gas temperature at regular intervals.
- Clean the boiler if the flue gas temperature is more than 30°C above the value measured at the time of commissioning.
- To simplify the check, use a flue gas temperature indicator.

### Burner maintenance positions

• After removing the screws 5 turn the burner and pull it out of the flange. It is possible to fix the burner in three positions for maintenance.

#### Position 1

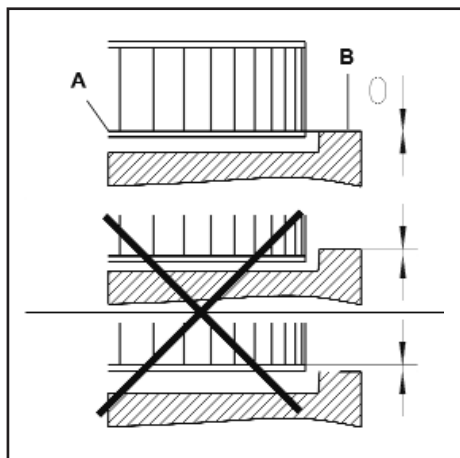
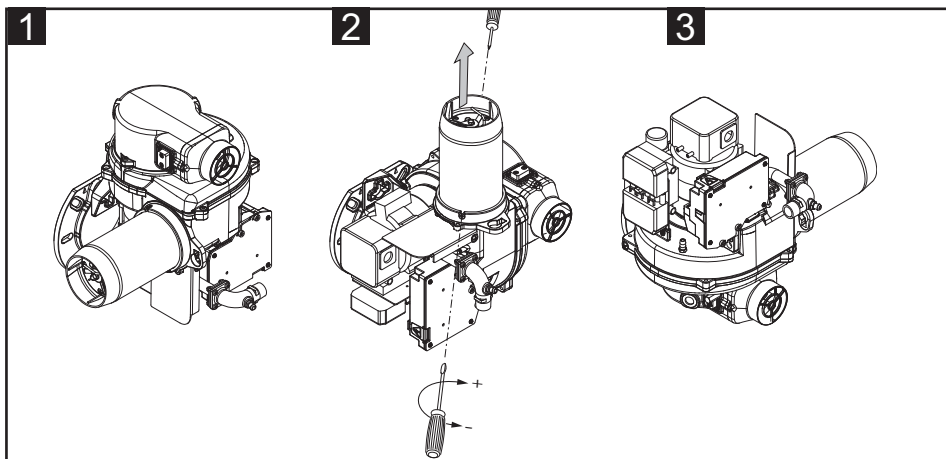
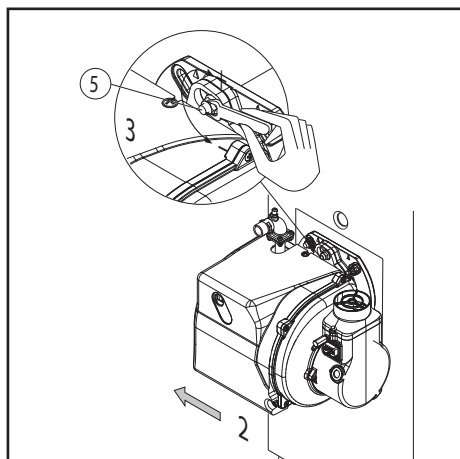
Maintenance line air (cleaning/substitution fan)

#### Position 2

Burner head maintenance.

#### Position 3

Maintenance components.



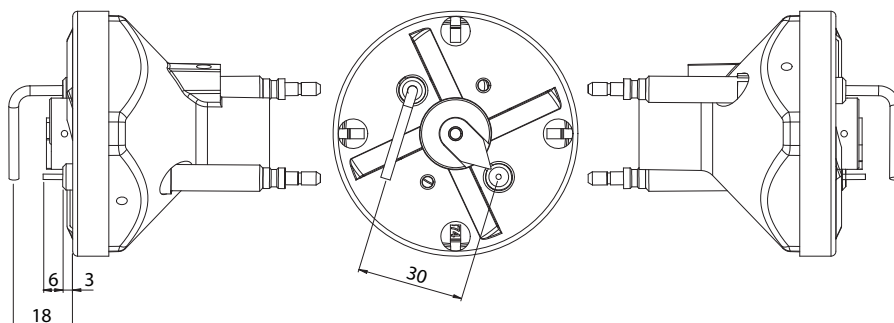
### Fan assembly

Observe the positioning diagram above when replacing the motor and blower wheel. The inside flange **A** of the blower wheel must be fitted at the same level as the equipment plate **B**. Insert a straight edge between the wing of the blower wheel and set **A** and **B** to the same height, tighten the set screw on the blower wheel (maintenance position 1).



### Maintenance on the burner

- Check gas supply components (tubes, lines) and their connections for leaks or signs of wear, replace if necessary.
- Check electrical connections and connection cables for damage, replace if necessary.
- Check gas filter, clean or replace as necessary.
- Clean fan wheel and housing and check for damage.
- Check and clean the mixing unit.
- Check ignition electrodes block, readjust or replace as necessary.
- Start burner, check flue gas data, correct burner settings if necessary.
- Check the setting for air pressure switch and gas pressostat.
- Check the gas train settings.
- Carry out an operating check.



## Service - Troubleshooting

### Fault diagnosis and repair

In the event of a malfunction, first check that the prerequisites for correct operation are fulfilled:

1. Is the system connected to the power supply?
2. Is there any gas pressure?
3. Is the gas shut-off valve open?
4. Are all control and safety devices, such as the boiler thermostat, low water level detector, limit switch, etc. adjusted correctly?

If the malfunction persists, use the following table.

It is not permitted to repair any components relevant to safety. These

components must be replaced by parts with the same order number.

### Only use original spare parts.

#### NB: after each operation:

- under normal operating conditions (doors closed, hood fitted, etc.), check combustion and check the individual lines for leaks.
- Record the results in the relevant documents.

**E-BCU diagnostic tool must be used to read the faults by service personell.**



Fault	Symbol fault	Cause	Remedy
	No heat request	Thermostats defective or incorrectly adjusted	Adjust the thermostats, replace if necessary.
	Burner does not start after thermostat shutdown No malfunction indicated on the automatic combustion control unit	Drop in supply voltage or power failure. Control unit malfunction	Check the cause of the fall in voltage or the power failure Replace the control unit.
	Burner starts briefly when switched on, switches off and the red LED lights up	Control unit was deliberately shut down	Unlock the unit
	Burner does not start	Air pressure switch: not in rest position Incorrect adjustment Contact is welded	Readjust the pressure switch Replace the pressure switch
	Burner does not start Low gas pressure	Insufficient gas pressure Gas pressostat wrongly set or defective	Check gas lines Clean the filter Check the gas pressostat or replace the compact gas unit
	Burner blower starts up Burner does not start	Air pressure switch: the contact does not close	Check the pressure transmitter (foreign bodies) and wiring
	Burner blower starts up Burner does not start	Flaring during pre-ventilation or pre-ignition	Check the valve Check flame monitoring
	The burner starts, the ignition switches on, then failure	No flame at the end of the safety period  Gas throughput set incorrectly Faulty flame monitoring circuit  No ignition arc Electrode(s) short-circuited Ignition cable damaged or defective  Ignition transformer defective Automatic combustion control unit  Solenoid valves do not open  Valves jamming	Adjust the gas throughput Check the condition and position of the ionisation sensor in relation to earth Check the condition and connections of the ionisation circuit (cable(s) and measurement bridges)  Adjust, clean or replace electrode(s) Connect or replace the cable(s)  Replace the transformer Replace the control unit Check the cabling between the control unit and external components  Replace the compact gas unit  Replace the valves
	Flame extinguishing during operation	Air pressure switch: contact opens during startup or during operation  Flame failure during operation	Adjust or replace the pressure switch  Check the ionisation sensor circuit Check or replace the automatic combustion control unit

## Contenuti generali - Indice - Avvertenze generali - Dichiarazione di conformità

<b>Panoramica</b>	Dati tecnici	3
	Curve di lavoro	4
	Dimensioni d'ingombro	5
<b>Contenuti generali</b>	Indice	16
	Avvertenze generali	16
	Dichiarazione di conformità	16
	Descrizione del bruciatore	17
<b>Funzione</b>	Funzioni generali di sicurezza	18
	Programmatore di comando e sicurezza E-BCU GAS	19
<b>Installazione</b>	Montaggio del bruciatore	20
	Connessione elettrica	21
	Controlli da eseguire prima della messa in funzione	21
<b>Messa in funzione</b>	Regolazione del bruciatore	22
	Regolazione dei pressostati aria e gas	23
<b>Assistenza</b>	Manutenzione	24
	Possibili inconvenienti	25
<b>Panoramica</b>	Diagramma di pre-taratura	56-58
	Schemi elettrici	59
	Parti di ricambio	60-63

### Avvertenze importanti

I bruciatori MAX GAS 40-120 P sono progettati per la combustione di gas naturale e di gas propano, con basse emissioni inquinanti. I bruciatori sono conformi alla norma EN 676, dal punto di vista della progettazione e del funzionamento. Montaggio, messa in funzione e manutenzione devono essere eseguiti esclusivamente da personale tecnico autorizzato, nel rispetto delle direttive e delle prescrizioni in vigore.

### Descrizione del bruciatore

I bruciatori MAX GAS 40-120 P sono monostadio, a funzionamento completamente automatico in esecuzione monoblocco. La costruzione speciale della testa di combustione permette di ottenere una combustione con un debole tasso di ossidi di azoto e un coefficiente di rendimento elevato. I valori delle emissioni corrispondono alla classe 3, come definita da EN676 ( $\text{NO}_x < 80 \text{ mg/kWh}$ ). A seconda della geometria del focolare, della carica e del sistema di combustione (caldaia a tre percorsi, caldaia a combustione inversa), si possono riscontrare valori di emissione diversi. Sono adatti per l'allestimento di tutti i generatori di calore conformi alla norma EN 303 o degli aerotermini secondo DIN

4794 o DIN 30697 nell'ambito del rispettivo range di potenza. Per ogni altro utilizzo è necessaria l'autorizzazione della Ecoflam. Al fine di garantire un funzionamento sicuro, non inquinante ed a basso consumo energetico, è necessario rispettare le seguenti norme:

#### EN 676

Bruciatore di gas ad aria soffiata

#### EN 226

Allacciamento di bruciatori di gasolio a nebulizzazione e bruciatori di gas ad aria soffiata su generatori di calore

#### EN 60335-1, -2-102

Sicurezza degli apparecchi elettrici per uso domestico, norme particolari per gli apparecchi con combustione a gas.

#### Luogo di installazione

Il bruciatore non dev'essere messo in funzione in locali in cui siano presenti vapori aggressivi (ad es. lacca per capelli, percloroetilene, tetracloruro di carbonio), notevole accumulo di polvere o forte umidità dell'aria (ad es. lavanderie). Una adeguata ventilazione deve essere fornita nel locale dell'installazione in modo da garantire le condizioni per una buona

### Dichiarazione di conformità per bruciatori a gas

Noi,

### Ecoflam Bruciatori S.p.A.

dichiariamo sotto la nostra responsabilità, che i bruciatori a gas

### MAX GAS

sono conformi alle norme elencate :  
 EN 676: 2008  
 EN 60335-1: 2008  
 EN 60335-2-30: 2006  
 EN 60335-2-102: 2007  
 EN 55014-1: 2008 + A1: 2009  
 EN 55014-2: 1998 + A1: 2001 + A2: 2008

Questi prodotti vengono contrassegnati con il marchio CE nel rispetto delle direttive:

2009/142/EEC Gas Appliance Directive  
 2006/95/EEC Low Voltage Directive  
 2004/108/EEC EMC Directive  
 2006/42/EC Machinery directive

Resana, 28 Giugno 2011  
 M. PANIZZON

combustione.

Si possono riscontrare scostamenti dovuti ad eventuali normative locali.

### Si esclude qualsivoglia responsabilità per eventuali danni derivanti dalle seguenti cause:

- utilizzo non conforme.
- montaggio difettoso e/o riparazione a cura dell'acquirente o terzi, ivi inclusa l'applicazione di elementi di origine estranea.

### Consegna e istruzioni per l'uso

Il costruttore dell'impianto di combustione è tenuto a consegnare al gestore dell'impianto, al più tardi all'atto della consegna dello stesso, le istruzioni per l'uso e la manutenzione. Queste istruzioni devono essere appese nel locale di installazione del generatore termico in modo ben visibile. Devono essere indicati l'indirizzo ed il numero telefonico del punto di assistenza più vicino.

### Avvertenza per il gestore

L'impianto dev'essere controllato almeno una volta l'anno da un tecnico specializzato. Al fine di garantire un'esecuzione regolare, si suggerisce di stipulare un contratto per la manutenzione dell'impianto.

I bruciatori Ecoflam sono stati progettati e costruiti nel rispetto delle normative e direttive correnti. Tutti i bruciatori rispondono alle normative sulla sicurezza e sul risparmio energetico nel limite del campo di lavoro dichiarato.

La qualità del prodotto è garantita dal sistema di certificazione in base alla norma ISO 9001:2008.

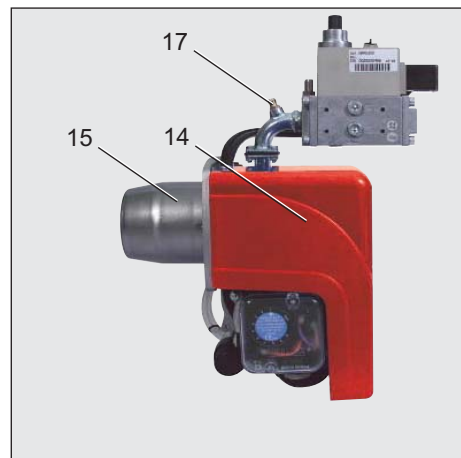




# Contenuti generali - Descrizione del bruciatore

## MAX GAS 40 LN P TC - SGT 230-50-60 TW

<b>NOME</b>	
MAX GAS	Gas
<b>MODELLO (Gas: kW; Gasolio: kg/h)</b>	
MAX 40	40 kW
<b>EMISSIONI</b>	
LN	Low NOx Classe 3 GAS EN676 (<80 mg/kWh)
-	Standard Classe 2-GAS EN676 (<120 mg/kWh)
<b>TIPO DI FUNZIONAMENTO</b>	
P	1 stadio
<b>TIPO TESTA</b>	
TC	Testa corta
TL	Testa lunga
<b>COMBUSTIBILE</b>	
	Gas Naturale
LPG	Gas Propano
<b>EQUIPAGGIAMENTO</b>	
SGT	Rampa gas separata
<b>TENSIONE DI ALIMENTAZIONE</b>	
230-50-60	230 Volt, 50-60 Hz
<b>APPARECCHIATURA DI CONTROLLO</b>	
TW	Thermowatt



- A1 E\_BCU GAS programmatore di comando e sicurezza gas
- F6 Pressostato aria
- M1 Motore elettrico
- T1 Trasformatore d'accensione
- Y Asta graduata per regolazione testa
- 3 Regolazione dell'aria nella testa di combustione
- 5 Fusione
- 8 Boccaglio
- 10 Presa Wieland
- 14 Cofano bruciatore
- 15 Flangia bruciatore
- 16 Pulsante Reset
- 17 Punto di misurazione della pressione del gas
- 103B Regolazione dell'aria
- 113 Cuffia aria

### Imballaggio

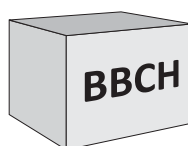
Il bruciatore è consegnato con un sistema modulare di imballo (scatole separate):

**BBCH:** Bruciatore completo con testa di combustione e flangia.

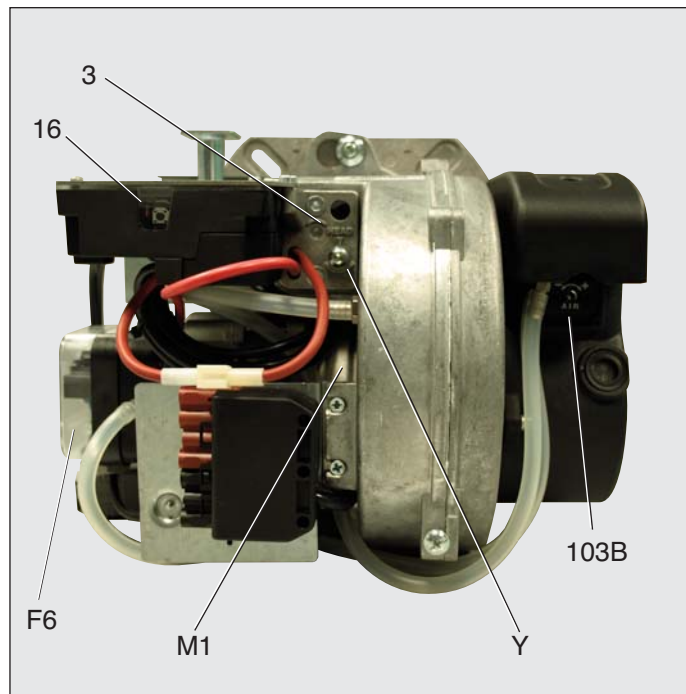
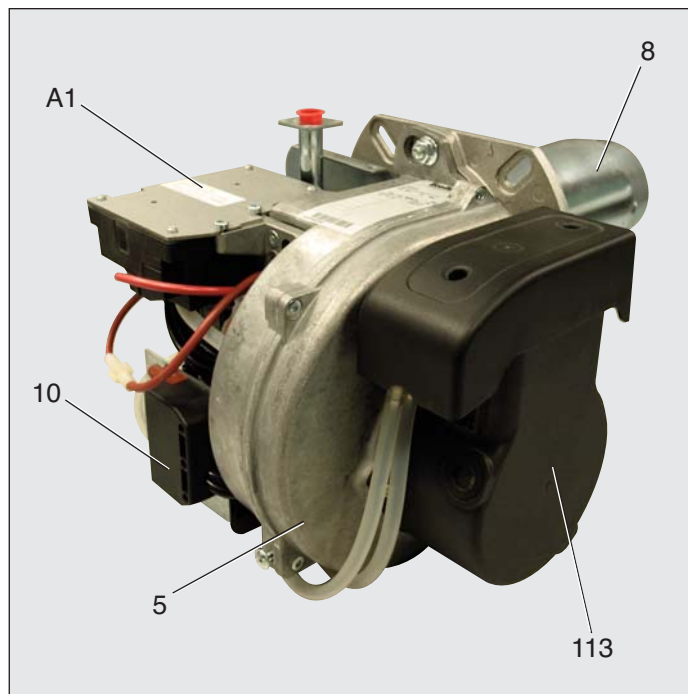
- 1 sacchetto : - manuale tecnico in multilingue.
- spina wieland.
- chiave esagonale.
- viti, dadi e rosette.

**GT:** Rampa Gas separata

**KIT & ACS** ordinabili e consegnati separatamente



**KIT & ACS ordinabili e consegnati separatamente**



## Funzione - Funzioni generali di sicurezza

### Descrizione del funzionamento

Alla prima messa sotto tensione, dopo un'interruzione di corrente e una fase di messa in sicurezza, dopo un'interruzione di gas o dopo un arresto di 24 ore, comincia un tempo di preventilazione di 24 sec.

### Durante il tempo di preventilazione:

- la pressione dell'aria viene monitorata.
- controllo della presenza di eventuali segnali di fiamma anomali.

### Al termine del tempo di preventilazione

- l'accensione è inserita.
- l'elettrovalvola principale e di sicurezza è aperta.
- il bruciatore si avvia.

### Sorveglianza

La fiamma viene monitorata da una sonda di ionizzazione. La sonda è montata in modo isolato sulla testa del gas ed è diretta attraverso il disco fiamma nella zona della fiamma. La sonda non deve avere alcun contatto elettrico con componenti messi a terra. Se compare un

cortocircuito tra la sonda e la massa del bruciatore, il bruciatore entra in stato di anomalia. Durante il funzionamento, nella fiamma del gas si crea una zona ionizzata, attraverso la quale circola una corrente raddrizzata dalla sonda verso il boccaglio. La corrente di ionizzazione deve essere superiore a 1,5  $\mu$ A.

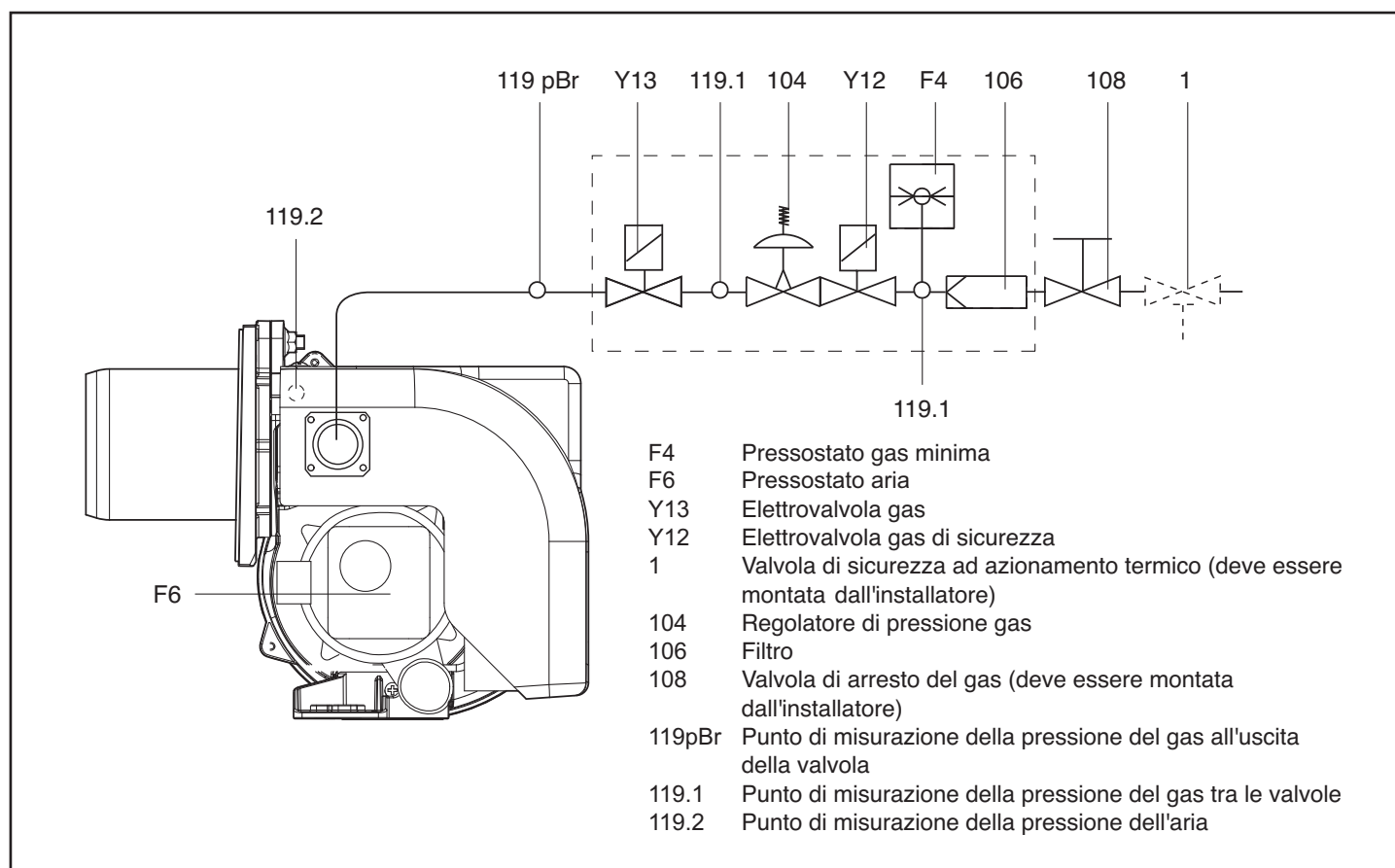
### Funzioni di sicurezza

- Se all'avvio del bruciatore (rilascio del gas) non si forma la fiamma, il bruciatore viene arrestato al termine di un intervallo di sicurezza di max. 3 secondi, la valvola del gas si chiude.
- In caso di anomalia della fiamma durante il funzionamento, l'alimentazione del gas si interrompe nella frazione di un secondo. Viene avviata una nuova messa in funzione. Se il bruciatore si avvia, il ciclo di funzionamento prosegue. In caso contrario si instaura una fase di messa in sicurezza.
- In caso di mancanza d'aria durante la preventilazione o il funzionamento, si instaura una fase di messa in sicurezza.

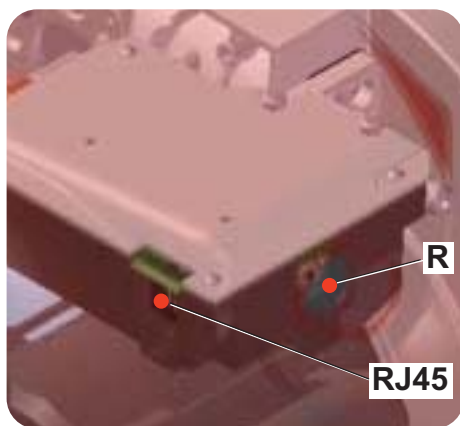
- In caso di mancanza di gas, il bruciatore non si mette in funzione e/o si arresta. Segue un tempo di attesa di 2 minuti al termine del quale avviene un nuovo tentativo di avvio. Se la mancanza di pressione del gas perdura, si avvia un nuovo tempo di attesa di 2 minuti. In questo caso, il tempo di attesa può essere interrotto esclusivamente dallo spegnimento del bruciatore. Tempo di attesa: 3 x 2 min., poi 1 ora.

### Arresto di regolazione

- Il termostato di regolazione interrompe la richiesta di riscaldamento.
- Le valvole gas si chiudono.
- La fiamma si spegne.
- Il motore del ventilatore si ferma
- Il bruciatore è pronto per il successivo funzionamento.



## Funzione - Programmatore di comando e sicurezza E-BCU GAS



Il programmatore di comando e sicurezza gas E-BCU GAS comanda e sorveglia il bruciatore ad aria soffiata. Grazie al programma gestito dal microprocessore, si ottengono tempi estremamente stabili, indipendentemente dalle oscillazioni della tensione di rete o della temperatura ambiente. Il programmatore di comando e sicurezza è progettato per essere sicuro in caso di sottotensione. Se la tensione di rete scende al di sotto del valore minimo richiesto (170 V), il programmatore di comando si disattiva senza alcun segnale d'errore. Non appena la tensione supera i

178 V, il programmatore si riavvia automaticamente.

### Blocco e sblocco

Il programmatore di comando può essere bloccato (portato in condizione di anomalia) e sbloccato (rimozione anomalia) mediante il pulsante R a condizione che nel programmatore di comando sia presente tensione di rete.

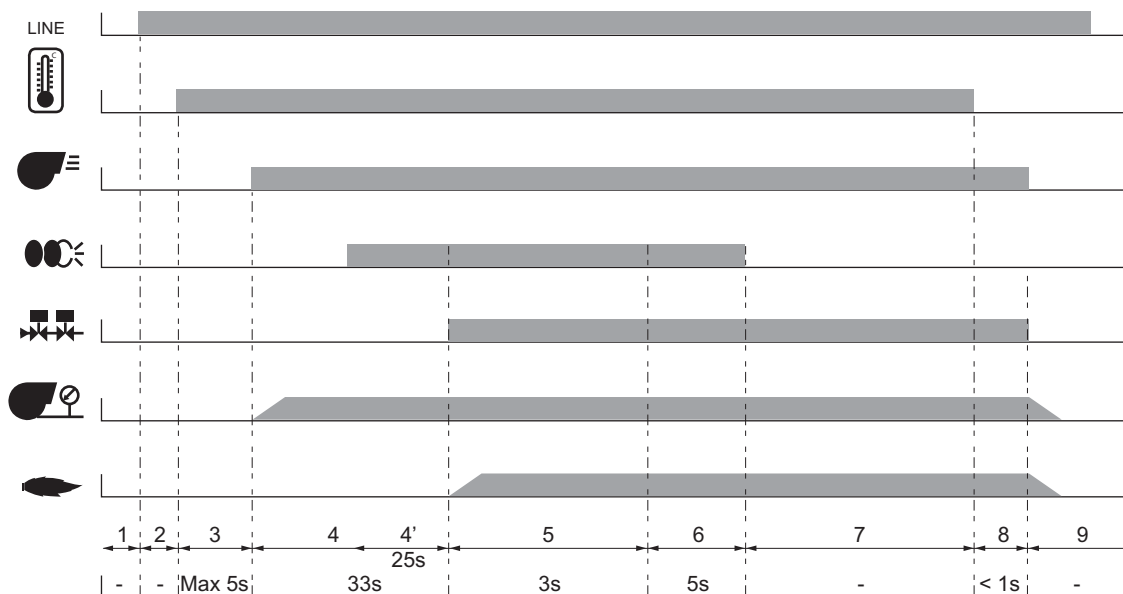
- R** - Pulsante di reset + led segnalazione blocco.
- RJ45** - Connettore per collegamento PC(diagnostica, fornita separatamente).



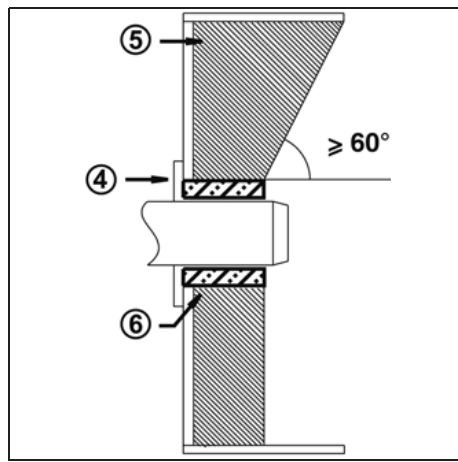
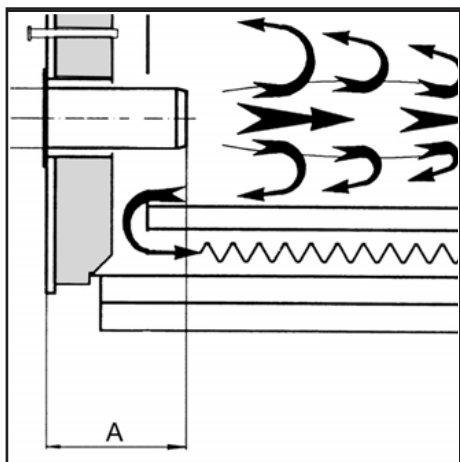
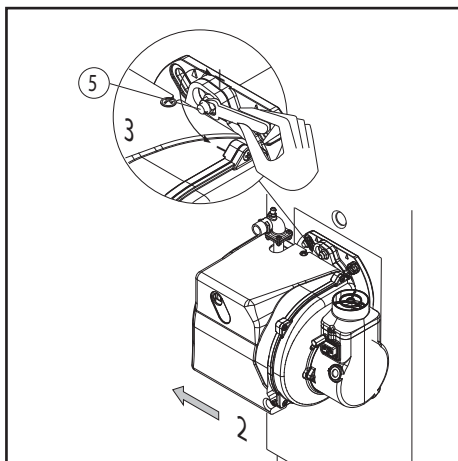
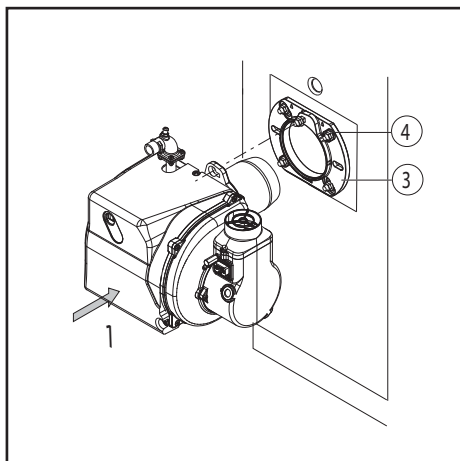
KIT E-BCU  
tool diagnostico  
(non incluso)

**!** Prima del montaggio o dello smontaggio del programmatore di comando l'apparecchio dev'essere a tensione nulla.  
Il programmatore di comando non dev'essere aperto nè riparato.

Simbolo	Descrizione
	Aspetta una richiesta di calore
	Valvole gas
	Aspetta il pressostato aria all'avvio del bruciatore
	Motore acceso
	Trasformatore di accensione acceso
	Fiamma presente



## Installazione - Montaggio del bruciatore

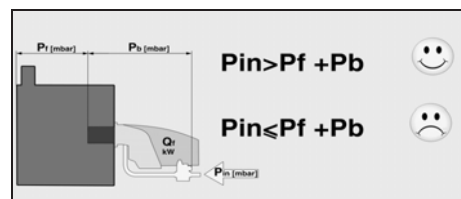
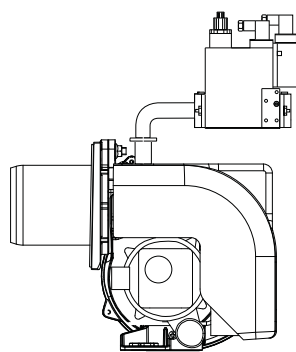


### Linea alimentazione gas

Nell'installazione della linea di alimentazione e della rampa gas bisogna osservare le prescrizioni della EN676. Si deve installare il Kit obbligatorio EN676. Ulteriori accessori dovranno essere montati dall'installatore per soddisfare eventuali normative locali.

### Prescrizioni di ordine generale per l'allacciamento del gas

- Il collegamento della rampa gas alla rete del gas deve essere effettuato esclusivamente da un tecnico esperto autorizzato.
- La sezione della tubazione del gas deve essere preparata in modo tale che la pressione di alimentazione del gas non possa scendere al di sotto del valore prescritto.
- Una valvola manuale di arresto (non fornita) deve essere montata a monte della rampa gas.



### LEGENDA

Pf: Contropressione al focolare  
Pb: Pressione gas bruciatore (testa di combustione + rampa gas)  
Pin: Pressione minima di alimentazione

### Montaggio del bruciatore

Il bruciatore viene fissato alla flangia di attacco e di conseguenza alla caldaia, in tal modo la camera di combustione viene chiusa a tenuta stagna.

### Montaggio:

- Fissare la flangia di attacco 3 alla caldaia con le viti 4.
- Ruotare leggermente il bruciatore, introdurlo nella angia e fissarlo con la vite 5.

### Smontaggio:

- Allentare la vite 5.
- Ruotare il bruciatore ed estrarlo dalla flangia.

### Profondità di montaggio del bocchaglio del bruciatore e rivestimento refrattario

Per i generatori senza parete anteriore raffreddata e in assenza di indicazioni contrarie da parte del costruttore della caldaia, è necessario eseguire un rivestimento in mattoni o l'isolamento secondo la figura (5) a lato.

Il rivestimento in mattoni non deve sporgere oltre il bordo anteriore del bocchaglio e deve terminare con una conicità massima di 60°. Lo spazio d'aria (6) dev'essere riempito con un materiale isolante elastico, non infiammabile.

### Condotto dei fumi

Al fine di evitare rumorosità indesiderate si raccomanda di evitare l'utilizzo di raccordi ad angolo retto al momento del collegamento della caldaia al camino.

### TRASFORMAZIONE A GPL

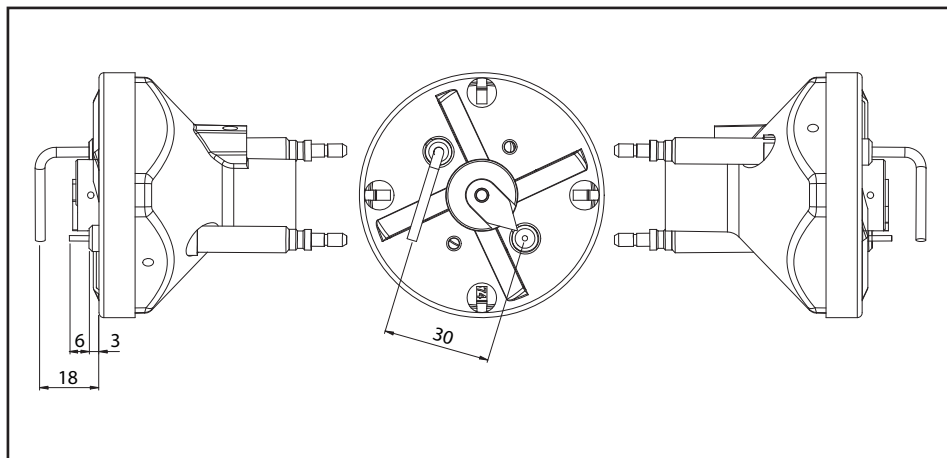
KITLPG-MAXGAS...

Per operare con GPL è necessario acquistare il Kit GPL e montarlo osservando le istruzioni allegate.



## Installazione - Connessione elettrica

### - Controlli da eseguire prima della messa in funzione



#### Posizione elettrodi

Verificare sempre la posizione degli elettrodi dopo la loro sostituzione o il montaggio del KIT LPG. Una posizione errata può comportare problemi di accensione o rivelazione.

#### Allacciamento elettrico

L'impianto elettrico e i lavori di allacciamento devono essere eseguiti esclusivamente da personale specializzato autorizzato.

A tal proposito devono essere rispettate le normative e le direttive vigenti.

L'impianto d'alimentazione dovrà essere dotato di un interruttore differenziale di tipo A.

**Rispettare obbligatoriamente le prescrizioni e le direttive in vigore, oltre allo schema elettrico fornito con il bruciatore!**

- Verificare che la tensione di rete corrisponda alla tensione d'esercizio indicata nello schema elettrico e targa dati. Fusibile sulla caldaia: 5 A

#### Allacciamento elettrico (plug-in)

Il bruciatore deve poter essere scollegato dalla rete mediante uno dei corrispondenti dispositivi di interruzione onnipolari conformi alle norme vigenti. Bruciatori e generatori termici (caldaie) vengono collegati tra di loro mediante una connessione a spina Wieland a sette poli (fig. 1).

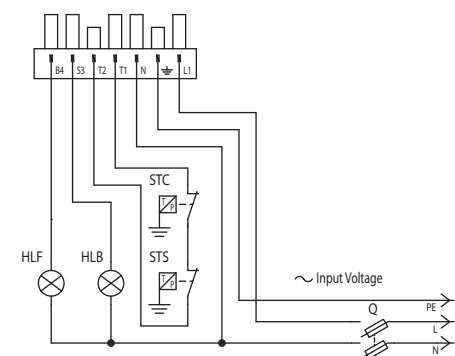
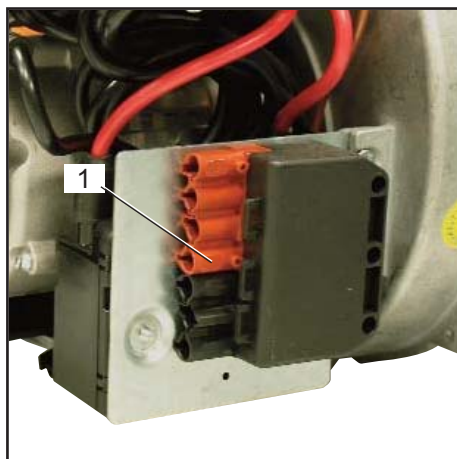
#### Collegamento della rampa gas

Eeguire il collegamento della rampa gas con le prese situate sul bruciatore.

#### Misurazione della corrente di ionizzazione

Per la misurazione della corrente di ionizzazione, scollegare il connettore B10 e collegare un multimetro dotato di una gamma di misurazione da 0-100  $\mu$ A.

La corrente di ionizzazione deve essere superiore a 1,5  $\mu$ A. È possibile controllare l'intensità della corrente di ionizzazione anche con il tool diagnostico E-BCU.

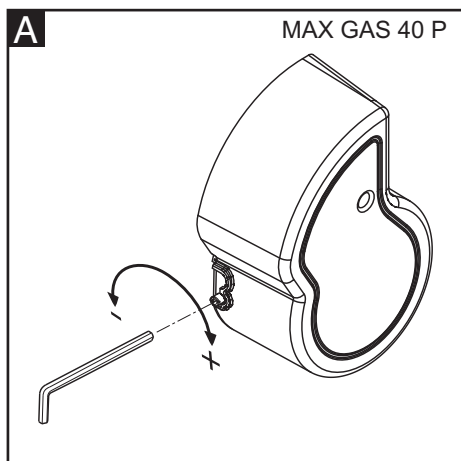


#### Controlli da eseguire prima della messa in funzione

Prima della messa in funzione devono essere controllati i seguenti punti.

- Montaggio del bruciatore secondo le presenti istruzioni.
- Preimpostazione del bruciatore secondo le indicazioni riportate nella tabella di regolazione.
- Controllo degli organi di combustione
- Il generatore termico dev'essere pronto per l'uso, le prescrizioni di montaggio del generatore termico devono essere rispettate.
- Tutti gli allacciamenti elettrici devono essere eseguiti correttamente.
- Il generatore termico ed il sistema di riscaldamento sono pieni d'acqua, le pompe di circolazione sono in funzione.
- Termostati, regolatore di pressione, dispositivo di sicurezza in caso di carenza d'acqua ed altri dispositivi limitatori eventualmente installati sono correttamente collegati e funzionanti.
- Le vie di scarico dei fumi devono essere sgombrare, il dispositivo per l'aria secondaria, se presente, dev'essere in funzione.
- Dev'essere garantito un sufficiente apporto di aria pura.
- Dev'essere presente una richiesta di riscaldamento.
- Deve essere disponibile una pressione del gas sufficiente.
- I condotti per il combustibile devono essere installati a regola d'arte, devono essere sottoposti ad un controllo per garantirne l'ermeticità ed essere disaerati.
- Il punto di misurazione previsto dalla norma per il controllo dei fumi di scarico dev'essere presente, il percorso dei fumi sino al punto di misurazione dev'essere a tenuta stagna in modo che i risultati delle misurazioni non possano essere falsati.

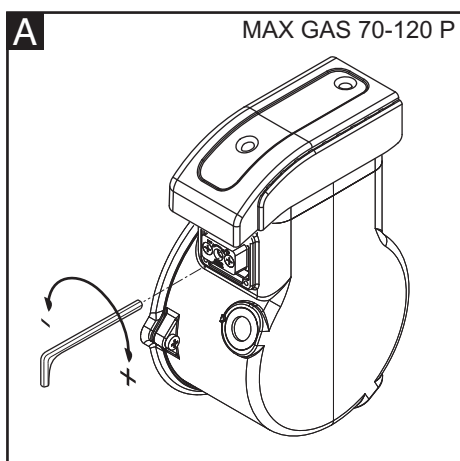
## Messa in funzione - Regolazione del bruciatore



### Regolazione dell'aria (A).

Agire sulla vite in figura:

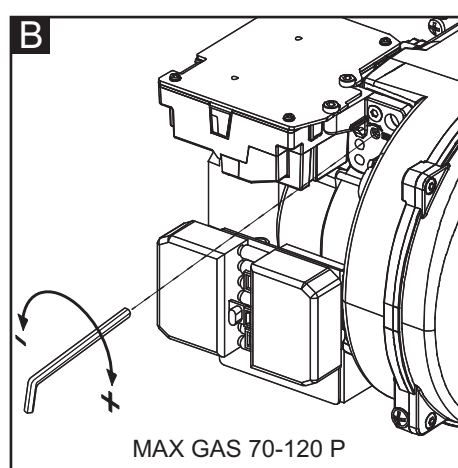
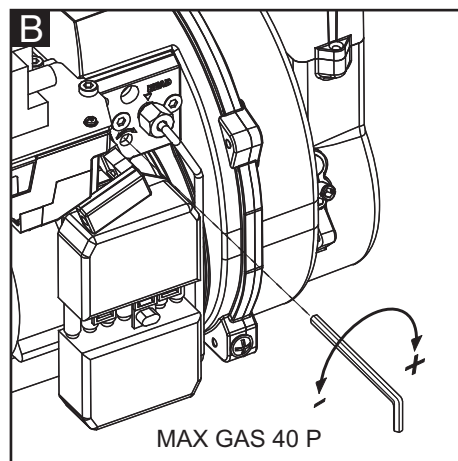
- ruotando in senso orario, la portata aumenta.
- ruotando in senso antiorario, la portata diminuisce.



### Regolazione della testa di combustione (B).

Agire sulla vite in figura:

- ruotare con una chiave esagonale fino a raggiungere il valore desiderato (indice da 0 a 4,5).



### Pericolo di deflagrazione:

durante le operazioni di regolazione, verificare costantemente le emissioni di CO, CO<sub>2</sub> e l'indice di fumosità. In presenza di formazioni di CO modificare i valori della combustione. Il valore massimo di CO non deve superare i 50ppm.

### Diagrammi di pre-taratura riportati in appendice.

Prima di accendere il bruciatore regolatelo secondo i valori di pre-taratura validi per gas naturale e GPL. Questi valori sono stati ricavati nel nostro laboratorio prove e sono utili per la messa in funzione del bruciatore, la regolazione deve poi essere verificata utilizzando un analizzatore di combustione.

### Come leggere i diagrammi e regolare il bruciatore:

- determinate la potenza richiesta.
- determinate la contropressione in camera.
- ricavate la posizione della testa nel

diagramma e regolatela come da fig.B.  
-ricavate la posizione della serranda aria nel diagramma e regolatela come da fig.A.

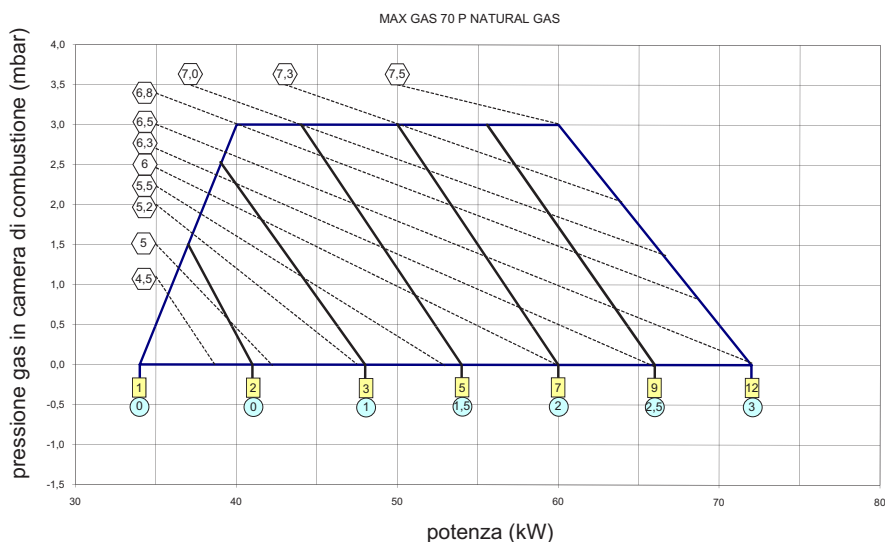
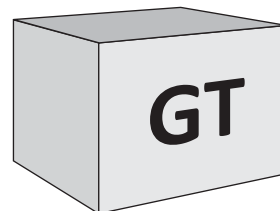
### Ottimizzazione dei valori di combustione

La taratura di fabbrica dovrà essere modificata a seconda della potenza richiesta.

I diagrammi della taratura della serranda/testa di combustione, si trovano in appendice.

### Regolazione della valvola gas

Regolate le valvole gas in base alle istruzioni del manuale della rampa gas.



**Attenzione: in caso di installazione su caldaia, rispettare la temperatura minima dei fumi di scarico secondo le indicazioni del costruttore della caldaia e secondo i requisiti del sistema di scarico fumi, al fine di evitare la formazione di condensa.**

⬡ pressione gas in testa misurata sulla curva (mbar)

⬜ posizione testa

⬤ posizione serranda aria

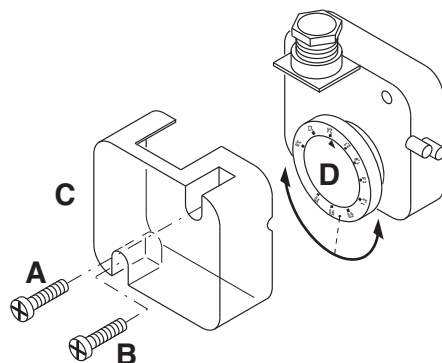
## Messa in funzione - Regolazione dei pressostati aria e gas

### Regolazione del pressostato aria

Il pressostato aria controlla la pressione dell'aria di ventilazione.

Svitare le viti A e B e rimuovere il coperchio C.

Dopo aver tarato l'aria e il gas, con il bruciatore in funzione ruotate lentamente in senso orario la ghiera D fino all'arresto di blocco del bruciatore. Leggete il valore indicato sulla ghiera e riducetelo del 15%. Rimontare il coperchio C e riavvitare le viti A e B.

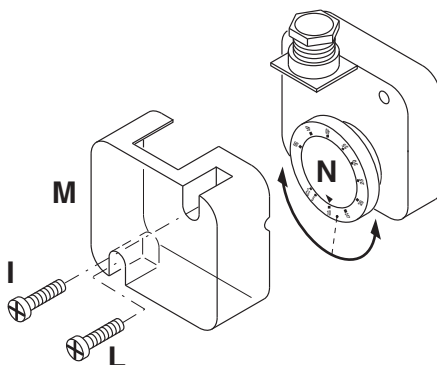


**ATTENZIONE:** Il pressostato eviterà che la pressione dell'aria non scenda sotto 85% del valore impostato, evitando così che il CO nei fumi superi 1%(10000 ppm).

### Regolazione del pressostato gas di minima

Il pressostato gas di minima ha la funzione di controllare la pressione minima del gas prima della valvola gas permettendo al bruciatore di funzionare correttamente.

Svitare le viti I e L e togliere il coperchio M. posizionare il regolatore N ad un valore pari al 60% della pressione nominale di alimentazione gas (es.: per gas metano press. nominale =20 mbar; regolatore posizionato al valore 12 mbar; per G.P.L. pressione nominale G30-G31 30/37 mbar regolatore posizionato al valore di 18 mbar). Rimontare il coperchio M e riavvitare le viti I e L.



### Controllo funzionamento

Un controllo di sicurezza del monitoraggio fiamma dev'essere eseguito sia in occasione della prima messa in funzione, sia dopo aver eseguito revisioni o dopo un lungo periodo di inattività dell'impianto.

- Test di messa in moto con il rubinetto del gas chiuso:

l'apparecchiatura di controllo dovrà segnalare il non funzionamento per mancanza gas o andare in blocco al termine del tempo di sicurezza.

## Assistenza - Manutenzione

Gli interventi di assistenza sulla caldaia e sul bruciatore devono essere eseguiti esclusivamente da personale tecnico addestrato nel campo del riscaldamento. Al fine di garantire una regolare esecuzione degli interventi di assistenza, si consiglia al gestore dell'impianto di stipulare un contratto di assistenza.

### Attenzione

- Prima degli interventi di manutenzione e pulizia, disinserire la corrente.
- Il boccaglio ed i componenti della testa possono essere caldi.

### Controllo della temperatura dei fumi di scarico

- Controllare regolarmente la temperatura dei fumi di scarico.
- Pulire la caldaia se la temperatura dei fumi di scarico supera il valore della messa in funzione di oltre 30°C.
- Al fine di semplificare il controllo, installare un display per la visualizzazione della temperatura dei fumi di scarico.

### Posizioni di manutenzione del bruciatore

- Dopo aver allentato la vite 5 e sganciato il bruciatore, è possibile fissarlo in tre posizioni di manutenzione.

#### Posizione 1

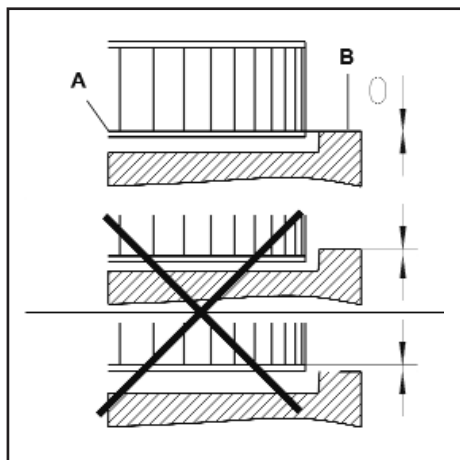
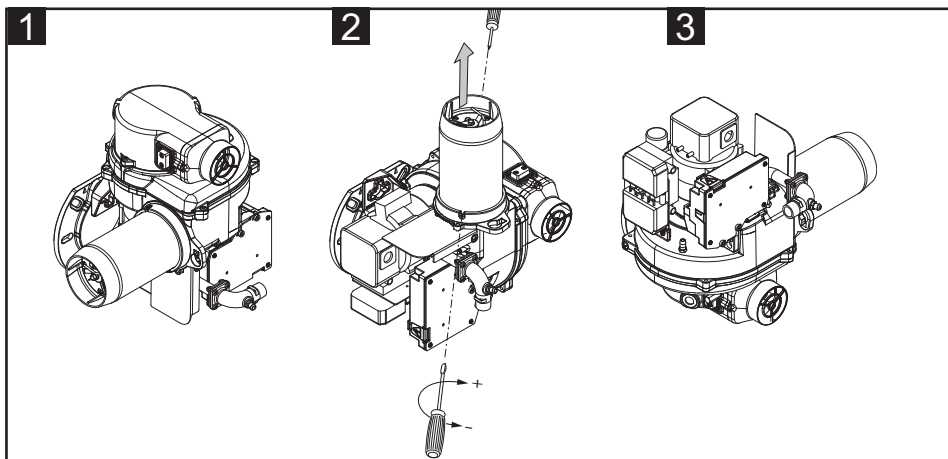
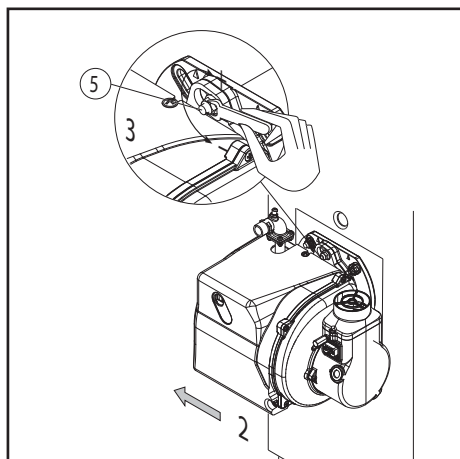
Manutenzione linea aria (pulizia/sostituzione ventola)

#### Posizione 2

Manutenzione testa di combustione.

#### Posizione 3

Manutenzione componenti.



### Interventi di manutenzione sul bruciatore

- Controllare i componenti di alimentazione gas (tubazioni, filtri, ecc.) ed i collegamenti per individuare perdite o segni di usura ed eventualmente sostituirli.
- Controllare la presenza di danni su connessioni elettriche e cavi di raccordo ed eventualmente sostituirli.
- Controllare il filtro gas, pulire e, all'occorrenza, sostituzione se necessario.
- Pulire ventola a carter e controllare che non presentino danni.
- Controllare e pulire i dispositivi di miscelazione.
- Controllare gli elettrodi di accensione ed eventualmente regolarli o sostituirli.
- Avviare il bruciatore, controllare i dati dei fumi di scarico ed eventualmente correggere le regolazioni del bruciatore.
- Controllare le regolazioni dei pressostati aria e gas.
- Controllare la regolazione della rampa gas.
- Effettuare un controllo del funzionamento.

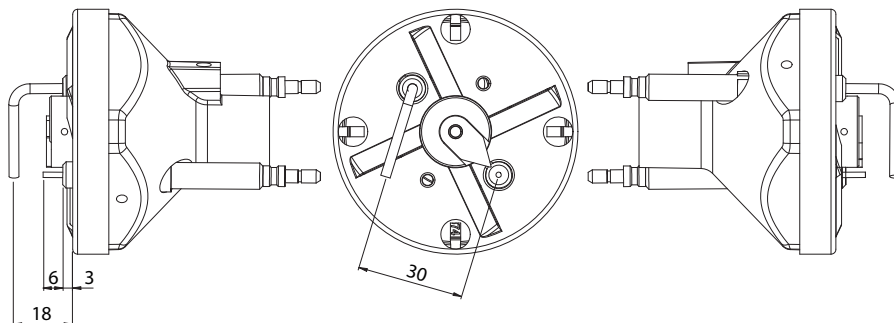
### Montaggio della ventola

In caso di sostituzione della ventola o del motore, fare riferimento allo schema di posizionamento.

Allineare la flangia interna A della ventola con la piastra B.

Inserire un righello tra le pale della ventola e portare A e B alla stessa altezza, serrare la vite senza testa con intaglio sulla ventola (posizione di manutenzione 1).

Inserire un righello tra le pale della ventola e portare A e B alla stessa altezza, serrare la vite senza testa con intaglio sulla ventola (posizione di manutenzione 1).





## Assistenza - Possibili inconvenienti

### Cause ed eliminazione delle anomalie

In presenza di anomalie, devono essere controllati i presupposti fondamentali per il corretto funzionamento dell'impianto:

1. C'è corrente?
2. C'è tutta la pressione del gas?
3. La valvola di intercettazione del gas è aperta?
4. Tutti gli apparecchi di regolazione e sicurezza come il termostato caldaia, il dispositivo di sicurezza in caso di carenza d'acqua, il finecorsa, ecc., sono impostati?

Nel caso in cui, dopo il controllo dei punti suddetti, l'anomalia persistesse, usare le seguente tabella.

I componenti di sicurezza non devono essere riparati, bensì devono essere sostituiti con componenti riportanti lo stesso codice articolo.

**Utilizzare esclusivamente pezzi originali del costruttore.**

### NB: Dopo ogni intervento controllare:

- i valori di combustione in condizioni di esercizio (porta del locale caldaia chiusa, copertura montata, ecc.).
- registrare i valori di combustione nel libretto di centrale.

**E-BCU display: l'interfaccia deve essere usato dal personale che effettua il service per poter leggere le anomalie del bruciatore.**



Simbolo	Anomalia	Causa	Rimedio
	Nessuna richiesta di calore	Termostato mal regolato o difettoso	Regolare o sostituire i termostati
	In seguito allo spegnimento mediante termostato il bruciatore non riparte. Nessuna anomalia visualizzata nel programmatore di comando e sicurezza	Caduta o assenza della tensione d'alimentazione. Anomalia del programmatore di comando	Verificare l'origine della riduzione o dell'interruzione di tensione. Sostituire il programmatore di comando.
	All'accensione il bruciatore si accende brevemente e poi si spegne accensione della spia di blocco	Il programmatore di comando è stato intenzionalmente bloccato	Sbloccare nuovamente il programmatore di comando.
	Il bruciatore non parte	Pressostato aria : posizione di funzionamento, regolazione sbagliata contatto saldato.	Regolare il pressostato Sostituire il pressostato
	Il bruciatore non parte Pressione del gas bassa	Pressione del gas insufficiente Errata regolazione del pressostato gas	Controllare la linea gas Pulire il filtro gas Controllare/ sostituire il pressostato gas o la valvola gas
	Il motore ventilazione parte Il bruciatore non parte	Pressostato aria : il contatto non si chiude	Controllare il trasduttore di pressione (corpi estranei) e i collegamenti
	Il motore ventilazione parte Il bruciatore non parte	Luce parassita durante la preventilazione o la preaccensione	Controllare la valvola Controllare la fiamma
	Il bruciatore parte, l'elettrodo accende, ma si verifica un guasto	<ul style="list-style-type: none"> <li>- Nessuna fiamma dopo il tempo di sicurezza</li> <li>- Portata del gas non regolata correttamente</li> <li>- Circuito rivelazione fiamma difettoso</li> <li>- Nessun arco di accensione</li> <li>- Elettrodo(i) in cortocircuito</li> <li>- Cavo di accensione guasto o difettoso</li> <li>- Trasformatore di accensione difettoso</li> <li>- Apparecchiatura di controllo difettosa</li> <li>- Le valvole gas non aprono</li> <li>- Valvole bloccate</li> </ul>	<ul style="list-style-type: none"> <li>- Regolare la portata gas</li> <li>- Controllare la posizione dell'elettrodo di rivelazione rispetto al collegamento a terra</li> <li>- Controllare lo stato e i collegamenti del circuito di rivelazione (cavo(i) e ponti di misurazione)</li> <li>- Regolare, pulire o sostituire gli elettrodi</li> <li>- Collegare o sostituire i cavi</li> <li>- Sostituire il trasformatore</li> <li>- Sostituire l'apparecchiatura</li> <li>- Controllare il cablaggio tra l'apparecchiatura e i componenti esterni</li> <li>- Sostituire la rampa gas</li> <li>- Sostituire le valvole</li> </ul>
	Spegnimento della fiamma con impianto in funzione	<ul style="list-style-type: none"> <li>- Pressostato aria : il contatto si apre durante la partenza o il funzionamento</li> <li>- La fiamma si spegne quando l'impianto è in funzione</li> </ul>	Regolare o sostituire il pressostato Controllare l'elettrodo di rivelazione Controllare o sostituire l'apparecchiatura

# Contenus généraux - Sommaire - Notices générales - Déclaration de conformité

<b>Vue d'ensemble</b>	Données techniques	3
	Domaine de fonctionnement	4
	Dimensions	5
<b>Contenus généraux</b>	Sommaire	26
	Notices générales	26
	Déclaration de conformité	26
	Description du brûleur	27
<b>Fonction</b>	Fonctions générales de sécurité	28
	Coffret de commande et de sécurité E-BCU GAS	29
<b>Installation</b>	Montage du brûleur	30
	Raccordement électrique	31
	Contrôles avant la mise en service	31
<b>Mise en service</b>	Réglage du brûleur	32
	Réglage des pressostats d'air et de gaz	33
<b>Maintenance</b>	Entretien	34
	Problèmes possibles	35
<b>Vue d'ensemble</b>	Diagramme de pré-calibrage	56-58
	Schémas électrique	59
	Pièces de rechange	60-63

## Mise en garde

Les brûleurs MAX GAS 40-120 P sont conçus pour la combustion de gaz naturel et de gaz propane, avec faibles rejets polluants. D'un point de vue conception et fonctionnement, les brûleurs répondent à la norme EN 676. Le montage, la mise en route et l'entretien ne peuvent être exécutés que par des spécialistes autorisés, dans le respect des directives et prescriptions en vigueur.

## Description du brûleur

Le brûleur MAX GAS 40-120 P est monostade, à fonctionnement complètement automatique en exécution monobloc. La construction spéciale de la tête de combustion permet une combustion à un faible taux d'oxyde d'azote et avec un coefficient de rendement élevé. Les valeurs des émissions correspondent à la classe 3, définie par EN676 (NOx<80mg/kWh). Selon la géométrie du foyer, la charge du foyer et le système de combustion (chaudière à trois parcours, chaudière à foyer borgne), des valeurs d'émission différentes peuvent en résulter. Ils conviennent pour l'équipement de tous les générateurs de chaleur conformes à la norme EN 303, ou de générateurs d'air

chaud selon la norme DIN 4794 ou DIN 30697, dans leur plage de puissances. Toute autre utilisation doit faire l'objet d'une demande d'autorisation auprès d'Ecoflam.

Pour un fonctionnement en toute sécurité, respectueux de l'environnement et économe en énergie, il faut prendre en considération les normes suivantes:

### EN 676

Brûleurs gaz à air soufflé

### EN 226

Raccordement de brûleurs fuel à nébulisation et brûleurs gaz à air soufflé à un générateur de chaleur.

### EN 60335-1, -2-102

Sécurité d'appareils électriques pour usage domestique, règles particulières pour les appareils à combustion au gaz.

### Lieu d'installation

Le brûleur ne doit pas être mis en service dans des locaux exposés à des vapeurs agressives (p. ex. laque pour cheveux, tétrachloréthylène, tétrachlorure de carbone), poussières importantes ou humidité de l'air élevée (p. ex. dans des buanderies).

## Déclaration de conformité pour brûleurs de gaz

Nous,

**Ecoflam Bruciatori S.p.A.**

déclarons sous notre responsabilité, que les brûleurs de gaz

## MAX GAS

sont en conformité avec les normes suivantes:

EN 676: 2008

EN 60335-1: 2008

EN 60335-2-30: 2006

EN 60335-2-102: 2007

EN 55014-1: 2008 + A1: 2009

EN 55014-2: 1998 + A1: 2001 + A2: 2008

Ces produits sont marqués avec la marque CE dans le respect des directives:

2009/142/EEC Gas Appliance Directive

2006/95/EEC Low Voltage Directive

2004/108/EEC EMC Directive

2006/42/EC Machinery directive

Resana, 28 Juin 2011

M. PANIZZON

Le local d'installation doit être correctement aéré de manière à garantir les conditions pour une bonne combustion. Les dispositions locales peuvent contenir des prescriptions différentes.

**Les dommages résultant des causes suivantes ne pourront pas être couverts par la garantie:**

- utilisation inappropriée.
- installation et/ou remise en état erronées par l'acheteur ou par un tiers, y compris la mise en place de pièces d'autres origines.

## Remise de l'installation et conseils d'utilisation

L'artisan qui réalise l'installation doit donner à l'utilisateur, au plus tard au moment de la réception de l'installation, les notices d'utilisation et d'entretien. Elles doivent être conservées bien visibles dans la chaufferie. L'adresse et le numéro d'appel de la station-service la plus proche doivent y être inscrits.

## Conseils à l'utilisateur

L'installation doit être vérifiée au moins une fois par an par un spécialiste. Pour en garantir l'exécution régulière, la conclusion d'un contrat d'entretien est fortement conseillée.

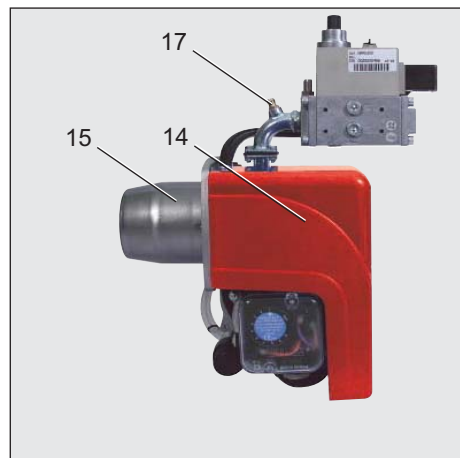
Les brûleurs Ecoflam ont été conçus et construits dans le respect des réglementations et des directives actuelles. Tous les brûleurs sont conformes aux réglementations relatives à la sécurité et aux économies d'énergie dans la limite du domaine d'utilisation déclaré. La qualité du produit est garantie par le système de certification conformément à la norme ISO 9001:2008.



# Contenus généraux - Description du brûleur

## MAX GAS 40 LN P TC - SGT 230-50-60 TW

<b>NOM</b>	MAX GAS Gas
<b>MODÈLE (Gaz: kW; fioul domestique: kg/h)</b>	MAX 40 40 kW
<b>ÉMISSIONS</b>	LN Low NOx Classe 3 GAS EN676 (<80 mg/kWh) - Standard Classe 2-GAS EN676 (<120 mg/kWh)
<b>TYPE DE FONCTIONNEMENT</b>	P 1 allure
<b>TYPE TETE</b>	TC Tête courte TL Tête longue
<b>COMBUSTIBLE</b>	Gaz Naturel LPG Gaz Propane
<b>ÉQUIPEMENT</b>	SGT Rampe gaz séparée
<b>TENSION D'ALIMENTATION</b>	230-50-60 230 Volt, 50-60 Hz
<b>COFFRET DE SECURITE</b>	TW Thermowatt



- A1 E\_BCU GAS Coffret de commande et de sécurité gaz
- F6 Pressostat air
- M1 Moteur électrique
- T1 Transformateur d'allumage
- Y Tige graduée
- 3 Régulation de l'air dans la tête de combustion.
- 5 Fusion
- 8 Gueulard
- 10 Fiche femele Wieland
- 14 Couvercle du brûleur
- 15 Bride du brûleur
- 16 Bouton de déblocage
- 17 Point de mesure de la pression du gaz.
- 103B Régulation de l'air
- 113 Volet d'air

### Emballage

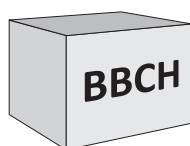
Le brûleur est livré avec un système modulaire d'emballage (boîtes séparées):

**BBCH:** Brûleur avec une tête de combustion et une bride.

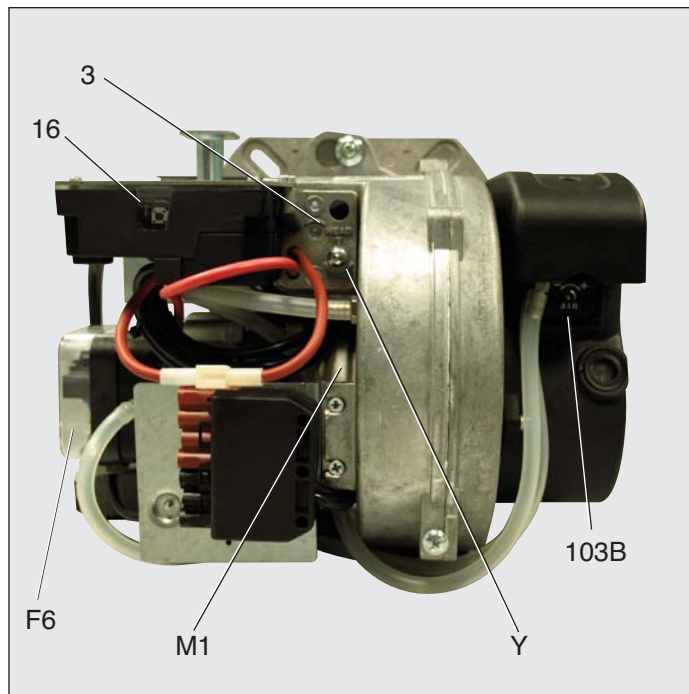
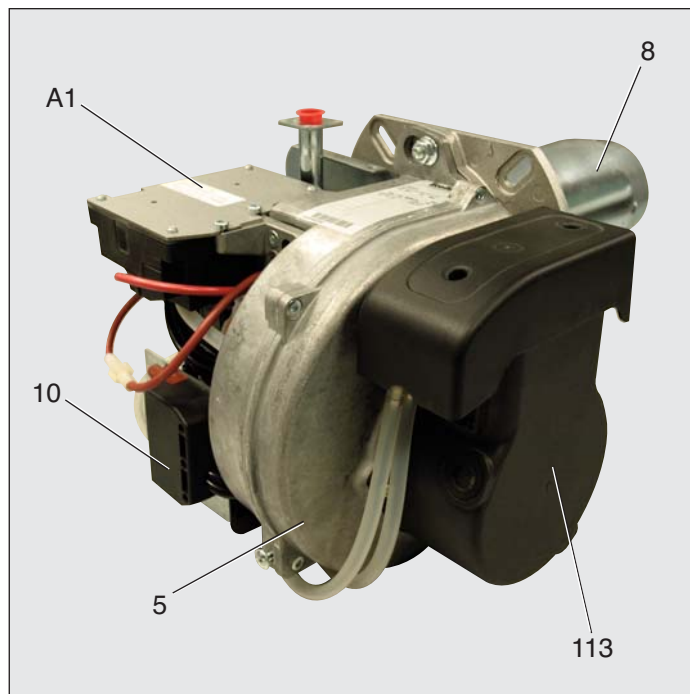
- 1 sachet :
  - manuel technicien dans multilangue.
  - fiche wieland.
  - clé six-pans.
  - vis, écrous et rondelles.

**GT:** Rampe gaz séparée

**KIT & ACS** commandés et livrés séparément



**KIT & ACS** commandés et livrés séparément



## Fonction - Fonctions générales de sécurité

### Description du fonctionnement

Lors de la première mise sous tension, après une coupure de tension ainsi qu'une mise en sécurité, après une coupure de gaz ou après un arrêt de 24 heures commence un temps de pré ventilation de 24 sec.

### Pendant le temps de préventilation:

- la pression d'air est surveillée.
- contrôle de la présence d'éventuels signaux de flamme anormaux.

### Après l'écoulement du temps de préventilation

- l'allumeur est mis en circuit.
- l'électrovanne principale et de sécurité est ouverte.
- démarrage du brûleur.

### Surveillance

La flamme est surveillée par une sonde d'ionisation. La sonde est montée de façon isolée sur la tête gaz et est dirigée à travers le déflecteur dans la zone de la flamme. La sonde ne doit pas avoir de contact électrique avec des pièces mises

à la terre. Si un court-circuit apparaît entre la sonde et la masse du brûleur, le brûleur se met en défaut. En fonctionnement, une zone ionisée naît dans la flamme gaz à travers laquelle un courant redressé circule de la sonde vers le tube du brûleur. Le courant d'ionisation doit être supérieur à 1,5  $\mu$ A.

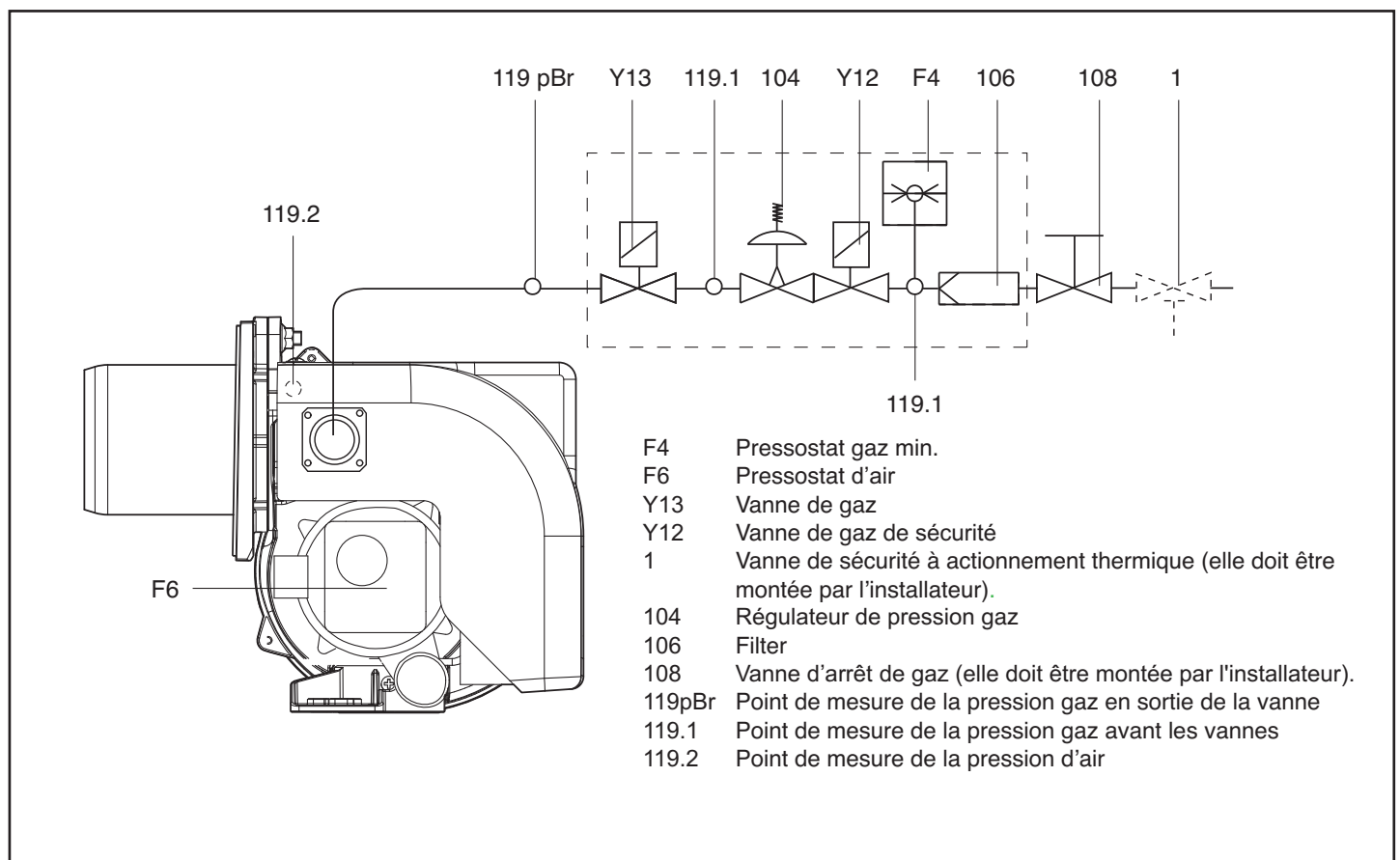
### Fonctions de sécurité

- Si aucune flamme ne se forme au démarrage du brûleur (libération du gaz), le brûleur est coupé après écoulement du temps de sécurité de 3 secondes max., la vanne gaz se ferme.
- En cas de défaillance de la flamme pendant le fonctionnement, l'alimentation en gaz est interrompue en l'espace d'une seconde. Un nouveau démarrage est lancé. Si le brûleur démarre, le cycle de fonctionnement se poursuit. Autrement il s'ensuit une mise en sécurité.
- En cas de manque d'air pendant la préventilation ou le fonctionnement, une mise en sécurité intervient.
- En cas de manque de gaz, le brûleur ne se met pas en fonctionnement et/ ou

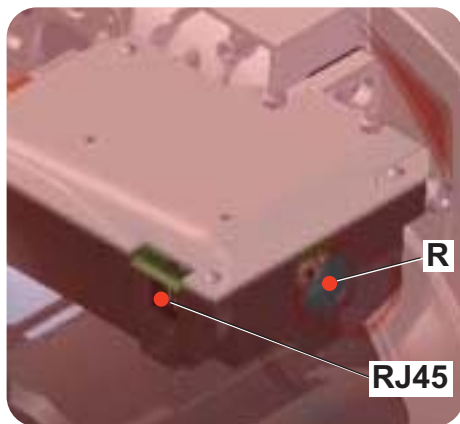
s'arrête. Il s'ensuit un temps d'attente de 2 minutes. Ensuite une nouvelle tentative de démarrage se produit. S'il n'y a toujours pas de pression de gaz, s'écoule un nouveau temps d'attente de 2 minutes. Le temps d'attente ne peut alors être annulé que par une mise hors tension du brûleur. Temps d'attente : 3 x 2 min., puis 1 heure.

### Lors de l'arrêt de régulation

- Le thermostat de régulation interrompt la demande de chauffe.
- Les vannes gaz se ferment.
- La flamme s'éteint.
- Le moteur de ventilation s'arrête.
- Le brûleur est prêt à fonctionner.



# Fonction - Coffret de commande et de sécurité E-BCU GAS



Le coffret de commande et de sécurité fioul domestique E-BCU GAS commande et surveille le brûleur à air soufflé. Grâce à la commande du déroulement du programme par microprocesseur, on aboutit à des temps très stables, indépendamment des variations de la tension d'alimentation électrique ou de la température ambiante. Le coffret est conçu avec une protection contre la baisse de la tension électrique. Lorsque la tension d'alimentation électrique se situe en dessous de la valeur minimale (170 V) demandée, le coffret de sécurité s'arrête sans émettre de signal de défaut. Dès que la tension dépasse 178 V, le coffret de

sécurité redémarre automatiquement.

### Verrouillage et déverrouillage

Le coffret de sécurité peut être verrouillé (défaut forcé) et déverrouillé (défaut acquité) au moyen du bouton R à la condition que le coffret soit sous tension.

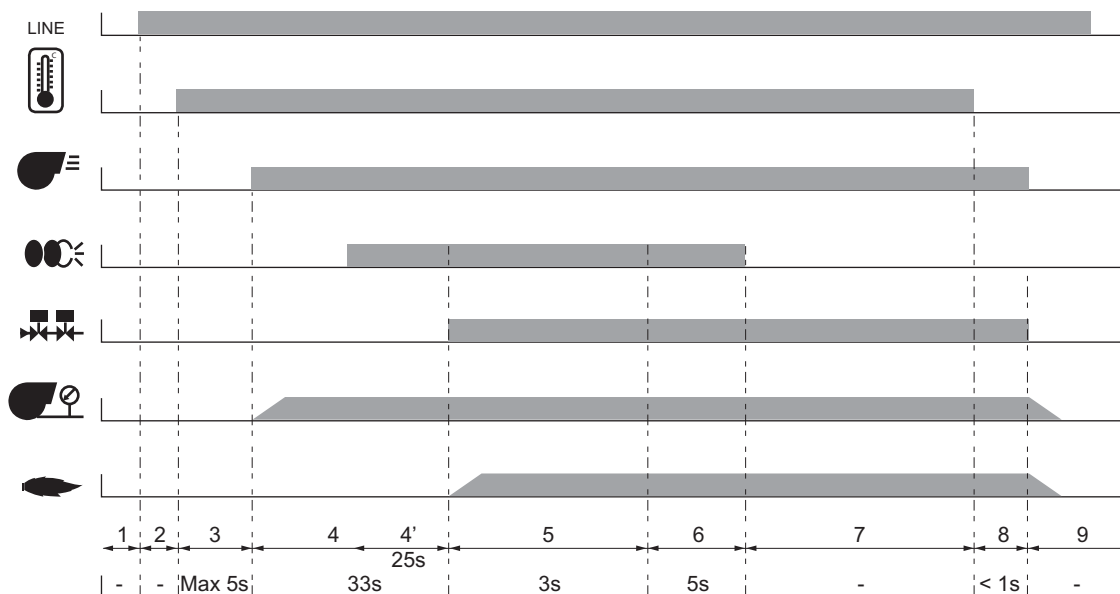
- R** - bouton de réarmement + LED de signalisation du blocage.
- RJ45** - Connecteur pour connexion PC (diagnostic, fourni séparément)

**!** Avant le montage ou le démontage du coffret de sécurité, l'appareil doit être mis hors tension. Il ne faut ni ouvrir ni réparer le coffret de sécurité.

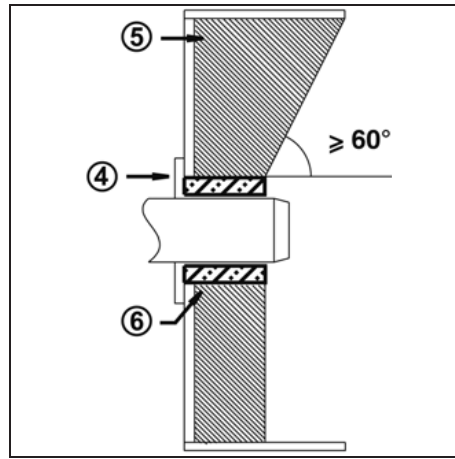
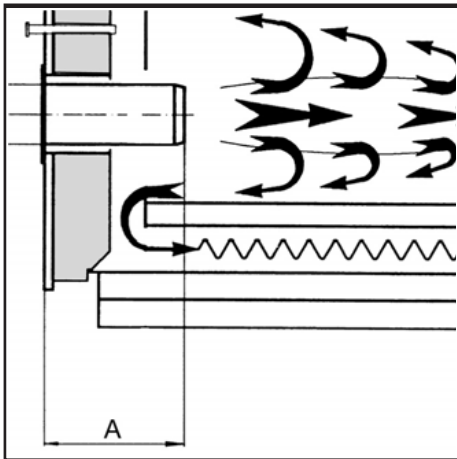
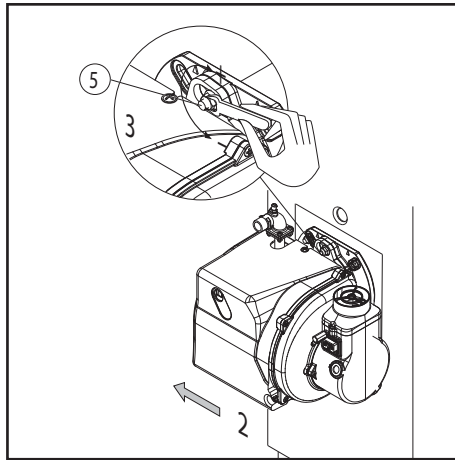
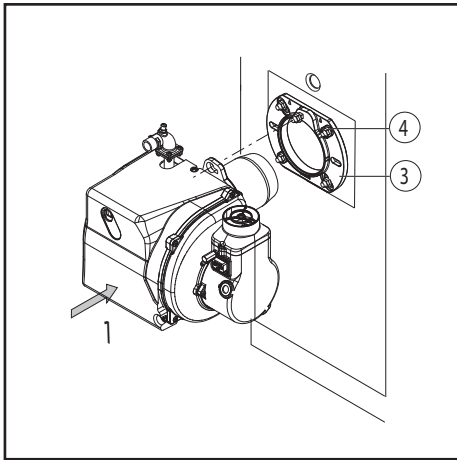


Kit E-BCU  
Outils de diagnostic  
(non inclus)

Symbole	Description
	Attente demande de chaleur chaudière
	Vanne du gaz
	Attente manostat air au démarrage
	Alimentation du moteur
	Mise sous tension de l'allumeur
	Flamme présente



## Installation - Montage du brûleur

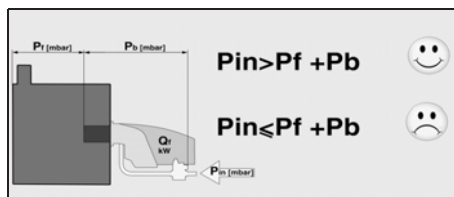
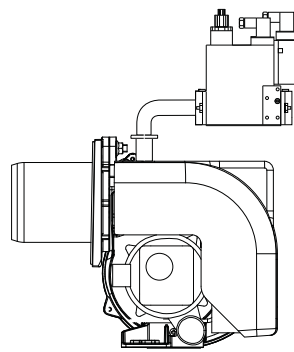


### Ligne d'alimentation en gaz

Dans l'installation de la ligne d'alimentation et de la rampe de gaz, il y a lieu de respecter les consignes de l'EN676. Le Kit obligatoire EN676 doit être installé. D'autres accessoires devront être montés par l'installateur pour satisfaire à d'éventuelles réglementations locales.

### Prescriptions d'ordre général pour le raccordement gaz

- Le raccordement de la rampe gaz au réseau de gaz ne peut être réalisé que par un technicien spécialiste agréé.
- La section de la tuyauterie de gaz doit être réalisée de telle sorte que la pression d'alimentation gaz ne tombe pas en dessous de la valeur prescrite.
- Une vanne manuelle d'arrêt (non fournie) doit être montée en amont de la rampe gaz.



### LÉGENDE

P<sub>f</sub>: contre-pression dans la chambre de combustion.  
 P<sub>b</sub>: pression du brûleur (tête de combustion + rampe gaz complète)  
 P<sub>i</sub>: pression d'entrée gaz minimale

### Montage du brûleur

Le brûleur est fixé à la bride de fixation et, par conséquent, à la chaudière ; de cette manière, la chambre de combustion est fermée hermétiquement.

### Montage:

- Fixer la bride de fixation 3 à la chaudière au moyen des vis 4.
- Tourner légèrement le brûleur, l'introduire dans la bride et le fixer avec la vis 5.

### Démontage :

- Desserrer la vis 5.
- Tourner le brûleur et l'extraire de la bride.

### Profondeur de montage du tube du brûleur et garnissage en maçonnerie

Pour les générateurs sans paroi avant refroidie et en l'absence d'indications contraires par le constructeur de la chaudière, il est nécessaire de réaliser un garnissage en maçonnerie ou une isolation (5) selon la figure ci-contre. Le garnissage en maçonnerie ne doit pas déborder la bordure avant du gueulard et sa dépouille conique ne doit pas dépasser 60°. L'interstice d'air (6) doit être comblé avec un matériau d'isolation élastique et ininflammable.

### Mené des fumées

Au fin d'éviter du bruit non désirées, il est recommandé d'éviter les pièces de raccordement à angles droits lors du raccordement de la chaudière à la cheminée.

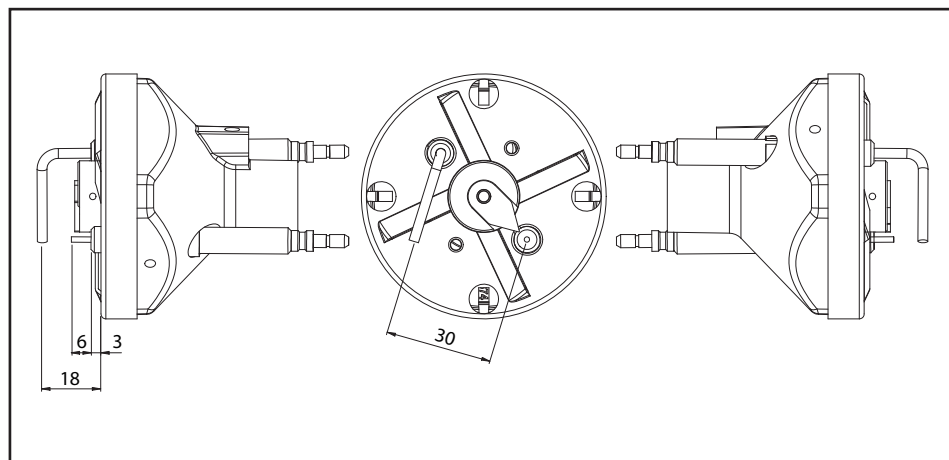
### TRANSFORMATION AU GPL

KITLPG-MAXGAS...

Pour travailler avec le GPL, il faut acheter le kit GPL et le monter en respectant les instructions ci-jointes.



# Installation - Raccordement électrique - Contrôles avant la mise en service



### Position électrodes

Toujours vérifier la position des électrodes après leur remplacement ou le montage du KIT LPG. Une position erronée des électrodes pourrait causer des problèmes d'allumage ou de révélation.

### Raccordement électrique

L'installation électrique et les travaux de raccordement doivent être réalisés exclusivement par le personnel qualifié et autorisé.

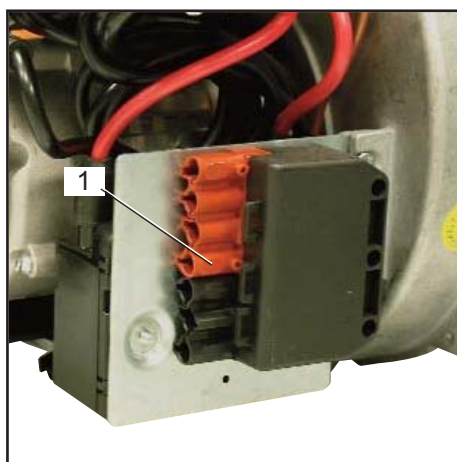
Les prescriptions et directives en vigueur doivent être respectées.

L'installation d'alimentation devra être munie d'un interrupteur différentiel de type A.

**Respecter obligatoirement les prescriptions et les directives en vigueur, outre le schéma électrique fourni avec le brûleur!**

- Vérifier si la tension électrique d'alimentation correspond à la tension indiquée dans le schéma électrique et sur la plaque signalétique.

Fusible sur la chaudière: 5 A



### Contrôles avant la mise en service

Il convient de contrôler les points suivants avant la première mise en service.

- Montage du brûleur conformément aux présentes instructions.
- Préréglage du brûleur conformément aux indications du tableau de réglage.
- Réglage des organes de combustion.
- Le générateur de chaleur doit être prêt à fonctionner, les prescriptions d'exploitation du générateur de chaleur doivent être respectées.
- Toutes les connexions électriques doivent être réalisées correctement.

Les données de réglage ci-dessus sont des réglages de base. Les données de réglage d'usine sont encadrées en gras et sur fond gris. Dans un cas normal, ces réglages permettent la mise en service du brûleur. Vérifier en tout état de cause soigneusement les valeurs de réglage. En général, en fonction de l'installation, des corrections doivent être apportées.

Le système de chauffage sont remplis d'eau, les pompes de circulation sont en service.

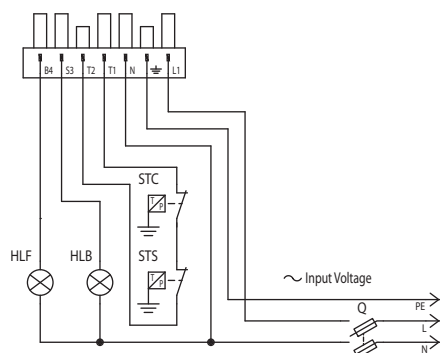
- Le régulateur de température, le régulateur de pression, la protection contre le manque d'eau et les autres dispositifs de limitation et de sécurité éventuellement présents sont raccordés et opérationnels.

La cheminée doit être dégagée et le dispositif d'air additionnel, si présent, en fonctionnement.

- Un apport d'air frais suffisant doit être garanti.
- La demande de chaleur doit être présente.
- Une pression de gaz suffisante doit être disponible.
- Les conduites de combustible doivent être montées dans les règles de l'art, leur étanchéité contrôlée et être purgées.
- Un point de mesure conforme aux normes doit être présent, le conduit de fumée jusqu'au point de mesure doit être étanche, de telle manière que les résultats de mesure ne soient pas faussés.

### Raccordement électrique par connecteurs

Le brûleur doit pouvoir être déconnecté du réseau à l'aide d'un dispositif de coupure omnipolaire conforme aux normes en vigueur. Le brûleur et le générateur de chaleur (chaudière) sont reliés entre eux par un connecteur Wieland à sept pôles (fig. 1).



### Raccordement de la rampe de gaz

Raccorder la rampe de gaz aux prises situées sur le brûleur.

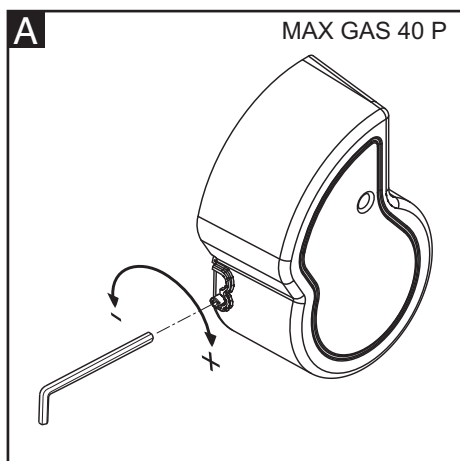
### Mesure du courant d'ionisation

Pour la mesure du courant d'ionisation, débrancher le connecteur B10 et brancher un multimètre doté d'une gamme de mesure de 0 à 100 µA.

Le courant d'ionisation doit être supérieur à 1,5 µA. Il est également possible de consulter l'intensité du courant d'ionisation même avec l'outil diagnostic E-BCU.



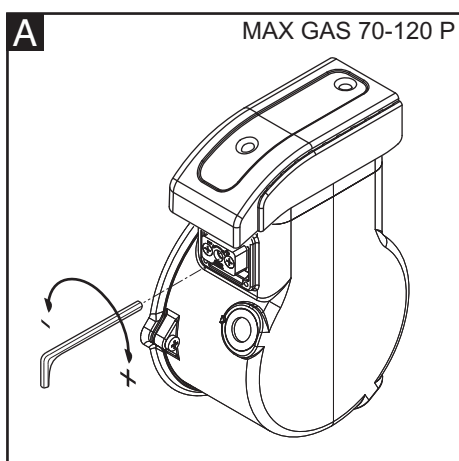
## Mise en service - Réglage du brûleur



### Régulation de l'air (A).

Agir sur les vies en figure:

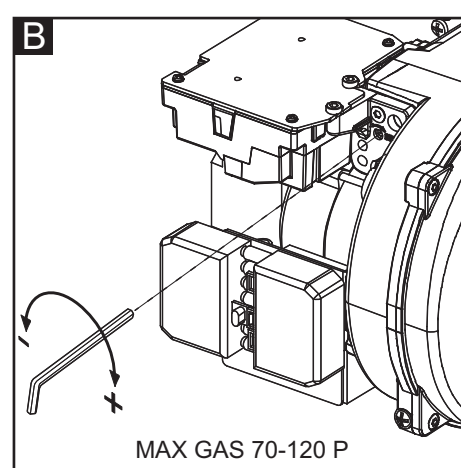
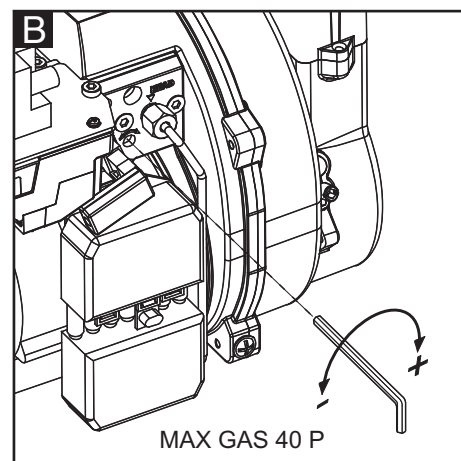
- en tournant en sens horaire, le débit augmente.
- en tournant en sens inverse horaire, le débit il réduit.



### Régulation de la tête de combustion (B).

Agir sur les vies en figure:

- tourner avec une clé hexagonale jusqu'à la valeur souhaitée (index de 0 à 4.5).



### Risque de déflagration:

Contrôler en permanence le CO, le CO<sub>2</sub> et les émissions de fumée pendant le réglage. En cas de formation de CO, optimiser les valeurs de combustion. La teneur en CO ne doit pas dépasser 50 ppm.

### Diagrammes de pré-calibrage en pièce jointe.

Avant d'allumer le brûleur, le régler selon les valeurs de pré-calibrage valables pour le gaz naturel et le GPL. Ces valeurs proviennent de notre laboratoire d'essais et servent à la mise en marche du brûleur, le réglage doit être vérifié à l'aide d'un analyseur de combustion.

### Comment lire les diagrammes et régler le brûleur:

- déterminer la puissance requise.
- déterminer la contre-pression dans la chambre.
- observer la position de la tête dans le

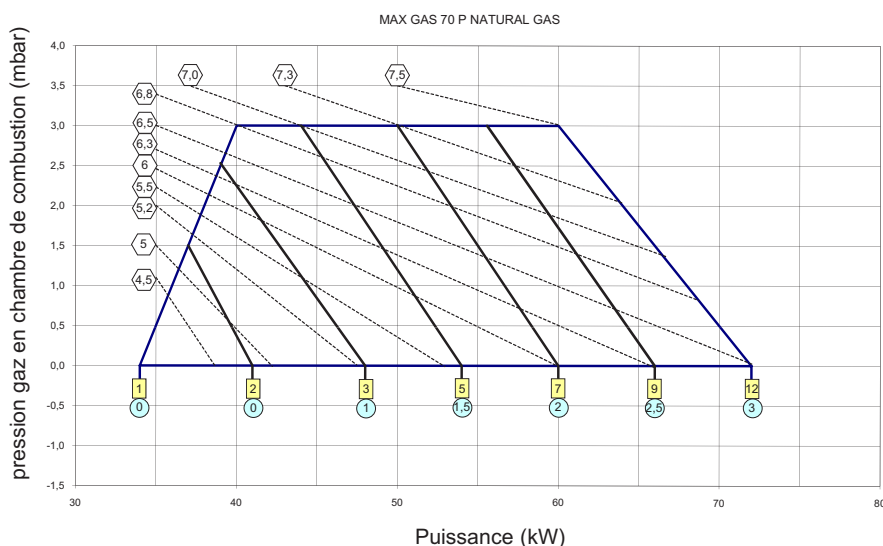
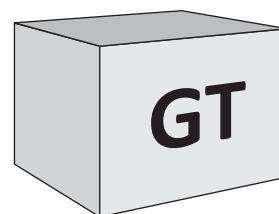
diagramme et la régler comme sur la fig.B.  
- observer la position du registre d'air dans le diagramme et le régler comme sur la fig. A.

### Optimisation des valeurs de combustion

Le calibrage d'usine devra être modifié en fonction de la puissance requise. Les diagrammes du calibrage du registre/tête de combustion se trouvent en pièce jointe.

### Réglage de la vanne de gaz

Régler les vannes de gaz en fonction des instructions du manuel de la rampe de gaz.



**Attention:** en cas d'installation sur une chaudière, respecter la température minimale des fumées d'évacuation en fonction des indications du fabricant de la chaudière et selon les exigences du système d'évacuation des fumées, afin d'éviter la formation de condensation.

pression gaz en tête mesurée sur la courbe (mbar)

position tête

position du registre d'air



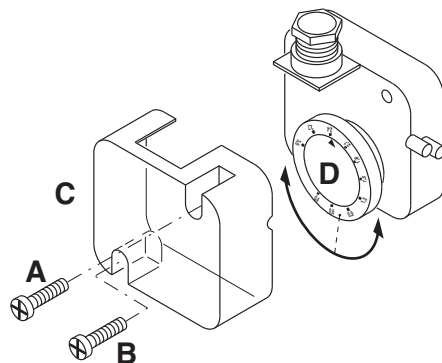
## Mise en service - Régulation des pressostat air et gaz

### Réglage du pressostat d'air

Le pressostat d'air contrôle la pression de l'air de ventilation.

Dévisser les vis A et B et enlever le couvercle C.

Après avoir calibré l'air et le gaz, alors que le brûleur fonctionne, tourner lentement la bague D dans le sens des aiguilles d'une montre jusqu'à l'arrêt de blocage du brûleur. Lire la valeur indiquée sur la bague et la réduire de 15%.

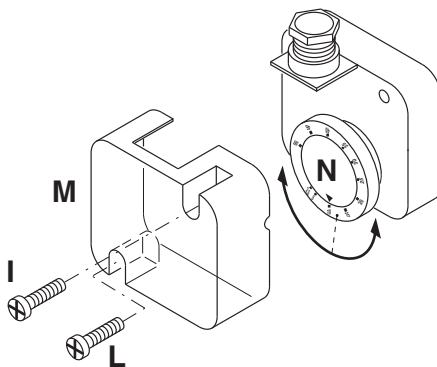


**ATTENTION:** le pressostat évitera que la pression de l'air ne descende sous 85% de la valeur programmée, en évitant ainsi que le CO des fumées ne dépasse 1%(10000 ppm).

### Réglage du pressostat du gaz min.

Le pressostat gaz mini a la fonction de vérifier que la pression du gaz avant la vanne soit à la valeur minimale pour que le brûleur fonctionne correctement.

Dévisser les vis I et L et enlever le couvercle M. - Positionner le régulateur N à une valeur équivalent au 60% de la pression nominale d'alimentation du gaz(par ex.: pour gaz nat. avec pression nom. de 20 mbar, positionner le régulateur à une valeur de 12 mbar; pour G.L.P. avec pression nom. G30/G31 30/37 mbar, positionner le régulateur à 18 mbar). - Remonter le couvercle M et visser les vis I et L.



### Contrôle de fonctionnement

Il convient de procéder à un contrôle de sécurité de la surveillance de flamme aussi bien lors de la première mise en service qu'après des révisions ou un arrêt prolongé de l'installation.

- Essai de démarrage avec la vanne de gaz fermée:

L'appareillage de contrôle devra signaler le non fonctionnement par absence de gaz ou se bloquer une fois le temps de sécurité écoulé.

## Maintenance - Entretien

Les travaux d'entretien sur la chaudière et sur le brûleur ne doivent être exécutés que par un spécialiste en chauffage. Afin d'assurer des opérations d'entretien régulières la souscription d'un contrat d'entretien doit être recommandée à l'utilisateur de l'installation.

### Attention

- Avant toute intervention d'entretien et de nettoyage, couper l'alimentation électrique.
- L'gueulard et les composantes de la

tête peuvent être chauds.

### Contrôle des températures des gaz de combustion

- Contrôler régulièrement la température des gaz de combustion.
- Nettoyer la chaudière lorsque la température des gaz de combustion dépasse la valeur à la mise en service de plus de 30°C.
- Utiliser un afficheur de température des gaz de combustion pour faciliter le contrôle.

### Positions d'entretien du brûleur

- Après avoir desserré la vis 5 et décroché le brûleur, on peut fixer dans trois positions d'entretien.

#### Position 1

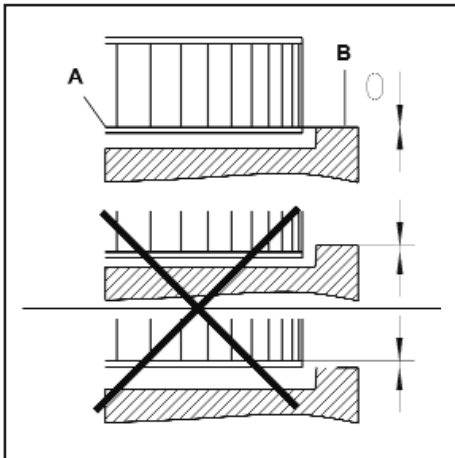
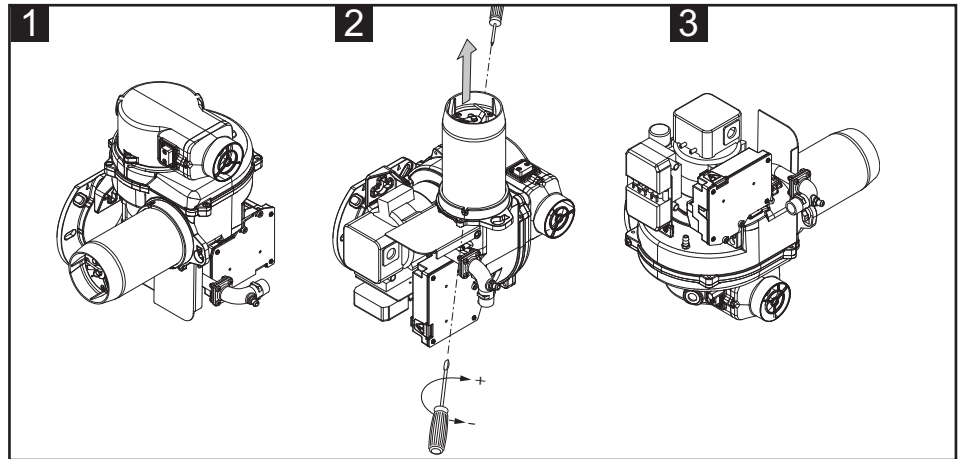
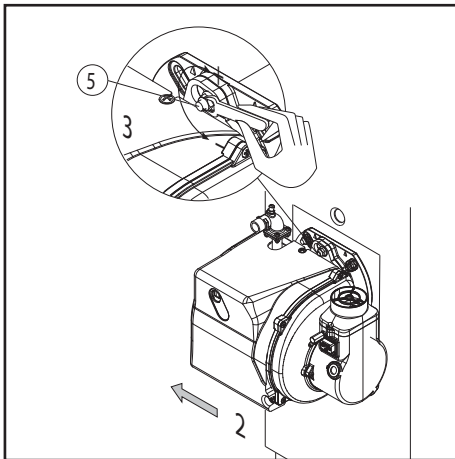
Entretien ligne d'air (nettoyage/remplacement du ventilateur)

#### Position 2

Entretien tête de combustion.

#### Position 3

Entretien composantes.



- Vérifier toutes les connexions électriques et les câbles, et les remplacer si nécessaire.
- Vérifier le filtre gaz, le cas échéant le nettoyer ou le remplacer.
- Nettoyer la turbine et le carter, et vérifier qu'ils ne sont pas endommagés.
- Vérifier et nettoyer la tête de combustion.
- Vérifier les électrodes, les régler ou les remplacer si nécessaire.
- Démarrer le brûleur, vérifier la combustion, et corriger les réglages du brûleur si nécessaire.
- Vérifier le manostat d'air et le manostat gaz.
- Vérifier l'aptitude au réglage de la rampe gaz.
- Contrôler le fonctionnement.

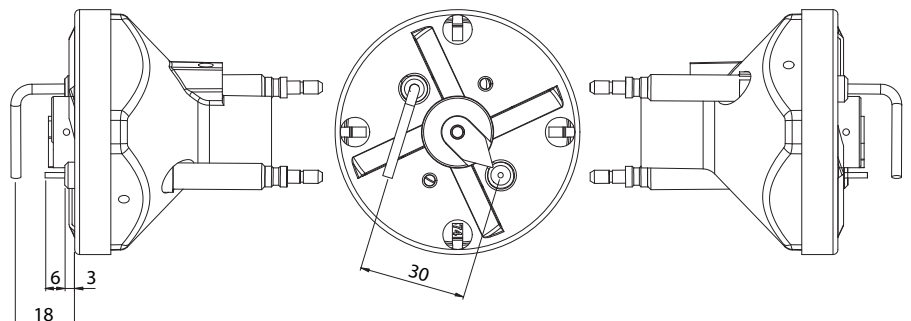
### Montage de la turbine

Lors du changement du moteur ou de la turbine, se référer au schéma de positionnement.

Le flasque interne A de la turbine doit être aligné avec la platine B. Insérer un réglage entre les aubes de la turbine et amener A et B à la même hauteur, serrer la vis sans tête avec une encoche sur le ventilateur (position d'entretien 1).

### Positions d'entretien

- Tous les composants d'alimentation en combustible (flexibles, canalisations) et leurs accouplements respectifs devraient être vérifiés (étanchéité, usure) et changés si nécessaire.



## Maintenance - Problèmes possibles

### Causes et élimination des anomalies

En présence d'anomalies, es conditions de fonctionnement normal doivent être vérifiées:

1. Y a-t-il du courant?
2. Y a-t-il de la pression de gaz?
3. Est-ce que le robinet d'arrêt du gaz est ouvert ?
4. Tous les appareils de régulation et de sécurité tels que thermostat de chaudière, protection contre le manque d'eau, interrupteur de fin de course, sont-ils réglés?

Au cas où, après je contrôle des points susdits, l'anomalie persistait, employer le suivant tableau.

Les composantes de sécurité ne doivent pas être réparés, mais plutôt ils doivent être substitué avec des composantes rapportant le même code article.

### Utiliser exclusivement des pièces de rechange d'origine.

### NB: Après toute intervention contrôler:

- es valeurs de combustion en conditions de exercice (porte de la locale chaudière éclose, couverture montée, etc).
- enregistrer les valeurs de combustion dans le livret de central.

### Afficheur E-BCU : l'interface doit exclusivement être utilisée par le

personnel qui effectue le service pour pouvoir lire les anomalies du brûleur.



Symbole	Constats	Causes	Remèdes
	Pas de demande de chaleur	Thermostat mal réglé ou défectueux	Vérifier / remplacer le thermostat.
	Le brûleur ne démarre pas après la fermeture thermostatique. Il n'y a pas d'affichage de défaut sur le coffret de commande et de sécurité.	Baisse ou défaillance de la tension d'alimentation électrique. Défaut au niveau du coffret.	Vérifier la cause de la baisse ou de l'absence de tension. Remplacer le coffret.
	Le brûleur démarre à la mise sous tension durant un temps très court et s'arrête, allumage du voyant de blocage	Le coffret a été volontairement verrouillé	Débloquer nouvellement le programmeur de je commande.
	Le brûleur ne démarre pas.	Pressostat d'air : position de fonctionnement, Réglage erroné. Contact soudé.	Régler le pressostat Remplacer le pressostat
	Le brûleur ne démarre pas. La pression de gaz est plaine.	Pression de gaz insuffisante. Le pressostat gaz est déréglé ou défectueux.	Vérifier les canalisations de gaz. Nettoyer le filtre. Vérifier le pressostat du gaz ou remplacer l'unité de gaz compacte.
	Le ventilateur du brûleur se met en route. Le brûleur ne démarre pas.	Pressostat d'air : le contact ne se ferme pas.	Contrôler le capteur de pression (corps étranger) et vérifier le câblage.
	Le ventilateur du brûleur se met en route. Le brûleur ne démarre pas.	Flamme parasite pendant le temps de préventilation ou le temps de préallumage.	Contrôler la vanne. Contrôler la surveillance de la flamme.
	Le brûleur démarre, l'allumage se met en route, ensuite il y a interruption	<ul style="list-style-type: none"> <li>- Absence de flamme à la fin du temps de sécurité.</li> <li>- Le débit de gaz est mal réglé.</li> <li>- Défaut dans le circuit de surveillance de la flamme.</li> <li>- Pas d'étincelles d'allumage.</li> <li>- Court-circuit d'une ou de plusieurs électrodes.</li> <li>- Le(s) câble(s) d'allumage est (sont) endommagé(s) ou défectueux.</li> <li>- Le transformateur est défectueux.</li> <li>- Coffret de sécurité est défectueux</li> <li>- Les électrovannes ne s'ouvrent pas.</li> <li>- Blocage des vannes</li> </ul>	<ul style="list-style-type: none"> <li>- Régler le débit de gaz.</li> <li>- Vérifier l'état et la position de la sonde d'ionisation par rapport à la masse.</li> <li>- Vérifier l'état et les raccordements du circuit d'ionisation (câble et pont de mesure).</li> <li>- Régler les électrodes, nettoyer ou remplacer.</li> <li>- Brancher le ou les câbles ou remplacer</li> <li>- Remplacer le transformateur</li> <li>- Remplacer le coffret de sécurité</li> <li>- Contrôler les câblages entre le coffret et les composants externes.</li> <li>- Remplacer l'unité de gaz compacte</li> <li>- Remplacer le vanne du gaz</li> </ul>
	Défaillance de la flamme en cours de fonctionnement.	<ul style="list-style-type: none"> <li>- Pressostat d'air : le contact s'ouvre au démarrage ou pendant le fonctionnement.</li> <li>- Défaillance de la flamme en cours de fonctionnement.</li> </ul>	<p>Régler ou remplacer le pressostat</p> <p>Contrôler la sonde d'ionisation Régler ou remplacer le coffret de sécurité</p>

## Contenidos generales - índice - advertencias generales - Declaración de conformidad

<b>Descripción</b>	Datos técnicos	3
	Ámbito de funcionamiento	4
	Dimensiones	5
<b>Contenidos</b>	índice	36
	Advertencias generales	36
	Declaración de conformidad	36
	Descripción del quemador	37
<b>Función</b>	Funciones generales de seguridad	38
	Equipo control llama y de seguridad E-BCU GAS	39
<b>Instalación</b>	Montaje del quemador	40
	Conexión eléctrica	41
	Comprobaciones previas a la puesta en servicio	41
<b>Puesta en servicio</b>	Ajuste del quemador	42
	Ajuste de los presostatos de aire y gas	43
<b>Mantenimiento</b>	Conservación	44
	Posibles inconvenientes	45
<b>Descripción</b>	Diagrama de calibración previa	56-58
	Esquemas eléctrico	59
	Piezas de recambio	60-63

### Advertencia

Los quemadores MAX GAS 40-120 P se han concebido para la combustión de gas natural y de gas propano con bajas emisiones contaminantes. Los quemadores cumplen con la norma EN 676 desde el punto de vista del diseño y del funcionamiento. La instalación, la puesta en marcha y el mantenimiento deben ser realizados exclusivamente por técnicos instaladores autorizados siguiendo las directivas y recomendaciones vigentes.

### Descripción del quemador

Los quemadores MAX GAS 40-120 P son aparatos monobloque de una etapa y con un funcionamiento completamente automático. La construcción especial del cabezal de combustión permite obtener una combustión con un índice de óxidos de nitrógeno débil y un coeficiente de rendimiento elevado. Los valores de las emisiones corresponden a la clase 3, tal como la define la EN676 (NOx<80mg/kWh). Según la geometría del hogar, la carga del mismo y el sistema de combustión (caldera de tres pasos de humos, caldera con hogar de fondo ciego), pueden obtenerse valores de emisiones diferentes. Son adecuados para todo tipo de generadores de calor que cumplan la

norma EN 303 o para generadores-pulsadores de aire caliente fabricados según la norma DIN 4794 o DIN 30697, en su intervalo de potencias. Cualquier otro uso debe ser objeto de una solicitud de autorización a Ecoflam. Para un funcionamiento completamente seguro, respetuoso con el medio ambiente y económico desde el punto de vista energético, se deben tener en cuenta las siguientes normas:

#### EN 676

Quemadores de gas de aire soplado

#### EN 226

Conexión de quemadores de gasóleo y de gas de aire soplado a un generador de calor.

#### EN 60335-1, -2-102

Seguridad de los dispositivos eléctricos para un uso doméstico, normas especiales para dispositivos de combustión de gas.

#### Condiciones de instalación

El quemador no se debe poner en servicio en locales expuestos a vapores agresivos (por ejemplo laca para el cabello, tetracloretileno, tetracloruro de carbono), con gran cantidad de polvo o alto grado de humedad del aire (por ejemplo en lavanderías). Es necesario que el local de

### Declaración de conformidad para quemadores de gas

Nosotros,

#### Ecoflam Bruciatori S.p.A.

declaramos bajo nuestra responsabilidad que los quemadores de gasóleo

#### MAX GAS

cumplen las normas siguientes :

EN 676: 2008

EN 60335-1: 2008

EN 60335-2-30: 2006

EN 60335-2-102: 2007

EN 55014-1: 2008 + A1: 2009

EN 55014-2: 1998 + A1: 2001 + A2: 2008

Estos productos están marcados con la marca CE de conformidad con la directivas:  
2009/142/EEC Gas Appliance Directive  
2006/95/EEC Low Voltage Directive  
2004/108/EEC EMC Directive  
2006/42/EC Machinery directive

Resana, 28 de junio 2011  
M. PANIZZON

instalación disponga de una ventilación adecuada para garantizar las condiciones para una buena combustión. Las disposiciones locales pueden indicar requisitos diferentes.

#### No quedan cubiertos por la garantía los daños resultantes de las siguientes causas:

- uso inadecuado.
- montaje defectuoso, instalación realizada por el comprador o un tercero, uso de piezas no originales.

#### Entrega de la instalación y consejos de uso

El instalador del sistema debe facilitar al usuario de la misma, como muy tarde en el momento de la entrega, las instrucciones de uso y mantenimiento. éstas deben conservarse en un lugar bien visible de la sala de calderas. Deben contener la dirección y número de teléfono del servicio de atención al cliente más cercano.

#### Advertencia para el operador

Al menos una vez al año, un técnico especialista deberá revisar la instalación. Para garantizar que dicha revisión se realice de una manera regular, es muy recomendable suscribir un contrato de mantenimiento.

Los quemadores Ecoflam se han diseñado y construido de acuerdo con las normativas y directivas corrientes. Todos los quemadores responden a las normativas sobre la seguridad y sobre el ahorro energético en el límite del campo de trabajo declarado. La calidad del producto está garantizada por el sistema de certificación según la norma ISO 9001:2008.



# Contenidos generales - Descripción del quemador

## MAX GAS 40 LN P TC - SGT 230-50-60 TW

**NOMBRE**

MAX GAS Gas

**MODELO (Gas: kW; Gasóleo: kg/h)**

MAX 40 40 kW

**EMISIONES**

LN Low NOx Clase 3 GAS EN676 (<80 mg/kWh)  
 - Standard Clase 2-GAS EN676 (<120 mg/kWh)

**TIPO DE OPERACIÓN**

P 1 llama

**TIPO DE CABEZA**

TC Cabeza corta  
 TL Cabeza larga

**COMBUSTIBLE**

Gas Natural  
 LPG Gas Propano

**EQUIPMENT**

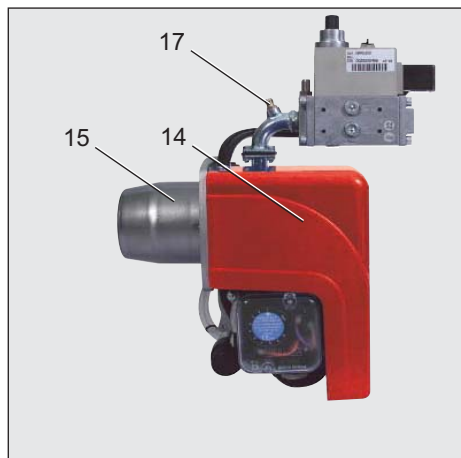
SGT Rampa de gas separado

**TENSION DE ALIMENTACIÓN**

230-50-60 230 Volt, 50-60 Hz

**EQUIPO CONTROL LLAMA**

TW Thermowatt



- A1 E\_BCU GAS Cajetín de control y de seguridad gas
- F6 Presostat de aire
- M1 Motor eléctrico
- T1 Transformador
- Y Support cabeza combustión
- 3 Regulación del aire en la cabeza combustión
- 5 Fusión
- 8 Tubo de illama
- 10 Toma Wieland
- 14 Tapa de quemador
- 15 Brida del quemador
- 16 Botón de desbloqueo
- 17 Punto de medición de la presión del gas
- 103B Regulación del aire
- 113 Toma de aire

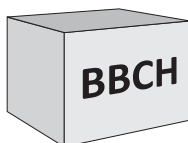
**Embalaje**

El quemador se entrega con un sistema modular de embalaje (cajas separadas) es decir, separadas set/box: **BBCH**: Quemador completo con cabezal de combustión y brida.

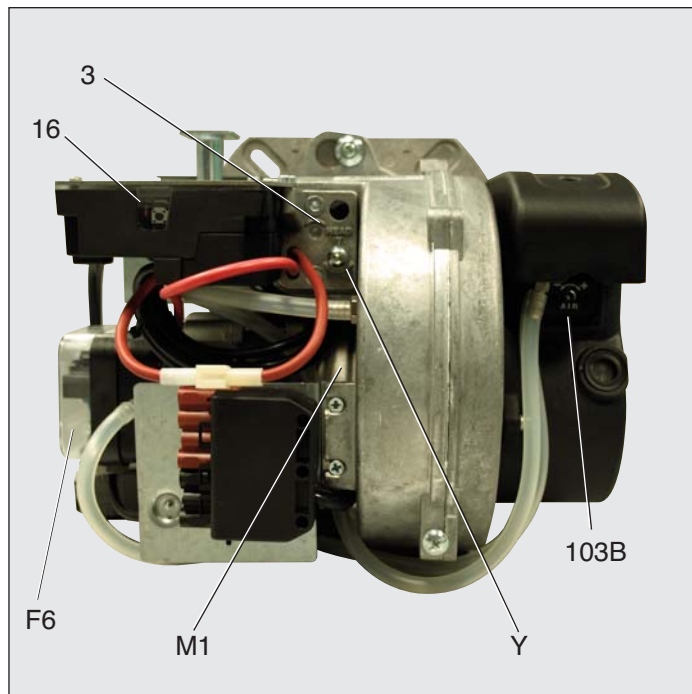
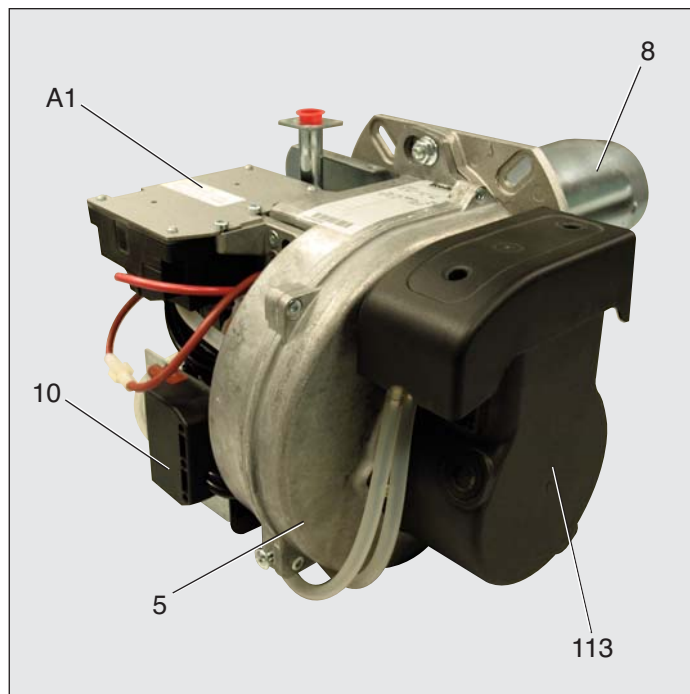
- 1 bolsa :
  - manual técnico multilingüe.
  - espina wieland.
  - llave hexagonal.
  - tornillo, tuercas y arandelas.

**GT**: Rampa de gas por separado

**KIT & ACS** disponibles y entregados por separado



**KIT & ACS disponibles y entregados por separado**



## Función - Funciones generales de seguridad

### Descripción del funcionamiento

Durante la primera activación, tras un corte de tensión o en caso de parada de seguridad tras una interrupción del suministro de gas o tras una parada de 24 horas, comienza un tiempo de preventilación de 24 s.

### Durante el tiempo de preventilación:

- se vigila la presión de aire inyectado.
- control de la presencia de eventuales señales de llama anómalas.

### Transcurrido el tiempo de preventilación

- el encendido entra en el circuito.
- la electroválvula principal y de seguridad está abierta.
- arranque del quemador.

### Vigilancia

La llama se vigila por medio de una sonda de ionización. La sonda se monta, de manera que quede aislada, en el cabezal de gas y pasa a través del deflector a la zona de llama. La sonda no debe estar en contacto eléctrico con piezas que tengan

toma de tierra.

Si se produce un cortocircuito entre la sonda y la masa del quemador, el quemador indicará un fallo.

Durante el funcionamiento se crea una zona ionizada en la llama de gas. Por esta zona circula una corriente rectificada hacia el extremo del quemador. La corriente de ionización debe ser superior a 1,5  $\mu$ A.

### Funciones de seguridad

- Si no se produce llama al arrancar el quemador (salida de gas), el quemador se interrumpirá transcurrido el tiempo de seguridad de 3 segundos y la válvula de seguridad se cierra.

- En caso de fallar la llama durante el funcionamiento, la alimentación de gas se interrumpe en el espacio de un segundo. Se inicia una nueva puesta en marcha. Si el quemador se pone en marcha, continúa el ciclo de funcionamiento. En caso contrario se produce un bloqueo de seguridad.

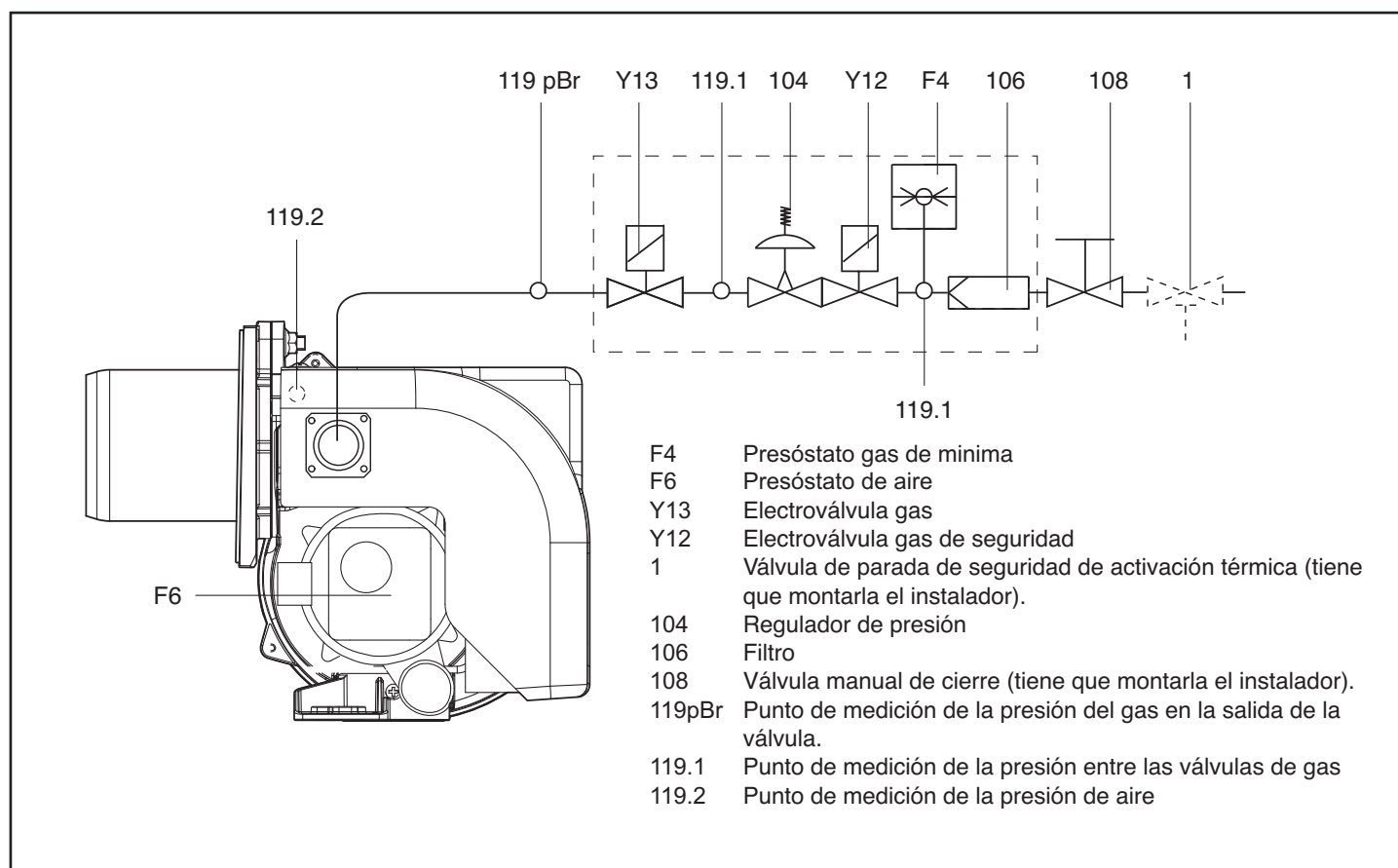
- En caso de falta de aire durante la preventilación o el funcionamiento, se

produce el bloqueo de seguridad.

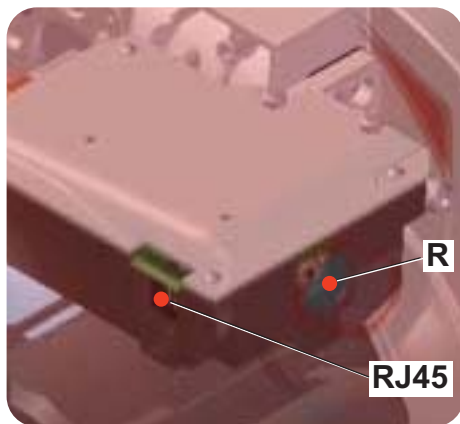
- En caso de falta de gas, el quemador no se pondrá en marcha o se detendrá. A continuación tendrá lugar un tiempo de espera de 2 minutos. A continuación tendrá lugar un nuevo intento de puesta en marcha. Si sigue sin haber presión de gas, tendrá lugar un nuevo tiempo de espera de dos minutos. El tiempo de espera sólo se interrumpirá con un corte de tensión eléctrica del quemador. Tiempo de espera: 3 x 2 min., seguido de 1 hora.

### Parada de ajuste

- El termostato de regulación interrumpe la solicitud de calor.
- Las válvulas de gas se cierran.
- La llama se apaga.
- El motor de ventilación se detiene.
- El quemador está listo para funcionar.



## Función - Equipo control llama y de seguridad E-BCU GAS



El programador de control y seguridad de gas E-BCU GAS comanda y supervisa el quemador de aire soplado. Gracias al programa de gestión del microprocesador, se obtienen tiempos extremadamente estables, independientes de las oscilaciones de la tensión en la red o de la temperatura ambiente. El programador de comando y seguridad fue proyectado para trabajar con bajas tensiones. Si la tensión de la red desciende por debajo de los valores mínimos (170 V), el programador de comando se desactiva, sin mostrar una señal de error. Una vez que la tensión arriba por encima de los 178 V, el programador arranca nuevamente.

### Bloqueo y desbloqueo

El programador de comando se puede bloquear (en condiciones de anomalía) y desbloquear (eliminación de la anomalía) mediante el pulsador "R" en las condiciones que el programador de comando presente tensión en la red.

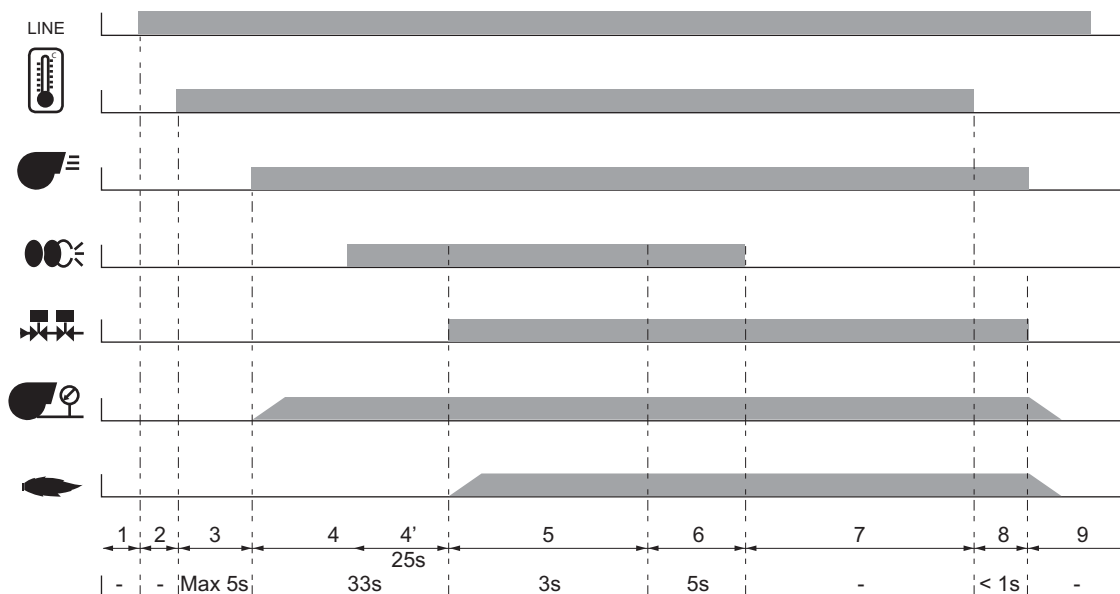
- R** - Boteón de reinicio + led indicación de bloqueo.
- RJ45** - Conector para la interfaz de PC (diagnóstico, ítem separado).



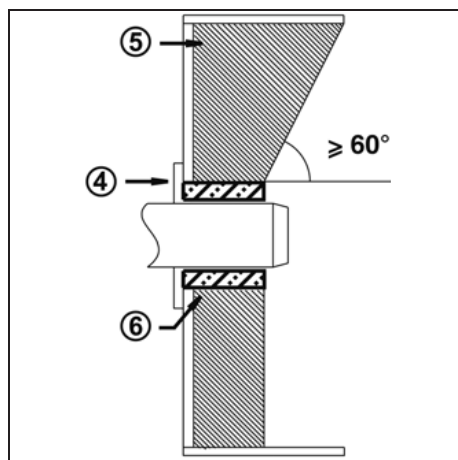
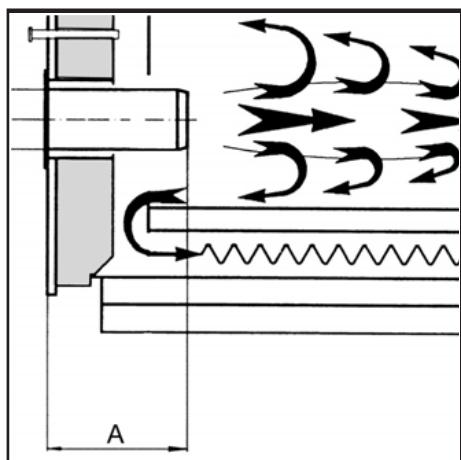
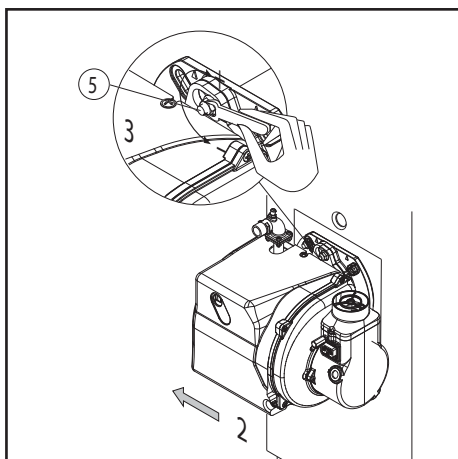
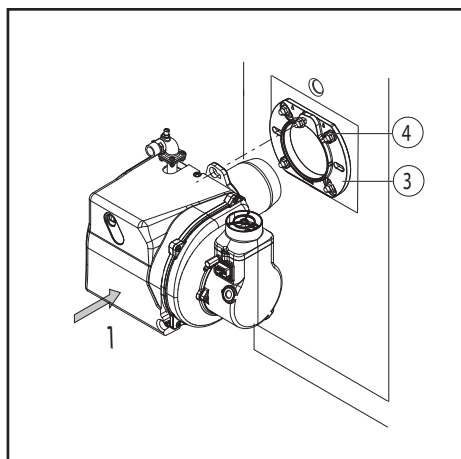
Kit E-BCU tool diagnóstico (no incluido)

**!** Antes del montaje o del desmontaje del programador de comando, el equipo debe ser desconectado de la red de alimentación. El programador de comando no debe ser abierto o reparado.

Símbolo	Descripción
	Espera de solicitud de calor de la caldera
	Activación válvula de combustible
	Tiempo de espera del presostato de aire durante la puesta en marcha
	Alimentación del motor
	Activación del transformador
	Llama presente



## Instalación - Montaje del quemador

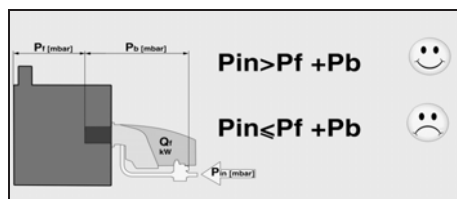
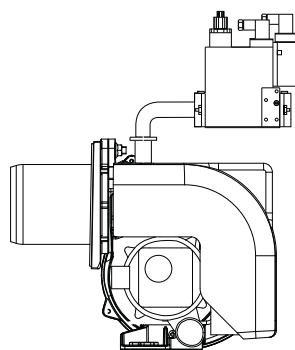


### Línea alimentación del gas

En la instalación de la línea de alimentación y de la rampa del gas es necesario cumplir con las disposiciones de la EN676. Se tiene que instalar el Kit obligatorio EN676. El instalador tendrá que ocuparse de montar ulteriores accesorios para satisfacer eventuales normativas locales.

### Disposiciones de tipo general para la conexión del gas

- La conexión de la rampa del gas a la red del gas tiene que efectuarla exclusivamente un técnico experto autorizado.
- La sección del tubo del gas tiene que prepararse de manera que la presión de alimentación del gas no pueda disminuir por debajo del valor establecido.
- Se tiene que montar al inicio de la rampa del gas una válvula de cierre manual (no suministrada).



### LEYENDA

$P_f$ : Controresión en cámara de combustión  
 $P_b$ : Presión gas quemador (cabeza de combustión + rampa de gas)  
 $P_i$ : Presión mínima de suministro

### Montaje del quemador

El quemador se fija a la brida de encaje y por consiguiente a la caldera, de esta forma la cámara de combustión se cierra herméticamente.

### Montaje:

- Fijar la brida de encaje 3 a la caldera con los tornillos 4.
- Girar ligeramente el quemador, introducirlo en la brida y fijarlo con el tornillo 5.

### Desmontaje:

- Aflojar el tornillo 5.
- Girar el quemador y extraerlo de la brida.

### Profundidad de montaje del tubo del quemador y guarnecido de albañilería

Para los generadores sin pared delantera enfriada y en ausencia de indicaciones contrarias del fabricante de la caldera, es necesario realizar un guarnecido de albañilería o un aislamiento (5) según la ilustración contigua.

El guarnecido de albañilería no debe sobresalir del borde delantero del tubo de llama y su conicidad no debe ser superior a 60°. El hueco de aire (6) debe rellenarse con un material de aislamiento elástico y no inflamable.

### Conducto de humo

Con el fin de evitar posibles emisiones acústicas desagradables, se recomienda evitar las piezas de conexión con ángulos rectos durante la conexión de la caldera a la chimenea.

### CONVERSIÓN DE GPL

KITLPG-MAXGAS...

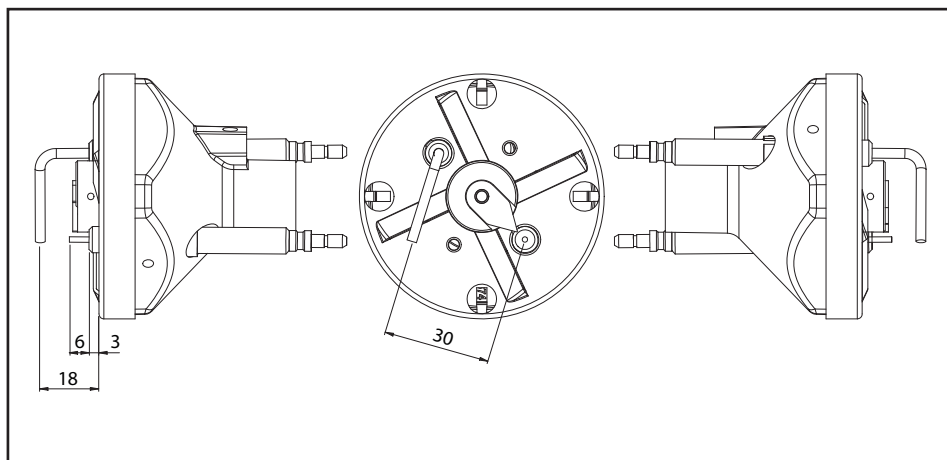
Para trabajar con GPL es necesario comprar el Kit GPL y montarlo siguiendo las instrucciones adjuntas.





## Instalación - Conexión eléctrica

### - Comprobaciones previas a la puesta en servicio



#### Posición del electrodo

Comprobar siempre la posición de los electrodos tras su sustitución o el montaje del KIT LPG. Una posición errónea puede provocar problemas de encendido o detección.

#### Conexión eléctrica

La instalación eléctrica y los trabajos de conexión debe realizarlos exclusivamente por personal autorizado.

Deben seguirse las recomendaciones y las directivas vigentes.

El equipo de alimentación tiene que disponer de un interruptor diferencial de tipo A.

**Respetar obligatoriamente las disposiciones y las directivas en vigor, además del esquema eléctrico suministrado con el quemador!**

- Comprobar que la tensión de red se corresponda con la tensión de funcionamiento que se indica en el esquema eléctrico y en la placa de características.

Fusible de la caldera : 5 A

#### Conexión eléctrica mediante conectores

El quemador debe poder desconectarse de la red por medio de un dispositivo de corte unipolar acorde con la normativa vigente. El quemador y el generador de calor (caldera) están conectados entre sí por un conector a espia Wieland a siete polos (fig. 1).

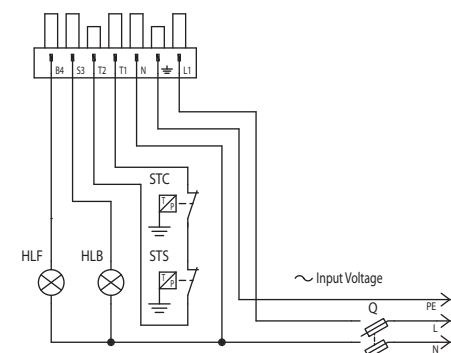
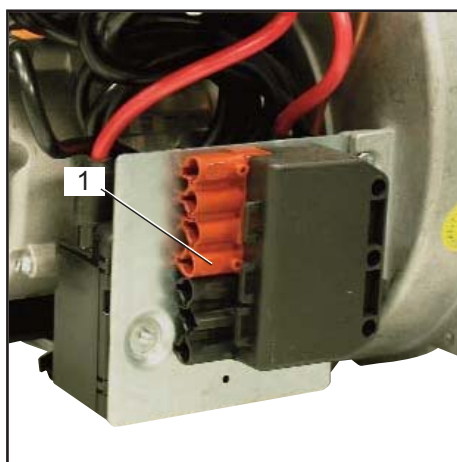
#### Conexión de la rampa del gas

Efectuar la conexión de la rampa del gas con las tomas situadas en el quemador.

#### Medición de la corriente de ionización

Para la medición de la corriente de ionización, retirar el puente de medición B10 y conectar un aparato de medición de tipo multímetro con un intervalo de medición de 0-100  $\mu$ A.

La corriente de ionización debe ser superior a 1,5  $\mu$ A. Se puede controlar la intensidad de la corriente de ionización con el tool diagnóstico E-BCU.

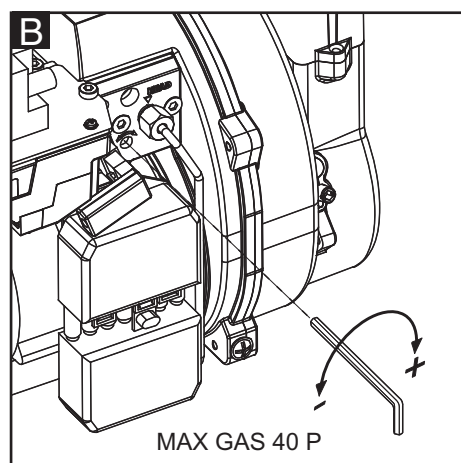
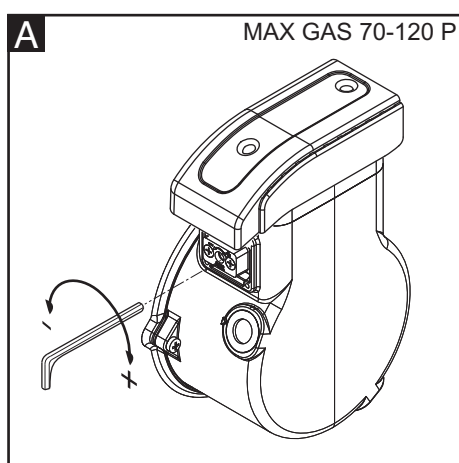
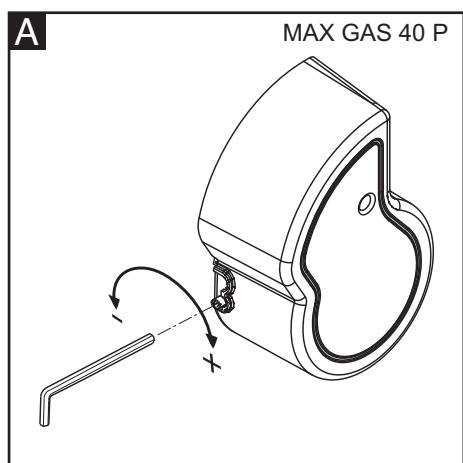


#### Comprobaciones previas a la puesta en servicio

Conviene controlar los siguientes puntos antes de la puesta en servicio.

- Montaje del quemador de conformidad con las presentes instrucciones.
- Ajuste previo del quemador según las indicaciones del cuadro de ajuste.
- Ajuste de los dispositivos de combustión.
- El generador de calor debe estar listo para funcionar; deben respetarse sus recomendaciones de utilización.
- Todas las conexiones eléctricas deben realizarse correctamente.
- El generador de calor y el sistema de calefacción deben estar lo suficientemente llenos de agua; las bombas de circulación deben funcionar.
- El regulador de temperatura, el regulador de presión, la protección contra la falta de agua y el resto de dispositivos de limitación y de seguridad que puedan encontrarse presentes están conectados y operativos.
- La chimenea debe estar despejada y el dispositivo de aire adicional, si se encuentra instalado, en funcionamiento.
- Se debe garantizar un aporte suficiente de aire fresco.
- La solicitud de calor debe estar presente.
- Tiene que estar disponible una presión de gas suficiente.
- Los conductos de combustible deben estar montados según las reglas del oficio, su estanqueidad comprobada y estar purgados.
- Debe existir un punto de medición conforme a las normas; el conducto de humos hasta el punto de medición debe ser estanco, de tal forma que los resultados de medición no se falseen.

# Puesta en servicio - Ajuste del quemador



### Reglaje del aire (A).

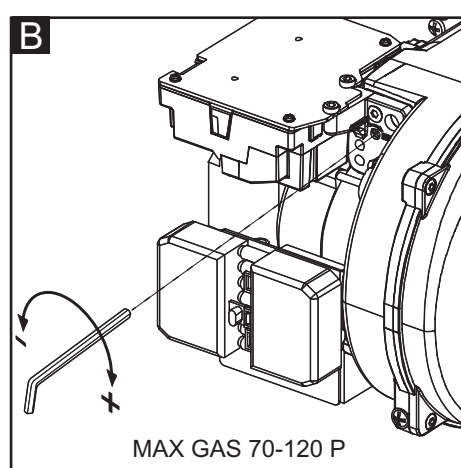
Accionar el tornillo de la figura:

- girando en el sentido de las agujas del reloj, el caudal aumenta.
- girando en el sentido contrario al de las agujas del reloj, el caudal disminuye.

### Reglaje de la cabeza de combustión(B).

Accionar el tornillo de la figura:

- girar con una llave hexagonal hasta alcanzar el valor deseado (índice de 0 a 4,5).



**!** Existe riesgo de deflagración: controle constantemente el CO, el CO2 y las emisiones de humo durante el ajuste. En caso de formación de CO, optimice los valores de combustión. El contenido de CO no debe ser superior a 50 ppm.

### Diagramas de calibración previa que se muestran en el apéndice.

Antes de encender el quemador, ajustarlo según los valores de calibración previa válidos para gas natural y GPL. Estos valores se han obtenido en nuestro laboratorio de ensayos y son útiles para la puesta en función del quemador, el ajuste se tiene que comprobar luego utilizando un analizador de combustión.

-obtener la posición del cabezal en el diagrama y ajustarla tal como se muestra en la fig.B.

-obtener la posición de la compuerta de aire en el diagrama y ajustarla tal como se muestra en la fig.A.

### Optimizar los valores de combustión

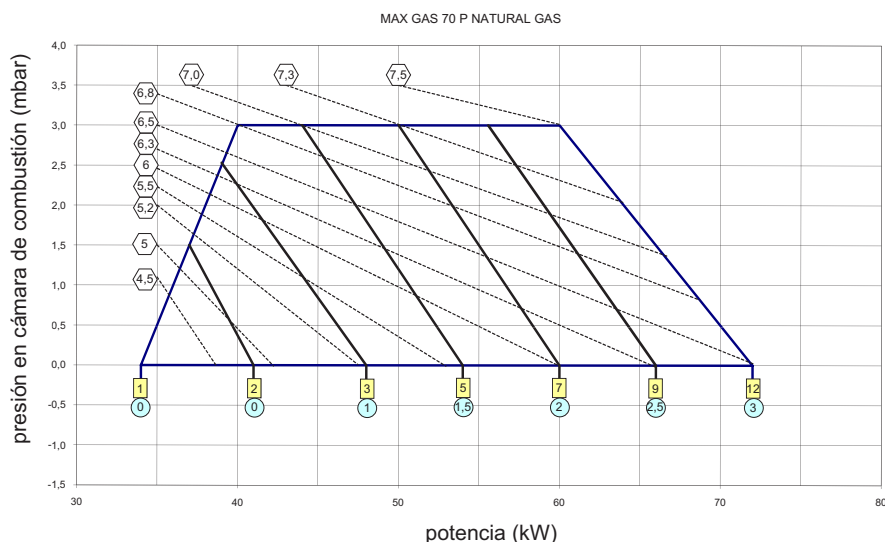
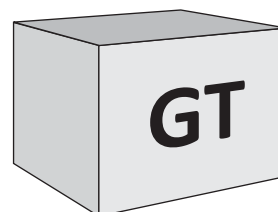
La calibración de fábrica se tendrá que modificar según la potencia solicitada. Los diagramas de la calibración de la compuerta y del cabezal de combustión, se encuentran en el apéndice.

### Cómo leer los diagramas y ajustar el quemador:

- establecer la potencia solicitada.
- establecer la presión de retorno en la cámara.

### Ajuste de la válvula del gas

Regular las válvulas del gas según las instrucciones del manual de la rampa del gas.



**Atención:** en caso de instalación sobre caldera, respetar la temperatura mínima de los gases de combustión según las indicaciones del fabricante de la caldera y según los requisitos del sistema de escape de dichos gases, para evitar la formación de condensación.

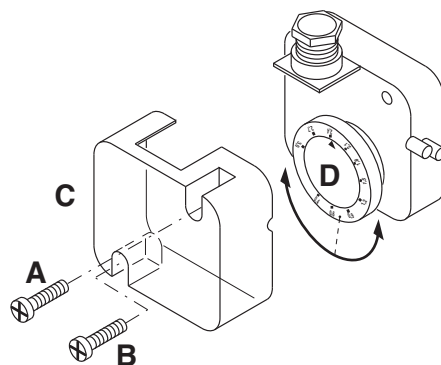
- presión de gas en la cabeza medida a la recta (mbar)
- posición de la cabeza
- posición de la compuerta de aire

## Puesta en servicio - Regulación de presóstati aire y gas

### Regulación del presóstato aire

El presóstato aire controla la presión de ventilación de aire.

Destornillar los tornillos A y B y quitar la tapa C. Después de la calibración del aire y del gas, con el quemador en función, girar lentamente en el sentido de las agujas del reloj la abrazadera D hasta el tope de bloqueo del quemador. Leer el valor indicado en la abrazadera y reducirlo un 15%. Remontar la tapa C y atornillar los tornillos A y B.

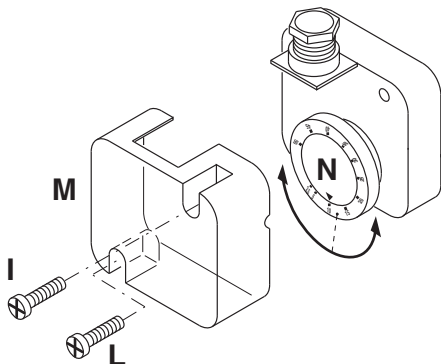


**ATENCIÓN:** el presostato evitará que la presión del aire disminuya por debajo del 85% del valor configurado, evitando de esta forma que el CO en los humos supere el 1% (10000 ppm).

### Regulación del presóstato gas de mínima

El presóstato gas de mínima tiene la función de verificar que la presión de gas antes de la rampa de gas tenga la mínima presión para asegurar que el quemador funcione correctamente.

Destornillar los tornillos I y L y quitar la tapa M. Posicionar el regulador N a un valor igual al 60% de la presión nominal de alimentación el gas (ej. para gas nat. con pres. nom. de alim. de 20 mbar, regulador regulado al valor de 12 mbar; para G.P.L. con pres. nom. de alim. G30-G31 30/37 mbar, regulador regulado al valor 18 mbar). Remontar la tapa M y atornillar los tornillos I y L.



### Control de funcionamiento

Es necesario efectuar un control de seguridad del seguimiento de la llama, tanto con motivo de la primera puesta en función como tras haber efectuado una revisión o tras un largo periodo de inactividad del equipo.

- Prueba de puesta en marcha con el grifo del gas cerrado: el equipo de control tendrá que señalar el no funcionamiento por ausencia de gas o bloquearse al final del tiempo de seguridad.

## Mantenimiento - Conservación

Las operaciones de mantenimiento de la caldera debe llevarlas a cabo un técnico especialista en calefacción. Para garantizar la realización anual de los trabajos de mantenimiento, se recomienda firmar un contrato de mantenimiento.

### Atención

- Antes de realizar cualquier intervención de mantenimiento y limpieza, cortar el suministro eléctrico.
- La tobera y los componentes del cabezal pueden estar calientes.

### Control de las temperaturas de los gases de combustión

- Compruebe con regularidad la temperatura de los gases de combustión.
- Limpie la caldera cuando la temperatura de los gases de combustión supere el valor de puesta en servicio en más de 30 °C.
- Utilice un indicador de temperatura de los gases de combustión para facilitar la comprobación.

### Posiciones de mantenimiento del quemador

- Después de aflojar el tornillo 5 y de desenganchar el quemador, es posible fijarlo en tres posiciones de mantenimiento.

#### Posición 1

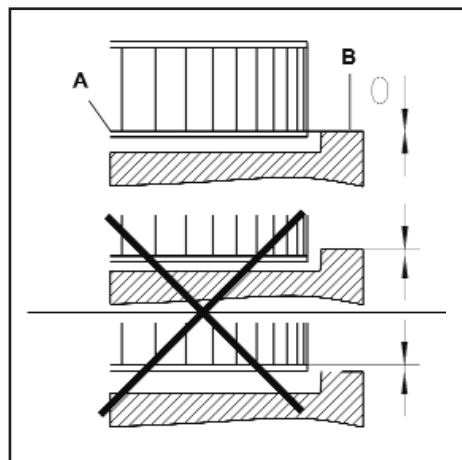
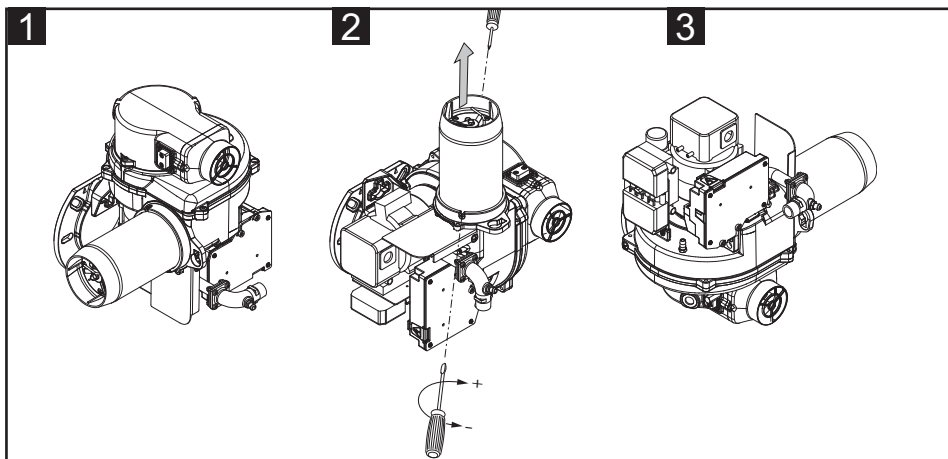
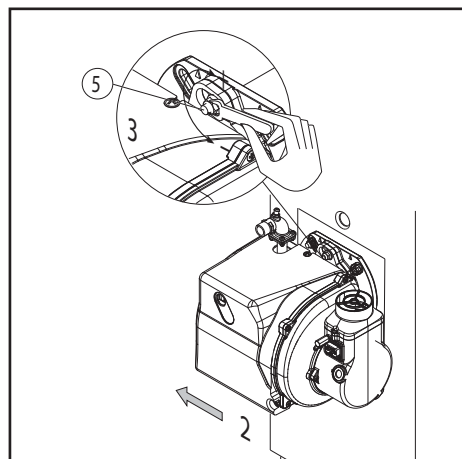
Mantenimiento línea aire (limpieza/sustitución turbina)

#### Posición 2

Mantenimiento cabeza de combustión.

#### Posición 3

Mantenimiento de los componentes.



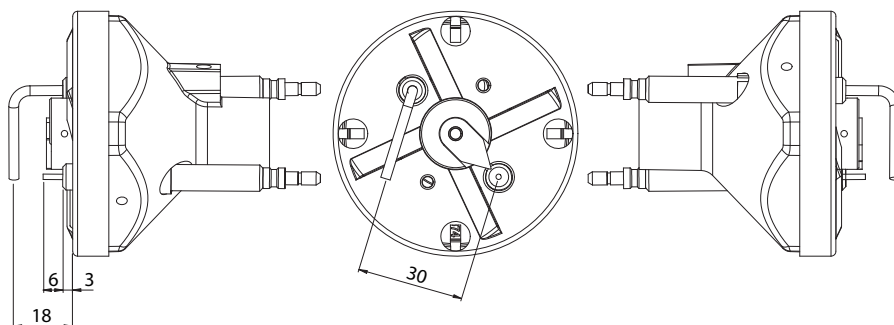
### Posiciones de mantenimiento

- Todos los componentes de alimentación de combustible (mangueras, canalizaciones) y sus acoplamientos respectivos deben ser comprobados (estanqueidad, desgaste) y cambiados si es preciso.
- Comprobar las conexiones eléctricas y los cables y sustituirlos en caso necesario.
- Comprobar el filtro de gas, limpiarlo o sustituirlo.
- Limpiar la turbina y el cárter y comprobar que no estén deteriorados.
- Comprobar y limpiar la cabeza de combustión.
- Comprobar los electrodos de encendido, ajustarlos o sustituirlos si es necesario.
- Poner en marcha el quemador, comprobar la combustión y corregir los ajustes del quemador si es necesario.
- Comprobar el presóstato de aire y el presóstato de gas.
- Comprobar la aptitud del ajuste de la rampa de gas.
- Realizar una comprobación de funcionamiento.

### Montaje de la turbina

Durante el cambio de ventola o motor, remitir al esquema de posicionamiento.

El disco interno A de la turbina debe ser alineado con la placa B. Introduzca una regleta entre los álabes de la turbina y sitúe A y B a la misma altura, apretar el tornillo con ranura en el ventilador (posición de mantenimiento 1).



## Mantenimiento - Posibles inconvenientes

### Causas y resolución de anomalía

En caso de anomalía se deben comprobar las condiciones de funcionamiento normal:

1. Hay corriente eléctrica?
2. Hay presión de gas?
3. Está abierta la válvula de cierre del gas?
4. Todos los aparatos de regulación y de seguridad, como por ejemplo el termostato de la caldera, el dispositivo de protección contra la falta de agua, el interruptor de fin de carrera, etc. están regulados?

En el caso de que, después de comprobar los puntos arriba, la anomalía persiste, consulte la tabla siguiente.

Los componentes de seguridad no debe ser reparado, pero se debe reemplazados por componentes de la muestra el mismo número de artículo.

### Utilice exclusivamente piezas.

#### NB: Después de cualquier intervención:

- bajo condiciones de funcionamiento normales (las puertas se cerraron, capilla cabida, etc.), la combustión del cheque y comprueba las líneas individuales para saber si hay escapes.
- Registre los resultados en los documentos relevantes.

**El interfaz de la visualización de E-BCU se debe utilizar para leer las averías por el personal de servicio.**



Simbolo	Observaciones	Causas	Soluciones
	Sin solicitud de calor	Termostato defectuoso o mal ajustado	Compruebe/sustituya el termostato
	El quemador no arranca tras el cierre termostático. No se indica ningún fallo en el equipo control llama.	Disminución o fallo de tensión de alimentación eléctrica. Fallo en la zona del equipo control llama	Comprobar la causa de disminución o ausencia de tensión. Sustituir el equipo control llama
	El quemador se enciende al activarlo durante breves instantes y, a continuación, se apaga, encendido del espía de bloqueo	El equipo control llama se ha bloqueado voluntariamente	Desbloquear el equipo control llama de nuevo
	El quemador no arranca	Presóstato de aire: no está en posición de parada. Ajuste erróneo. Contacto soldado.	Proceder a un nuevo ajuste del presóstato. Sustituir el presóstato.
	El quemador no arranca. La presión de gas es normal.	Presión de gas insuficiente. El presóstato de gas está desajustado o es defectuoso.	Revisar las canalizaciones de gas. Limpiar el filtro. Revisar el manostato de gas o sustituir la rampa de gas.
	Se pone en marcha el ventilador del quemador. El quemador no arranca.	Presión de aire: el contacto no se cierra.	Comprobar el sensor de presión (cuerpo extraño) y el cableado.
	Se pone en marcha el ventilador del quemador. El quemador no arranca.	Luz parásita en preencendido.	Revisar la válvula. Revisar la vigilancia de llama.
	El quemador se pone en marcha, se enciende y luego hay una interrupción.	<ul style="list-style-type: none"> <li>- Ausencia de llama transcurrido el tiempo de seguridad.</li> <li>- El caudal de gas está mal regulado.</li> <li>- Fallo en el circuito de vigilancia de la llama.</li> <li>- No hay chispas de encendido.</li> <li>- Cortocircuito de uno o varios electrodos.</li> <li>- El(los) cable(s) de encendido está(n) dañado(s) o defectuosos.</li> <li>- Transformador defectuoso</li> <li>- Equipo control llama defectuoso</li> <li>- Las electroválvulas no se abren.</li> <li>- Bloqueo de las válvulas.</li> </ul>	<ul style="list-style-type: none"> <li>- Ajustar el caudal de gas</li> <li>- Comprobar el estado y la posición de la sonda de ionización con respecto a la masa</li> <li>- Comprobar el estado y las conexiones del circuito de ionización (cable y puente de medición)</li> <li>- Ajustar los electrodos, limpiarlos o sustituirlos.</li> <li>- Conectar el o los cables o sustituirlos</li> <li>- Sustituir el transformador</li> <li>- Sustituir el equipo control llama</li> <li>- Comprobar el cableado entre el cajetín y los componentes externos.</li> <li>- Sustituir la rampa de gas</li> <li>- Sustituir las válvulas</li> </ul>
	El quemador se detiene en pleno funcionamiento.	<ul style="list-style-type: none"> <li>- Presóstato de aire: el contacto se abre en el arranque o durante el funcionamiento.</li> <li>- Fallo de la llama durante el funcionamiento.</li> </ul>	<p>Ajustar o sustituir el presóstato</p> <p>Comprobar el circuito de la sonda de ionización.</p> <p>Revisar o sustituir el equipo control llama</p>

## Содержание общего характера - Содержание - Предупреждения общего характера - Сертификат соответствия

<b>Обзор</b>	Технические характеристики	3
	Рабочий диапазон	4
	Размеры	5
<b>Содержание общего характера</b>	Содержание	46
	Предупреждения общего характера	46
	Сертификат соответствия	46
	Описание горелки	47
<b>Функция</b>	Общие функции безопасности	48
	Блок управления и безопасности E-BCU GAS	49
<b>Установка</b>	Установка горелки	50
	Электрическое соединение	51
	Необходимые проверки перед пуском в эксплуата-	51
<b>Ввод в эксплуатацию</b>	Регулировка горелки	52
	Регулировка реле давления воздуха и газа	53
<b>Техническое обслуживание</b>	Работы по техническому обслуживанию	54
	Возможные неполадки	55
<b>Обзор</b>	Диаграмма предварительной калибровки	56-58
	Электрические схемы	59
	Запчасти	60-63

### Декларация о соответствии для газовых горелок

Мы, компания

### Ecoflam Bruciatori S.p.A.

заявляет под свою ответственность, что газовые горелки

### MAX GAS

соответствуют требованиям следующих стандартов :  
 EN 676: 2008  
 EN 60335-1: 2008  
 EN 60335-2-30: 2006  
 EN 60335-2-102: 2007  
 EN 55014-1: 2008 + A1: 2009  
 EN 55014-2: 1998 + A1: 2001 + A2: 2008

Эти изделия маркируются знаком CE в соответствии с директивами:  
 2009/142/EEC Gas Appliance Directive  
 2006/95/EEC Low Voltage Directive  
 2004/108/EEC EMC Directive  
 2006/42/EC Machinery directive

Resana, 28 июня 2011  
 M. PANIZZON

### Основные указания

Горелки MAX GAS 40-120 P спроектированы для сжигания природного газа и газа пропан с низким выбросом в атмосферу загрязняющих веществ.

Горелки соответствуют норме EN 676 с точки зрения дизайна и функционирования.

Монтаж, пуск в эксплуатацию и техническое обслуживание должны производиться только квалифицированными техническими специалистами с соблюдением всех действующих директив и предписаний.

### Описание горелки

Горелки MAX GAS 40-120 P являются моноблочными одноступенчатыми приборами, работающими в полностью автоматическом режиме.

Специальная конструкция головки сгорания позволяет достичь сгорания с низким уровнем окислов азота и высоким коэффициентом полезного действия. Величины выбросов соответствуют классу 3, как определено нормой EN676 (NOx<80 мг/кВт.ч). В зависимости от геометрических параметров топочной камеры, нагрузки котла и системы сгорания (треконтурный котел, котел с замкнутой топочной камерой) значения выделения загрязняющих веществ могут быть различными. Они пригодны для

оборудования всех теплогенераторов, соответствующих стандарту EN 303, или нагнетательных генераторов теплого воздуха, соответствующих стандартам DIN 4794 или DIN 30697, в их мощностном диапазоне. Для любого другого использования требуется разрешение компании Ecoflam. В целях обеспечения безопасного, экологически чистого функционирования, низкого потребления энергии, необходимо соблюдать следующие правила:

#### EN 676

Вентиляторные газовые горелки (с наддувом)

#### EN 226

Подключение наддувных жидкотопливных или газовых горелок к теплогенератору.

#### EN 60335-1, -2-102

Безопасность электроприборов домашнего пользования, особые нормы для аппаратов сгорания на газе.

### Условия установки

Горелка не должна эксплуатироваться в помещениях с агрессивной средой (например, с распыляемыми веществами, тетрахлорэтилен, тетрахлорметан), сильно запыленным воздухом или с высокой влажностью (например, в прачечных). Достаточная вентиляция должна быть предусмотрена в помещении, где

установлена горелка, так, чтобы обеспечить условия для хорошего сгорания. Местное законодательство может содержать дополнительные требования.

### Гарантия не распространяется на возмещение ущерба, вызванного следующими причинами:

- ненадлежащее использование
- неправильная установка, установка, выполненная покупателем или третьими лицами, использование неоригинальных элементов.

### Передача установки пользователю и рекомендации по эксплуатации

Установщик обязан не позднее момента передачи установки пользователю передать ему инструкции по эксплуатации и техническому обслуживанию установки. Они должны храниться в котельной на видном месте. В них должен быть указан номер телефона и адрес ближайшего центра технического обслуживания.

### Рекомендации пользователю

Не менее одного раза в год оборудование должно проверяться квалифицированным специалистом. Для обеспечения регулярных проверок рекомендуется заключить договор на проведение технического обслуживания.

Горелки производства Ecoflam были разработаны и изготовлены в соответствии с действующими нормативами и директивами. Все горелки соответствуют стандартам безопасности и энергосбережения в пределах заявленного рабочего поля. Качество продукции гарантировано системой сертификации в соответствии с нормой ISO 9001:2008



## Содержание общего характера - Описание горелки

### MAX GAS 40 LN P TC - SGT 230-50-60 TW

#### НАЗВАНИЕ

MAX GAS газ

#### МОДЕЛЬ (газ: кВт; Газойль: кг/ч)

MAX 40 40 кВт

#### ВЫБРОСЫ

LN Low NOx Класс 3 GAS EN676 (<80 мг/кВтч)  
 - Стандарт Класс 2-GAS EN676 (<120 мг/кВтч)

#### Тип операции

P 1 этапе

#### Головка типа

TC КОРОТКАЯ ОГНЕВАЯ ГОЛОВКА  
 TL ДЛИННАЯ ОГНЕВАЯ ГОЛОВКА

#### ТОПЛИВО

природный газ  
 LPG пропан газ

#### ОБОРУДОВАНИЕ

SGT Отдельная газовая рампа

#### ИСТОЧНИК ПИТАНИЯ

230-50-60 230 Вольт, 50-60 Гц

#### CONTROL BOX

TW Thermowatt

#### Упаковка

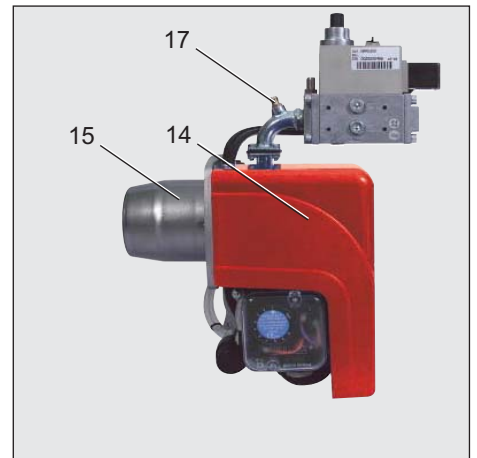
Горелка поставляется с модульной системой упаковки (отдельные коробки) отдельные комплекты/боксы:

**BBCH:** Горелка в комплекте с головкой сгорания и фланцем.

- 1 пакет : - многоязычное техническое руководство.
- штепсель wieland.
- гаечный ключ.
- винты, гайки и шайбы.

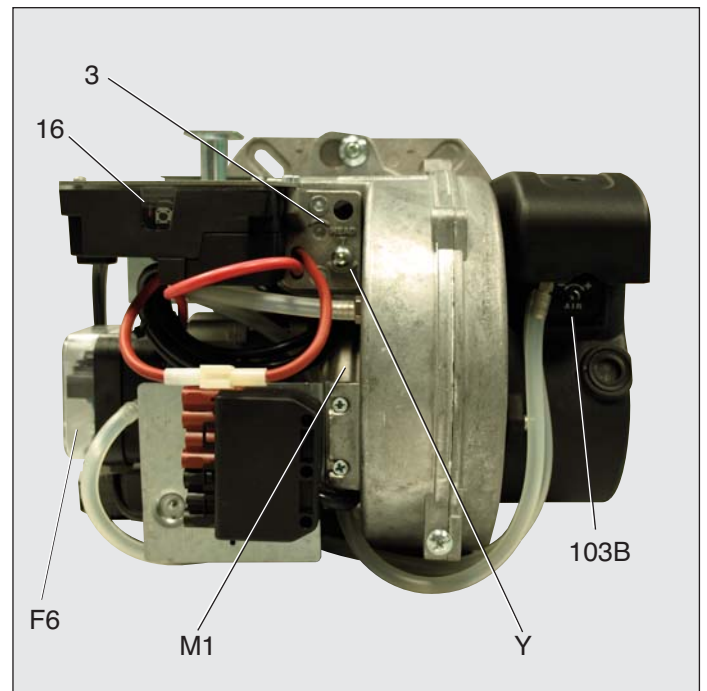
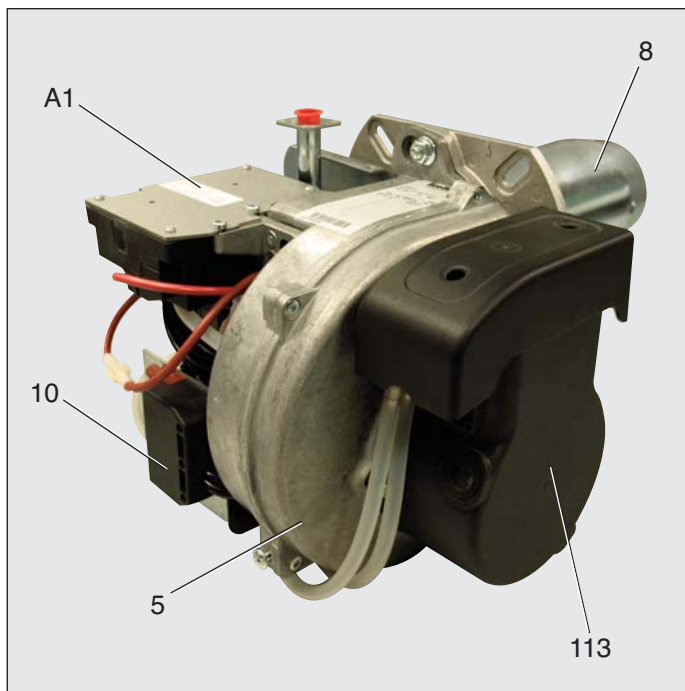
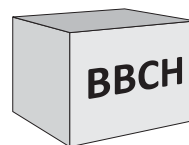
**GT:** Отдельная газовая рампа.

**KIT & ACS** заказываемые и поставляемые отдельно



- A1 E\_BCU GAS Блок управления и безопасности
- F6 Реле давления воздуха
- M1 Электродвигатель вентилятора
- T1 Устройство розжига
- Y Градуированный стержень
- 3 Регулировка воздуха в головке сгорания
- 5 Соединение (шнек)
- 8 Стакан
- 10 Розетка wieland
- 14 Кожух
- 15 Фланец горелки
- 16 Кнопка разблокировки
- 17 Точка измерения давления газа
- 103B Регулировка подачи воздуха
- 113 Короб воздухозабора

**KIT & ACS** заказываемые и поставляемые отдельно



## Функция - Общие функции безопасности

### Описание работы

При первой подаче напряжения, после отключения напряжения или перевода в режим безопасности, после отключения газа или после остановки на 24 часа, начинается время предварительной вентиляции 24 сек.

### В течение предварительной вентиляции:

- давление воздуха находится под контролем.
- контроль присутствия возможных аномальных указаний пламени.

### После истечения периода предварительной вентиляции

- запускается розжиг.
- главный и предохранительный электромагнитные клапаны открыты.
- пуск горелки.

### Контроль

Пламя контролируется ионизационным зондом. Зонд вместе с изоляцией встроен в газовую головку и проходит через дефлектор в зону пламени. Зонд

не должен иметь электрический контакт с заземленными деталями. В случае короткого замыкания между зондом и массой горелки горелка переходит в аварийный режим. При горении в газовом пламени образуется ионизационная зона, эта зона пересекается выпрямленным током, который идет от зонда к соплу горелки. Ионизационный ток должен быть не менее 1,5  $\mu$ A.

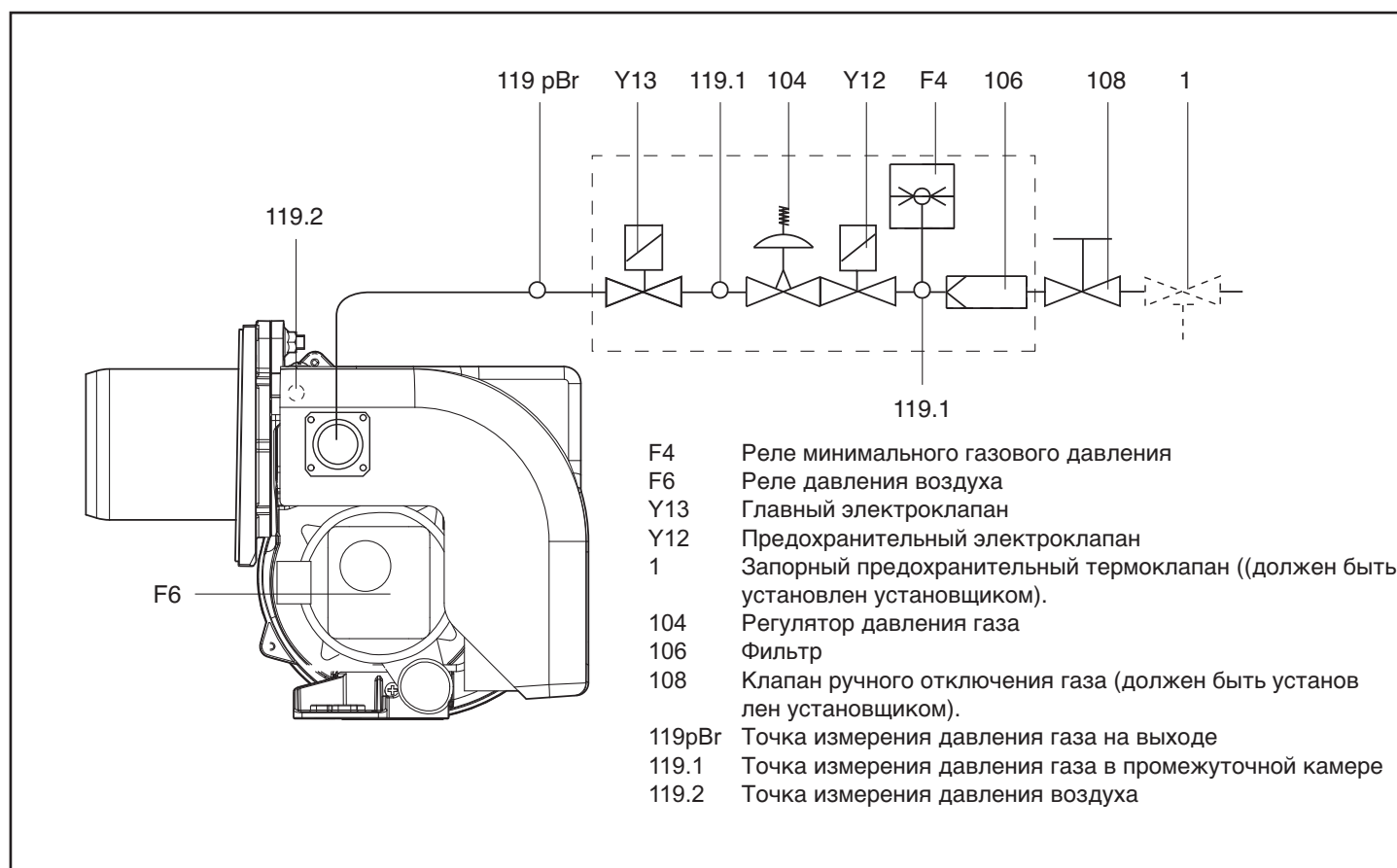
### Режим безопасности

- Если при запуске горелки (пуск газа) не образовалось никакого пламени, то по истечении времени безопасности 3 секунды макс., газовый клапан закрывается.
- В случае исчезновения пламени во время работы подача газа прекращается не позже, чем через секунду. Включается новый цикл запуска. Если горелка запускается, рабочий цикл продолжается. В противном случае происходит переход в режим безопасности.

- В случае нехватки воздуха при предварительной вентиляции или во время работы происходит переход в режим безопасности.
- В случае нехватки газа горелка не включается и/или останавливается. За этим следует период ожидания в 2 минуты. Затем производится новая попытка запуска. Если давления газа по-прежнему нет, следует еще один период ожидания в 2 минуты. При этом период ожидания может быть отменен только отключением горелки от напряжения сети. Время ожидания: 3 x 2 минуты, затем 1 час.

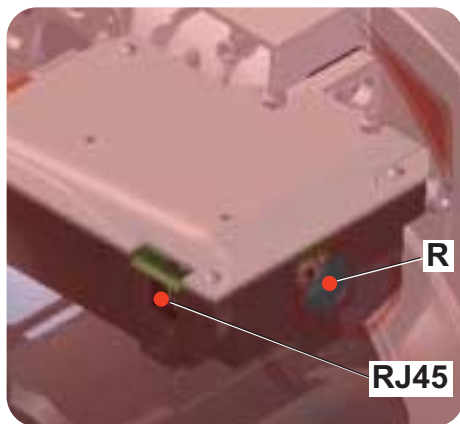
### Остановка регулировки

- Реле регулятора температуры прерывает запрос на нагрев.
- Газовые клапаны закрываются.
- Пламя гаснет.
- Электродвигатель вентилятора останавливается.
- Горелка готова к работе.





## Функция - Блок управления и безопасности E-BCU GAS



Блок управления и Газ безопасности E-BCU GAS отслеживает и управляет работой горелки с воздушным наддувом. Благодаря тому, что ход программ управляется микропроцессором, обеспечивается стабильная работа на длительном промежутке времени, независимо от изменения напряжения электросети и окружающей температуры. Блок защищен от падения электрического напряжения. Если напряжение сети падает ниже минимального значения (170 В), блок управления выключается и подает

аварийный сигнал. Как только напряжение превысит 178 В, блок управления включается автоматически.

### Блокировка и разблокировка

Блок может быть заблокирован (переход в режим безопасности) кнопкой разблокировки R и разблокирован (сброс неисправности) при условии, что блок находится под напряжением.

**R** - Кнопка сброса + светодиод сигнализации блокирования.

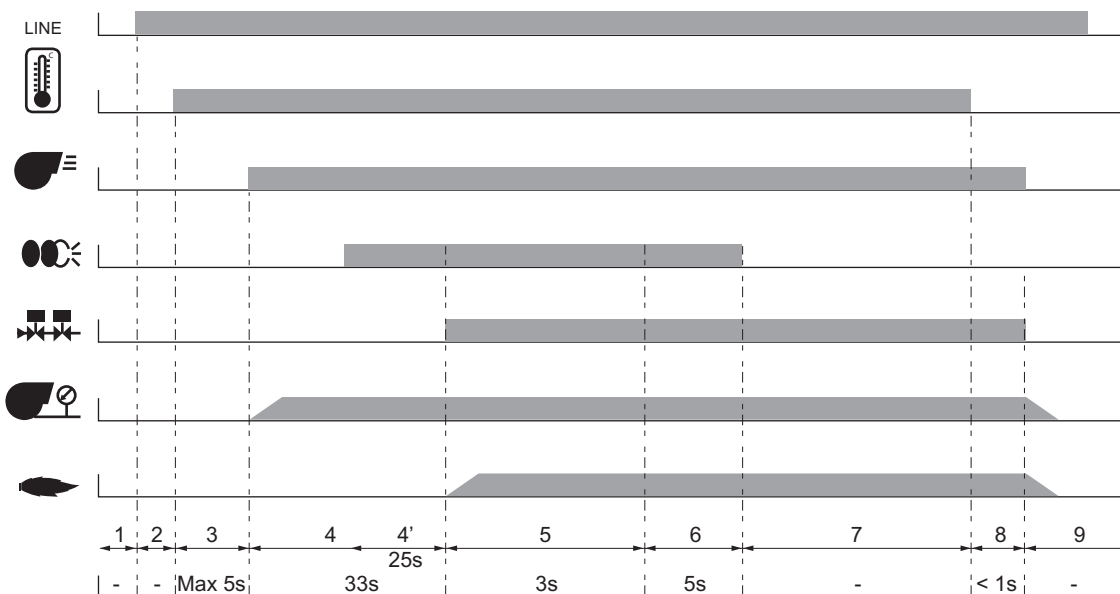
**RJ45** - Разъём для подключения ПК (диагностика, поставляемая отдельно).



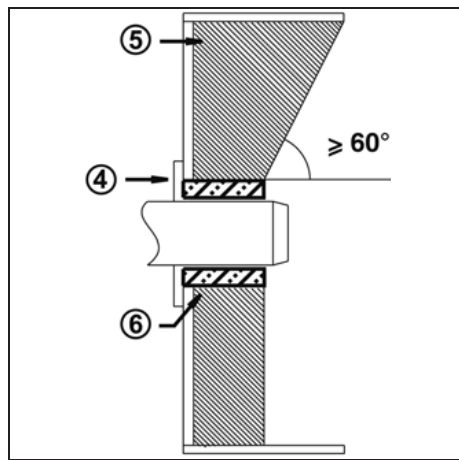
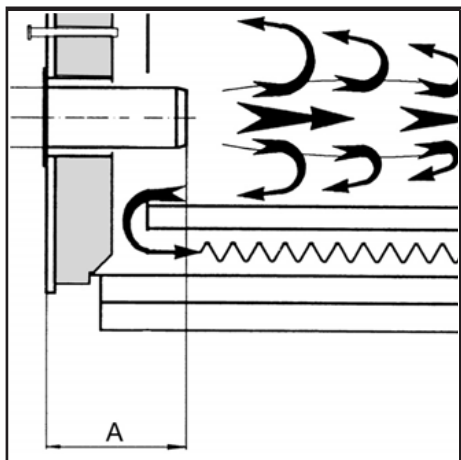
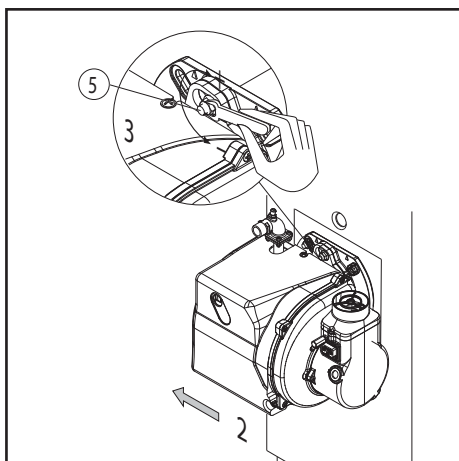
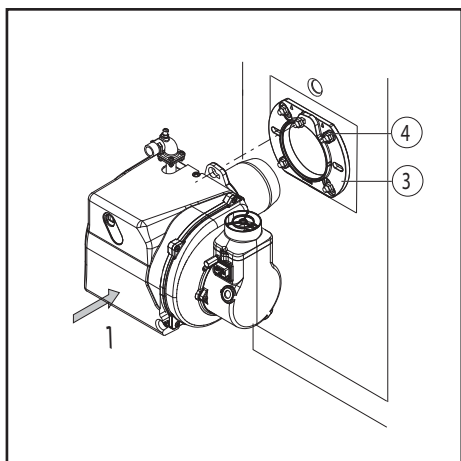
Комплект E-BCU диагностических инструментов (не входит в комплект)

**!** Перед тем как осуществить монтаж или демонтаж блока отключите устройство от электропитания. Открывать блок или производить ремонтные работы запрещено!

Символ	Описание
	Ожидание запроса на нагрев котла
	Нефть клапан
	Ожидание включения реле давления воздуха при пуске
	Питание электродвигателя
	Подача напряжения на устройство розжига
	Пламя присутствует



## Установка - Установка горелки

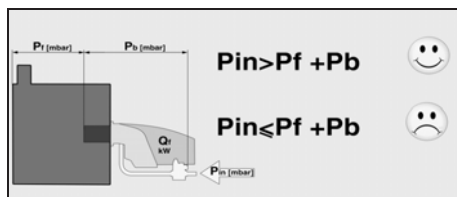
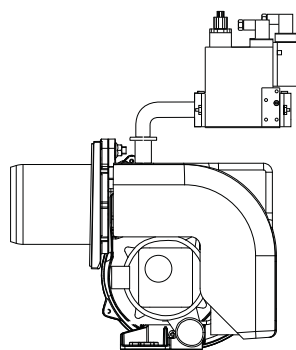


### Линия газоснабжения

При установке линии газоснабжения и газовой рампы необходимо соблюдать предписания нормы EN676. Необходимо установить обязательный комплект EN676. Дополнительные принадлежности должны быть установлены установщиком для соблюдения любых местных норм.

### Предписания общего порядка для подключения газа

- Подключение газовой рампы к сетевому газу должно исключительно выполняться уполномоченным квалифицированным специалистом.
- Сечение газовых труб должно быть подготовлено таким образом, чтобы давление питания газа не могло опуститься ниже предписанного значения.
- Клапан ручной остановки (не поставляется) должен быть установлен в верхней части газовой рампы.



### УСЛОВНЫЕ ОБОЗНАЧЕНИЯ

$P_f$ : Противодавление в топке.  
 $P_b$ : Газовое давление горелки (головка сгорания + газовая рампа).  
 $P_{in}$ : Минимальное давление питания.

### Монтаж горелки

Горелка крепится к фланцу подключения и, следовательно, к котлу, таким образом, камера сгорания будет закрыта герметически.

### Монтаж:

- Закрепить фланец креплением 3 к котлу винтами 4.
- Слегка повернуть горелку, Ввести её во фланец и закрепить винтом 5.

### Демонтаж:

- Ослабить винт 5.
- Повернуть горелку и вынуть её из фланца.

### Глубина установки сопла горелки и огнеупорное уплотнение

Для котлов без охлаждения передней стенки и при отсутствии других указаний со стороны производителя котла, необходимо выполнить огнеупорную вставку или теплоизоляцию (5), как показано на рисунке слева. Огнеупорная вставка не должна заходить за передний край сопла горелки, а угол ее конического скоса не должен превышать  $60^\circ$ . Воздушный промежуток (6) должен быть заполнен эластичным и невоспламеняемым теплоизоляционным материалом.

### Система отвода продуктов горения

Для предотвращения неприятного шума не рекомендуется применять для соединения котла с дымоходом соединительные детали с проходным каналом, изогнутым под прямым углом.

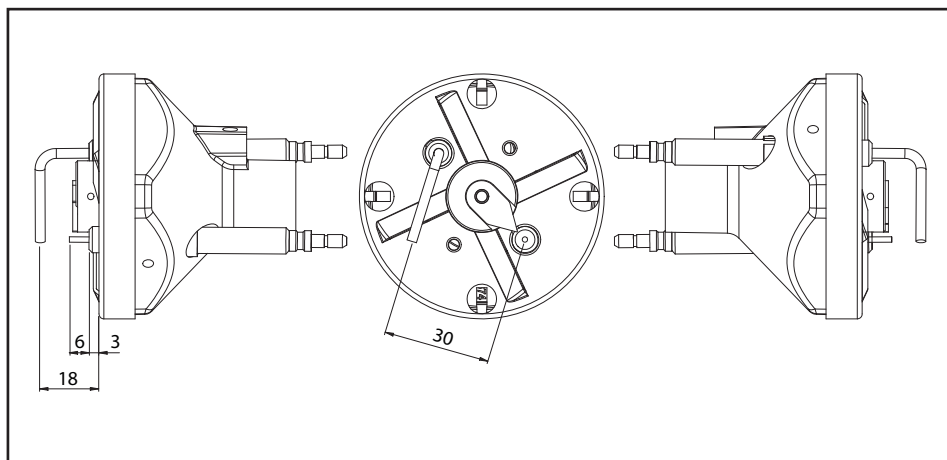
### ПРЕОБРАЗОВАНИЕ В СУГ

KITLPG-MAXGAS...

Для работы с СУГ необходимо Приобрести комплект СУГ (Kit GPL) и установить его при соблюдении прилагаемых инструкций.



## Установка - Подключение к электросети - Необходимые проверки перед пуском в эксплуатацию



### Положение электродов

Обязательно проверьте положение электродов после их замены или установки комплекта KIT GPL. Неправильное положение электродов может затруднить розжиг горелки или выявление.

### Электроподключение

Электропроводка и все работы по подключению к сети должны выполняться только квалифицированным электриком. Должны выполняться действующие предписания и директивы. Установка электропитания должна быть оснащена дифференциальным выключателем типа А.

**Строго соблюдать действующие предписания и директивы, помимо электросхемы, поставляемой с горелкой!**

- Убедитесь, что напряжение электропитания соответствует указанному рабочему напряжению в электросхеме и табличке с данными. Защита горелки : 5 А

### Подключение разъемами

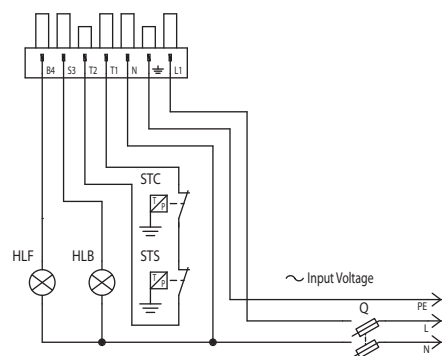
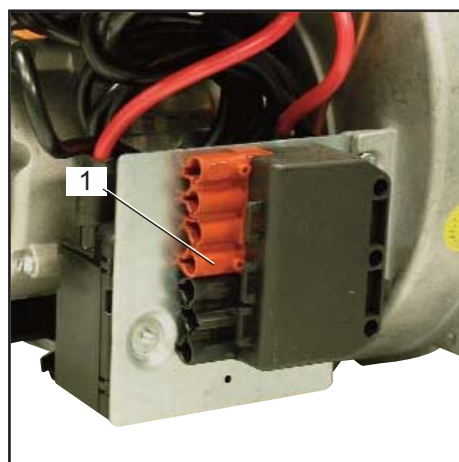
Горелка должна быть изолирована от сети с помощью всеполюсного размыкателя, соответствующего действующим стандартам. Горелка и теплогенератор (котел) соединяются между собой посредством одного семиконтактного (fig.1).

### Подключение газовой рампы

Выполните подключение газовой рампы при помощи розеток, установленных на горелке.

### Измерение силы тока ионизации

Для измерения тока ионизации отсоедините разъём В10 и подсоедините мультиметр, оснащённый диапазоном измерения 0-100 µА. Ток ионизации должен превышать 1,5 µА. Можно контролировать интенсивность тока даже при помощи диагностического инструмента E-BCU.

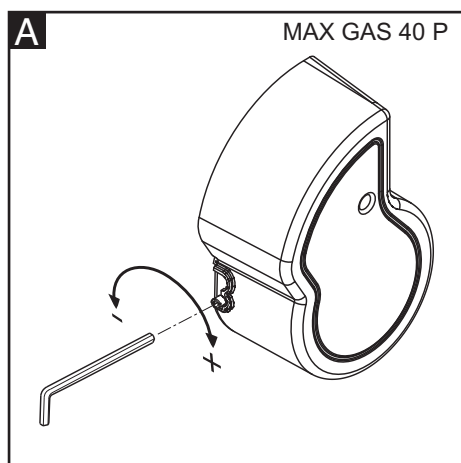


### Проверки перед пуском в эксплуатацию

Перед первым запуском следует проверить следующее:

- Убедитесь, что горелка установлена согласно настоящей инструкции.
- Предварительная регулировка горелки выполнена правильно, согласно указанным в таблице регулировок значениям.
- Настройка органов горения
- Теплогенератор должен быть готов к работе согласно инструкции по его использованию.
- Все электрические соединения выполнены правильно.
- Теплогенератор и система отопления заполнены достаточным количеством воды. Циркуляционные насосы действуют.
- Регуляторы температуры и давления, устройство защиты от недостатка воды, а также другие предохранительные и защитные устройства, используемые на установке, правильно подсоединены и действуют.
- Вытяжная труба должна быть прочищена. Устройство для подачи дополнительного воздуха, если оно установлено, в рабочем состоянии.
- Гарантирована подача свежего воздуха.
- Получен запрос на тепло.
- Должно быть доступным достаточное давление газа.
- Топливопроводы установлены согласно техническим нормам, прочищены и проверена их герметичность.
- Согласно существующим нормам на вытяжной трубе должна находиться точка измерения. До этого места труба должна быть герметичной для того, чтобы подсос наружного воздуха не повлиял на результаты измерений.

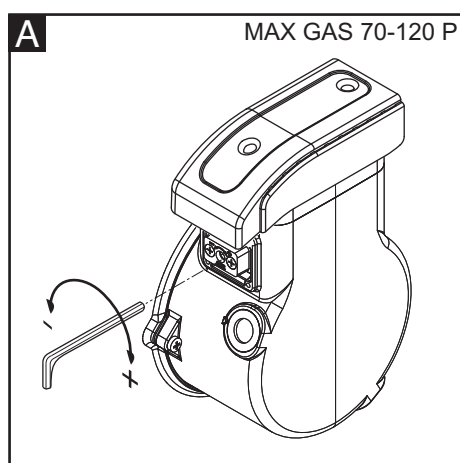
## Ввод в эксплуатацию - Регулировка горелки



### Регулировка воздуха (А).

Повернуть винт, как на рисунке:

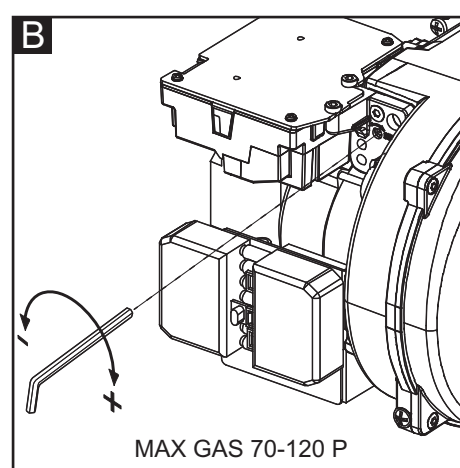
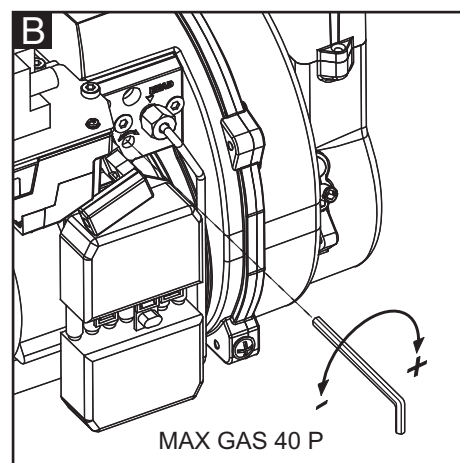
- поворачивая по часовой стрелке, расход увеличится.
- поворачивая против часовой стрелки, расход уменьшается.



### Регулировка огневой головки (В).

Повернуть винт, как на рисунке:

- повернуть гаечным ключом до достижения желаемой величины (показатель от 0 до 4,5).



**!** **Опасность вспышки!** Постоянно контролируйте содержание CO, CO<sub>2</sub> и дымовые выбросы в процессе регулировки. В случае образования CO оптимизируйте значения горения. Содержание CO не должно превышать 50 пропромилле.

### Диаграммы предварительной калибровки, приведённые в приложении.

Перед включением горелки отрегулируйте её в соответствии с величинами предварительной калибровки природного газа и СУГ. Эти величины были получены в наших испытательных лабораториях и полезны для запуска горелки, регулировка должна проверяться с помощью анализатора сгорания.

### Как читать диаграммы и регулировать горелку:

-определите требуемую мощность.

-определите противодавление в камере.  
-выберите положение головки на диаграмме и отрегулируйте, как указано на рис.В.

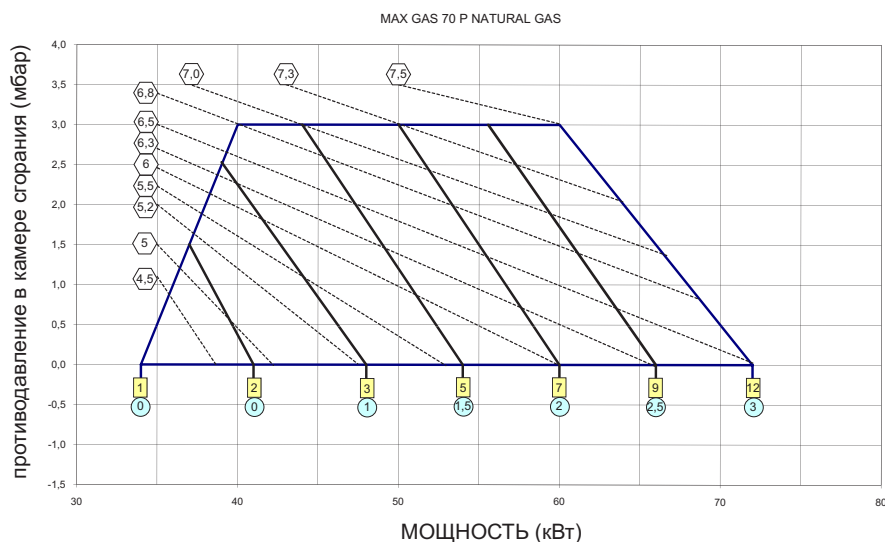
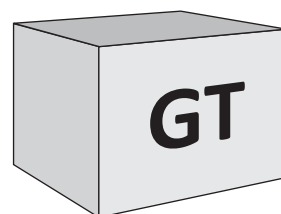
-выберите положение заслонки воздуха на диаграмме и отрегулируйте, как указано на рис.А.

### Оптимизация характеристик горения

Заводская калибровка должна быть изменена в зависимости от требуемой мощности. Диаграммы калибровки заслонки/головки сгорания найдёте в приложении.

### Регулировка газового клапана

Отрегулируйте газовые клапаны в соответствии с инструкциями Руководства по эксплуатации газовой рампы.



**Внимание! Соблюдайте минимальную необходимую температуру дымовых газов, следуя указаниям производителя котла и принимая во внимание тип вытяжных труб, чтобы избежать эффекта конденсации.**

- давление газа в головке, измеренное на кривой диаграммы (мбар)
- положение головки
- положение заслонки воздуха

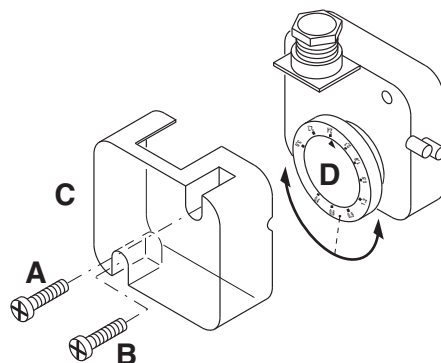
## Ввод в эксплуатацию - Регулировка реле давления воздуха и газа

### Регулировка реле давления воздуха

Реле давления воздуха контролирует давление 'вентиляции воздуха.

Отвинтить винты **A** и **B** и снять крышку **C**. После настройки приборов воздуха и газа, с работающей горелкой медленно повернуть установочное кольцо **D** по часовой стрелке до остановки блока горелки. Прочтите значение, указанное на установочном кольце, понизив его на 15%.

Установить на место крышку **C** и ввернуть винты **A** и **B**.

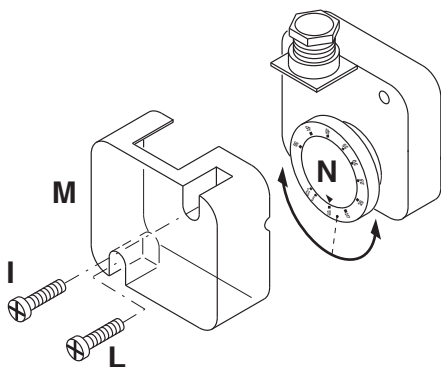


**ВНИМАНИЕ:** Реле давления позволит предотвратить, чтобы давление воздуха не опустилось ниже 85% от установленной величины, избегая таким образом превышения содержания CO в дымах 1%(10000 мг/м3).

### Регулировка реле минимального давления газа

Функция реле минимального давления газа - следить за тем, чтобы давление газа перед газовым клапаном было не ниже минимального, при котором горелка работает нормально.

Отвинтить винты **I** и **L** и снять крышку **M**. Установить регулятор **N** на значение равное 60% номинального давления газа (например, при номинальном давлении метана 20 мбар регулятор устанавливается на значение 12 мбар; для сжиженного газа с номинальным давлением 30/37 мбар регулятор устанавливается на значение 18 мбар). Установить на место крышку **M** и ввернуть винты **I** и **L**.



### Контроль функционирования

Контроль безопасности мониторинга пламени должен быть выполнен как в случае первого запуска, так и после выполнения ревизии или после длительного периода бездействия системы.

- Тест запуска с закрытым газовым краном:  
контрольный прибор должен сигнализировать функционирование по причине нехватки газа или блокироваться по окончании времени безопасности.

## Техническое - Работы по техническому обслуживанию

**Работы по техническому обслуживанию котла и горелки должны выполняться только специалистом-теплотехником. Для обеспечения регулярного обслуживания пользователю рекомендуется заключить договор на техническое обслуживание.**

### Внимание

- Перед выполнением любых работ по техническому обслуживанию и очистке отключите электропитание.
- Блокирование и компоненты головки могут быть горячими.

### Проверка температуры топочных газов

- Регулярно проверяйте температуру дымовых газов.
- Выполняйте очистку котла, если температура продуктов сгорания более чем на 30° С превышает значение температуры, измеренное при пуске горелки в эксплуатацию.
- С целью упрощения контроля установить дисплей для визуализации температуры выхлопных дымов.

### Положения техобслуживания

- После ослабления винта 5 и отсоединения горелки можно закрепить её в трёх положениях технического обслуживания.

#### Положение 1

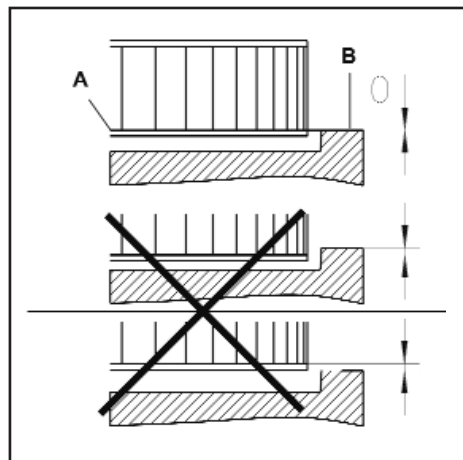
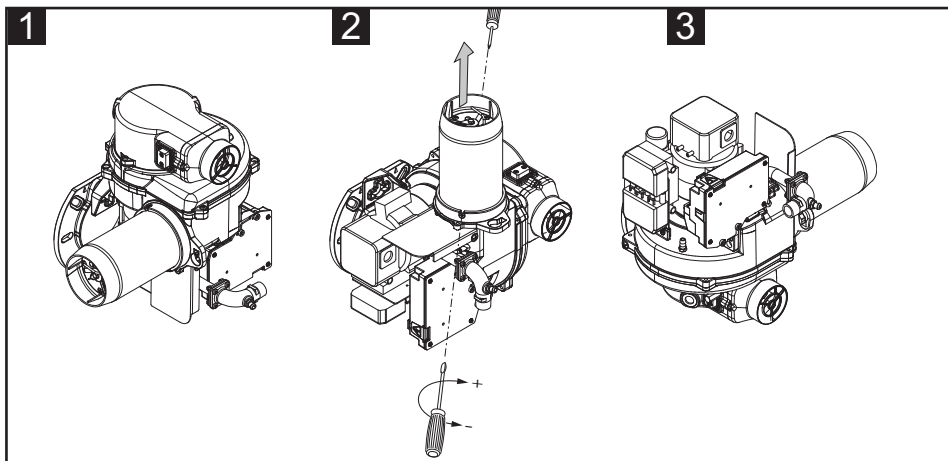
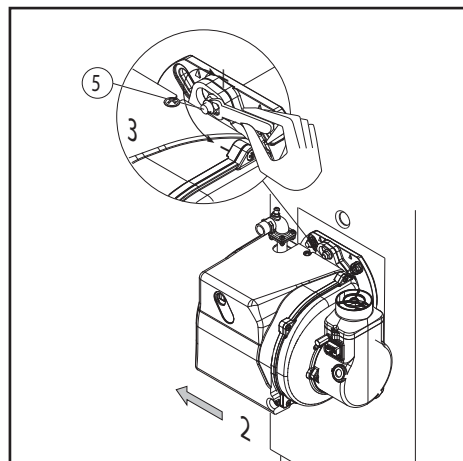
Техобслуживание линии подачи воздуха (чистка/замена крыльчатки вентилятора).

#### Положение 2

Техобслуживание головки сгорания.

#### Положение 3

Техобслуживание компонентов.



мости, заменены.

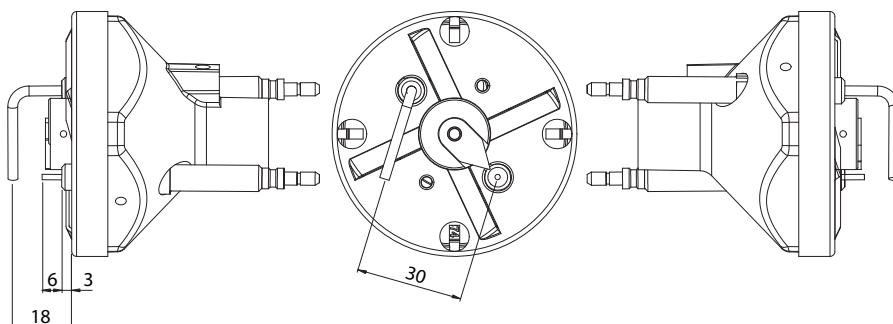
- Проверьте все электрические подключения и кабели, при необходимости замените их.
- Проверьте состояние газового фильтра, очистите или замените его.
- Проверьте рабочее колесо вентилятора и корпус и убедитесь, что они не повреждены.
- Проверьте и очистите головку горелки.
- Проверьте электроды, при необходимости отрегулируйте или замените их.
- Запустите горелку, проверьте процесс сгорания и, при необходимости, откорректируйте регулировки горелки.
- Проверьте реле давления воздуха и реле давления газа.
- Проверьте чувствительность газовой рампы к регулировке.
- Выполнить контроль функционирования.

### Агрегат вентилятора

При замене электродвигателя или рабочего колеса, сверяйтесь с приведенной напротив схемой установки. Внутренняя сторона А фланца рабочего колеса должна быть на одном уровне с панелью В. Вставьте линейку между лопатками рабочего колеса и приведите элементы А и В к одному уровню. Затянуть винт без головки с надрезом на крыльчатке вентилятора (положение техобслуживания 1).

### Положения для технического обслуживания

- Все компоненты системы подачи топлива (шланги, трубопроводы) и их соединения должны быть проверены (герметичность, износ) и, при необходи-



## Техническое - Возможные неполадки

### Причины неисправностей и способы их устранения

При отклонениях от нормы, должны быть проверены нормальные условия для работы горелки:

1. Есть электрический ток?
  2. Есть давление газа?
  3. Кран остановки подачи газа открыт?
  4. Правильно ли настроены все регулирующие и предохранительные устройства, такие как термореле котла, предохранитель от недостатка воды, электрические концевые выключатели?
- В случае, если после контролей в названных точках аномалия сохранится, пользоваться следующей таблицей.

Ни один из существенных компонентов системы безопасности не должен ремонтироваться; эти компоненты должны заменяться компонентами с таким же обозначением.

### Используйте только оригинальные запасные части.

#### NB: После проведения любых работ:

- выполните проверку параметров горения в реальных условиях эксплуатации (дверцы закрыты, крышкана месте и т. д.).
- отрегулировать параметры сгорания в технических документах станции.

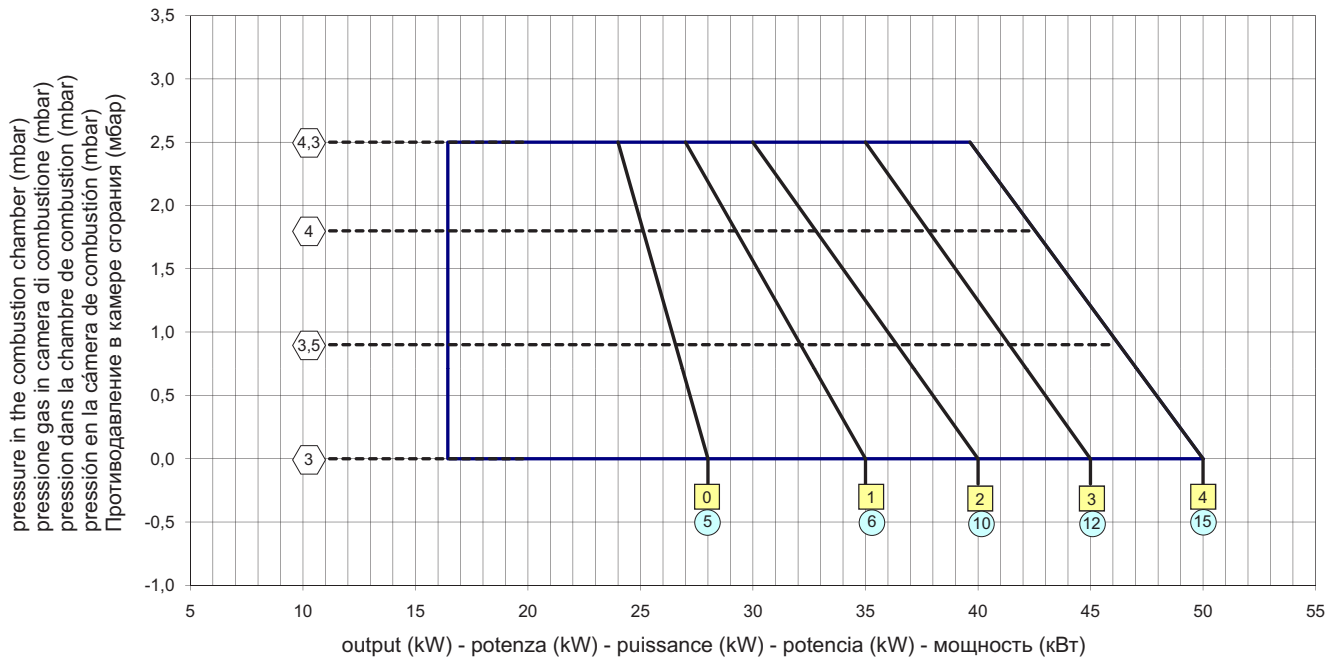
**E-VCU дисплей: интерфейс должен быть использован персоналом, выполняющим техническое обслуживание с целью считывать аномалии горелки.**



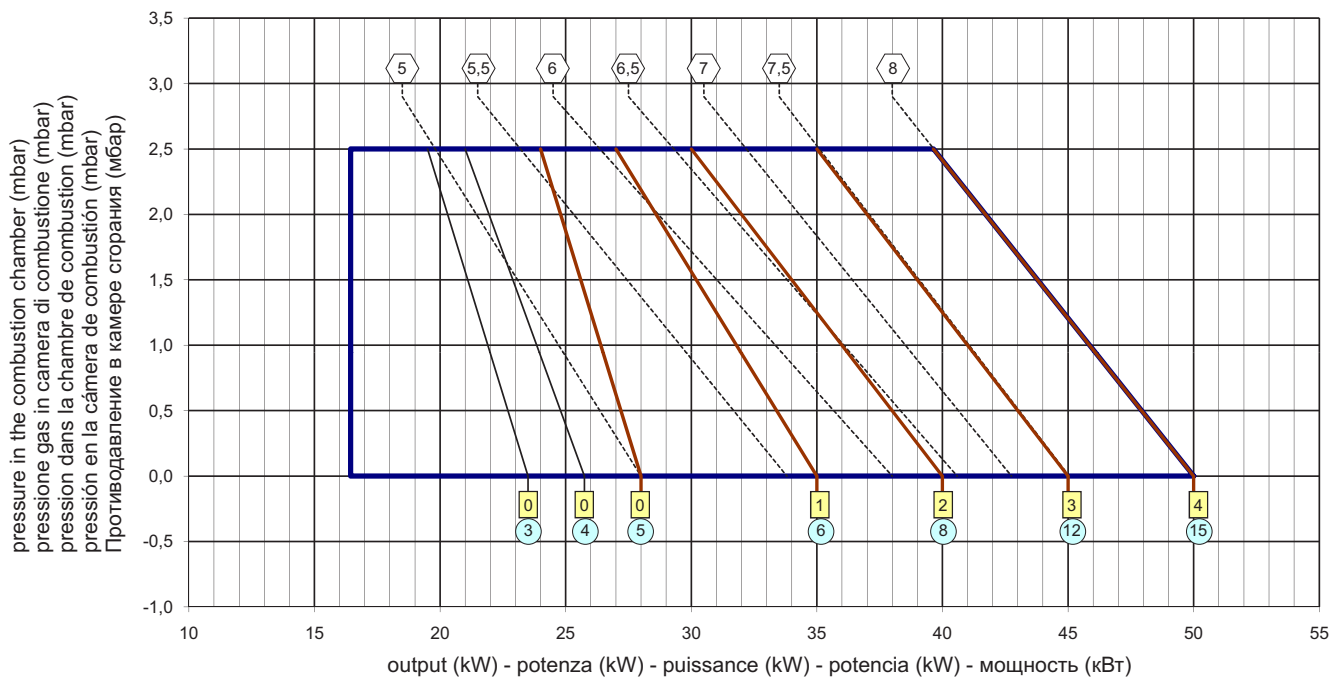
Символ	Состояния	Причины	Способ устранения
	Нет запроса на тепло	Термостаты неисправны или не настроены	Отрегулируйте или замените термостаты
	После выключения посредством термостата горелка не запускается. Нет сигнала ошибки на блоке управления и безопасности.	Понижение напряжения электропитания или его отсутствие. Неисправность блока.	Проверьте причину понижения напряжения или его отсутствия. Замените блок.
	При подаче напряжения горелка запускается на очень короткое время и выключается, включение индикатора блокирования	Блок управления самозаблокировался.	Разблокируйте блок.
	Горелка не запускается.	Реле давления воздуха: не находится в положении выключения. Неправильная настройка.	Осуществите новую регулировку реле давления. Замените реле давления.
	Горелка не запускается. Давление газа в норме.	Недостаточное давление газа. Реле давления газа не настроено или неисправно.	Проверьте газопроводы. Очистите фильтр. Проверьте реле давления газа или замените компактный газовый блок.
	Вентилятор горелки запускается. Горелка не запускается.	Реле давления воздуха: контакт не замыкается.	Проверьте датчик давления (попадание инородных тел) и проверьте электропроводку.
	Вентилятор горелки запускается. Горелка не запускается.	Паразитное пламя во время предварительной вентиляции или предварительного розжига.	Проверьте клапан. Проверьте систему отслеживания пламени.
	Горелка запускается, розжиг запускается, затем происходит выключение.	<ul style="list-style-type: none"> <li>- Отсутствие пламени к концу времени безопасности.</li> <li>- Расход газа плохо отрегулирован.</li> <li>- Неисправность в цепи контроля пламени.</li> <li>- Нет запальной искры</li> <li>- Короткое замыкание одного или нескольких электродов</li> <li>- Кабель или кабели розжига повреждены или неисправны</li> <li>- Неисправно устройство розжига</li> <li>- Блок управления и безопасности</li> <li>- Электроклапаны не открываются</li> <li>- Блокировка клапанов</li> </ul>	<ul style="list-style-type: none"> <li>- Отрегулируйте расход газа</li> <li>- Проверьте состояние и положение датчика ионизации относительно "массы".</li> <li>- Проверьте состояние и соединения ионизационной цепи (кабель и шунт измерения).</li> <li>- Отрегулируйте электрод или электроды, очистите или замените их.</li> <li>- Подключите или замените кабель или кабели.</li> <li>- Замените устройство розжига. Замените блок.</li> <li>- Проверьте электропроводку блока и внешних компонентов</li> <li>- Замените компактный газовый блок</li> <li>- Замените клапаны</li> </ul>
	Неисправность системы контроля пламени во время работы.	<ul style="list-style-type: none"> <li>- Реле давления воздуха: контакт размыкается при запуске или во время работы.</li> <li>- Неисправность системы контроля пламени во время работы.</li> </ul>	Отрегулируйте или замените реле давления. Проверьте цепь ионизационного зонда. Проверьте или замените блок управления и безопасности.



Overview - Pre-setting diagrams / Panoramica - Diagrammi di pre-taratura / Vue d'ensemble - Diagrammes de pré-configuration / Descripción - Diagramas de la pre-configuration / Обзор - Диаграммы пре-установки


MAX GAS 40 P NATURAL GAS



MAX GAS 40 P GPL (con diaframma Ø6 mm)

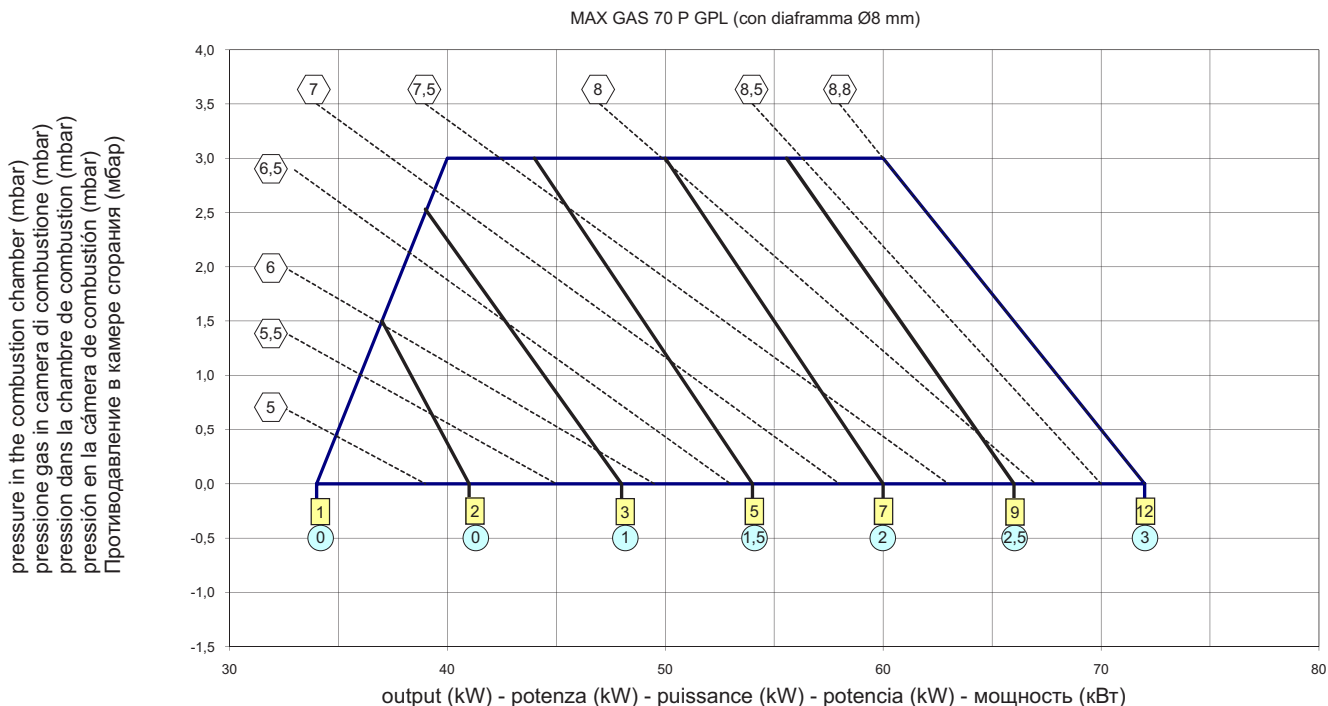
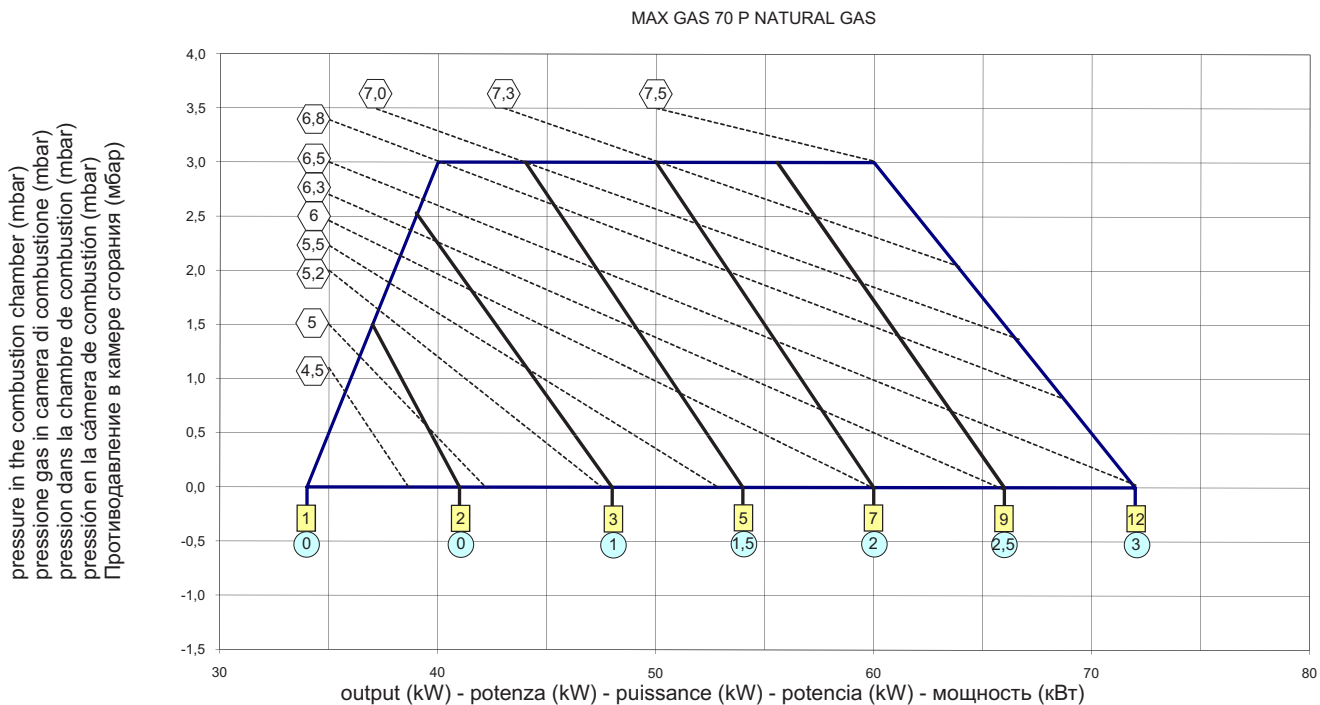


- 
 head gas pressure (on elbow) (mbar)  
 pressione gas in testa misurata sulla curva (mbar)  
 pression gaz en tête mesurée sur la courbe (mbar)  
 presión de gas en la cabeza medida a la recta (mbar)  
 давление газа в головке, измеренное на кривой диаграммы (мбар)
- 
 head position  
 posizione testa  
 position tête  
 posición de la cabeza  
 положение головки

- 
 air damper position  
 posizione serranda aria  
 position du registre d'air  
 posición de la compuerta de aire  
 положение заслонки воздуха



**Overview - Pre-setting diagrams / Panoramica - Diagrammi di pre-taratura / Vue d'ensemble - Diagrammes de pré-configuration / Descripción - Diagramas de la pre-configuration / Обзор - Диаграммы пре-установки**



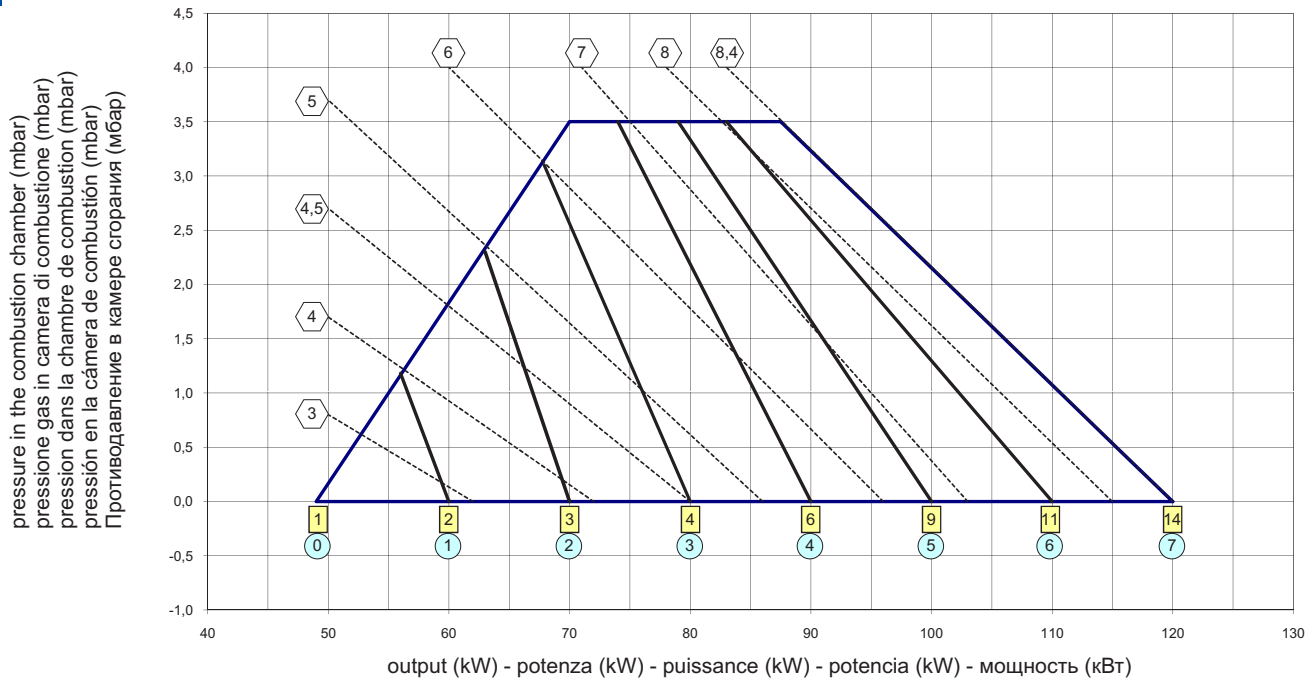
head gas pressure (on elbow) (mbar)  
 pressione gas in testa misurata sulla curva (mbar)  
 pression gaz en tête mesurée sur la courbe (mbar)  
 presión de gas en la cabeza medida a la recta (mbar)  
 давление газа в головке, измеренное на кривой диаграммы (мбар)

head position  
 posizione testa  
 position tête  
 posición de la cabeza  
 положение головки

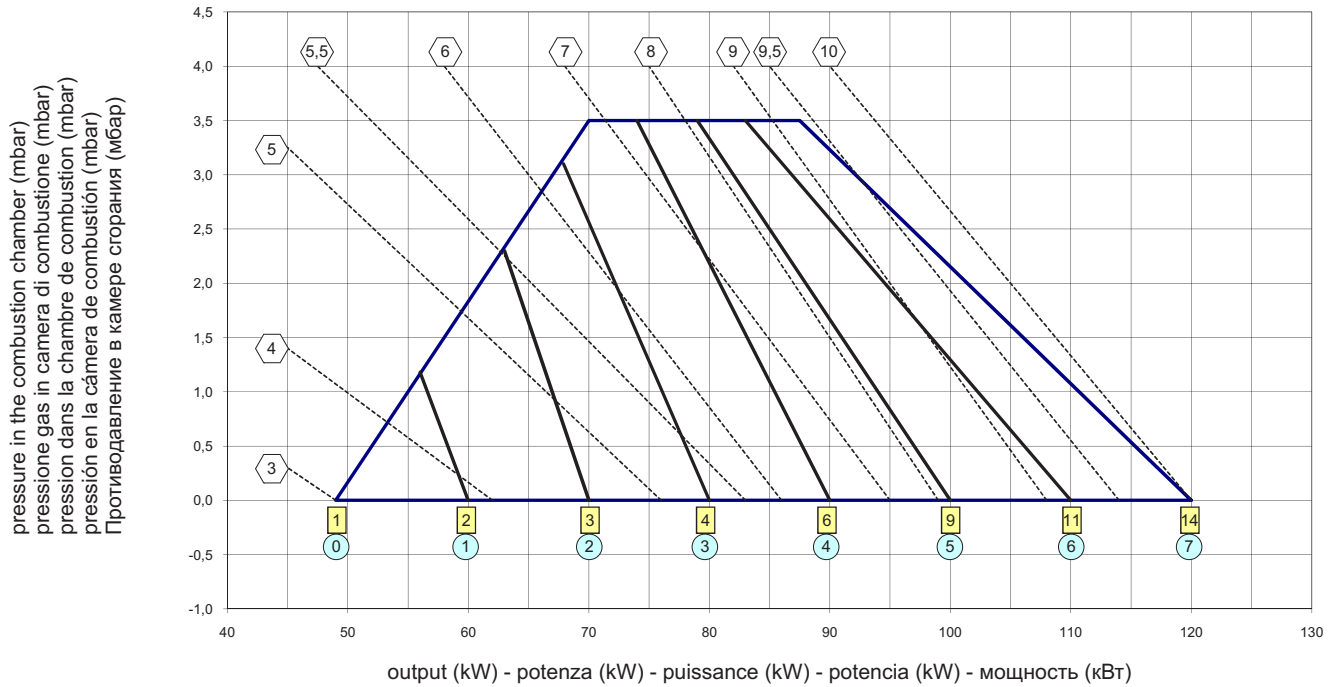
air damper position  
 posizione serranda aria  
 position du registre d'air  
 posición de la compuerta de aire  
 положение заслонки воздуха



**Overview - Pre-setting diagrams / Panoramica - Diagrammi di pre-taratura / Vue d'ensemble - Diagrammes de pré-configuration / Descripción - Diagramas de la pre-configuration / Обзор - Диаграммы пре-установки**


MAX GAS 120 P NATURAL GAS



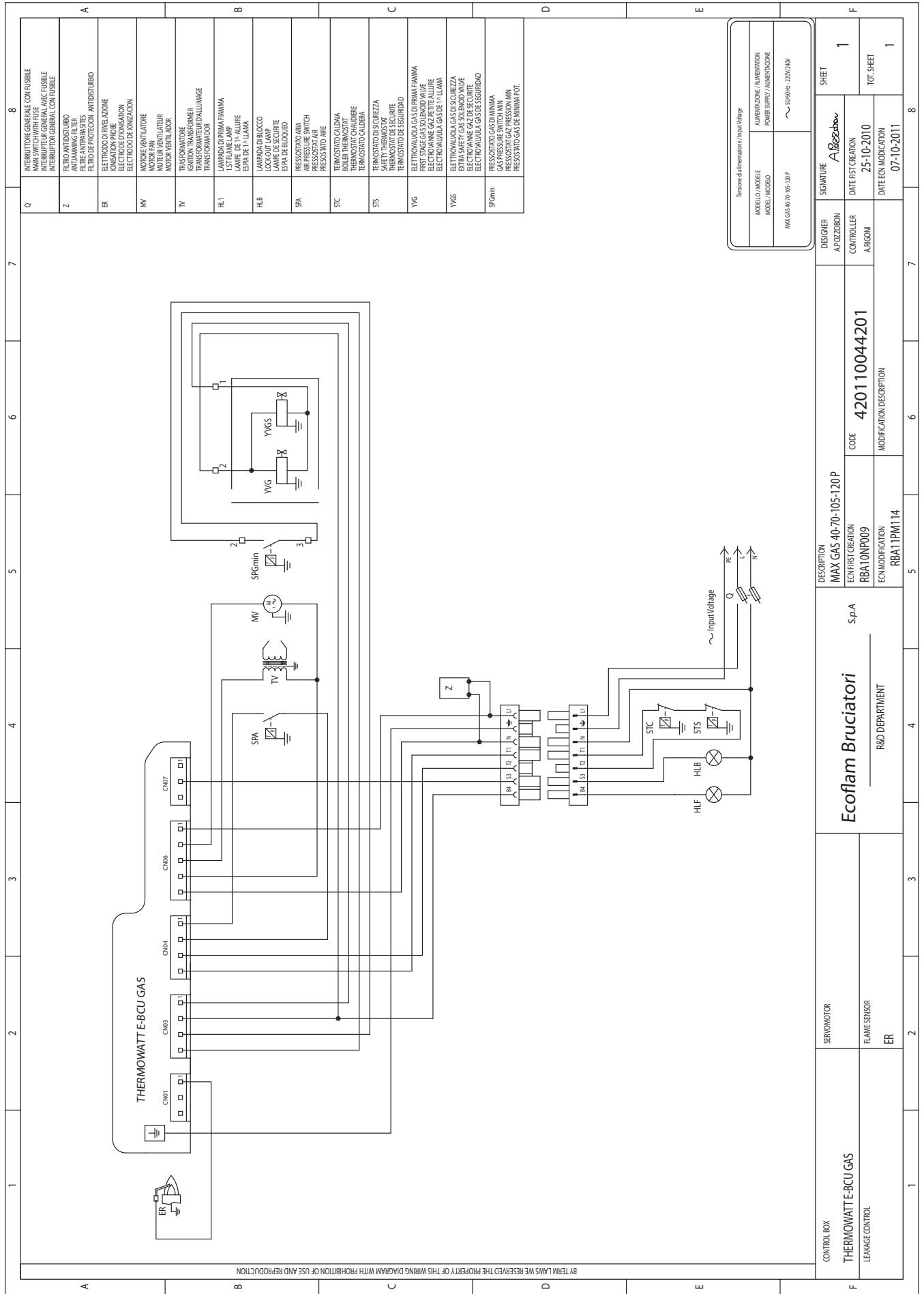
MAX GAS 120 P GPL (con diaframma Ø8,5 mm)



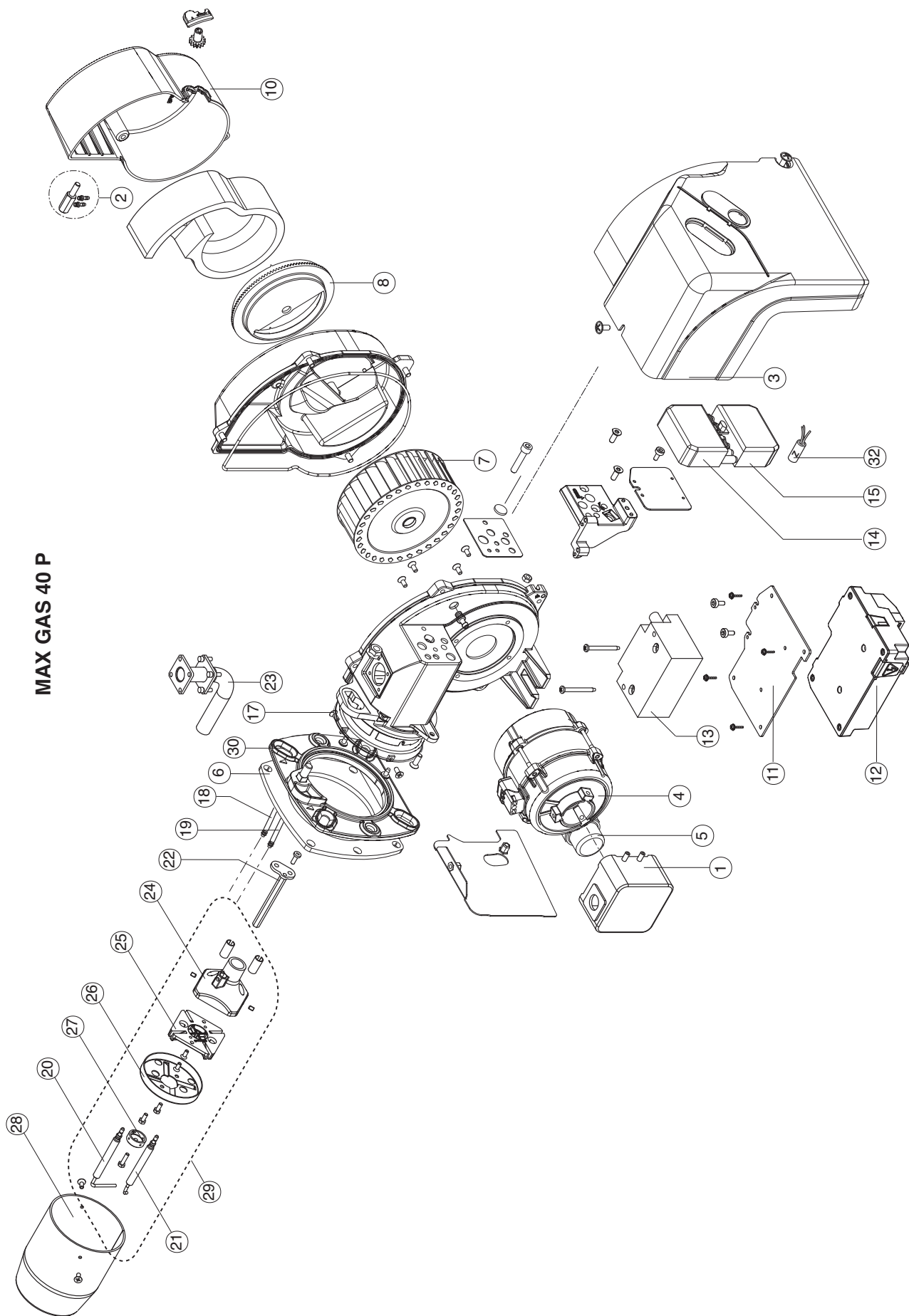
- 
 head gas pressure (on elbow) (mbar)  
 pressione gas in testa misurata sulla curva (mbar)  
 pression gaz en tête mesurée sur la courbe (mbar)  
 presión de gas en la cabeza medida a la recta (mbar)  
 давление газа в головке, измеренное на кривой диаграммы (мбар)
- 
 head position  
 posizione testa  
 position tête  
 posición de la cabeza  
 положение головки

- 
 air damper position  
 posizione serranda aria  
 position du registre d'air  
 posición de la compuerta de aire  
 положение заслонки воздуха

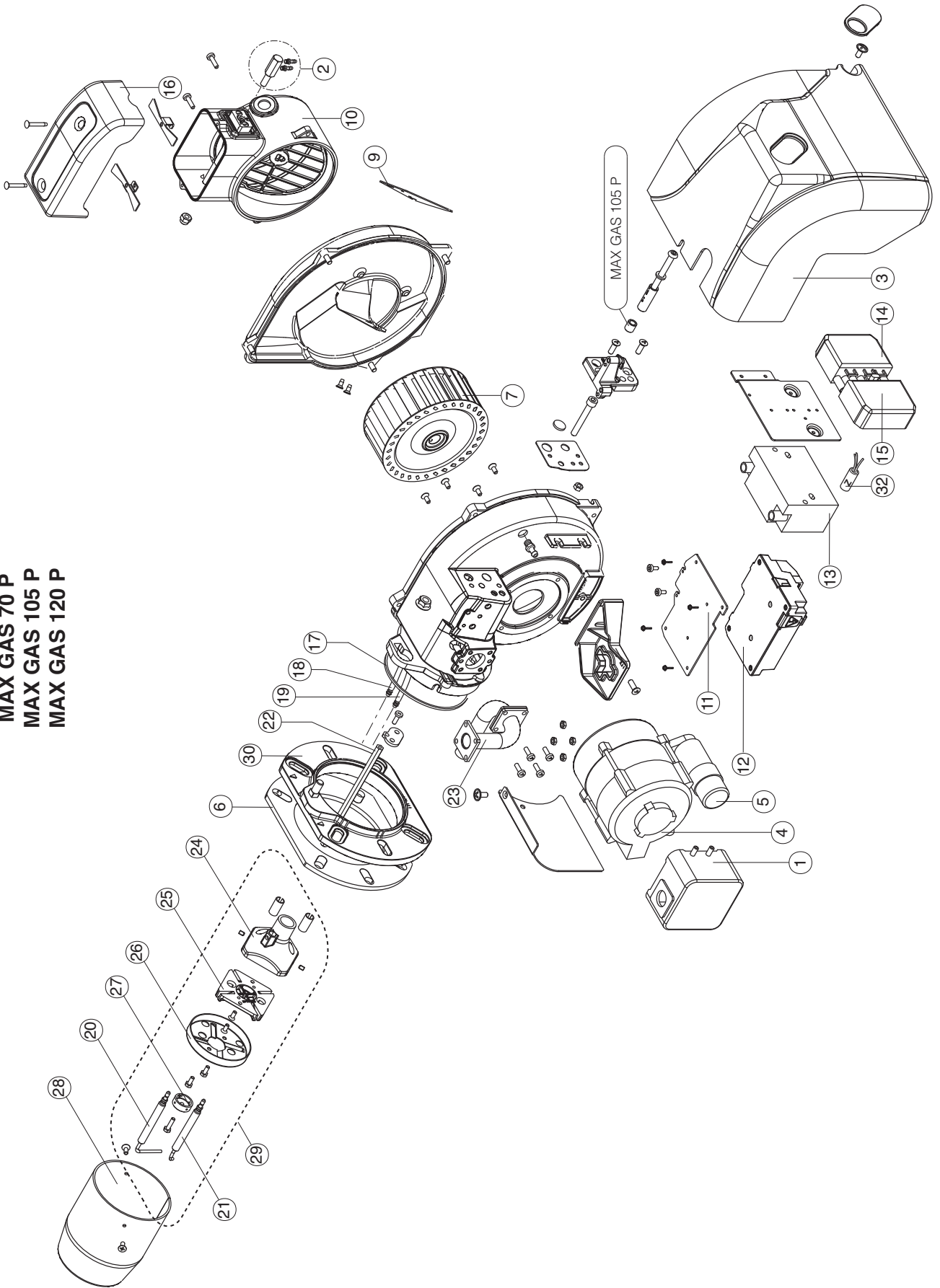
Overview - Electric diagrams / Panoramica - Schemi elettrici / Vue d'ensemble - Schémas électrique / Descripción - Esquemas eléctrico /  
 Обзор - Электрические схемы



Overview - Spare parts list / Panoramica - Parti di ricambio / Vue d'ensemble - Pièces de rechange / Descripción - Piezas de recambio /  
Обзор - Запчасти



MAX GAS 70 P  
 MAX GAS 105 P  
 MAX GAS 120 P



# Overview - Spare parts list / Panoramica - Parti di ricambio / Vue d'ensemble - Pièces de rechange / Descripción - Piezas de recambio / Обзор - Запчасти

		MAX GAS 40 P		MAX GAS 70P			
N°	DESCRIPTION	DESCRIZIONE	DESIGNATION	DESCRIPCION	НАИМЕНОВАНИЕ	code	code
1	AIR PRESSURE SWITCH	PRESSOSTATO ARIA	PRESSOSTAT AIR	PRESSOSTATO AIRE	РЕЛЕ ДАВЛЕНИЯ ВОЗДУХА	65323047	65323047
2	AIR INTAKE SET	GRUPPO PRESE ARIA	SET DE PRISES D'AIR	COJUNTO TOMAS DE AIRE	ВОЗДУХОЗАБОР В СБОРЕ	65321974+65321334	65321974+65321334
3	BURNER COVER	COFANO	COUVERCLE DU BRULEUR	TAPA DE QUEMADOR	КОЖУХ	65325156	65325256
4	MOTOR	MOTORE	MOTEUR	MOTOR	ДВИГАТЕЛЬ	65325328	65325327
5	CAPACITOR	CONDENSATORE	CONDENSATEUR	CONDENSADOR	КОНДЕНСАТОР	65321857	65321857
						65325038	65325038
6	GASKET	GUARNIZIONE	JOINT	JUNTA	УПЛОТНИТЕЛЬНАЯ ПРОКЛАДКА	65321109	65321109
7	FAN	VENTOLA	VENTILATEUR	VENTILADOR	РАБОЧЕЕ КОЛЕСО ВЕНТИЛЯТОРА	65323826	-
						120 x 50	65321770
8	AIR DAMPER	SERRANDA	REGLAGE D'AIR	REGISTRO AIRE	ВОЗДУШНАЯ ЗАСЛОНКА	65320523	-
9	FAN SCOOP	SURPRESSORE	SURPRESSEUR	SOLAPA	ДЕФЛЕКТОР	65320621	65320621
10	AIR INTAKE	CUFFIA	VOLET D'AIR	TOMA DE AIRE	ВОЗДУХОЗАБОР	65320522	65320130
11	SUPPORT	SUPPORTO	SUPPORT	SOPORTE	ПОДДЕРЖКА	65325251	65325251
12	CONTROL BOX	APPARECCHIATURA DI CONTROLLO	COFFRET DE SECURITE	EQUIPO CONTROL LLAMA	КОНТРОЛЬНАЯ АППАРАТУРА	65325258	65325258
13	IGNITION TRANSFORMER	TRASFORMATORE	TRANSFORMATEUR D'ALLUMAGE	TRANSFORMADOR	ТРАНСФОРМАТОР	65323258	65323258
14	SOCKET WIELAND	PRESA WIELAND	FICHE FEMELLE WIELAND	TOMA WIELAND	ВИЛКА WIELAND	65322070	65322070
15	PLUG WIELAND	SPINA WIELAND	FICHE MALE WIELAND	ESPIA WIELAND	РАЗЪЕМ WIELAND	65322069	65322069
16	CARTER	CARTER	CARTER	CARTER	КАРТЕР	65320518	65320518
17	ORING	ORING	ORING	ORING	КОЛЬЦЕОБРАЗНАЯ УПЛОТНИТЕЛЬНАЯ ПРОКЛАДКА	65321066	65321061
18	IONIZATION CABLE	CAVO DI RIVELAZIONE	CABLE D'IONISATION	CABLE DE IONIZACION	ПРОВОД ОБНАРУЖЕНИЯ ПЛАМЕНИ	65325259	65325260
19	IGNITION CABLE	CAVO DI ACCENSIONE	CABLE D'ALLUMAGE	CABLE DE ENCENDIDO	ПРОВОД РОЗЖИГА	65325262	65325261
						65325252	65325252
						65325264	65325264
20	IONIZATION PROBE	ELETTRODO DI RIVELAZIONE	SONDE D'IONISATION	ELECTRODO DE IONIZACION	ЭЛЕКТРОД ОБНАРУЖЕНИЯ ПЛАМЕНИ	65320905	65320905
21	IGNITION ELECTRODE	ELETTRODO DI ACCENSIONE	ELECTRODE D'ALLUMAGE	ELECTRODO DE ENCENDIDO	ЭЛЕКТРОД РОЗЖИГА	65325241	65325241
22	ROD	ASTINA REGOLAZIONE TESTA	SUPPORT	SOPORTE CABEZA DE COMBUSTION	РЕГУЛИРОВОЧНЫЙ ШТОК ОГНЕВОЙ ГОЛОВКИ	65320166	65320162
23	SUPPORT PIPE	TUBO SUPPORTO TESTA	TUYATERIE	TUBO	КРЕПЕЖНАЯ ТРУБКА ОГНЕВОЙ ГОЛОВКИ	65320167	65320163
						65321532	65321528
						65321533	65321529
24	FIRING HEAD	TESTA DI COMBUSTIONE	TETE DE COMBUSTION	CABEZA DE COMBUSTION	ОГНЕВАЯ ГОЛОВКА	65321568	65321568
25	HEAD CAP	TAPPO TESTA	CALOTTE TETE	TAPA CABEZA DE COMBUSTION	ЗАГЛУШКА ОГНЕВОЙ ГОЛОВКИ	65321569	65321569
26	DIFFUSER	DIFFUSORE	DIFFUSEUR	DIFUSOR	РАССЕКТЕЛЬ	65320761	65320761
27	NOZZLE	NASELLO	MENTONNET	TUBO ANTERIOR	ПЕРЕДНЯЯ ВСТАВКА	65325238	65325238
						65325239	65325239
28	BLAST TUBE	BOCCAGLIO	GUEULARD	TUBO LLAMA	СТАКАН	65320315	65320311
29	INNER ASSEMBLY	GRUPPO TESTA	GRUPE TETE DE COMBUSTION	GRUPO CABEZA DE COMBUSTION	ОГНЕВАЯ ГОЛОВКА В СБОРЕ	65325272	65325272
						65324794	65324794
30	FLANGE	FLANGIA	BRIDE	BRIDA	ФЛАНЦ	65320973	65320972
31	NEEDLE SPARK	AGO SCINTILLA	AIGUILLE SCINTILLE	CHISPA DE LA AGUA	ИСКРИЛГЫ	65325240	65325240
32	ANTIJAMMING FILTER	FILTRO ANTIDISTURBO	FILTRE ANTIPARASITES	FILTRO ANTITRASTORNO	ФИЛЬТР ПОДАВЛЕНИЯ ПОМЕХ	65323169	65323169

TC = Testa corta / Cabeza corta / Короткая огневая головка TL = Testa lunga / Long Head / Tete longue / Cabeza larga / Длинная огневая головка

# Overview - Spare parts list / Panoramica - Parti di ricambio / Vue d'ensemble - Pièces de rechange / Descripción - Piezas de recambio / Обзор - Запчасти

N°	DESCRIPTION	DESCRIZIONE	DESIGNATION	DESCRIPCION	НАИМЕНОВАНИЕ	MAX GAS 105P	MAX GAS 120P
						code	code
1	AIR PRESSURE SWITCH	PRESSOSTATO ARIA	PRESSOSTAT AIR	PRESOSTATO AIRE	РЕЛЕ ДАВЛЕНИЯ ВОЗДУХА	65323047	65323047
2	AIR INTAKE SET	GRUPPO PRESE ARIA	SET DE PRISES D'AIR	COJUNTO TOMAS DE AIRE	ВОЗДУХОЗАБОР В СБОРЕ	65321974+65321334	65321974+65321334
3	BURNER COVER	COFANO	COUVERCLE DU BRULEUR	TAPA DE QUEMADOR	КОЖХ	65325256	65325256
4	MOTOR	MOTORE	MOTEUR	MOTOR	ДВИГАТЕЛЬ	65325327	65325327
5	CAPACITOR	CONDENSATORE	CONDENSATEUR	CONDENSADOR	КОНДЕНСАТОР	65321857	65321857
						65325038	65325038
6	GASKET	GUARNIZIONE	JOINT	JUNTA	УПЛОТНИТЕЛЬНАЯ ПРОКЛАДКА	65321109	65321109
7	FAN	VENTOLA	VENTILATEUR	VENTILADOR	РАБОЧЕЕ КОЛЕСО ВЕНТИЛЯТОРА	65321770	65321770
8	AIR DAMPER	SERRANDA	REGLAGE D'AIR	REGISTRO AIRE	ВОЗДУШНАЯ ЗАСЛОНКА	-	-
9	FAN SCOOP	SURPRESSORE	SURPRESSEUR	SOLAPA	ДЕФЛЕКТОР	65320621	65320621
10	AIR INTAKE	CUFFIA	VOLET D'AIR	TOMA DE AIRE	ВОЗДУХОЗАБОР	65320130	65320130
11	SUPPORT	SUPPORTO	SUPPORT	SOPORTE	ПОДДЕРЖКА	65325251	65325251
12	CONTROL BOX	APPARECCHIATURA DI CONTROLLO	COFFRET DE SECURITE	EQUIPO CONTROL LLAMA	КОНТРОЛЬНАЯ АППАРАТУРА	65325258	65325258
13	IGNITION TRANSFORMER	TRASFORMATORE	TRANSFORMATEUR D'ALLUMAGE	TRANSFORMADOR	ТРАНСФОРМАТОР	65323258	65323258
14	SOCKET WIELAND	PRESA WIELAND	FICHE FEMELLE WIELAND	TOMA WIELAND	ВИЛКА WIELAND	65322070	65322070
15	PLUG WIELAND	SPINA WIELAND	FICHE MÂLE WIELAND	ESPIA WIELAND	РАЗЪЕМ WIELAND	65322069	65322069
16	CARTER	CARTER	CARTER	CARTER	КАРТЕР	65320518	65320518
17	ORING	ORING	ORING	ORING	КОЛЬЦЕОБРАЗНАЯ УПЛОТНИТЕЛЬНАЯ ПРОКЛАДКА	65321061	65321061
18	IONIZATION CABLE	CAVO DI RIVELAZIONE	CABLE D'IONISATION	CABLE DE IONIZACION	ПРОВОД ОБНАРУЖЕНИЯ ПЛАМЕНИ	65325260	65325260
19	IGNITION CABLE	CAVO DI ACCENSIONE	CABLE D'ALLUMAGE	CABLE DE ENCENDIDO	ПРОВОД РОЗЖИГА	65325261	65325261
						65325253	65325253
						65325263	65325263
20	IONIZATION PROBE	ELETTRODO DI RIVELAZIONE	SONDE D'IONISATION	ELECTRODO DE IONIZACION	ЭЛЕКТРОД ОБНАРУЖЕНИЯ ПЛАМЕНИ	65320905	65320905
21	IGNITION ELECTRODE	ELETTRODO DI ACCENSIONE	ELECTRODE D'ALLUMAGE	ELECTRODO DE ENCENDIDO	ЭЛЕКТРОД РОЗЖИГА	65325241	65325241
22	ROD	ASTINA REGOLAZIONE TESTA	SUPPORT	SOPORTE CABEZA DE COMBUSTION	РЕГУЛИРОВОЧНЫЙ ШТОК ОГНЕВОЙ ГОЛОВКИ	65320164	65320164
23	SUPPORT PIPE	TUBO SUPPORTO TESTA	TUYATERIE	TUBO	КРЕПЕЖНАЯ ТРУБКА ОГНЕВОЙ ГОЛОВКИ	65320165	65320165
						65321530	65321530
						65321531	65321531
24	FIRING HEAD	TESTA DI COMBUSTIONE	TETE DE COMBUSTION	CABEZA DE COMBUSTION	ОГНЕВАЯ ГОЛОВКА	65321568	65321568
25	HEAD CAP	TAPPO TESTA	CALOTTE TETE	TAPA CABEZA DE COMBUSTION	ЗАГЛУШКА ОГНЕВОЙ ГОЛОВКИ	65321569	65321569
26	DIFFUSER	DIFFUSORE	DIFFUSEUR	DIFUSOR	РАССЕКТЕЛЬ	65320761	65320761
27	NOZZLE	NASELLO	MENTONNET	TUBO ANTERIOR	ПЕРЕДНЯЯ ВСТАВКА	65325238	65325238
						65325239	65325239
28	BLAST TUBE	BOCCAGLIO	GUEULARD	TUBO LLAMA	СТАКАН	65320317	65320317
						65320314	65320314
29	INNER ASSEMBLY	GRUPPO TESTA	GRUPE TETE DE COMBUSTION	GRUPO CABEZA DE COMBUSTION	ОГНЕВАЯ ГОЛОВКА В СБОРЕ	65325272	65325272
						65324794	65324794
30	FLANGE	FLANGIA	BRIDE	BRIDA	ФЛАНЦ	65320972	65320972
31	NEEDLE SPARK	AGO SCINTILLA	AIGUILLE SCINTILLE	CHISPA DE LA AGUIJA	ИСКРА ИГЛЫ	65325240	65325240
32	ANTI-JAMMING FILTER	FILTRO ANTIDISTURBO	FILTRE ANTIPARASITES	FILTRO ANTITRASTORNO	ФИЛЬТР ПОДАВЛЕНИЯ ПОМЕХ	65323169	65323169

TC = Testa corta / Short Head / Tete courte / Cabeza corta / КОРТКАЯ ОГНЕВАЯ ГОЛОВКА TL = Testa lunga / Long Head / Tete longue / Cabeza larga / ДЛИННАЯ ОГНЕВАЯ ГОЛОВКА

---

*La ECOFLAM BRUCIATORI S.p.A si riserva il diritto di apportare ai prodotti quelle modifiche che riterrà necessarie o utili, senza pregiudicarne le caratteristiche principali.*

*ECOFLAM BRUCIATORI S.p.A. reserves the right to make any adjustments, without prior notice, which it considers necessary or useful to its products, without affecting their main features.*

*La Maison ECOFLAM BRUCIATORI S.p.A. se réserve le droit d'apporter les modifications qu'elle jugera nécessaires ou utiles à ses produits sans pour autant nuire à leurs caractéristiques principales.*

*ECOFLAM BRUCIATORI S.p.A. se reserva el derecho a introducir en sus productos todas las modificaciones que considere necesarias o utiles, sin perjudicar sus características.*

*“Экофлам С.п.А.” оставляет за собой право вносить в конструкцию оборудования любые необходимые изменения без особого предупреждения.*

# **Ecoflam**

**Ecoflam Bruciatori S.p.A.**

via Roma, 64 - 31023 RESANA (TV) - Italy - tel. 0423.719500 - fax 0423.719580

<http://www.ecoflam-burners.com> - e-mail: [export@ecoflam-burners.com](mailto:export@ecoflam-burners.com)