



# KPC 24/7

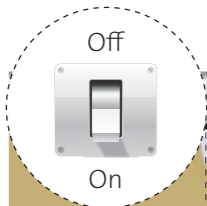
210/270



[net.grundfos.com/qr/i/99057356](http://net.grundfos.com/qr/i/99057356)

be  
think  
innovate

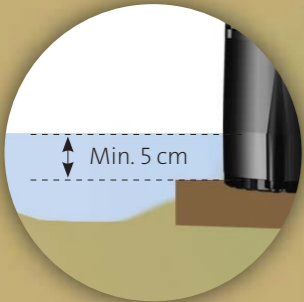
**GRUNDFOS** 



Max. 3 m

Max. 7 m

Max. 40 °C / Min. 0 °C



Min. 5 cm

- < KPC 24/7 210: 5 mm
- < KPC 24/7 270: 10 mm

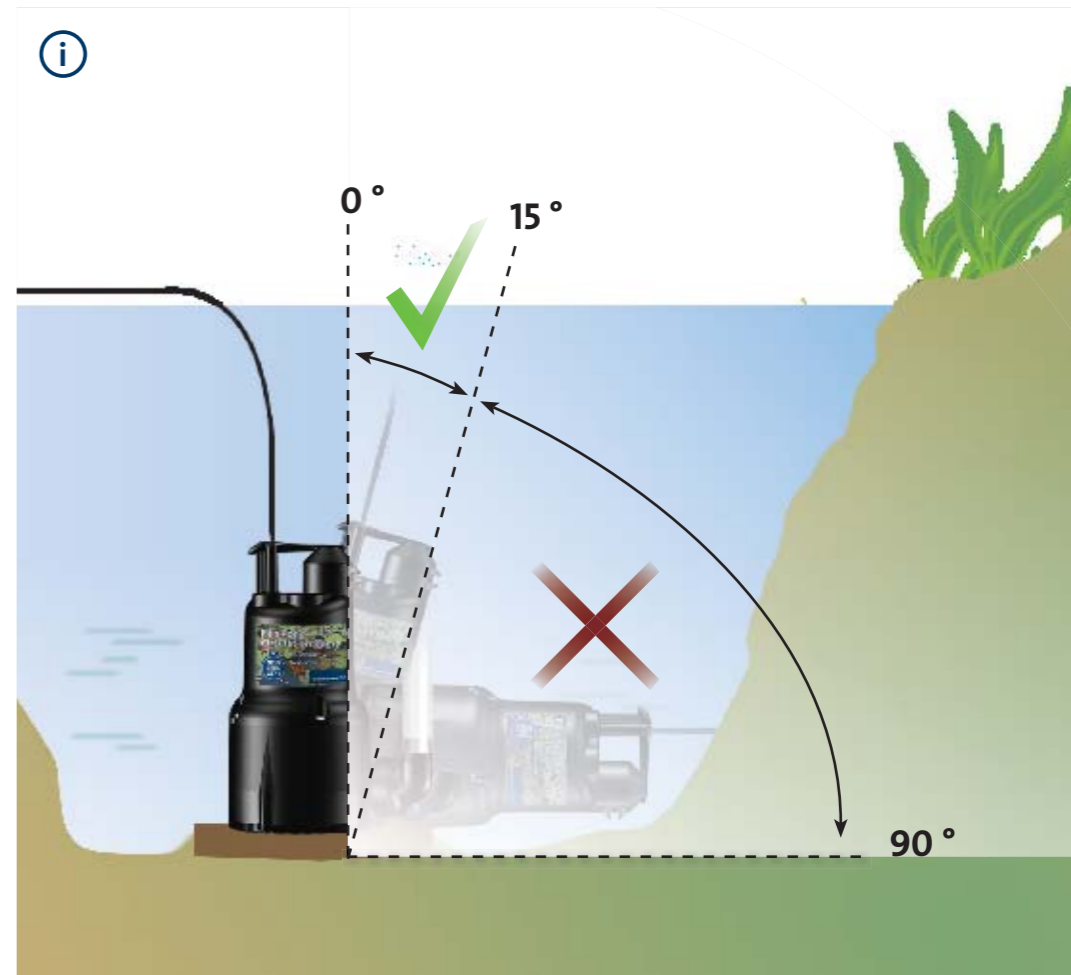
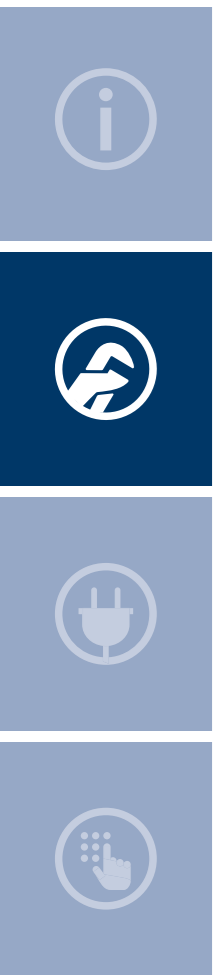
1

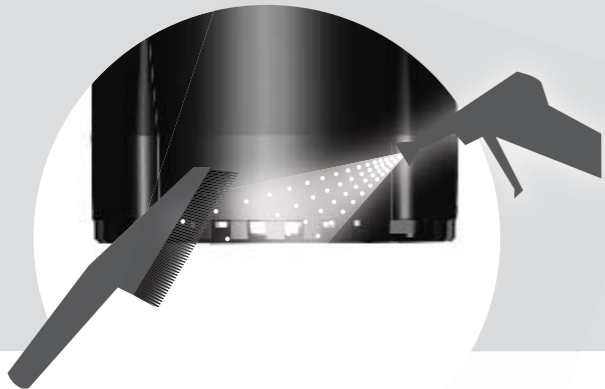
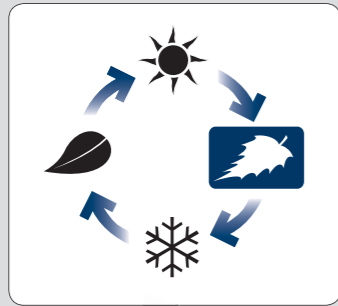
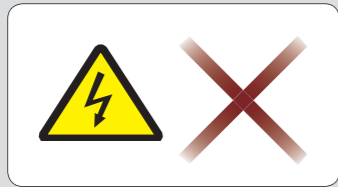


2

1"







---

---

---

---

---

---

---

---

---

---

98870450 0216

ECM: 1178893

**GRUNDFOS Holding A/S**

Poul Due Jensens Vej 7

DK-8850 Bjerringbro

Tel: +45 87 50 14 00

[www.grundfos.com](http://www.grundfos.com)

**GRUNDFOS** 

The name Grundfos, the Grundfos logo, and be think innovate are registered trademarks owned by Grundfos Holding A/S or Grundfos A/S, Denmark. All rights reserved worldwide.