



# MAGNA3

Further product  
documentation



[net.grundfos.com/qr/i/98091805](https://net.grundfos.com/qr/i/98091805)

be  
think  
innovate

**GRUNDFOS** 



MAGNA3



MAGNA3 D





Max. 95 % RH  
IPX4D



Min./Max.  
-10 °C – +110 °C



PN 6:6 bar / 0.6 MPa  
PN 10:10 bar / 1.0 MPa  
PN 16:16 bar / 1.6 MPa

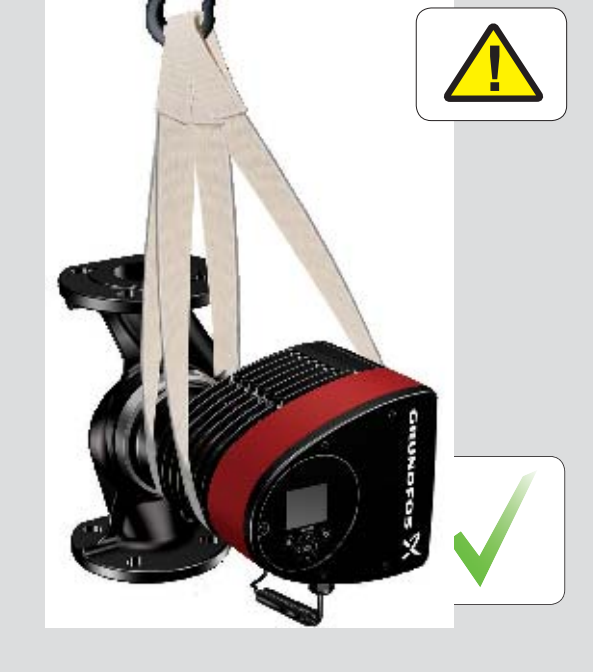









Min./Max.  
0 °C – +40 °C

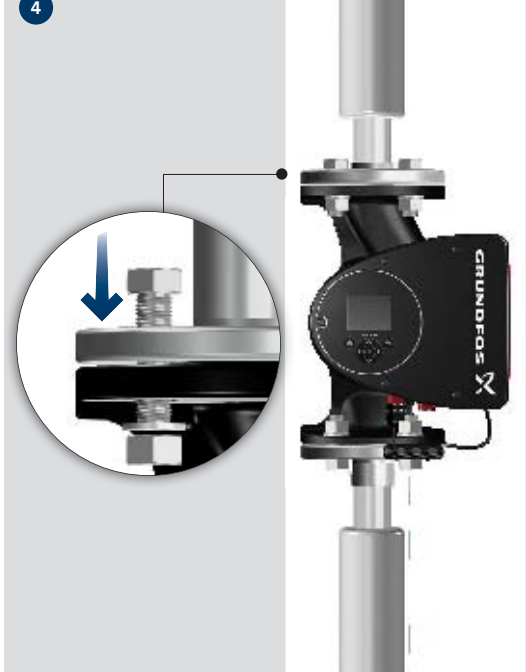


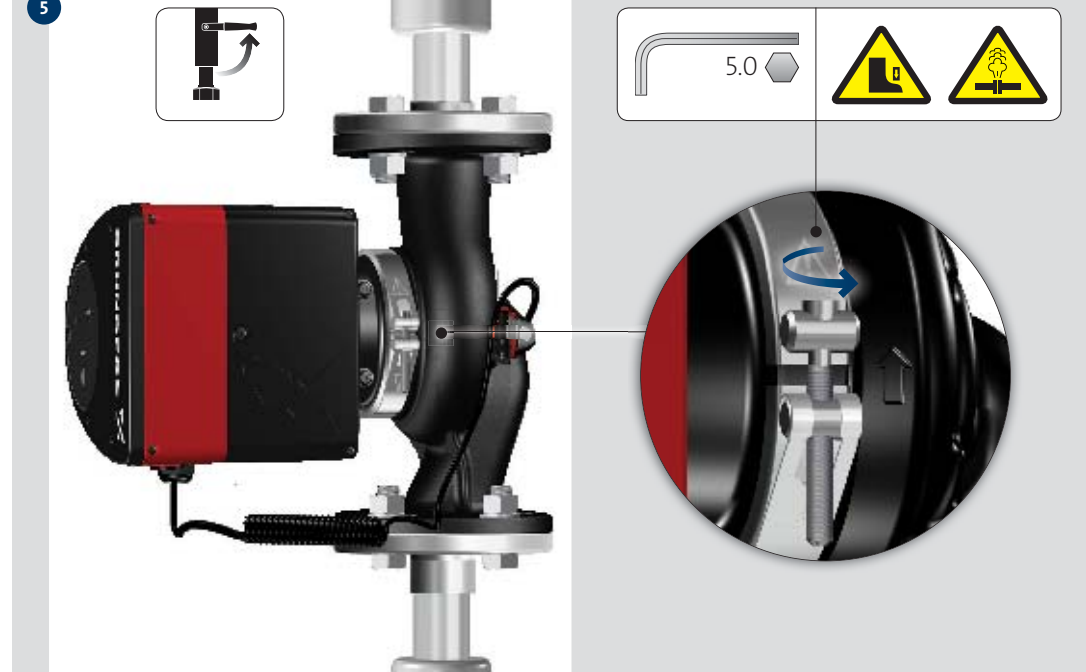
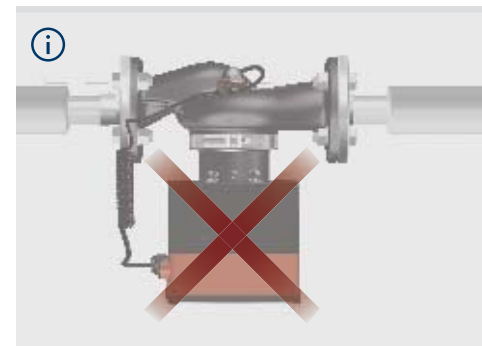
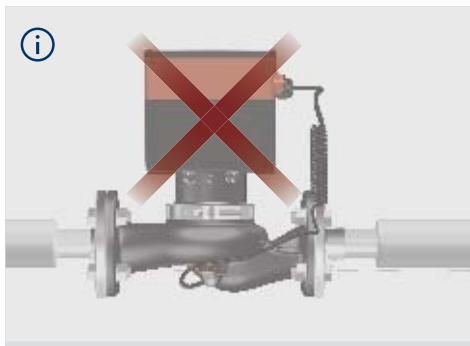
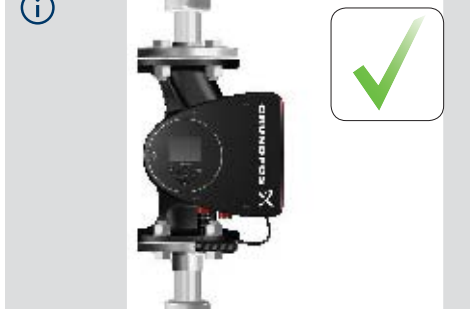
< 55 dB(A)

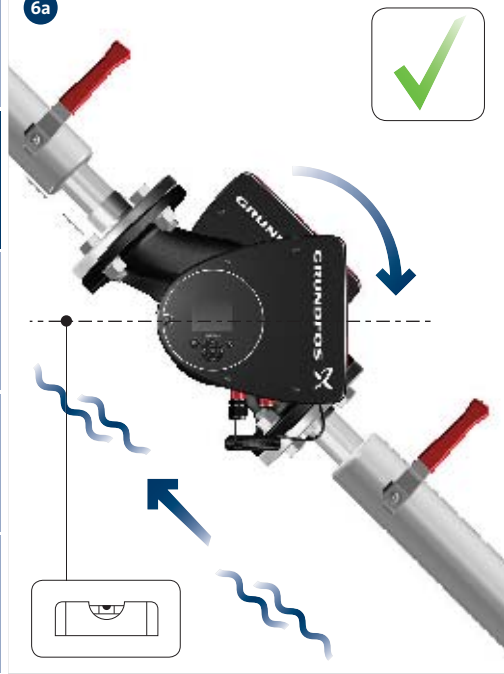




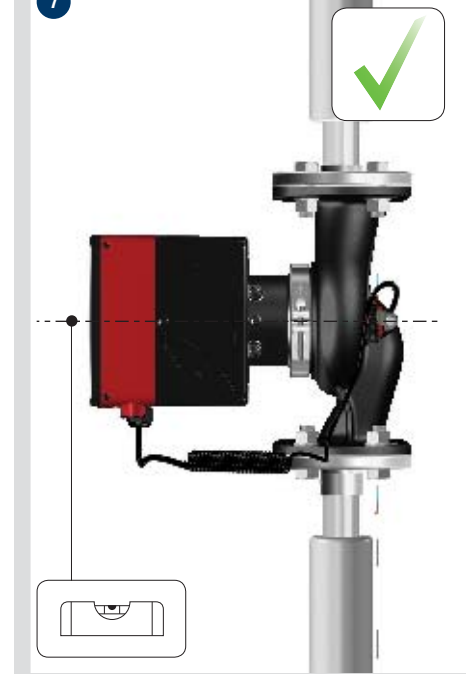
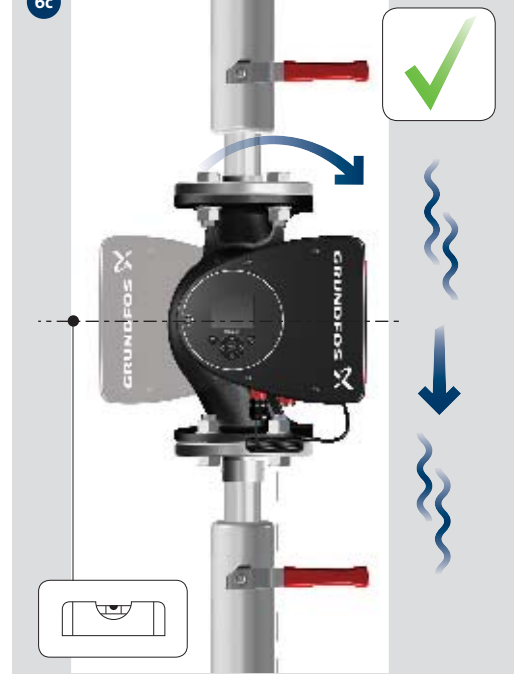
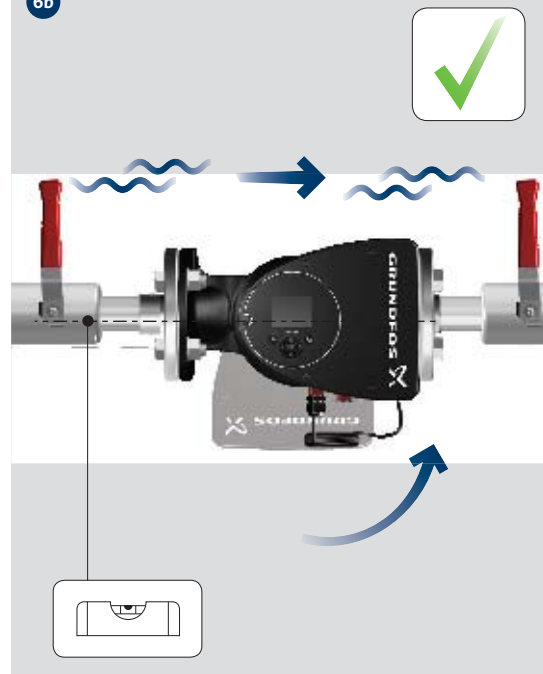
-  0.6 x 3.5
-  1.2 x 8.0
-  TX10
-  TX20
-  5.0
- 
- 



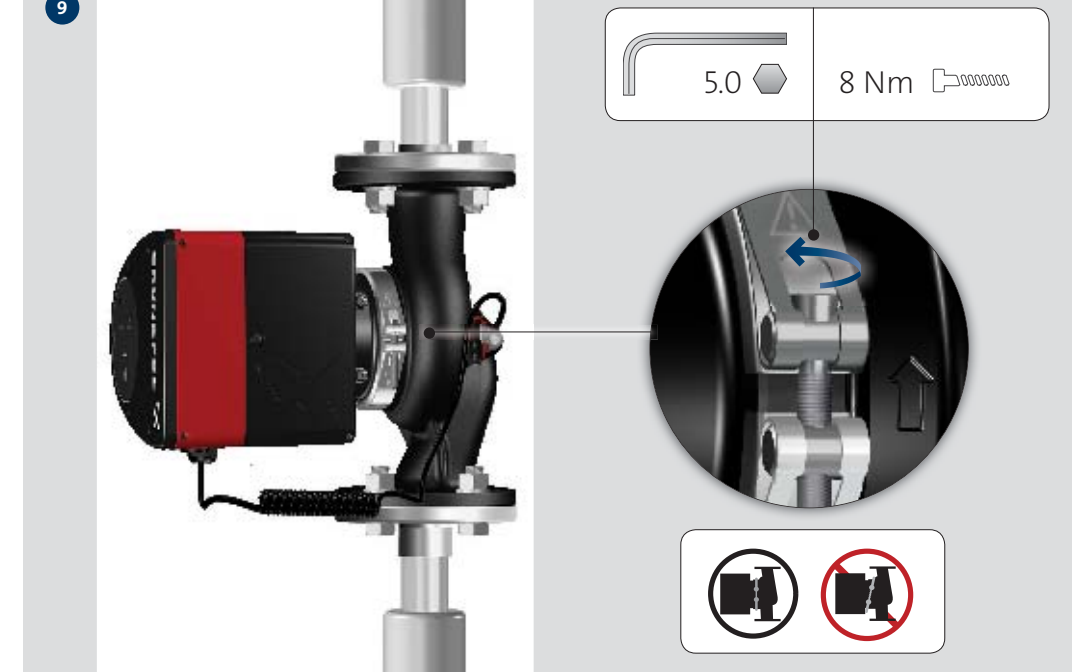
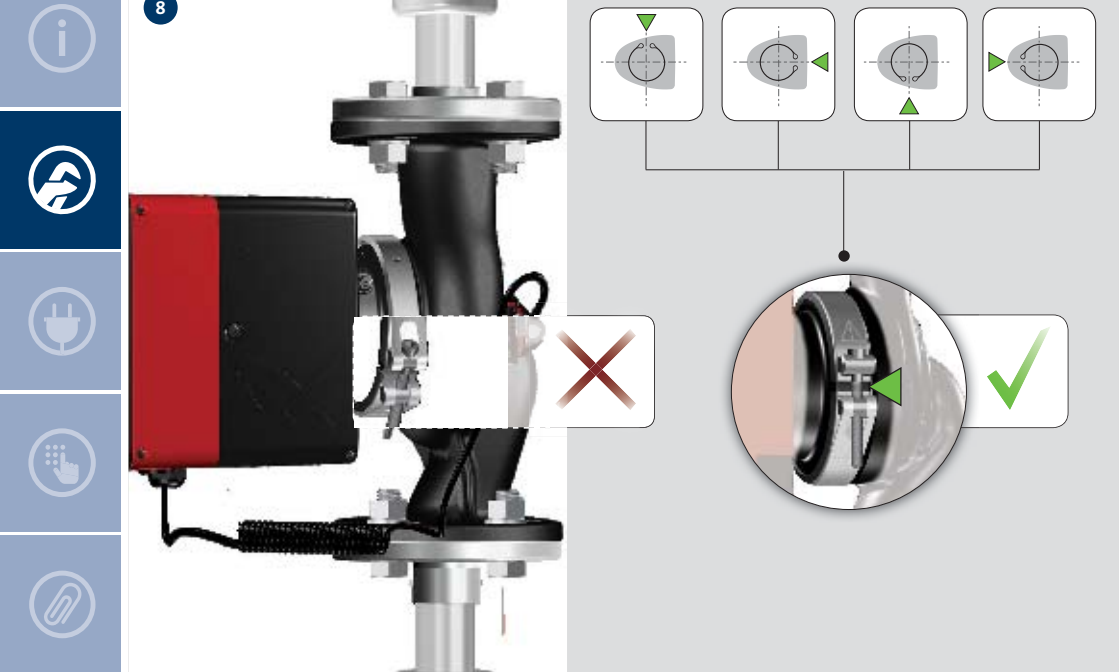




12



13





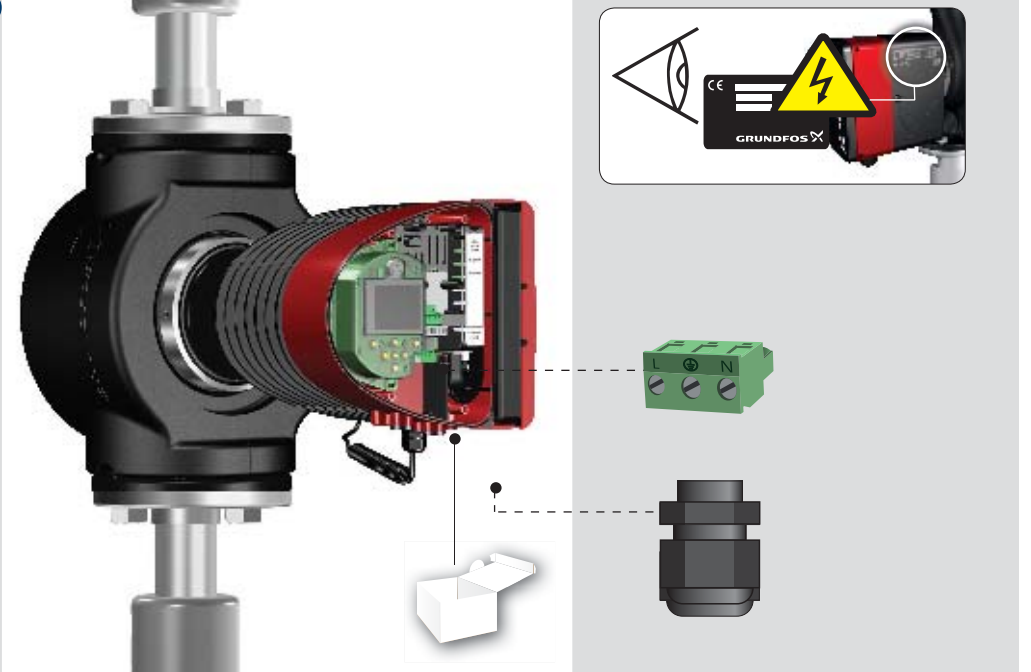
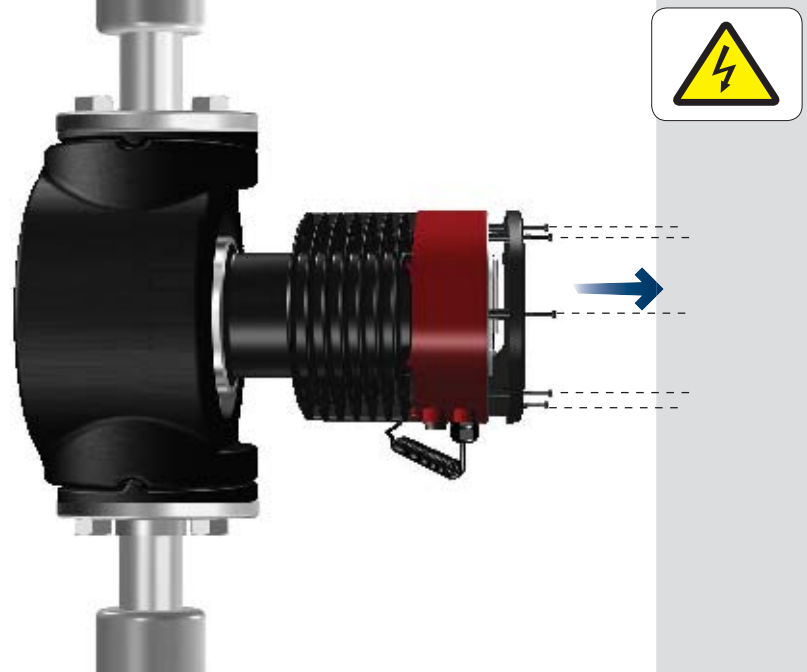


10

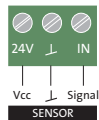


11





### Analog input



### Digital input



### Relay 1



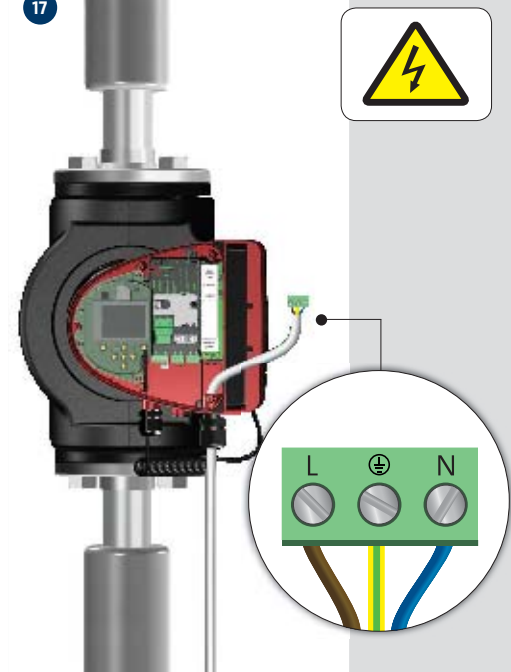
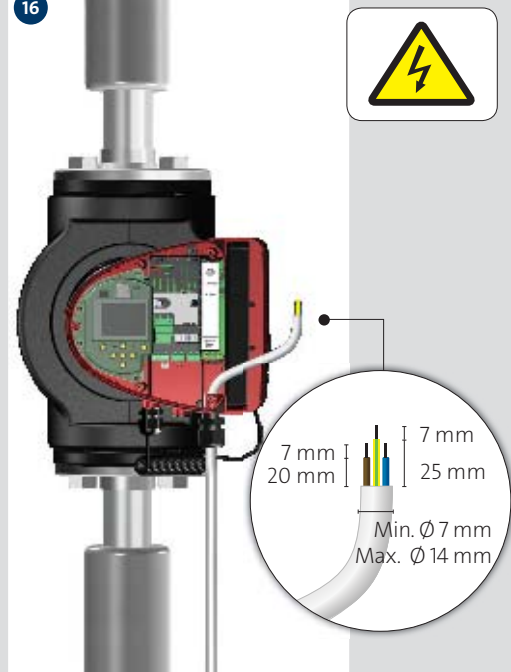
### Relay 2



Use C and NC for fault signals as this enables serial connections of more relays and detection of signal cable defects.

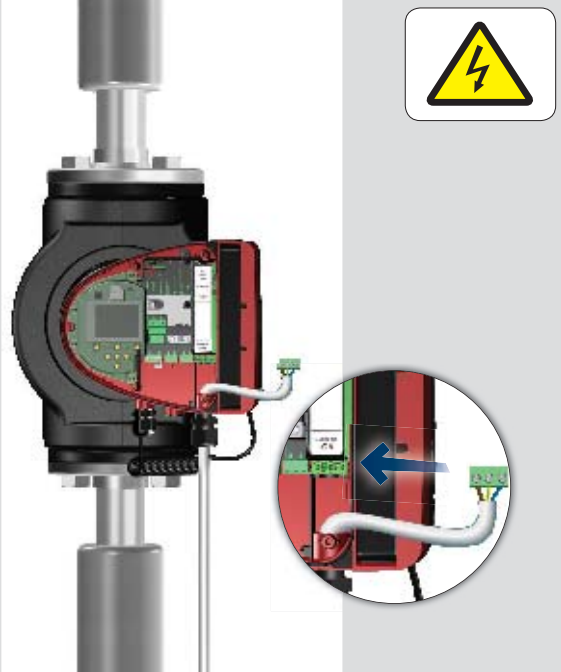
### Power





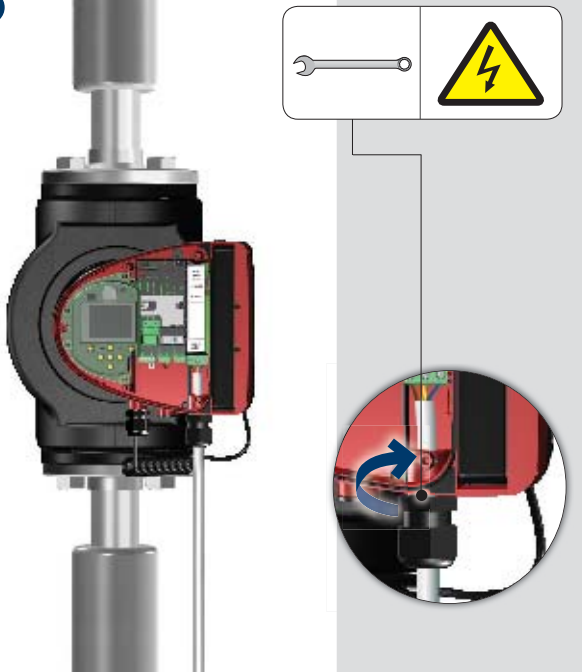


18



24

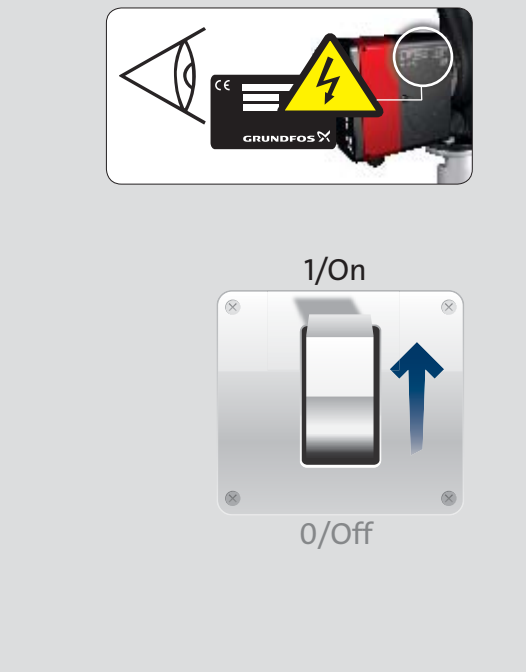
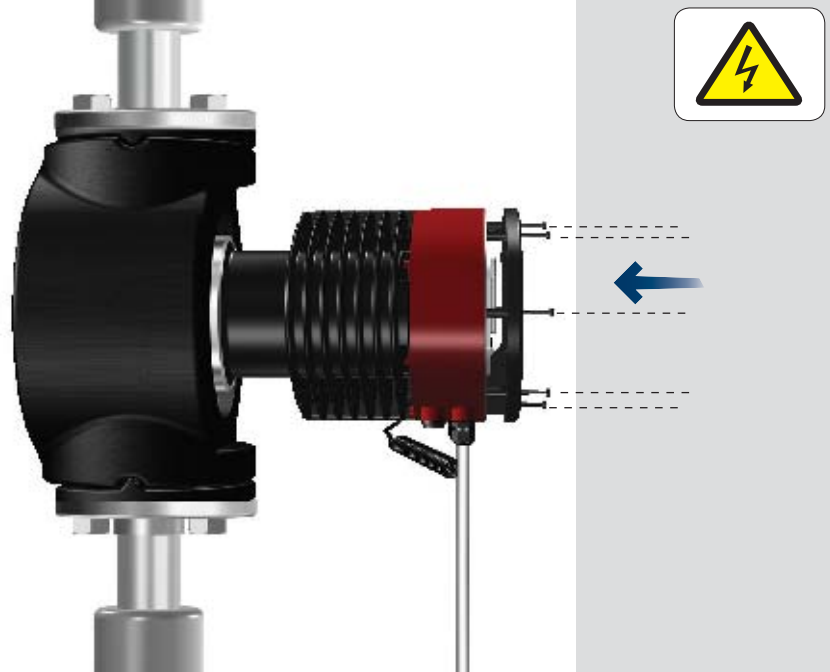
19



20



25





### Power cycle

Max. 4 starts  
per 60 minutes



GRUNDFOS



Further product documentation



[net.grundfos.com/qr/i/98091805](https://net.grundfos.com/qr/i/98091805)



---

---

---

---

---

---

---

---

---

---

---

---

---

---

---

---

---

---

---

---



Installation date: \_\_\_\_\_

Installer:

---

---

---

---

98091803 0219

ECM: 1253737

**GRUNDFOS Holding A/S**  
Poul Due Jensens Vej 7  
DK-8850 Bjerringbro  
Tel: +45 87 50 14 00  
[www.grundfos.com](http://www.grundfos.com)

**GRUNDFOS** 

Trademarks displayed in this material, including but not limited to Grundfos, the Grundfos logo and "be think innovate" are registered trademarks owned by The Grundfos Group. All rights reserved.  
© 2019 Grundfos Holding A/S, all rights reserved.