

SLS 1202 to 4004

With or without total heat recovery



262 to 916 kW



Technical Brochure

TM SLS407-A.3GB

Date : November 2006

Supersedes : TM SLS407-A.2GB/10.04

Airwell

Technical Description

General

The SLS air cooled screw chillers are equipped with low noise level axial fans and are suitable for exterior installation.

The models **SLS 1202 to 4202** can be equipped, as optional, with **total heat recovery system** (composed mainly of additional condensers, liquid receivers and 4-way valves) allowing to recover all the condensing heat for the production of domestic hot water.

The units are supplied with complete charge of oil and HFC 407C refrigerant.

The SLS units are factory tested in compliance with internal quality system specifications and procedures, and are ready for field installation.

The models SLS 1202 to 4202 consist of **2 independent refrigerant circuits** with one semi-hermetic twin screw compressor on each circuit. They are equipped with a dual independent circuit plate type heat exchanger on models SLS 1202 to 2602, and with a shell-and-tube type heat exchanger on models SLS 3002, 3402, 3802 and 4202.

The models SLS 3804 and 4004 have **4 independent refrigerant circuits** with one semi-hermetic twin screw compressor on each circuit, two dual independent circuit plate type heat exchangers and two independent electrical boards located on each end of the unit.

The SLS range is available in **4 versions**. Each version is composed of **15 sizes**.

SLS BLN : Reduced Low Noise Standard Version equipped with Delta connected fans. Each fan is located in an externally mounted nozzle profile housing generating low sound level. The compressors are housed in a protective box. The SLS BLN units are covering a nominal cooling capacity range from **262 to 916 kW**.

SLS LN : Low Noise Version. These units have the same condenser coils and fans as the BLN units. They are thus fitted with Delta connected fans (each fan is located in an externally mounted nozzle profile housing), with an acoustically insulated box mounted on each compressor and with a fan speed controller. The SLS LN units are covering a nominal cooling capacity range from **247 to 868 kW**.

SLS ELN : Extra Low Noise Version having more fans than the SLS LN version. These units are provided with Star connected low speed fans, greater surface area condenser coils, fan speed controller, acoustically insulated compressors box, and flexible pipes and mufflers mounted on compressor discharge lines. The SLS ELN units are covering a nominal cooling capacity range from **247 to 869 kW**.

SLS HET : High Efficiency and High Temperature Version consisting of same condenser coils and same number of fans as SLS ELN version. The fans are Delta connected and the compressors are housed in protective boxes. These units are provided without fan speed controller, nor flexible pipes and mufflers on discharge lines of compressors. The SLS HET units are suitable for operation at high ambient temperatures (up to +46 °C) and are covering a nominal cooling capacity range from **269 to 937 kW**.

Reference standards

The following applies to all the sizes and versions belonging to the SLS units :

- ✓ Machine Directive : EEC 98/37 (EN 292/1, EN 292/2)
- ✓ Low Voltage Directive : EEC 73/23 (EN 60204-1, EN 60439-1)
- ✓ Electromagnetic Compatibility Directive : EEC 89/336 as modified by Directive EEC 92/31 (EN 50081-1, EN 50082-2)
- ✓ Pressure Equipment Directive : 97/23/CE

Cabinet and structure

The unit cabinet and frame are of heavy gauge galvanized steel fastened with non-corrosive screws and bolts. Galvanized steel parts are painted with baked-on enamel coloured **white (RAL 9001)**.

The SLS units have a very compact structure, with optimized footprint, designed on 4, 6 and 8 meter long bases.

Semi-hermetic screw compressors

The compressors installed in the SLS units are of semi-hermetic twin screw type integrating step type cooling capacity control system.

All compressors are fitted with an electronic control system ensuring the following functions :

- protection against high temperature and excessive load ;
- correct direction of rotation ;
- phase monitoring.

The main features of cooling capacity control of each compressor are stated below :

- compressor capacity reduction by means of solenoid valves ;
- capacity reduction steps relating to each compressor : 25% (at start-up and pump down), 50%, 75% and 100% ;
- 6 capacity steps are then provided on 2 refrigerant circuit units : 25%, 50%, 63%, 75%, 87% and 100% and 12 steps on 4 refrigerant circuit units.

Furthermore, the screw compressors are provided with control devices to make the SLS units more reliable :

- electric motor temperature sensor ;
- discharge temperature sensor ;
- liquid injection.

The liquid injection into the compressor is assured by the presence of an additional liquid line : the liquid injection allows the discharge temperature to be reduced; thus permits the unit to operate at higher ambient temperature.

The additional liquid line consists of a capillary located downstream a solenoid valve. This solenoid valve is controlled by a thermostat located at the compressor discharge line.

The compressors are supplied with a Part-Winding and/or Star-Delta starting system (refer to section "Compressor electrical data").

Evaporators

Evaporators are of dual independent circuit brazed plate type and of shell-and-tube type (on models SLS 3002 to 4202) heat exchanger.

They are insulated with a 19 mm thick closed cell foam material and are fitted with an electric cable resistance on the external surface to prevent the unit from freezing at a low temperature (down to -18 °C), when the unit is off.

Inlet and outlet connecting manifolds can be supplied as optional extra on the units with two evaporators (SLS 3804 and 4004).

Total heat recovery condensers (optional)

Plate type (sizes 1202 to 2002) or shell and tube type (sizes 2202 to 4202) condensers fitted on the gas discharge lines, in parallel with the standard cooling circuits.

Each unit is equipped with two heat recovery condensers, one on each circuit.

Thanks to the 4-way valves used in the heat recovery system, the mode switching from cooling only mode to heat recovery mode is totally synchronized.

With such system, there is no any refrigerant stagnation in the condenser coils where all the fans are off, because the compressors suck all the refrigerant from the coils. Thus, influence of wind or air temperature is avoided during heat recovery operation.

Condenser coils

The condenser coils are consisting of seamless 1/2" copper tubes, arranged in staggered rows, mechanically expanded into corrugated aluminium fins.

The coil circuiting has been specially adopted to increase the performance of the refrigerant.

Technical Description (continued)

Condenser coil fans

The condenser fans are of direct drive propeller type and are composed of wing contour aluminium blades. All fans have diameter of 800 mm. Each of them is fitted with a painted steel protective guard.

Each fan is equipped with a nozzle profile housing which generates low noise level during the operation of the unit.

Fan controls

The standard units operate with an external air temperature down to -5 °C thanks to the use of a fan step controller which consists in deactivating a certain number of fans for each step.

A stepless fan speed controller can be supplied as optional in order to allow the units to operate with an external air temperature down to -18 °C.

The minimum external operating temperature on LN and ELN units is -18 °C, thanks to the stepless fan speed controller supplied as standard.

Refrigerant circuits

Each SLS unit has 2 or 4 independent refrigerant circuits according to the models.

Each refrigerant circuit is composed of components as shown in the section "Refrigerant flow diagrams".

Electrical board

Electrical board is a metal box of IP54 weather protection, arranged inside the unit and protected by a horizontally pivoted external panel.

On models SLS 3804 and 4004, an auxiliary electrical board (IP54) is located at the opposite end of the unit. In this case, 2-point power supply connections will be supplied. Single point power supply connections can be provided as optional.

Control and safety devices

All the SLS units are fitted with the following devices :

Safety :

- Main disconnect switch equipped with an emergency stop.
- HP switches (two on each circuit) set to 26.5 bar : manual reset from control board.
- LP transducers (one on each circuit) used as pressure switches and set to 1 bar : manual reset from control board. Transducers allow also suction pressure reading.
- Anti-freeze temperature sensor (set to +3 °C on shell and tube type evaporator and +4 °C on plate type evaporator).
- Maximum discharge temperature sensor (not displayed).
- Discharge line safety valve set to 29 bar.
- Heat recovery line safety valve set to 29 bar.
- Suction line safety valve set to 29 bar (on units equipped with shell-and-tube heat exchangers only).
- Water differential pressure switch on plate heat exchangers only, set to 104 mbar (50 mbar on models SLS 2202 and 2602), corresponding to about 50% of the nominal flow rate.

Control :

- HP transducers (one on each circuit).
- Evaporator water inlet temperature sensor.
- Evaporator water outlet temperature sensor.
- Ambient air temperature sensor.
- Heat recovery condenser temperature sensors.

Controls

The SLS units are supplied with a microprocessor based electronic control and management system ensuring the following functions :

- **Management of liquid / pump down solenoid valves :**
 - Compressor starts when solenoid valve is energized.
 - Pump down takes place when solenoid valve is de-energized.
 - **Management of compressor operation :**
 - Start-up / Stop.
 - Management of delays at start-up.
 - **Chilled water temperature control on evaporator water return or leaving :**
 - Control on return water : proportional type (RWT P) or integral proportional type (RWT P+I) with integration time to be parametrized.
 - Control on leaving water (LWT).
- Standard control : RWT P.
- **Evaporator anti-freeze protection.**
 - **Fan protection.**
 - **Hydraulic module management.**
 - **Management of high and low pressure alarms.**
 - **Remote control management :**
 - Unit start-up and stop.
 - Alarm signalling.
 - **Programming of 4 hour periods with 4 different set points.**
 - **Alarm records.**
 - **Counting of compressor and pump (if present) operation hours.**
 - **Operating mode "Night/Low noise" (for versions LN and ELN only).**

The electronic controller provides for a clear signalling, on the LCD, of any unit control parameters, such as :

- Display of the circuit 1 and circuit 2 discharge pressure.
- Display of the circuit 1 and circuit 2 suction pressure.
- Display of the return water temperature.
- Display of the leaving water temperature.
- Display of the ambient air temperature.
- Display of the various alarms and operation states :
 - Inlet water temperature.
 - Outlet water temperature.
 - High / low pressure.
 - Ambient air temperature.
 - Evaporator anti-freeze.
 - Lack of water.
 - Phase sequence monitoring.
 - Compressor thermal protection.
 - Fan thermal protection.
 - Remote unit OFF.
- Remote ON/OFF contact.
- Contacts for the forced unloading of compressors or for the second set point.
- Contacts signalling that the compressors are running.
- Contact signalling that the unit is switched on.
- Contact signalling that the unit is alarmed.

Technical Description (continued)

Factory-installed options

- Condenser coils with blue fins covered with a coating easing the flowing of water.
- Condenser coils with "Fin Guard Silver" (polyurethane) coated fins.
- Condenser coils with copper fins.
- LP & HP manometers.
- Condenser coil guards.
- Chiller grilles.
- Special inverter fans (SIF) with ESP > 100 Pa (for versions BLN and HET only).
- Fan speed controller for versions BLN & HET (not compatible with option SIF).
- Compressor soft starting.
- Power factor correction capacitors.
- Electronic expansion valves.
- Compressor Star/Delta starting (sizes 1202 to 2002, 3804 & 4004).
- Compressor suction valves.
- Compressor oil cooler.
- Compressor oil level switch.
- Shell & tube evaporators (sizes 1202 to 2602, 3804 & 4004).
- Compressor acoustic box (for versions BLN & HET).
- Water pump acoustic box.
- Total heat recovery.
- Desuperheater.
- Antifreeze electric heater for hydraulic manifolds.
- 1 or 2 low/high pressure pump kits with accessories.
- Integrated hydraulic module (with 1 or 2 low/high pressure pump(s) + accessories) equipped with an insulated water tank :
 - 750 litres : models 1202 to 2002.
 - 1000 litres : models SLS 2202 to 2602.

The integrated hydraulic module is not available on units

equipped with shell-and-tube evaporators.

- Single point power supply connections (for models 3804 and 4004).
- GSM modem :

For information communication and transfer by SMS (SIM card not supplied).
- Data logger :

Electronic board memorizing machine information intended for maintenance works :

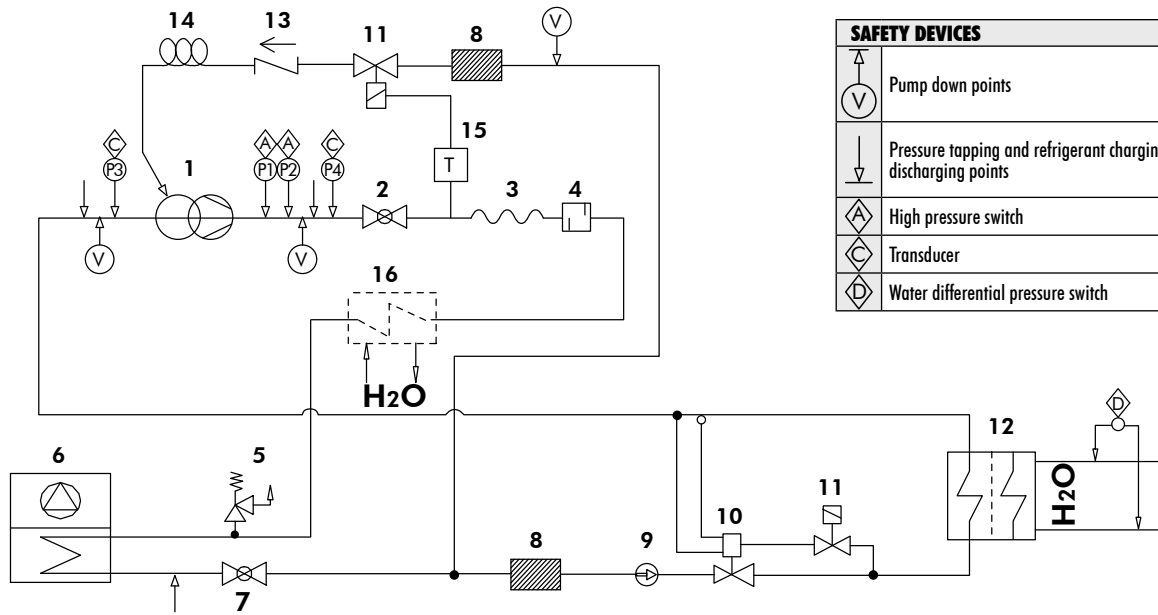
 - Last memorized alarms (date and type).
 - Entering and leaving water temperature report.
 - Suction and discharge pressure report.

Field-installed accessories

- Water filter.
- Flow switch.
- Rubber pads.
- Spring anti-vibration mounts.
- Hydraulic manifolds for single point in/out water connections (sizes 3804 & 4004).
- External hydraulic module (with 1 or 2 low or high pressure pump(s) + accessories) equipped with an insulated water tank :
 - 1000 litres : model SLS 1202.
 - 1500 litres : models SLS 1402 to 2402.
 - 2500 litres : models SLS 2602 to 4004.
- Remote wall mounted display terminal.
- Chiller-Net : Master/slaves control up to 4 units maximum.
- Modbus protocol kit for BMS.
- Lonwork protocol kit for BMS.
- Bacnet protocol kit for BMS.

Refrigerant Flow Diagrams

Unit with plate heat exchanger

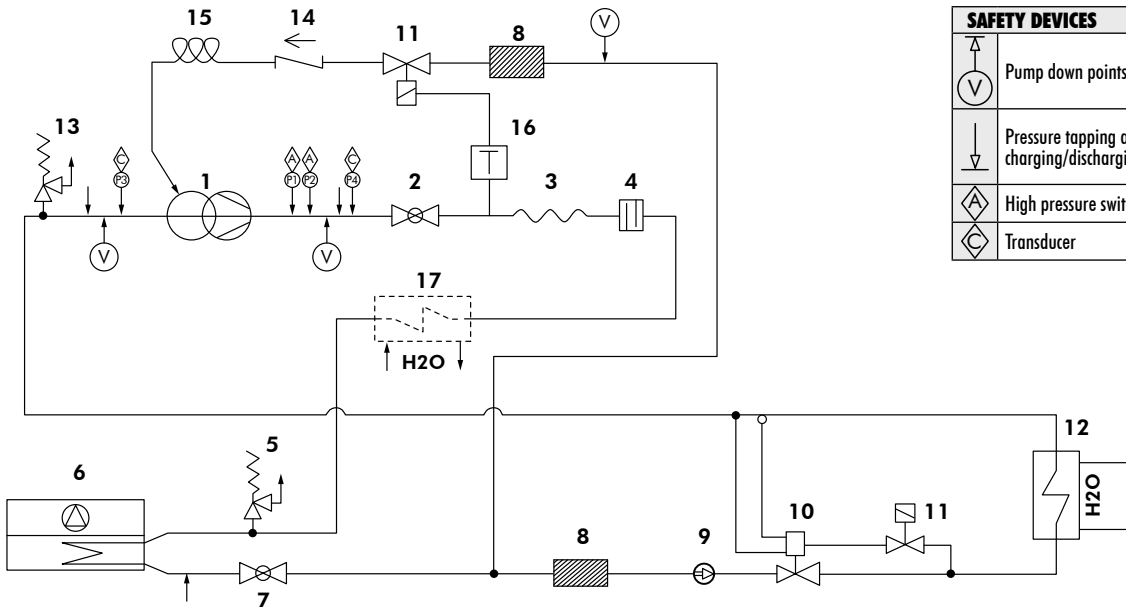


SAFETY DEVICES	
	Pump down points
	Pressure tapping and refrigerant charging/discharging points
	High pressure switch
	Transducer
	Water differential pressure switch

COMPONENTS					
1	Screw compressor	7	Liquid valve	13	Non-return valve
2	Discharge valve	8	Filter-drier	14	Capillary
3	Flexible pipe	9	Sight glass	15	Thermostat
4	Muffer	10	Thermostatic expansion valve	16	Desuperheater (optional)
5	Safety valve	11	Solenoid valve		
6	Condenser coil	12	Plate heat exchanger (evaporator)		

Note : Each unit has 2 or 4 refrigerant circuits according to the models. For reasons of readability, one circuit only is shown.

Unit with shell and tube heat exchanger



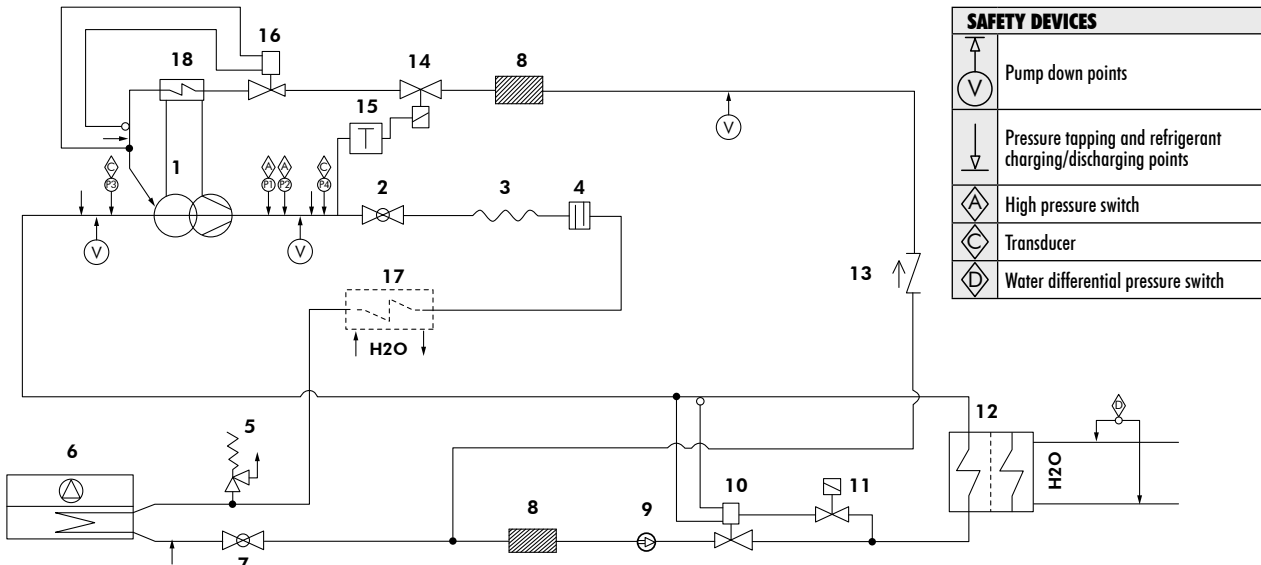
SAFETY DEVICES	
	Pump down points
	Pressure tapping and refrigerant charging/discharging points
	High pressure switch
	Transducer

COMPONENTS					
1	Screw compressor	7	Liquid valve	13	Safety valve
2	Discharge valve	8	Filter-drier	14	Non-return valve
3	Flexible pipe	9	Sight glass	15	Capillary
4	Muffer	10	Thermostatic expansion valve	16	Thermostat
5	Safety valve	11	Solenoid valve	17	Desuperheater (optional)
6	Condenser coil	12	Shell and tube heat exchanger (evaporator)		

Note : Each unit has 2 or 4 refrigerant circuits according to the models. For reasons of readability, one circuit only is shown.

Refrigerant Flow Diagram (cont'd)

Unit with plate heat exchanger and oil cooler for low water temperature application (optional)

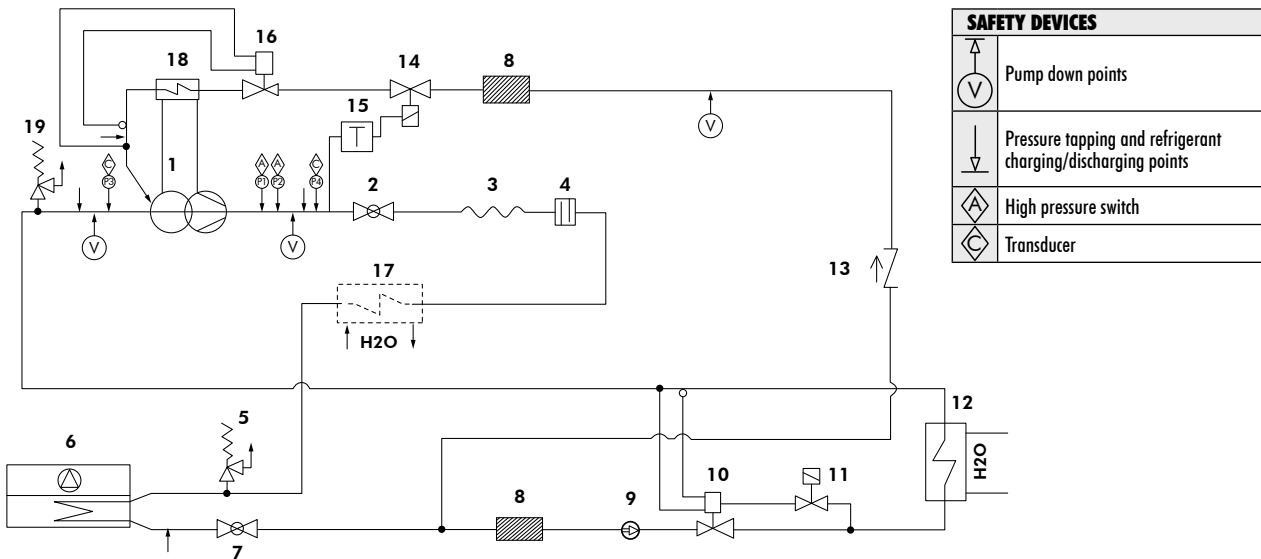


SAFETY DEVICES	
	Pump down points
	Pressure tapping and refrigerant charging/discharging points
	High pressure switch
	Transducer
	Water differential pressure switch

COMPONENTS					
1	Screw compressor	7	Liquid valve	13	Non-return valve
2	Discharge valve	8	Filter-drier	14	Solenoid valve
3	Flexible pipe	9	Sight glass	15	Thermostat
4	Muffler	10	Thermostatic expansion valve	16	Thermostatic expansion valve
5	Safety valve	11	Solenoid valve	17	Desuperheater (optional)
6	Condenser coil	12	Plate heat exchanger (evaporator)	18	Oil cooler

Note : Each unit has 2 or 4 refrigerant circuits according to the models. For reasons of readability, one circuit only is shown.

Unit with shell and tube heat exchanger and oil cooler for low water temperature application (optional)



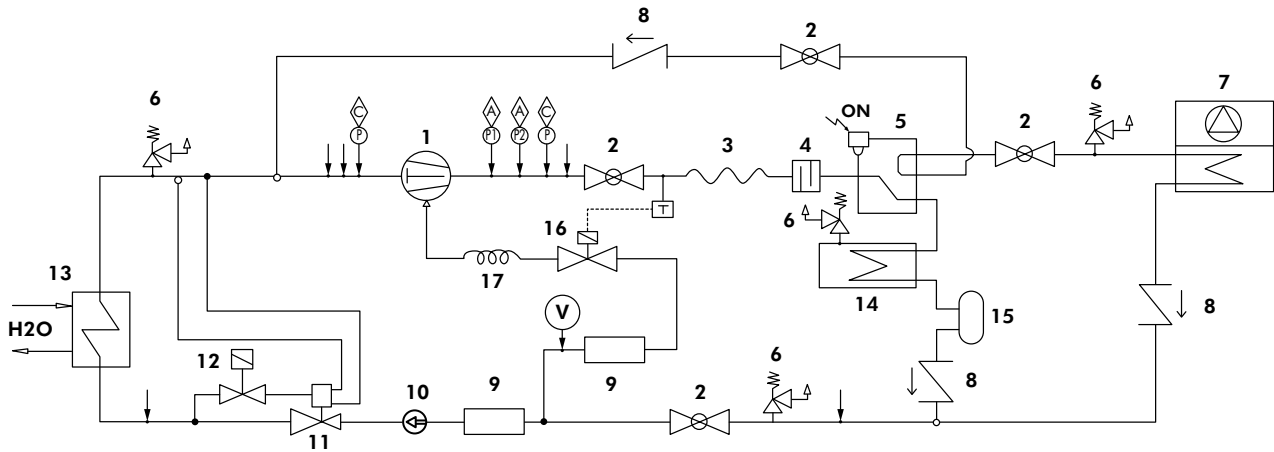
SAFETY DEVICES	
	Pump down points
	Pressure tapping and refrigerant charging/discharging points
	High pressure switch
	Transducer

COMPONENTS					
1	Screw compressor	8	Filter-drier	15	Thermostat
2	Discharge valve	9	Sight glass	16	Thermostatic expansion valve
3	Flexible pipe	10	Thermostatic expansion valve	17	Desuperheater (optional)
4	Muffler	11	Solenoid valve	18	Oil cooler
5	Safety valve	12	Shell and tube heat exchanger (evaporator)	19	Safety valve
6	Condenser coil	13	Non-return valve		
7	Liquid valve	14	Solenoid valve		

Note : Each unit has 2 or 4 refrigerant circuits according to the models. For reasons of readability, one circuit only is shown.

Refrigerant Flow Diagram (cont'd)

Unit with total heat recovery (optional)



COMPONENTS			
1	Screw compressor	10	Sight glass
2	Shut off valve	11	Thermostatic expansion valve
3	Flexible pipe (ELN version only)	12	Solenoid valve
4	Muffler (ELN version only)	13	Evaporator
5	4-way valve	14	Heat recovery heat exchanger
6	Safety valve	15	Liquid receiver
7	Condenser coil	16	Solenoid valve
8	Non-return valve	17	Capillary
9	Filter		

SAFETY DEVICES	
	Pump down points
	Pressure tapping and refrigerant charging/discharging points
	High pressure switch
	Transducers

Note : Each unit has 2 refrigerant circuits. For reasons of readability, one circuit only is shown. Liquid injection is supplied as standard.

Operating Limits

SLS models			1202		1402		1602		1802		1902		2002		2202		2402			
			Min.	Max.	Min.	Max.	Min.	Max.	Min.	Max.	Min.	Max.	Min.	Max.	Min.	Max.	Min.	Max.		
Warm liquid	Water outlet temperature		°C		+30 to +50															
	Water temperature difference		K		+3 to +8															
	Flow rate (1)		l/h		18699	49863	20910	55759	24142	64380	27200	72533	29720	79253	32377	86340	35834	95558	37817	100846
	Pressure drop (1)		kPa		14.3	101.9	13.0	92.5	17.3	123.3	14.7	104.7	13.0	92.3	15.4	109.5	16.3	116.0	16.9	120.3
	Maximum operating pressure - Water side		bar		10															
Chiller	Liquid outlet temperature	Water outlet		°C		+5 to +15														
		Brine outlet (low liquid temperature application)		°C		-8 to +4														
		Water temp. difference		K		3 to 8														
	Flow rate (1)		l/s		7.8	20.9	8.9	23.6	10.1	27.0	11.3	30.2	12.7	33.7	13.7	36.5	15.2	40.5	15.9	42.5
	Pressure drop (1)		kPa		11.8	84.1	15.1	107.4	13.5	96.4	12.6	89.4	15.6	111.4	18.3	130.3	16.7	118.8	18.4	131.0
Maximum operating pressure - Water side		bar		10																
Ambient air	Air entering temperature	BLN version		°C		-5 °C (2) to +44 °C														
		LN version		°C		-18 °C to +44 °C														
		ELN version		°C		-18 °C to +40 °C														
		HET version		°C		-5 °C (2) to +46 °C														
	External static pressure	Standard fans		Pa		0														
High pressure fans		Pa		100																
Recommended minimum water volume of the system (water tank + installation) (3)			litres		1910		2158		2472		2735		3084		3300		3700		3845	
Nominal supply voltage (4)			V		400 V / 3 Ph / 50 Hz															

- (1) Flow rate and pressure drop given for SLS BLN units.
(2) Minimum ambient temperature : -18 °C with fan speed controller (optional).
(3) Data given for a water volume of 7.5 litres/kW.
(4) Tolerance : 400 V ± 10 %.

SLS models			2602		3002		3402		3802		4202		3804		4004			
			Min.	Max.	Min.	Max.	Min.	Max.	Min.	Max.	Min.	Max.	Min.	Max.	Min.	Max.		
Warm liquid	Water outlet temperature		°C		+30 to +50													
	Water temperature difference		K		+3 to +8													
	Flow rate (1)		l/h		41832	111552	45743	121981	50388	134368	55335	147561	62942	167846	-	-	-	-
	Pressure drop (1)		kPa		16.0	113.5	19.1	135.8	23.2	164.7	15.1	107.1	19.5	138.5	-	-	-	-
	Maximum operating pressure - Water side		bar		10													
Chiller	Liquid outlet temperature	Water outlet		°C		+5 to +15												
		Brine outlet (low liquid temperature application)		°C		-8 to +4												
		Water temp. difference		K		3 to 8												
	Flow rate (1)		l/s		17.8	47.4	19.4	51.7	21.4	57.0	23.3	62.1	26.3	70.2	12.6	33.7	13.7	36.5
	Pressure drop (1)		kPa		20.3	144.9	14.6	103.8	17.7	126.1	19.4	138.1	24.9	176.7	15.6	111.3	18.3	130.3
Maximum operating pressure - Water side		bar		10														
Ambient air	Air entering temperature	BLN version		°C		-5 °C (2) to +44 °C												
		LN version		°C		-18 °C to +44 °C												
		ELN version		°C		-18 °C to +40 °C												
		HET version		°C		-5 °C (2) to +46 °C												
	External static pressure	Standard fans		Pa		0												
High pressure fans		Pa		100														
Recommended minimum water volume of the system (water tank + installation) (3)			litres		4336		4730		5214		5615		6350		6165		6600	
Nominal supply voltage (4)			V		400 V / 3 Ph / 50 Hz													

- (1) Flow rate and pressure drop given for SLS BLN units. On models 3804 and 4004, the flow rate and pressure drop are given for each evaporator.
(2) Minimum ambient temperature : -18 °C with fan speed controller (optional).
(3) Data given for a water volume of 7.5 litres/kW.
(4) Tolerance : 400 V ± 10 %.

Correction Factors

Fouling factors

EVAPORATOR			CONDENSER		
Fouling factor (m ² .°C/kW)	Cooling capacity factor	Power input factor	Fouling factor (m ² .°C/kW)	Cooling capacity factor	Power input factor
0.044	1.000	1.000	0.044	1.000	1.000
0.088	0.987	0.995	0.088	0.987	1.023
0.176	0.964	0.985	0.176	0.955	1.068
0.352	0.915	0.962	0.352	0.910	1.135

Altitude factors

Altitude (m)	Cooling capacity factor	Power input factor
0	1.000	1.000
600	0.987	1.010
1200	0.973	1.020
1800	0.958	1.029
2400	0.943	1.038

Ethylene glycol solution correction factors

Ethylene glycol percent by weight	%	10	20	30	35	40
Freezing point	°C	-4	-10	-17	-21	-25
Cooling capacity correction factors (1)		0.995	0.985	0.970	0.963	0.955
Power input correction factors (1)		0.998	0.995	0.985	0.983	0.980
Flow rate correction factors		1.015	1.050	1.085	1.123	1.160
Pressure drop correction factors (2)		1.070	1.160	1.235	1.283	1.330

(1) Factors applicable only for glycol solution leaving temperature ≥ 7 °C. For temperatures < 7 °C, refer to table "Low temperature operation correction factors".

(2) Factors applicable only for glycol solution leaving temperature ≥ 5 °C. For temperatures < 5 °C, refer to table "Pressure drop correction factors for low temperature operation".

Low temperature operation correction factors

Leaving water temperature	°C	7	4	2	0	-2	-4	-6	-8
Minimum ethylene glycol percent	%	0	10	10	20	20	30	30	35
Cooling capacity correction factors		1.000	0.887	0.816	0.748	0.685	0.624	0.568	0.513
Power input correction factors		1.000	0.940	0.900	0.865	0.826	0.788	0.753	0.718

Pressure drop correction factors for low temperature operation

Ethylene glycol percent by weight	Glycol solution leaving temperature (°C)	Pressure drop correction factors
10%	5	1.071
	4	1.076
	3	1.081
	2	1.085
20%	1	1.193
	0	1.200
	-1	1.208
	-2	1.215
30%	-3	1.299
	-4	1.306
	-5	1.320
	-6	1.333

Physical Data - SLS 1202 to 2402 - BLN Version

SLS BLN models		1202	1402	1602	1802	1902	2002	2202	2402
Nominal cooling capacity (1)	kW	262.4	296.5	339.6	379.5	423.6	458.1	508.5	533.8
Power input (2)	kW	100.3	108.8	128.6	148.4	152.1	169.5	186.0	199.4
EER		2.6	2.7	2.6	2.6	2.8	2.7	2.7	2.7
Number of refrigerant circuits		2	2	2	2	2	2	2	2
Capacity steps	%	25-50-63-75-87-100							
COMPRESSORS									
Number		2	2	2	2	2	2	2	2
Type		Screw							
EVAPORATORS									
Number		1	1	1	1	1	1	1	1
Type		Plate							
Water content per evaporator	litres	26	26	33	40	40	40	50	50
CONDENSERS									
Number of coils		4	4	4	4	4	4	4	4
Face area per coil	m ²	4	4	4	4	4	4	6	6
Number of rows		3	3	3	3	4	4	3	3
FANS									
Number of fans		4	6	6	8	8	8	8	8
Nominal fan speed	rpm	900	900	900	900	900	900	900	900
Total air flow	m ³ /h	95 000	134 000	134 000	160 000	150 000	150 000	183 000	183 000
Total power	kW	8.0	12.0	12.0	16.0	16.0	16.0	16.0	16.0
WEIGHT									
Shipping weight	kg	3430	3850	3890	3960	4390	4760	5480	5840
Operating weight	kg	3456	3876	3923	4000	4430	4800	5530	5890
SOUND LEVELS									
Sound power levels (3)	dB(A)	96.0	97.0	97.0	98.0	98.0	98.0	98.0	98.0
Sound pressure levels at 10 m (4)	dB(A)	64.0	65.0	65.0	66.0	66.0	66.0	66.0	66.0
DIMENSIONS (5)									
Length	mm	4000	4000	4000	4000	4000	4000	6000	6000
Width	mm	2200	2200	2200	2200	2200	2200	2200	2200
Height	mm	2550	2550	2550	2550	2550	2550	2550	2550

(1) Data based on leaving chilled water temperature of 7 °C and condenser leaving water temperature of 35 °C.

(2) Data given for compressors only.

(3) Sound levels given at fully loaded conditions. Sound power level values refer to ISO 3744 and Eurovent 8/1.

(4) Sound pressure level values refer to ISO 3744.

(5) Indicative data. Always refer to dimensions indicated on the drawing.

Physical Data - SLS 2602 to 4004 - BLN Version

SLS BLN models		2602	3002	3402	3802	4202	3804	4004
Nominal cooling capacity (1)	kW	595.6	649.8	716.3	779.9	882.1	846.9	916.2
Power input (2)	kW	214.8	236.6	260.1	293.1	339.0	304.3	339.1
EER		2.8	2.7	2.8	2.7	2.6	2.8	2.7
Number of refrigerant circuits		2	2	2	2	2	4	4
Capacity steps	%	25-50-63-75-87-100					12 steps	
COMPRESSORS								
Number		2	2	2	2	2	4	4
Type		Screw						
EVAPORATORS								
Number		1	1	1	1	1	2	2
Type		Plate	Shell & tube				Plate	
Water content per evaporator	litres	50	207	207	222	222	40	40
CONDENSERS								
Number of coils		4	4	4	8	8	8	8
Face area per coil	m ²	6	6	6	4	4	4	4
Number of rows		4	4	4	4	4	4	4
FANS								
Number of fans		8	10	12	12	14	16	16
Nominal fan speed	rpm	900	900	900	900	900	900	900
Total air flow	m ³ /h	178 000	204 000	228 000	248 000	273 000	298 000	298 000
Total power	kW	16.0	20.0	24.0	24.0	28.0	32.0	32.0
WEIGHT								
Shipping weight	kg	6110	6470	6610	8740	8850	8780	9520
Operating weight	kg	6160	6677	6817	8962	9072	8860	9620
SOUND LEVELS								
Sound power levels (3)	dB(A)	98.0	99.0	100.0	100.0	100.0	101.0	101.0
Sound pressure levels at 10 m (4)	dB(A)	66.0	67.0	68.0	68.0	68.0	69.0	69.0
DIMENSIONS (5)								
Length	mm	6000	6000	6000	8000	8000	8000	8000
Width	mm	2200	2200	2200	2200	2200	2200	2200
Height	mm	2550	2550	2550	2550	2550	2550	2550

(1) Data based on leaving chilled water temperature of 7 °C and condenser leaving water temperature of 35 °C.

(2) Data given for compressors only.

(3) Sound levels given at fully loaded conditions. Sound power level values refer to ISO 3744 and Eurovent 8/1.

(4) Sound pressure level values refer to ISO 3744.

(5) Indicative data. Always refer to dimensions indicated on the drawing.

Physical Data - SLS 1202 to 2402 - LN Version

SLS LN models		1202	1402	1602	1802	1902	2002	2202	2402
Nominal cooling capacity (1)	kW	246.9	286.4	326.0	363.5	405.8	434.2	486.7	505.6
Power input (2)	kW	106.9	113.3	134.4	156.8	159.5	179.1	195.1	212.4
EER		2.3	2.5	2.4	2.3	2.5	2.4	2.5	2.4
Number of refrigerant circuits		2	2	2	2	2	2	2	2
Capacity steps	%	25-50-63-75-87-100							
COMPRESSORS									
Number		2	2	2	2	2	2	2	2
Type		Screw							
EVAPORATOR									
Number		1	1	1	1	1	1	1	1
Type		Plate							
Water content per evaporator	litres	26	26	33	40	40	40	50	50
CONDENSERS									
Number of coils		4	4	4	4	4	4	4	4
Face area per coil	m ²	4	4	4	4	4	4	6	6
Number of rows		3	3	3	3	4	4	3	3
FANS									
Number of fans		4	6	6	8	8	8	8	8
Nominal fan speed	rpm	700	700	700	700	700	700	700	700
Total air flow	m ³ /h	67 000	94 000	94 000	112 500	105 000	105 000	128 000	128 000
Total power	kW	8.0	12.0	12.0	16.0	16.0	16.0	16.0	16.0
WEIGHT									
Shipping weight	kg	3430	3850	3890	3960	4390	4760	5480	5840
Operating weight	kg	3456	3876	3923	4000	4430	4800	5530	5890
SOUND LEVELS									
Sound power levels (3)	dB(A)	91.0	92.0	92.0	92.0	92.0	92.0	92.0	92.0
Sound pressure levels at 10 m (4)	dB(A)	59.0	60.0	60.0	60.0	60.0	60.0	60.0	60.0
DIMENSIONS (5)									
Length	mm	4000	4000	4000	4000	4000	4000	6000	6000
Width	mm	2200	2200	2200	2200	2200	2200	2200	2200
Height	mm	2550	2550	2550	2550	2550	2550	2550	2550

(1) Data based on leaving chilled water temperature of 7 °C and condenser leaving water temperature of 35 °C.

(2) Data given for compressors only.

(3) Sound levels given at fully loaded conditions. Sound power level values refer to ISO 3744 and Eurovent 8/1.

(4) Sound pressure level values refer to ISO 3744.

(5) Indicative data. Always refer to dimensions indicated on the drawing.

Physical Data - SLS 2602 to 4004 - LN Version

SLS LN models		2602	3002	3402	3802	4202	3804	4004
Nominal cooling capacity (1)	kW	567.6	625.9	687.6	737.9	826.3	811.4	868.4
Power input (2)	kW	226.9	247.5	273.2	312.2	356.8	319.3	358.3
EER		2.5	2.5	2.5	2.4	2.3	2.5	2.4
Number of refrigerant circuits		2	2	2	2	2	4	4
Capacity steps	%	25-50-63-75-87-100					12 steps	
COMPRESSORS								
Number		2	2	2	2	2	4	4
Type		Screw						
EVAPORATOR								
Number		1	1	1	1	1	2	2
Type		Plate	Shell & tube				Plate	
Water content per evaporator	litres	50	207	207	222	222	40	40
CONDENSERS								
Number of coils		4	4	4	8	8	8	8
Face area per coil	m ²	6	6	6	4	4	4	4
Number of rows		4	4	4	4	4	4	4
FANS								
Number of fans		8	10	12	12	14	16	16
Nominal fan speed	rpm	700	700	700	700	700	700	700
Total air flow	m ³ /h	125 000	143 000	160 000	173 600	191 300	209 000	209 000
Total power	kW	16.0	20.0	24.0	24.0	28.0	32.0	32.0
WEIGHT								
Shipping weight	kg	6110	6470	6610	8740	8850	8780	9520
Operating weight	kg	6160	6677	6817	8962	9072	8860	9600
SOUND LEVELS								
Sound power levels (3)	dB(A)	92.0	93.0	94.0	94.0	94.0	95.0	95.0
Sound pressure levels at 10 m (4)	dB(A)	60.0	61.0	62.0	62.0	62.0	63.0	63.0
DIMENSIONS (5)								
Length	mm	6000	6000	6000	8000	8000	8000	8000
Width	mm	2200	2200	2200	2200	2200	2200	2200
Height	mm	2550	2550	2550	2550	2550	2550	2550

(1) Data based on leaving chilled water temperature of 7 °C and condenser leaving water temperature of 35 °C.

(2) Data given for compressors only.

(3) Sound levels given at fully loaded conditions. Sound power level values refer to ISO 3744 and Eurovent 8/1.

(4) Sound pressure level values refer to ISO 3744.

(5) Indicative data. Always refer to dimensions indicated on the drawing.

Physical Data - SLS 1202 to 2402 - ELN Version

SLS ELN models		1202	1402	1602	1802	1902	2002	2202	2402
Nominal cooling capacity (1)	kW	246.9	281.3	328.7	361.7	398.2	437.5	479.2	510.5
Power input (2)	kW	106.9	115.7	133.3	157.7	162.8	177.8	198.3	210.1
EER		2.3	2.4	2.5	2.3	2.4	2.5	2.4	2.4
Number of refrigerant circuits		2	2	2	2	2	2	2	2
Capacity steps	%	25-50-63-75-87-100							
COMPRESSORS									
Number		2	2	2	2	2	2	2	2
Type		Screw							
Evaporators									
Number		1	1	1	1	1	1	1	1
Type		Plate							
Water content per evaporator	litres	26	26	33	40	40	40	50	50
CONDENSERS									
Number of coils		4	4	4	4	4	4	4	4
Face area per coil	m ²	4	4	4	4	6	6	6	6
Number of rows		3	4	4	4	3	3	4	4
FANS									
Number of fans		6	6	8	8	8	10	8	10
Nominal fan speed	rpm	500	500	500	550	500	500	500	500
Total air flow	m ³ /h	67 000	62 000	75 000	81 900	91 500	108 400	89 000	102 000
Total power	kW	7.5	7.5	10.0	10.0	10.0	12.5	10.0	12.5
WEIGHT									
Shipping weight	kg	3500	4050	4160	4160	5320	5770	5730	6160
Operating weight	kg	3526	4076	4193	4200	5360	5810	5780	6210
SOUND LEVELS									
Sound power levels (3)	dB(A)	88	88	89	89	89	89	89	89
Sound pressure levels at 10 m (4)	dB(A)	56	56	57	57	57	57	57	57
DIMENSIONS (5)									
Length	mm	4000	4000	4000	4000	6000	6000	6000	6000
Width	mm	2200	2200	2200	2200	2200	2200	2200	2200
Height	mm	2550	2550	2550	2550	2550	2550	2550	2550

(1) Data based on leaving chilled water temperature of 7 °C and condenser leaving water temperature of 35 °C.

(2) Data given for compressors only.

(3) Sound levels given at fully loaded conditions. Sound power level values refer to ISO 3744 and Eurovent 8/1.

(4) Sound pressure level values refer to ISO 3744.

(5) Indicative data. Always refer to dimensions indicated on the drawing.

Physical Data - SLS 2602 to 4004 - ELN Version

SLS ELN models		2602	3002	3402	3802	4202	3804	4004
Nominal cooling capacity (1)	kW	559.0	612.5	687.4	731.5	810.0	802.1	869.3
Power input (2)	kW	230.7	253.8	273.3	315.2	352.8	323.3	358.0
EER		2.4	2.4	2.5	2.3	2.3	2.5	2.4
Number of refrigerant circuits		2	2	2	2	2	4	4
Capacity steps	%	25-50-63-75-87-100					12 steps	
COMPRESSORS								
Number		2	2	2	2	2	4	4
Type		Screw						
EVAPORATORS								
Number		1	1	1	1	1	2	2
Type		Plate	Shell & tube				Plate	
Water content per evaporator	litres	50	207	207	222	222	40	40
CONDENSERS								
Number of coils		4	4	4	8	8	8	8
Face area per coil	m ²	6	6	6	4	4	4	4
Number of rows		5	5	5	5	5	5	5
FANS								
Number of fans		10	12	12	14	16	16	16
Nominal fan speed	rpm	500	500	600	600	600	600	650
Total air flow	m ³ /h	97 000	110 000	131 500	145 200	166 000	166 000	180 000
Total power	kW	12.5	15.0	15.0	17.5	20.0	20.0	20.0
WEIGHT								
Shipping weight	kg	6390	6750	6820	9260	9380	9230	9970
Operating weight	kg	6440	6957	7027	9482	9602	9310	10050
SOUND LEVELS								
Sound power levels (3)	dB(A)	89	90	92	92	93	93	94
Sound pressure levels at 10 m (4)	dB(A)	57	58	60	60	61	61	62
DIMENSIONS (5)								
Length	mm	6000	6000	6000	8000	8000	8000	8000
Width	mm	2200	2200	2200	2200	2200	2200	2200
Height	mm	2550	2550	2550	2550	2550	2550	2550

(1) Data based on leaving chilled water temperature of 7 °C and condenser leaving water temperature of 35 °C.

(2) Data given for compressors only.

(3) Sound levels given at fully loaded conditions. Sound power level values refer to ISO 3744 and Eurovent 8/1.

(4) Sound pressure level values refer to ISO 3744.

(5) Indicative data. Always refer to dimensions indicated on the drawing.

Physical Data - SLS 1202 to 2402 - HET Version

SLS HET models		1202	1402	1602	1802	1902	2002	2202	2402
Nominal cooling capacity (1)	kW	269.4	304.5	355.5	391.8	432.5	477.3	528.1	565.6
Power input (2)	kW	97.3	105.2	121.7	142.0	148.3	162.1	177.7	185.3
EER		2.8	2.9	2.9	2.8	2.9	2.9	3.0	3.1
Number of refrigerant circuits		2	2	2	2	2	2	2	2
Capacity steps	%	25-50-63-75-87-100							
COMPRESSORS									
Number		2	2	2	2	2	2	2	2
Type		Screw							
EVAPORATORS									
Number		1	1	1	1	1	1	1	1
Type		Plate							
Water content per evaporator	litres	26	26	33	40	40	40	50	50
CONDENSERS									
Number of coils		4	4	4	4	4	4	4	4
Face area per coil	m ²	4	4	4	4	6	6	6	6
Number of rows		3	4	4	4	3	3	4	4
FANS									
Number of fans		6	6	8	8	8	10	8	10
Nominal fan speed	rpm	900	900	900	900	900	900	900	900
Total air flow	m ³ /h	134 000	124 000	150 000	150 000	183 000	216 800	178 000	204 000
Total power	kW	12.0	12.0	16.0	16.0	16.0	20.0	16.0	20.0
WEIGHT									
Shipping weight	kg	3500	4050	4160	4160	5320	5770	5730	6160
Operating weight	kg	3526	4076	4193	4200	5360	5810	5780	6210
SOUND LEVELS									
Sound power levels (3)	dB(A)	97	97	98	98	98	98	98	98
Sound pressure levels at 10 m (4)	dB(A)	65	65	66	66	66	66	66	66
DIMENSIONS (5)									
Length	mm	4000	4000	4000	4000	6000	6000	6000	6000
Width	mm	2200	2200	2200	2200	2200	2200	2200	2200
Height	mm	2550	2550	2550	2550	2550	2550	2550	2550

(1) Data based on leaving chilled water temperature of 7 °C and condenser leaving water temperature of 35 °C.

(2) Data given for compressors only.

(3) Sound levels given at fully loaded conditions. Sound power level values refer to ISO 3744 and Eurovent 8/1.

(4) Sound pressure level values refer to ISO 3744.

(5) Indicative data. Always refer to dimensions indicated on the drawing.

Physical Data - SLS 2602 to 4004 - HET Version

SLS HET models		2602	3002	3402	3802	4202	3804	4004
Nominal cooling capacity (1)	kW	618.7	673.7	732.9	796.5	879.4	858.8	937.2
Power input (2)	kW	205.0	226.0	252.4	285.9	324.1	299.3	331.0
EER		3.0	3.0	2.9	2.8	2.7	2.9	2.8
Number of refrigerant circuits		2	2	2	2	2	4	4
Capacity steps	%	25-50-63-75-87-100					12 steps	
COMPRESSORS								
Number		2	2	2	2	2	4	4
Type		Screw						
EVAPORATORS								
Number		1	1	1	1	1	2	2
Type		Plate	Shell & tube				Plate	
Water content per evaporator	litres	50	207	207	222	222	40	40
CONDENSERS								
Number of coils		4	4	4	8	8	8	8
Face area per coil	m ²	6	6	6	4	4	4	4
Number of rows		5	5	5	5	5	5	5
FANS								
Number of fans		10	12	12	14	16	16	16
Nominal fan speed	rpm	900	900	900	900	900	900	900
Total air flow	m ³ /h	194 000	219 000	219 000	242 400	277 000	277 000	277 000
Total power	kW	20.0	24.0	24.0	28.0	32.0	32.0	32.0
WEIGHT								
Shipping weight	kg	6390	6750	6820	9260	9380	9230	9970
Operating weight	kg	6440	6957	7027	9482	9602	9310	10050
SOUND LEVELS								
Sound power levels (3)	dB(A)	98	100	100	100	101	101	101
Sound pressure levels at 10 m (4)	dB(A)	66	68	68	68	69	69	69
DIMENSIONS (5)								
Length	mm	6000	6000	6000	8000	8000	8000	8000
Width	mm	2200	2200	2200	2200	2200	2200	2200
Height	mm	2550	2550	2550	2550	2550	2550	2550

(1) Data based on leaving chilled water temperature of 7 °C and condenser leaving water temperature of 35 °C.

(2) Data given for compressors only.

(3) Sound levels given at fully loaded conditions. Sound power level values refer to ISO 3744 and Eurovent 8/1.

(4) Sound pressure level values refer to ISO 3744.

(5) Indicative data. Always refer to dimensions indicated on the drawing.

Physical Data - SLS 1202 to 2202 with Total Heat Recovery

SLS models		1202	1402	1602	1802	1902	2002	2202	
Nominal cooling capacity (1)	kW	272.9	308.3	353.2	394.7	440.6	476.4	528.8	
Power input (1) (2)	kW	93.3	101.2	119.6	138.0	141.5	157.7	173.0	
Heat rejection (1)	kW	347.9	389.0	449.2	506.0	552.9	602.4	666.7	
EER		2.9	3.0	3.0	2.9	3.1	3.0	3.1	
Number of refrigerant circuits		2	2	2	2	2	2	2	
Number of capacity steps		6							
COMPRESSORS									
Number		2	2	2	2	2	2	2	
Type		Screw							
EVAPORATOR									
Number		1	1	1	1	1	1	1	
Type		Plate							
Water content per evaporator	litres	26	26	33	40	40	40	50	
Connection type		Male gas threaded							
Water connections diameter - Inlet/outlet	inch	3"	3"	3"	3"	3"	3"	3"	
HEAT RECOVERY CONDENSERS									
Number		2	2	2	2	2	2	2	
Type		Plate							Shell & tube
Water content per condenser	litres	15	19	19	23	25	25	32	
Connection type		Male gas threaded							Female gas threaded
Water connections diameter - Inlet/outlet	inch	2"	2"	2"	3"	3"	3"	3"	
WEIGHT									
Shipping weight	kg	3530	3970	4000	4290	4740	5110	6040	
Operating weight	kg	3590	4030	4070	4370	4830	5200	6150	
DIMENSIONS (3)									
Length	mm	4000	4000	4000	4000	4000	4000	6000	
Width	mm	2200	2200	2200	2200	2200	2200	2200	
Height	mm	2550	2550	2550	2550	2550	2550	2550	

(1) Data based on leaving chilled water temperature of 7 °C and condenser leaving water temperature of 45 °C.

(2) Data given for compressors only.

(3) Indicative data. Always refer to dimensions indicated on the drawing.

Physical Data - SLS 2402 to 4202 with Total Heat Recovery

SLS models		2402	2602	3002	3402	3802	4202
Nominal cooling capacity (1)	kW	555.2	619.4	675.7	744.9	811.1	917.4
Power input (1) (2)	kW	185.4	199.8	220.1	241.9	272.6	315.3
Heat rejection (1)	kW	703.6	778.3	851.0	937.4	1029.5	1171.0
EER		3.0	3.1	3.1	3.1	3.0	2.9
Number of refrigerant circuits		2	2	2	2	2	2
Number of capacity steps		6					
COMPRESSORS							
Number		2	2	2	2	2	2
Type		Screw					
EVAPORATOR							
Number		1	1	1	1	1	1
Type		Plate		Shell & tube			
Water content per evaporator	litres	50	50	207	207	222	222
Connection type		Male gas threaded		To be welded			
Water connections diameter - Inlet/outlet	inch	3"	3"	8"	8"	8"	8"
HEAT RECOVERY CONDENSERS							
Number		2	2	2	2	2	2
Type		Shell & tube					
Water content per condenser	litres	34	36	36	36	48	48
Connection type		Female gas threaded					
Water connections diameter - Inlet/outlet	inch	3"	3"	3"	3"	4"	4"
WEIGHT							
Shipping weight	kg	6410	6690	7060	7240	9490	9600
Operating weight	kg	6530	6820	7330	7500	9810	9920
DIMENSIONS (3)							
Length	mm	6000	6000	6000	6000	8000	8000
Width	mm	2200	2200	2200	2200	2200	2200
Height	mm	2550	2550	2550	2550	2550	2550

(1) Data based on leaving chilled water temperature of 7 °C and condenser leaving water temperature of 45 °C.

(2) Data given for compressors only.

(3) Indicative data. Always refer to dimensions indicated on the drawing.

Electrical Data - SLS 1202 to 2002

Compressors electrical data

SLS models	Circuits	Starting type	Power input at nominal conditions (kW)	Current input at nominal conditions (A)	Power input at max. conditions (kW)	Current input at max. conditions FLA (A)	Starting current LRA (A)	Crankcase heater 230 V/1 Ph (W)	Nominal power factor
1202	1	P / W	49	87	58	96	373	200	0.81
	2	P / W	49	87	58	96	373	200	0.81
1402	1	P / W	57	102	68	124	280	200	0.81
	2	P / W	57	102	68	124	280	200	0.81
1602	1	P / W	65	116	77	140	351	200	0.81
	2	P / W	65	116	77	140	351	200	0.81
1802	1	P / W	75	134	96	162	423	200	0.81
	2	P / W	75	134	96	162	423	200	0.81
1902	1	P / W	79	140	94	168	495	200	0.81
	2	P / W	79	140	94	168	495	200	0.81
2002	1	P / W	87	155	110	180	520	300	0.81
	2	P / W	87	155	110	180	520	300	0.81

Fan electrical data

SLS models		1202	1402	1602	1802	1902	2002
Number of fans		4	6	6	8	8	8
Standard fans - BLN & LN versions							
Nominal power per fan	kW	2	2	2	2	2	2
Maximum running current	A	4	4	4	4	4	4
Total power	kW	8.0	12.0	12.0	16.0	16.0	16.0
Total maximum current	A	16.0	24.0	24.0	32.0	32.0	32.0

SLS models		1202	1402	1602	1802	1902	2002
Number of fans		6	6	8	8	8	10
Standard fans - ELN versions							
Nominal power per fan	kW	1.25	1.25	1.25	1.25	1.25	1.25
Maximum running current	A	2.3	2.3	2.3	2.3	2.3	2.3
Total power	kW	7.5	7.5	10.0	10.0	10.0	12.5
Total maximum current	A	13.8	13.8	18.4	18.4	18.4	23.0

SLS models		1202	1402	1602	1802	1902	2002
Number of fans		6	6	8	8	8	10
Standard fans - HET version							
Nominal power per fan	kW	2	2	2	2	2	2
Maximum running current	A	4	4	4	4	4	4
Total power	kW	12.0	12.0	16.0	16.0	16.0	20.0
Total maximum current	A	24.0	24.0	32.0	32.0	32.0	40.0

Unit electrical data

SLS BLN & LN models		1202	1402	1602	1802	1902	2002
Nominal current input	A	190.8	227.0	256.3	300.0	312.5	342.0
Maximum current input	A	208.0	272.0	304.0	356.0	368.0	392.0
Nominal power input	kW	106.0	125.8	142.2	166.0	173.2	190.0
Maximum power input	kW	124.6	147.4	166.8	166.0	203.0	236.0
Maximum starting current	A	456.2	390.8	473.0	568.0	644.6	678.0
Unit aM fuses	A	315	315	315	400	400	400
Phase cable cross section	mm ²	240	240	240	2 x 120	2 x 120	2 x 120

Models		SLS ELN						SLS HET					
		1202	1402	1602	1802	1902	2002	1202	1402	1602	1802	1902	2002
Nominal current input	A	188.6	216.8	250.7	286.0	298.9	333.0	198.8	227.0	264.3	312.0	312.5	350.0
Maximum current input	A	205.8	261.8	298.4	342.0	354.4	383.0	216.0	272.0	312.0	368.0	368.0	400.0
Nominal power input	kW	105.5	121.3	140.2	160.0	167.2	187.0	110.0	125.8	146.2	173.0	173.2	194.0
Maximum power input	kW	124.1	142.9	164.8	202.0	197.0	233.0	128.6	147.4	170.8	203.0	203.0	240.0
Maximum starting current	A	454.0	380.6	467.4	555.0	631.0	669.0	464.2	390.8	481.0	645.0	644.6	686.0
Unit aM fuses	A	315	315	315	400	400	400	315	315	315	400	400	500
Phase cable cross section	mm ²	240	240	240	2 x 120	2 x 120	2 x 120	240	240	240	2 x 120	2 x 120	2 x 150

Electrical Data - SLS 2202 to 3402

Compressors electrical data

SLS models	Circuits	Starting type	Power input at nominal conditions (kW)	Current input at nominal conditions (A)	Power input at max. conditions (kW)	Current input at max. conditions FLA (A)	Starting current LRA (A)	Crankcase heater 230 V/1 Ph (W)	Nominal power factor
2202	1	Y/Δ	94.6	168.8	112.6	196.0	276.0	200.0	0.81
	2	Y/Δ	94.6	168.8	112.6	196.0	276.0	200.0	0.81
2402	1	Y/Δ	102.0	182.0	132.0	216.0	314.0	300.0	0.81
	2	Y/Δ	102.0	182.0	132.0	216.0	314.0	300.0	0.81
2602	1	Y/Δ	111.3	198.6	132.3	225.0	354.0	275.0	0.81
	2	Y/Δ	111.3	198.6	132.3	225.0	354.0	275.0	0.81
3002	1	Y/Δ	123.2	219.8	146.6	245.0	374.0	275.0	0.81
	2	Y/Δ	123.2	219.8	146.6	245.0	374.0	275.0	0.81
3402	1	Y/Δ	134.5	240.0	158.4	270.0	453.0	275.0	0.81
	2	Y/Δ	134.5	240.0	158.4	270.0	453.0	275.0	0.81

Fan electrical data

SLS models	2202	2402	2602	3002	3402	
Number of fans	8	8	8	10	12	
Standard fans - BLN & LN versions						
Nominal power per fan	kW	2	2	2	2	
Maximum running current	A	4	4	4	4	
Total power	kW	16.0	16.0	16.0	20.0	24.0
Total maximum current	A	32.0	32.0	32.0	40.0	48.0

SLS models	2202	2402	2602	3002	3402	
Number of fans	8	10	10	12	12	
Standard fans - ELN version						
Nominal power per fan	kW	1.25	1.25	1.25	1.25	1.25
Maximum running current	A	2.3	2.3	2.3	2.3	2.3
Total power	kW	10.0	12.5	12.5	15.0	15.0
Total maximum current	A	18.4	23.0	23.0	27.6	27.6

SLS models	2202	2402	2602	3002	3402	
Number of fans	8	10	10	12	12	
Standard fans - HET version						
Nominal power per fan	kW	2	2	2	2	2
Maximum running current	A	4	4	4	4	4
Total power	kW	16.0	20.0	20.0	24.0	24.0
Total maximum current	A	32.0	40.0	40.0	48.0	48.0

Unit electrical data

SLS BLN & LN models	2202	2402	2602	3002	3402	
Nominal current input	A	369.5	395.9	429.1	479.6	527.9
Maximum current input	A	424.0	464.0	482.0	530.0	588.0
Nominal power input	kW	205.2	220.0	238.6	266.4	293.0
Maximum power input	kW	241.2	280.0	280.6	313.2	340.8
Maximum starting current	A	445.2	497.2	543.5	585.5	690.0
Unit aM fuses	A	500	500	630	630	630
Phase cable cross section	mm ²	2 x 150	2 x 150	2 x 185	2 x 185	2 x 185

Models		SLS ELN					SLS HET				
		2202	2402	2602	3002	3402	2202	2402	2602	3002	3402
Nominal current input	A	355.9	386.9	420.1	467.2	507.5	369.5	403.9	437.1	487.6	527.9
Maximum current input	A	410.4	455.0	473.0	517.6	567.6	424.0	472.0	490.0	538.0	588.0
Nominal power input	kW	199.2	216.5	235.1	261.4	284.0	205.2	224.0	242.6	270.4	293.0
Maximum power input	kW	235.2	276.5	277.1	308.2	331.8	241.2	284.0	284.6	317.2	340.8
Maximum starting current	A	431.6	488.2	534.5	573.1	669.6	445.2	505.2	551.5	593.5	690.0
Unit aM fuses	A	500	500	630	630	630	500	500	630	630	630
Phase cable cross section	mm ²	2 x 150	2 x 150	2 x 185	2 x 185	2 x 185	2 x 150	2 x 150	2 x 185	2 x 185	2 x 185

Electrical Data - SLS 3802, 4202, 3804 and 4004

Compressors electrical data

SLS models	Circuits	Starting type	Power input at nominal conditions (kW)	Current input at nominal conditions (A)	Power input at max. conditions (kW)	Current input at max. conditions FLA (A)	Starting current LRA (A)	Crankcase heater 230 V/1 Ph (W)	Nominal power factor
3802	1	Y/Δ	147	252	205	330	465	300	0.84
	2	Y/Δ	147	252	205	330	465	300	0.84
4202	1	Y/Δ	177	304	246	370	586	300	0.84
	2	Y/Δ	177	304	246	370	586	300	0.84
3804	1	P / W	79	140	94	168	495	200	0.81
	2	P / W	79	140	94	168	495	200	0.81
	3	P / W	79	140	94	168	495	200	0.81
	4	P / W	79	140	94	168	495	200	0.81
4004	1	P / W	87	150	110	180	520	300	0.84
	2	P / W	87	150	110	180	520	300	0.84
	3	P / W	87	150	110	180	520	300	0.84
	4	P / W	87	150	110	180	520	300	0.84

Fan electrical data

SLS models		3802	4202	3804	4004
Number of fans		12	14	16	16
Standard fans - BLN & LN versions					
Nominal power per fan	kW	2	2	2	2
Maximum running current	A	4	4	4	4
Total power	kW	24.0	28.0	32.0	32.0
Total maximum current	A	48.0	56.0	64.0	64.0

SLS models		3802	4202	3804	4004
Number of fans		14	16	16	16
Standard fans - ELN version					
Nominal power per fan	kW	1.25	1.25	1.25	1.25
Maximum running current	A	2.3	2.3	2.3	2.3
Total power	kW	17.5	20.0	20.0	20.0
Total maximum current	A	32.2	36.8	36.8	36.8

SLS models		3802	4202	3804	4004
Number of fans		14	16	16	16
Standard fans - HET version					
Nominal power per fan	kW	2	2	2	2
Maximum running current	A	4	4	4	4
Total power	kW	28.0	32.0	32.0	32.0
Total maximum current	A	56.0	64.0	64.0	64.0

Unit electrical data

SLS BLN & LN models		3802	4202	3804	4004
Nominal current input	A	552.1	663.3	624.0	662.0
Maximum current input	A	708.0	796.0	736.0	784.0
Nominal power input	kW	317.0	381.0	346.0	380.0
Maximum power input	kW	434.0	520.0	406.0	472.0
Maximum starting current	A	744.0	901.0	912.0	962.0
Unit aM fuses	A	800	1000	400 + 400	400 + 400
Phase cable cross section	mm ²	2 x 300	2 x 300	2 x 120 + 2 x 120	2 x 120 + 2 x 120

Models		SLS ELN				SLS HET			
		3802	4202	3804	4004	3802	4202	3804	4004
Nominal current input	A	536.3	644.1	598.0	636.0	560.1	671.3	624.0	700.0
Maximum current input	A	692.2	776.8	709.0	757.0	716.0	804.0	736.0	800.0
Nominal power input	kW	310.5	373.0	334.0	368.0	321.0	385.0	346.0	388.0
Maximum power input	kW	427.5	512.0	394.0	460.0	438.0	524.0	406.0	480.0
Maximum starting current	A	728.2	881.8	885.0	935.0	752.0	909.0	912.0	962.0
Unit aM fuses	A	800	1000	400 + 400	400 + 400	800	1000	400 + 400	500 + 500
Phase cable cross section	mm ²	2 x 300	2 x 300	2 x 120 + 2 x 120	2 x 120 + 2 x 120	2 x 300	2 x 300	2 x 120 + 2 x 120	2 x 150 + 2 x 150

Sound Data

SLS 1202 to 4004 - BLN Version

SLS models	Frequencies(Hz)							Lw global dB(A)	Lp global dB(A) *
	125	250	500	1000	2000	4000	8000		
1202	90.0	89.0	96.8	90.5	85.0	69.5	58.3	96	64
1402	91.0	90.0	97.8	91.5	86.0	70.5	59.3	97	65
1602	91.0	90.0	97.8	91.5	86.0	70.5	59.3	97	65
1802	92.0	91.0	98.8	92.5	87.0	71.5	60.3	98	66
1902	92.0	91.0	98.8	92.5	87.0	71.5	60.3	98	66
2002	92.0	91.0	98.8	92.5	87.0	71.5	60.3	98	66
2202	92.0	91.0	98.8	92.5	87.0	71.5	60.3	98	66
2402	92.0	91.0	98.8	92.5	87.0	71.5	60.3	98	66
2602	92.0	91.0	98.8	92.5	87.0	71.5	60.3	98	66
3002	93.0	92.0	99.8	93.5	88.0	72.5	61.3	99	67
3402	94.0	93.0	100.8	94.5	89.0	73.5	62.3	100	68
3802	94.0	93.0	100.8	94.5	89.0	73.5	62.3	100	68
4202	94.0	93.0	100.8	94.5	89.0	73.5	62.3	100	68
3804	95.0	94.0	101.8	95.5	90.0	74.5	63.3	101	69
4004	95.0	94.0	101.8	95.5	90.0	74.5	63.3	101	69

(*) Sound pressure levels given at 10 meters in free field conditions according to ISO 3744.

SLS 1202 to 4004 - LN Version

SLS models	Frequencies (Hz)							Lw global dB(A)	Lp global dB(A) *
	125	250	500	1000	2000	4000	8000		
1202	85.0	84.0	91.8	85.5	80.0	64.5	53.3	91	59
1402	86.0	85.0	92.8	86.5	81.0	65.5	54.3	92	60
1602	86.0	85.0	92.8	86.5	81.0	65.5	54.3	92	60
1802	86.0	85.0	92.8	86.5	81.0	65.5	54.3	92	60
1902	86.0	85.0	92.8	86.5	81.0	65.5	54.3	92	60
2002	86.0	85.0	92.8	86.5	81.0	65.5	54.3	92	60
2202	86.0	85.0	92.8	86.5	81.0	65.5	54.3	92	60
2402	86.0	85.0	92.8	86.5	81.0	65.5	54.3	92	60
2602	86.0	85.0	92.8	86.5	81.0	65.5	54.3	92	60
3002	87.0	86.0	93.8	87.5	82.0	66.5	55.3	93	61
3402	88.0	87.0	94.8	88.5	83.0	67.5	56.3	94	62
3802	88.0	87.0	94.8	88.5	83.0	67.5	56.3	94	62
4202	88.0	87.0	94.8	88.5	83.0	67.5	56.3	94	62
3804	89.0	88.0	95.8	89.5	84.0	68.5	57.3	95	63
4004	89.0	88.0	95.8	89.5	84.0	68.5	57.3	95	63

(*) Sound pressure levels given at 10 meters in free field conditions according to ISO 3744.

Sound Data (continued)

SLS 1202 to 4004 - ELN Version

SLS models	Frequencies (Hz)							Lw global dB(A)	Lp global dB(A) *
	125	250	500	1000	2000	4000	8000		
1202	82.3	81.3	89.1	82.8	77.3	61.8	50.6	88	56
1402	82.3	81.3	89.1	82.8	77.3	61.8	50.6	88	56
1602	82.7	81.7	89.5	83.2	77.7	62.2	51.0	89	57
1802	82.7	81.7	89.5	83.2	77.7	62.2	51.0	89	57
1902	82.7	81.7	89.5	83.2	77.7	62.2	51.0	89	57
2002	82.7	81.7	89.5	83.2	77.7	62.2	51.0	89	57
2202	82.7	81.7	89.5	83.2	77.7	62.2	51.0	89	57
2402	82.7	81.7	89.5	83.2	77.7	62.2	51.0	89	57
2602	83.0	82.0	89.8	83.5	78.0	62.5	51.3	89	57
3002	84.0	83.0	90.8	84.5	79.0	63.5	52.3	90	58
3402	86.0	85.0	92.8	86.5	81.0	65.5	54.3	92	60
3802	86.0	85.0	92.8	86.5	81.0	65.5	54.3	92	60
4202	87.0	86.0	93.8	87.5	82.0	66.5	55.3	93	61
3804	87.0	86.0	93.8	87.5	82.0	66.5	55.3	93	61
4004	88.0	87.0	94.8	88.5	83.0	67.5	56.3	94	62

(*) Sound pressure levels given at 10 meters in free field conditions according to ISO 3744.

SLS 1202 to 4004 - HET Version

SLS models	Frequencies (Hz)							Lw global dB(A)	Lp global dB(A) *
	125	250	500	1000	2000	4000	8000		
1202	90.7	89.7	97.5	91.2	85.7	70.2	59.0	97	65
1402	90.7	89.7	97.5	91.2	85.7	70.2	59.0	97	65
1602	92.0	91.0	98.8	92.5	87.0	71.5	60.3	98	66
1802	92.0	91.0	98.8	92.5	87.0	71.5	60.3	98	66
1902	92.0	91.0	98.8	92.5	87.0	71.5	60.3	98	66
2002	92.0	91.0	98.8	92.5	87.0	71.5	60.3	98	66
2202	92.0	91.0	98.8	92.5	87.0	71.5	60.3	98	66
2402	92.0	91.0	98.8	92.5	87.0	71.5	60.3	98	66
2602	92.0	91.0	98.8	92.5	87.0	71.5	60.3	98	66
3002	94.0	93.0	100.8	94.5	89.0	73.5	62.3	100	68
3402	94.0	93.0	100.8	94.5	89.0	73.5	62.3	100	68
3802	94.0	93.0	100.8	94.5	89.0	73.5	62.3	100	68
4202	95.0	94.0	101.8	95.5	90.0	74.5	63.3	101	69
3804	95.0	91.0	98.8	92.5	87.0	71.5	60.3	101	69
4004	95.0	91.0	98.8	92.5	87.0	71.5	60.3	101	69

(*) Sound pressure levels given at 10 meters in free field conditions according to ISO 3744.

Cooling Capacities - SLS BLN

SLS models	LWT (°C)	Condenser entering air temperature - °C													
		25		30		32		35		38		40		44	
		Cool. capa. (kW)	Power input (kW)	Cool. capa. (kW)	Power input (kW)	Cool. capa. (kW)	Power input (kW)	Cool. capa. (kW)	Power input (kW)	Cool. capa. (kW)	Power input (kW)	Cool. capa. (kW)	Power input (kW)	Cool. capa. (kW)	Power input (kW)
1202 BLN	5	283.1	81.4	263.8	89.8	256.5	93.2	245.7	98.0	235.7	102.9	229.1	106.1	216.5	112.5
	6	291.8	82.5	272.3	90.9	264.8	94.2	254.1	99.2	243.8	104.0	237.1	107.2	224.5	113.6
	7	300.7	83.6	281.0	91.9	273.4	95.3	262.4	100.3	252.1	105.1	245.2	108.3	232.4	114.7
	8	309.6	84.6	289.7	93.1	282.0	96.4	270.9	101.4	260.3	106.2	253.5	109.5		
	9	318.7	85.8	298.5	94.2	290.7	97.5	279.4	102.6	268.7	107.3	261.8	110.5		
	10	327.8	87.0	307.2	95.4	299.6	98.7	287.8	103.7	277.1	108.5	270.1	111.6		
	11	337.2	88.2	316.4	96.6	308.4	100.0	296.8	104.8	285.6	109.6	278.4	112.8		
	12	346.4	89.5	325.6	97.9	317.3	101.2	305.7	106.0	294.3	110.8	286.8	113.8		
	15	375.0	93.4	353.1	101.8	344.7	104.9	332.2	109.5	320.0	114.1				
1402 BLN	5	319.9	88.2	298.1	97.4	289.8	101.0	277.6	106.3	266.3	111.6	258.8	115.0	244.6	122.0
	6	329.6	89.5	307.6	98.6	299.2	102.2	287.1	107.5	275.5	112.7	267.9	116.2	253.7	123.2
	7	339.7	90.6	317.5	99.7	308.8	103.4	296.5	108.8	284.8	114.0	277.1	117.5	262.5	124.4
	8	349.8	91.7	327.3	100.9	318.6	104.5	306.0	109.9	294.1	115.2	286.4	118.7		
	9	360.0	93.1	337.2	102.2	328.5	105.7	315.7	111.2	303.6	116.3	295.8	119.8		
	10	370.4	94.3	347.1	103.5	338.5	107.1	325.2	112.5	313.0	117.7	305.1	121.1		
	11	380.9	95.6	357.4	104.8	348.5	108.4	335.3	113.7	322.7	118.9	314.5	122.3		
	12	391.4	97.0	367.9	106.1	358.4	109.7	345.4	114.9	332.5	120.1	324.1	123.4		
	15	423.7	101.3	399.0	110.4	389.4	113.8	375.4	118.8	361.5	123.7				
1602 BLN	5	366.4	104.3	341.5	115.2	332.0	119.4	318.1	125.7	305.1	131.9	296.5	135.9	280.2	144.2
	6	377.6	105.8	352.4	116.5	342.8	120.7	328.9	127.1	315.6	133.3	306.9	137.4	290.6	145.6
	7	389.2	107.1	363.7	117.8	353.8	122.2	339.6	128.6	326.3	134.7	317.4	138.9	300.8	147.0
	8	400.8	108.4	375.0	119.3	365.0	123.5	350.6	129.9	336.9	136.2	328.1	140.3		
	9	412.5	110.0	386.3	120.7	376.3	125.0	361.6	131.5	347.8	137.5	338.9	141.7		
	10	424.3	111.5	397.6	122.3	387.8	126.6	372.5	132.9	358.6	139.1	349.5	143.1		
	11	436.4	113.0	409.5	123.9	399.2	128.1	384.1	134.4	369.7	140.5	360.3	144.6		
	12	448.4	114.7	421.4	125.4	410.6	129.7	395.7	135.8	380.9	142.0	371.2	145.9		
	15	485.4	119.7	457.1	130.5	446.1	134.5	430.0	140.4	414.2	146.2				
1802 BLN	5	409.4	120.4	381.5	132.9	370.9	137.8	355.4	145.0	340.9	152.2	331.3	156.9	313.1	166.4
	6	421.9	122.1	393.7	134.4	383.0	139.3	367.4	146.7	352.6	153.8	342.9	158.6	324.7	168.0
	7	434.9	123.6	406.4	136.0	395.3	141.0	379.5	148.4	364.5	155.5	354.7	160.2	336.1	169.7
	8	447.8	125.1	419.0	137.7	407.8	142.6	391.7	149.9	376.5	157.1	366.6	161.9		
	9	460.9	127.0	431.7	139.3	420.5	144.2	404.1	151.7	388.7	158.7	378.6	163.5		
	10	474.1	128.6	444.3	141.1	433.3	146.0	416.3	153.4	400.7	160.5	390.6	165.1		
	11	487.6	130.4	457.5	143.0	446.1	147.9	429.2	155.1	413.1	162.2	402.6	166.8		
	12	501.0	132.4	470.9	144.8	458.8	149.7	442.1	156.8	425.6	163.9	414.8	168.4		
	15	542.4	138.2	510.7	150.6	498.5	155.2	480.5	162.0	462.8	168.8				
1902 BLN	5	457.0	123.4	425.9	136.2	414.1	141.3	396.7	148.7	380.5	156.1	369.8	160.8	349.5	170.6
	6	471.0	125.1	439.5	137.8	427.5	142.8	410.2	150.4	393.6	157.7	382.8	162.5	362.5	172.2
	7	485.4	126.7	453.6	139.4	441.3	144.6	423.6	152.1	406.9	159.4	395.9	164.3	375.1	173.9
	8	499.9	128.3	467.7	141.1	455.3	146.1	437.3	153.7	420.2	161.1	409.2	166.0		
	9	514.5	130.1	481.9	142.8	469.4	147.9	451.0	155.5	433.9	162.7	422.7	167.6		
	10	529.2	131.9	496.0	144.7	483.6	149.7	464.7	157.3	447.3	164.5	436.0	169.3		
	11	544.3	133.7	510.7	146.5	497.9	151.6	479.1	159.0	461.1	166.3	449.4	171.0		
	12	559.2	135.7	525.6	148.4	512.2	153.4	493.5	160.7	475.0	168.0	463.0	172.6		
	15	605.4	141.6	570.1	154.3	556.5	159.1	536.4	166.1	516.6	173.0				
2002 BLN	5	494.2	137.5	460.5	151.8	447.7	157.5	429.0	165.7	411.4	174.0	399.9	179.3	377.9	190.2
	6	509.3	139.5	475.3	153.6	462.3	159.2	443.5	167.6	425.6	175.7	413.9	181.2	392.0	191.9
	7	524.9	141.2	490.5	155.4	477.2	161.1	458.1	169.5	440.0	177.6	428.1	183.1	405.6	193.9
	8	540.5	143.0	505.8	157.3	492.3	162.9	472.8	171.3	454.4	179.6	442.5	185.0		
	9	556.3	145.1	521.0	159.2	507.5	164.8	487.7	173.4	469.1	181.3	457.0	186.8		
	10	572.2	147.0	536.3	161.3	523.0	166.9	502.4	175.3	483.7	183.4	471.4	188.7		
	11	588.6	149.0	552.3	163.3	538.4	169.0	518.1	177.2	498.6	185.3	486.0	190.6		
	12	604.7	151.3	568.4	165.4	553.8	171.0	533.7	179.1	513.7	187.2	500.7	192.4		
	15	654.7	157.9	616.4	172.0	601.7	177.4	580.0	185.2	558.6	192.8				

Notes : - LWT : Leaving water temperature.
 - Power input given for compressors only.

Cooling capacities - SLS BLN (cont'd)

SLS models	LWT (°C)	Condenser entering air temperature - °C													
		25		30		32		35		38		40		44	
		Cool. capa. (kW)	Power input (kW)	Cool. capa. (kW)	Power input (kW)	Cool. capa. (kW)	Power input (kW)	Cool. capa. (kW)	Power input (kW)	Cool. capa. (kW)	Power input (kW)	Cool. capa. (kW)	Power input (kW)	Cool. capa. (kW)	Power input (kW)
2202 BLN	5	548.6	150.9	511.2	166.6	497.0	172.7	476.1	181.8	456.7	190.9	443.8	196.7	419.5	208.6
	6	565.3	153.0	527.5	168.5	513.1	174.7	492.3	183.9	472.4	192.8	459.4	198.8	435.1	210.6
	7	582.6	154.9	544.5	170.5	529.7	176.8	508.5	186.0	488.4	194.9	475.2	200.9	450.2	212.7
	8	599.9	156.9	561.4	172.6	546.4	178.7	524.8	187.9	504.4	197.0	491.1	203.0		
	9	617.5	159.2	578.3	174.7	563.3	180.8	541.3	190.2	520.7	198.9	507.3	204.9		
	10	635.2	161.3	595.3	176.9	580.5	183.1	557.7	192.3	536.9	201.2	523.2	207.0		
	11	653.3	163.5	613.0	179.2	597.6	185.4	575.0	194.4	553.4	203.3	539.4	209.1		
	12	671.2	165.9	630.9	181.5	614.7	187.6	592.4	196.5	570.2	205.4	555.8	211.1		
	15	726.7	173.2	684.2	188.8	667.9	194.6	643.7	203.1	620.0	211.6				
2402 BLN	5	575.9	161.8	536.7	178.6	521.8	185.2	499.9	194.9	479.4	204.6	466.0	210.8	440.4	223.7
	6	593.5	164.0	553.8	180.7	538.7	187.3	516.8	197.2	496.0	206.7	482.3	213.1	456.8	225.8
	7	611.7	166.1	571.6	182.8	556.1	189.5	533.8	199.4	512.8	208.9	498.9	215.4	472.7	228.0
	8	629.9	168.2	589.4	185.0	573.7	191.6	551.0	201.5	529.5	211.2	515.6	217.6		
	9	648.3	170.6	607.2	187.3	591.4	193.9	568.4	203.9	546.7	213.3	532.6	219.7		
	10	666.9	172.9	625.0	189.7	609.4	196.3	585.5	206.2	563.6	215.7	549.3	221.9		
	11	685.9	175.3	643.6	192.1	627.4	198.7	603.7	208.4	581.0	218.0	566.3	224.2		
	12	704.7	177.9	662.4	194.5	645.4	201.1	621.9	210.7	598.6	220.2	583.5	226.3		
	15	762.9	185.7	718.4	202.4	701.2	208.6	675.8	217.8	650.9	226.8				
2602 BLN	5	642.6	174.3	598.8	192.4	582.2	199.5	557.8	210.0	535.0	220.4	519.9	227.2	491.4	241.0
	6	662.2	176.7	618.0	194.7	601.1	201.8	576.7	212.4	553.4	222.7	538.1	229.6	509.6	243.2
	7	682.5	179.0	637.8	196.9	620.5	204.2	595.6	214.8	572.1	225.1	556.6	232.0	527.4	245.7
	8	702.8	181.2	657.6	199.3	640.1	206.4	614.8	217.1	590.8	227.5	575.3	234.5		
	9	723.3	183.8	677.5	201.8	659.9	208.9	634.1	219.7	610.0	229.8	594.2	236.7		
	10	744.1	186.3	697.3	204.4	680.0	211.5	653.3	222.1	628.9	232.4	612.9	239.1		
	11	765.3	188.9	718.1	207.0	700.0	214.1	673.6	224.6	648.3	234.8	631.9	241.6		
	12	786.2	191.7	739.0	209.6	720.1	216.7	693.9	227.0	667.9	237.3	651.0	243.8		
	15	851.2	200.1	801.5	218.0	782.4	224.7	754.1	234.6	726.3	244.4				
3002 BLN	5	701.0	192.0	653.2	212.0	635.1	219.8	608.5	231.3	583.6	242.8	567.2	250.2	536.1	265.5
	6	722.4	194.7	674.1	214.4	655.7	222.2	629.1	234.0	603.7	245.3	587.1	252.9	556.0	267.9
	7	744.5	197.1	695.8	216.9	676.9	224.9	649.8	236.6	624.1	248.0	607.2	255.6	575.4	270.6
	8	766.7	199.6	717.4	219.6	698.3	227.4	670.6	239.1	644.5	250.6	627.6	258.3		
	9	789.1	202.5	739.1	222.2	719.9	230.1	691.8	242.0	665.4	253.1	648.3	260.7		
	10	811.7	205.2	760.7	225.1	741.8	232.9	712.7	244.7	686.1	256.0	668.7	263.4		
	11	834.8	208.0	783.3	228.0	763.7	235.8	734.8	247.3	707.2	258.7	689.3	266.1		
	12	857.7	211.1	806.2	230.9	785.6	238.7	757.0	250.0	728.6	261.3	710.2	268.5		
	15	928.6	220.4	874.4	240.1	853.5	247.6	822.6	258.5	792.3	289.1				
3402 BLN	5	772.8	211.0	720.1	232.9	700.1	241.5	670.7	254.2	643.3	266.9	625.2	275.0	590.9	291.7
	6	796.3	213.9	743.1	235.6	722.9	244.2	693.5	257.1	665.5	269.6	647.2	277.9	612.9	294.4
	7	820.7	216.7	767.0	238.4	746.2	247.2	716.3	260.1	688.0	272.5	669.4	280.9	634.3	297.4
	8	845.2	219.4	790.9	241.3	769.7	249.9	739.3	262.8	710.5	275.5	691.9	283.8		
	9	869.8	222.5	814.7	244.2	793.6	252.8	762.6	266.0	733.5	278.2	714.6	286.5		
	10	894.8	225.5	838.6	247.4	817.7	256.0	785.6	268.9	756.3	281.3	737.1	289.5		
	11	920.3	228.6	863.5	250.6	841.9	259.2	810.1	271.8	779.6	284.3	759.9	292.4		
	12	945.5	232.0	888.8	253.7	866.0	262.3	834.5	274.8	803.2	287.2	782.9	295.1		
	15	1023.7	242.2	963.9	263.9	940.9	272.1	906.9	284.0	873.4	295.8				
3802 BLN	5	841.4	237.8	784.1	262.5	762.3	272.2	730.3	286.5	700.5	300.7	680.8	309.9	643.4	328.8
	6	867.1	241.1	809.2	265.6	787.1	275.3	755.1	289.8	724.7	303.8	704.7	313.2	667.3	331.8
	7	893.7	244.2	835.1	268.6	812.4	278.6	779.9	293.1	749.1	307.1	728.8	316.5	690.6	335.2
	8	920.2	247.2	861.1	271.9	838.1	281.6	805.0	296.2	773.6	310.4	753.3	319.9		
	9	947.1	250.8	887.1	275.3	864.1	284.9	830.4	299.7	798.7	313.5	778.1	322.9		
	10	974.3	254.1	913.1	278.8	890.4	288.5	855.4	303.0	823.5	317.1	802.6	326.2		
	11	1002.0	257.7	940.2	282.4	916.7	292.1	882.0	306.4	848.9	320.4	827.4	329.5		
	12	1029.5	261.5	967.7	286.0	942.9	295.6	908.6	309.7	874.6	323.7	852.5	332.6		
	15	1114.6	273.0	1049.5	297.4	1024.4	306.6	987.4	320.1	951.0	333.4				

Notes : - LWT : Leaving water temperature.
 - Power input given for compressors only.

Cooling capacities - SLS BLN (cont'd)

SLS models	LWT (°C)	Condenser entering air temperature - °C													
		25		30		32		35		38		40		44	
		Cool. capa. (kW)	Power input (kW)	Cool. capa. (kW)	Power input (kW)	Cool. capa. (kW)	Power input (kW)	Cool. capa. (kW)	Power input (kW)	Cool. capa. (kW)	Power input (kW)	Cool. capa. (kW)	Power input (kW)	Cool. capa. (kW)	Power input (kW)
4202 BLN	5	951.7	275.0	886.8	303.6	862.2	314.8	826.0	331.3	792.3	347.8	770.0	358.5	727.8	380.3
	6	980.7	278.9	915.2	307.2	890.2	318.4	854.1	335.2	819.6	351.4	797.0	362.3	754.8	383.8
	7	1010.8	282.4	944.6	310.7	918.9	322.2	882.1	339.0	847.3	355.2	824.4	366.1	781.1	387.6
	8	1040.8	285.9	974.0	314.5	948.0	325.7	910.5	342.5	875.0	359.0	852.0	370.0		
	9	1071.2	290.1	1003.3	318.4	977.3	329.6	939.2	346.7	903.4	362.6	880.1	373.5		
	10	1101.9	293.9	1032.7	322.5	1007.1	333.7	967.5	350.5	931.4	366.7	907.8	377.3		
	11	1133.4	298.0	1063.5	326.6	1036.8	337.8	997.6	354.3	960.1	370.5	935.8	381.2		
	12	1164.4	302.4	1094.5	330.7	1066.5	341.9	1027.7	358.2	989.2	374.4	964.2	384.7		
	15	1260.7	315.7	1187.1	344.0	1158.7	354.6	1116.8	370.2	1075.6	385.6				
3804 BLN	5	913.7	246.9	851.4	272.6	827.8	282.6	793.1	297.5	760.6	312.3	739.2	321.8	698.7	341.4
	6	941.6	250.4	878.7	275.8	854.7	285.8	820.0	300.9	786.9	315.5	765.2	325.3	724.7	344.6
	7	970.4	253.5	906.9	278.9	882.2	289.3	846.9	304.3	813.5	318.9	791.4	328.7	749.9	348.0
	8	999.3	256.7	935.1	282.4	910.1	292.4	874.1	307.5	840.1	322.3	818.0	332.1		
	9	1028.5	260.4	963.3	285.8	938.3	295.9	901.7	311.2	867.3	325.5	844.9	335.3		
	10	1058.0	263.9	991.5	289.5	966.9	299.6	928.9	314.7	894.2	329.2	871.5	338.8		
	11	1088.1	267.6	1021.0	293.2	995.4	303.3	957.8	318.1	921.8	332.7	898.4	342.2		
	12	1117.9	271.5	1050.8	296.9	1023.9	307.0	986.6	321.5	949.7	336.1	925.7	345.4		
	15	1210.3	283.4	1139.7	308.8	1112.4	318.4	1072.2	332.4	1032.7	346.2				
4004 BLN	5	988.4	275.1	921.1	303.7	895.5	314.9	857.9	331.4	822.9	347.9	799.7	358.5	755.9	380.4
	6	1018.6	278.9	950.5	307.2	924.6	318.4	887.0	335.2	851.3	351.5	827.8	362.4	783.9	383.9
	7	1049.8	282.5	981.0	310.8	954.4	322.3	916.2	339.1	880.0	355.3	856.2	366.2	811.3	387.7
	8	1081.0	286.0	1011.6	314.6	984.6	325.8	945.6	342.6	908.8	359.1	884.9	370.0		
	9	1112.6	290.1	1042.1	318.4	1015.1	329.6	975.4	346.7	938.3	362.7	914.1	373.6		
	10	1144.5	294.0	1072.6	322.6	1045.9	333.8	1004.9	350.6	967.4	366.8	942.8	377.4		
	11	1177.1	298.1	1104.5	326.7	1076.8	337.9	1036.1	354.4	997.2	370.6	971.9	381.2		
	12	1209.4	302.5	1136.8	330.8	1107.7	342.0	1067.3	358.2	1027.3	374.5	1001.4	384.8		
	15	1309.4	315.8	1232.9	344.1	1203.4	354.7	1159.9	370.3	1117.1	385.7				

Notes : - LWT : Leaving water temperature.
 - Power input given for compressors only.

Cooling capacities - SLS LN

SLS models	LWT (°C)	Condenser entering air temperature - °C													
		25		30		32		35		38		40		44	
		Cool. capa. (kW)	Power input (kW)	Cool. capa. (kW)	Power input (kW)	Cool. capa. (kW)	Power input (kW)	Cool. capa. (kW)	Power input (kW)	Cool. capa. (kW)	Power input (kW)	Cool. capa. (kW)	Power input (kW)	Cool. capa. (kW)	Power input (kW)
1202 LN	5	266.4	86.7	248.2	95.7	241.3	99.3	231.2	104.5	221.8	109.7	215.5	113.0	203.7	119.9
	6	274.5	87.9	256.2	96.8	249.2	100.4	239.1	105.7	229.4	110.8	223.1	114.2	211.3	121.0
	7	282.9	89.0	264.4	98.0	257.2	101.6	246.9	106.9	237.2	112.0	230.7	115.4	218.6	122.2
	8	291.3	90.1	272.6	99.2	265.3	102.7	254.8	108.0	244.9	113.2	238.5	116.6		
	9	299.8	91.4	280.8	100.4	273.6	103.9	262.9	109.3	252.9	114.3	246.3	117.7		
	10	308.4	92.7	289.1	101.7	281.9	105.2	270.8	110.5	260.7	115.6	254.1	119.0		
	11	317.2	94.0	297.7	103.0	290.2	106.5	279.2	111.7	268.7	116.8	261.9	120.2		
	12	325.9	95.4	306.4	104.3	298.5	107.8	287.6	112.9	276.9	118.0	269.9	121.3		
	15	352.9	99.5	332.3	108.5	324.3	111.8	312.6	116.7	301.1	121.6				
1402 LN	5	308.9	91.9	287.9	101.5	279.9	105.3	268.2	110.8	257.2	116.3	250.0	119.8	236.2	127.1
	6	318.4	93.2	297.1	102.7	289.0	106.4	277.3	112.1	266.1	117.5	258.7	121.1	245.0	128.3
	7	328.1	94.4	306.6	103.9	298.3	107.7	286.4	113.3	275.1	118.8	267.6	122.4	253.6	129.6
	8	337.9	95.6	316.2	105.2	307.7	108.9	295.6	114.5	284.0	120.0	276.6	123.7		
	9	347.7	97.0	325.7	106.4	317.3	110.2	304.9	115.9	293.3	121.2	285.7	124.9		
	10	357.7	98.3	335.2	107.8	326.9	111.6	314.1	117.2	302.4	122.6	294.7	126.1		
	11	367.9	99.6	345.2	109.2	336.6	112.9	323.8	118.5	311.7	123.9	303.8	127.4		
	12	378.0	101.1	355.3	110.6	346.2	114.3	333.6	119.7	321.1	125.2	313.0	128.6		
	15	409.2	105.5	385.3	115.0	376.1	118.6	362.5	123.8	349.2	128.9				
1602 LN	5	351.7	109.1	327.8	120.4	318.7	124.8	305.3	131.4	292.8	137.9	284.6	142.1	269.0	150.8
	6	362.5	110.6	338.3	121.8	329.0	126.2	315.7	132.9	302.9	139.3	294.6	143.7	279.0	152.2
	7	373.6	112.0	349.1	123.2	339.6	127.8	326.0	134.4	313.2	140.9	304.7	145.2	288.7	153.7
	8	384.7	113.4	360.0	124.7	350.4	129.2	336.5	135.8	323.4	142.4	314.9	146.7		
	9	395.9	115.0	370.8	126.2	361.2	130.7	347.1	137.5	333.9	143.8	325.3	148.1		
	10	407.3	116.5	381.7	127.9	372.2	132.3	357.6	139.0	344.2	145.4	335.5	149.6		
	11	418.9	118.2	393.1	129.5	383.2	134.0	368.7	140.5	354.9	146.9	345.9	151.1		
	12	430.4	119.9	404.5	131.2	394.2	135.6	379.8	142.0	365.6	148.5	356.4	152.5		
	15	465.9	125.2	438.7	136.4	428.3	140.6	412.8	146.8	397.5	152.9				
1802 LN	5	392.2	127.2	365.5	140.4	355.3	145.6	340.4	153.3	326.5	160.9	317.3	165.8	299.9	175.9
	6	404.2	129.0	377.2	142.1	366.9	147.3	352.0	155.0	337.8	162.5	328.5	167.6	311.1	177.5
	7	416.6	130.6	389.3	143.7	378.7	149.0	363.5	156.8	349.2	164.3	339.7	169.3	321.9	179.3
	8	428.9	132.3	401.4	145.5	390.7	150.7	375.2	158.4	360.6	166.1	351.1	171.1		
	9	441.5	134.2	413.5	147.3	402.8	152.4	387.0	160.3	372.3	167.7	362.7	172.8		
	10	454.1	135.9	425.6	149.2	415.0	154.3	398.7	162.1	383.8	169.6	374.1	174.5		
	11	467.1	137.8	438.3	151.1	427.3	156.3	411.1	163.9	395.7	171.4	385.7	176.3		
	12	479.9	139.9	451.1	153.0	439.5	158.2	423.5	165.7	407.6	173.2	397.3	177.9		
	15	519.5	146.0	489.2	159.1	477.5	164.0	460.3	171.3	443.3	178.3				
1902 LN	5	437.8	129.4	408.0	142.9	396.7	148.1	380.0	155.9	364.5	163.7	354.3	168.7	334.8	178.9
	6	451.2	131.2	421.1	144.5	409.6	149.8	392.9	157.7	377.1	165.3	366.7	170.5	347.3	180.6
	7	465.0	132.9	434.6	146.2	422.8	151.6	405.8	159.5	389.8	167.1	379.3	172.3	359.4	182.4
	8	478.9	134.5	448.1	148.0	436.1	153.3	418.9	161.2	402.6	168.9	392.0	174.1		
	9	492.8	136.5	461.6	149.8	449.7	155.1	432.1	163.1	415.6	170.6	404.9	175.7		
	10	507.0	138.3	475.1	151.7	463.3	157.0	445.1	164.9	428.5	172.5	417.6	177.5		
	11	521.4	140.2	489.3	153.7	477.0	159.0	459.0	166.7	441.7	174.3	430.5	179.3		
	12	535.7	142.3	503.6	155.6	490.7	160.9	472.8	168.5	455.1	176.1	443.6	181.0		
	15	580.0	148.5	546.1	161.9	533.1	166.9	513.8	174.2	494.9	181.4				
2002 LN	5	468.5	145.3	436.6	160.5	424.4	166.4	406.6	175.1	390.0	183.8	379.0	189.4	358.3	201.0
	6	482.8	147.4	450.5	162.3	438.2	168.2	420.4	177.1	403.5	185.7	392.3	191.5	371.6	202.8
	7	497.6	149.2	465.0	164.2	452.3	170.3	434.2	179.1	417.1	187.7	405.8	193.5	384.5	204.8
	8	512.4	151.1	479.4	166.2	466.6	172.1	448.2	181.0	430.7	189.7	419.4	195.5		
	9	527.3	153.3	493.9	168.2	481.1	174.2	462.3	183.2	444.7	191.6	433.2	197.4		
	10	542.4	155.3	508.4	170.4	495.7	176.3	476.3	185.2	458.5	193.8	446.9	199.4		
	11	557.9	157.5	523.5	172.6	510.4	178.5	491.1	187.2	472.6	195.8	460.7	201.4		
	12	573.2	159.8	538.8	174.8	525.0	180.7	505.9	189.3	486.9	197.8	474.6	203.3		
	15	620.6	166.8	584.3	181.8	570.4	187.4	549.8	195.7	529.5	203.8				

Notes : - LWT : Leaving water temperature.
 - Power input given for compressors only.

Cooling capacities - SLS LN (cont'd)

SLS models	LWT (°C)	Condenser entering air temperature - °C													
		25		30		32		35		38		40		44	
		Cool. capa. (kW)	Power input (kW)	Cool. capa. (kW)	Power input (kW)	Cool. capa. (kW)	Power input (kW)	Cool. capa. (kW)	Power input (kW)	Cool. capa. (kW)	Power input (kW)	Cool. capa. (kW)	Power input (kW)	Cool. capa. (kW)	Power input (kW)
2202 LN	5	525.1	158.3	489.3	174.8	475.7	181.2	455.8	190.7	437.1	200.2	424.8	206.3	401.5	218.9
	6	541.1	160.5	504.9	176.8	491.2	183.3	471.2	192.9	452.2	202.3	439.7	208.5	416.4	220.9
	7	557.7	162.6	521.2	178.8	507.0	185.5	486.7	195.1	467.5	204.5	454.8	210.7	431.0	223.1
	8	574.3	164.6	537.4	181.0	523.0	187.5	502.3	197.2	482.8	206.7	470.1	212.9		
	9	591.0	167.0	553.6	183.3	539.2	189.7	518.2	199.5	498.4	208.7	485.6	215.0		
	10	608.0	169.2	569.8	185.6	555.6	192.1	533.8	201.7	513.9	211.1	500.8	217.2		
	11	625.3	171.5	586.7	188.0	572.0	194.5	550.4	204.0	529.7	213.3	516.3	219.4		
	12	642.4	174.1	603.9	190.4	588.4	196.8	567.0	206.2	545.7	215.5	532.0	221.4		
	15	695.5	181.7	654.9	198.0	639.3	204.1	616.2	213.1	593.4	221.9				
2402 LN	5	545.4	172.3	508.3	190.3	494.1	197.3	473.4	207.6	454.1	218.0	441.3	224.6	417.1	238.3
	6	562.1	174.7	524.5	192.5	510.2	199.5	489.5	210.0	469.8	220.2	456.8	227.0	432.6	240.5
	7	579.3	177.0	541.4	194.7	526.7	201.9	505.6	212.4	485.6	222.6	472.5	229.4	447.7	242.9
	8	596.5	179.2	558.2	197.1	543.3	204.1	521.8	214.6	501.5	225.0	488.3	231.8		
	9	614.0	181.8	575.0	199.5	560.1	206.5	538.3	217.2	517.8	227.2	504.4	234.0		
	10	631.6	184.2	591.9	202.1	577.2	209.1	554.5	219.6	533.8	229.8	520.3	236.4		
	11	649.6	186.7	609.5	204.7	594.2	211.7	571.8	222.0	550.3	232.2	536.3	238.8		
	12	667.4	189.5	627.3	207.2	611.2	214.3	589.0	224.4	566.9	234.6	552.6	241.1		
	15	722.5	197.8	680.3	215.6	664.1	222.2	640.1	232.0	616.5	241.6				
2602 LN	5	612.4	184.1	570.7	203.2	554.8	210.7	531.6	221.7	509.8	232.8	495.5	239.9	468.3	254.5
	6	631.1	186.6	588.9	205.6	572.9	213.1	549.6	224.3	527.4	235.1	512.9	242.4	485.7	256.8
	7	650.4	189.0	607.8	207.9	591.3	215.6	567.6	226.9	545.3	237.7	530.5	245.0	502.7	259.4
	8	669.8	191.4	626.8	210.5	610.0	218.0	585.9	229.2	563.1	240.3	548.3	247.6		
	9	689.3	194.1	645.7	213.1	628.9	220.5	604.4	232.0	581.3	242.6	566.3	249.9		
	10	709.1	196.7	664.6	215.8	648.0	223.3	622.6	234.6	599.4	245.4	584.2	252.5		
	11	729.3	199.4	684.3	218.6	667.2	226.1	642.0	237.1	617.8	248.0	602.2	255.1		
	12	749.3	202.4	704.3	221.3	686.3	228.8	661.3	239.7	636.5	250.5	620.4	257.4		
	15	811.3	211.3	763.9	230.2	745.6	237.3	718.7	247.8	692.2	258.0				
3002 LN	5	675.3	200.8	629.3	221.7	611.8	229.8	586.2	241.9	562.2	253.9	546.4	261.7	516.4	277.6
	6	695.9	203.6	649.4	224.2	631.7	232.4	606.1	244.7	581.6	256.5	565.6	264.5	535.6	280.2
	7	717.2	206.2	670.3	226.8	652.1	235.2	625.9	247.5	601.3	259.3	585.0	267.3	554.3	283.0
	8	738.6	208.7	691.1	229.6	672.7	237.8	646.1	250.1	620.9	262.1	604.6	270.1		
	9	760.1	211.8	712.0	232.4	693.5	240.6	666.4	253.1	641.0	264.7	624.5	272.7		
	10	782.0	214.6	732.8	235.4	714.6	243.6	686.6	255.9	660.9	267.7	644.2	275.5		
	11	804.2	217.6	754.6	238.4	735.7	246.6	707.9	258.7	681.3	270.5	664.0	278.2		
	12	826.3	220.8	776.7	241.4	756.8	249.6	729.2	261.5	701.9	273.3	684.2	280.8		
	15	894.6	230.5	842.3	251.1	822.2	258.9	792.5	270.3	763.3	303.7				
3402 LN	5	741.8	221.7	691.3	244.7	672.1	253.7	643.9	267.0	617.6	280.3	600.2	288.9	567.3	306.5
	6	764.5	224.8	713.4	247.6	693.9	256.6	665.7	270.1	638.9	283.2	621.2	292.0	588.3	309.3
	7	787.9	227.6	736.3	250.4	716.3	259.7	687.6	273.2	660.5	286.3	642.6	295.1	608.9	312.4
	8	811.3	230.5	759.2	253.5	738.9	262.5	709.7	276.1	682.1	289.4	664.2	298.2		
	9	835.0	233.8	782.1	256.6	761.8	265.6	732.1	279.4	704.2	292.2	686.0	301.0		
	10	859.0	236.9	805.0	259.9	785.0	268.9	754.2	282.5	726.0	295.6	707.6	304.1		
	11	883.4	240.2	828.9	263.2	808.1	272.3	777.6	285.6	748.4	298.6	729.4	307.2		
	12	907.7	243.8	853.2	266.6	831.3	275.6	801.0	288.7	771.0	301.7	751.6	310.0		
	15	982.7	254.5	925.3	277.3	903.2	285.8	870.5	298.4	838.4	310.8				
3802 LN	5	796.1	253.3	741.9	279.6	721.2	289.9	691.0	305.1	662.8	320.3	644.1	330.1	608.8	350.2
	6	820.4	256.8	765.6	282.9	744.7	293.2	714.5	308.7	685.6	323.6	666.7	333.6	631.4	353.5
	7	845.5	260.1	790.2	286.1	768.7	296.7	737.9	312.2	708.8	327.1	689.6	337.2	653.4	357.0
	8	870.7	263.3	814.7	289.7	793.0	300.0	761.6	315.5	732.0	330.7	712.8	340.7		
	9	896.1	267.1	839.3	293.2	817.6	303.5	785.6	319.3	755.7	333.9	736.2	344.0		
	10	921.8	270.7	863.9	297.0	842.4	307.3	809.4	322.8	779.1	337.7	759.4	347.5		
	11	948.1	274.5	889.6	300.8	867.3	311.1	834.5	326.3	803.2	341.2	782.8	351.0		
	12	974.1	278.5	915.6	304.6	892.1	314.9	859.7	329.8	827.5	344.8	806.5	354.3		
	15	1054.6	290.8	993.0	316.8	969.3	326.6	934.2	341.0	899.8	355.1				

Notes : - LWT : Leaving water temperature.
 - Power input given for compressors only.

Cooling capacities - SLS LN (cont'd)

SLS models	LWT (°C)	Condenser entering air temperature - °C													
		25		30		32		35		38		40		44	
		Cool. capa. (kW)	Power input (kW)	Cool. capa. (kW)	Power input (kW)	Cool. capa. (kW)	Power input (kW)	Cool. capa. (kW)	Power input (kW)	Cool. capa. (kW)	Power input (kW)	Cool. capa. (kW)	Power input (kW)	Cool. capa. (kW)	Power input (kW)
4202 LN	5	891.5	289.5	830.7	319.6	807.6	331.4	773.8	348.7	742.2	366.1	721.3	377.3	681.7	400.2
	6	918.7	293.5	857.3	323.3	833.9	335.1	800.0	352.8	767.8	369.8	746.6	381.3	707.0	404.0
	7	946.8	297.2	884.8	327.0	860.8	339.1	826.3	356.8	793.7	373.9	772.2	385.3	731.7	408.0
	8	975.0	301.0	912.3	331.0	888.0	342.8	852.9	360.5	819.7	377.9	798.1	389.4		
	9	1003.5	305.3	939.9	335.1	915.5	346.9	879.8	364.9	846.2	381.6	824.4	393.1		
	10	1032.2	309.3	967.4	339.4	943.3	351.2	906.3	368.9	872.5	386.0	850.3	397.1		
	11	1061.7	313.7	996.2	343.8	971.2	355.6	934.5	372.9	899.4	390.0	876.6	401.2		
	12	1090.8	318.3	1025.3	348.1	999.0	359.9	962.6	377.0	926.6	394.0	903.2	404.9		
	15	1180.9	332.3	1112.0	362.1	1085.4	373.2	1046.2	389.7	1007.6	405.8				
3804 LN	5	875.4	259.0	815.8	286.0	793.1	296.5	759.9	312.1	728.8	327.6	708.3	337.6	669.5	358.2
	6	902.2	262.7	841.9	289.3	818.9	299.9	785.7	315.7	754.0	331.0	733.2	341.2	694.3	361.5
	7	929.8	266.0	868.9	292.6	845.3	303.5	811.4	319.3	779.4	334.6	758.3	344.8	718.6	365.1
	8	957.4	269.3	895.9	296.3	872.0	306.8	837.5	322.6	804.9	338.2	783.8	348.4		
	9	985.4	273.2	923.0	299.9	899.0	310.4	863.9	326.5	831.0	341.5	809.6	351.8		
	10	1013.7	276.8	950.0	303.7	926.4	314.3	890.0	330.1	856.8	345.4	835.1	355.4		
	11	1042.6	280.7	978.3	307.6	953.7	318.2	917.7	333.7	883.2	349.0	860.8	359.0		
	12	1071.2	284.9	1006.8	311.5	981.1	322.1	945.3	337.3	909.9	352.6	886.9	362.3		
	15	1159.7	297.4	1092.0	324.0	1065.9	334.0	1027.3	348.7	989.4	363.2				
4004 LN	5	936.9	290.7	873.1	320.9	848.8	332.7	813.3	350.2	780.0	367.6	758.1	378.9	716.5	401.9
	6	965.5	294.7	901.0	324.6	876.4	336.5	840.9	354.2	806.9	371.4	784.7	382.9	743.1	405.6
	7	995.1	298.5	930.0	328.4	904.7	340.5	868.4	358.3	834.2	375.4	811.6	387.0	769.0	409.7
	8	1024.7	302.2	958.9	332.4	933.3	344.3	896.4	362.0	861.5	379.5	838.9	391.0		
	9	1054.6	306.6	987.8	336.5	962.2	348.3	924.6	366.4	889.4	383.2	866.5	394.7		
	10	1084.9	310.6	1016.7	340.8	991.5	352.7	952.6	370.4	917.0	387.6	893.7	398.8		
	11	1115.8	315.0	1047.0	345.2	1020.7	357.0	982.2	374.5	945.3	391.6	921.3	402.8		
	12	1146.4	319.7	1077.6	349.6	1050.0	361.4	1011.7	378.5	973.8	395.7	949.2	406.6		
	15	1241.2	333.7	1168.7	363.6	1140.8	374.8	1099.5	391.3	1059.0	407.5				

Notes : - LWT : Leaving water temperature.
 - Power input given for compressors only.

Cooling capacities - SLS ELN

SLS models	LWT (°C)	Condenser entering air temperature - °C											
		25		30		32		35		38		40	
		Cool. capa. (kW)	Power input (kW)	Cool. capa. (kW)	Power input (kW)	Cool. capa. (kW)	Power input (kW)	Cool. capa. (kW)	Power input (kW)	Cool. capa. (kW)	Power input (kW)	Cool. capa. (kW)	Power input (kW)
1202 ELN	5	266.4	86.7	248.2	95.7	241.3	99.3	231.2	104.5	221.8	109.7	215.5	113.0
	6	274.5	87.9	256.2	96.8	249.2	100.4	239.1	105.7	229.4	110.8	223.1	114.2
	7	282.9	89.0	264.4	98.0	257.2	101.6	246.9	106.9	237.2	112.0	230.7	115.4
	8	291.3	90.1	272.6	99.2	265.3	102.7	254.8	108.0	244.9	113.2		
	9	299.8	91.4	280.8	100.4	273.6	103.9	262.9	109.3	252.9	114.3		
	10	308.4	92.7	289.1	101.7	281.9	105.2	270.8	110.5				
	11	317.2	94.0	297.7	103.0	290.2	106.5	279.2	111.7				
	12	325.9	95.4	306.4	104.3	298.5	107.8	287.6	112.9				
15	352.9	99.5	332.3	108.5	324.3	111.8	312.6	116.7					
1402 ELN	5	303.5	93.9	282.8	103.6	274.9	107.5	263.4	113.1	252.6	118.7	245.5	122.4
	6	312.7	95.2	291.8	104.8	283.9	108.7	272.4	114.4	261.4	119.9	254.2	123.7
	7	322.3	96.4	301.2	106.1	293.0	110.0	281.3	115.7	270.2	121.2	262.9	125.0
	8	331.9	97.6	310.6	107.4	302.3	111.2	290.3	116.9	279.0	122.6		
	9	341.6	99.0	320.0	108.7	311.7	112.5	299.5	118.3	288.1	123.8		
	10	351.4	100.3	329.3	110.1	321.1	113.9	308.5	119.6				
	11	361.4	101.7	339.1	111.5	330.6	115.3	318.1	120.9				
	12	371.3	103.2	349.0	112.9	340.1	116.7	327.7	122.3				
15	402.0	107.8	378.5	117.4	369.5	121.0	356.1	126.4					
1602 ELN	5	354.6	108.1	330.4	119.4	321.2	123.8	307.8	130.3	295.2	136.8	286.9	140.9
	6	365.4	109.6	341.0	120.8	331.7	125.2	318.2	131.8	305.4	138.2	297.0	142.4
	7	376.6	111.0	351.9	122.2	342.4	126.7	328.7	133.3	315.7	139.7	307.2	143.9
	8	387.8	112.4	362.9	123.7	353.2	128.1	339.2	134.7	326.0	141.2		
	9	399.1	114.0	373.8	125.2	364.2	129.6	349.9	136.3	336.6	142.6		
	10	410.6	115.6	384.8	126.8	375.2	131.2	360.5	137.8				
	11	422.3	117.2	396.2	128.4	386.3	132.8	371.7	139.3				
	12	433.9	118.9	407.8	130.0	397.4	134.4	382.9	140.8				
15	469.7	124.1	442.3	135.3	431.7	139.4	416.1	145.6					
1802 ELN	5	390.3	127.9	363.7	141.2	353.6	146.4	338.8	154.1	324.9	161.8	315.8	166.7
	6	402.2	129.7	375.3	142.9	365.1	148.1	350.3	155.9	336.1	163.4	326.8	168.5
	7	414.5	131.4	387.4	144.5	376.8	149.9	361.7	157.7	347.5	165.2	338.1	170.3
	8	426.8	133.0	399.4	146.3	388.8	151.5	373.4	159.3	358.8	167.0		
	9	439.3	134.9	411.5	148.1	400.8	153.3	385.2	161.2	370.5	168.7		
	10	451.9	136.7	423.5	150.0	413.0	155.2	396.8	163.0				
	11	464.8	138.6	436.1	151.9	425.2	157.1	409.1	164.8				
	12	477.5	140.7	448.9	153.8	437.4	159.1	421.4	166.6				
15	517.0	146.8	486.8	160.0	475.2	164.9	458.0	172.2					
1902 ELN	5	429.7	132.1	400.4	145.8	389.2	151.2	372.9	159.1	357.7	167.1	347.6	172.2
	6	442.8	133.9	413.2	147.5	401.9	152.9	385.6	161.0	370.0	168.8	359.8	174.0
	7	456.3	135.6	426.5	149.2	414.9	154.8	398.2	162.8	382.5	170.6	372.2	175.9
	8	469.9	137.3	439.7	151.1	428.0	156.5	411.1	164.5	395.0	172.5		
	9	483.6	139.3	453.0	152.9	441.2	158.3	424.0	166.5	407.9	174.2		
	10	497.5	141.2	466.2	154.9	454.7	160.3	436.8	168.4				
	11	511.7	143.1	480.1	156.9	468.1	162.3	450.4	170.2				
	12	525.7	145.3	494.1	158.9	481.5	164.2	464.0	172.0				
15	569.2	151.6	535.9	165.2	523.1	170.3	504.2	177.8					
2002 ELN	5	472.0	144.2	439.8	159.2	427.6	165.1	409.7	173.8	392.9	182.4	381.9	188.0
	6	486.4	146.2	453.9	161.1	441.5	167.0	423.6	175.8	406.5	184.3	395.3	190.0
	7	501.3	148.1	468.5	162.9	455.7	169.0	437.5	177.8	420.2	186.3	408.8	192.0
	8	516.2	149.9	483.0	164.9	470.1	170.8	451.5	179.6	434.0	188.3		
	9	531.3	152.1	497.6	167.0	484.7	172.8	465.8	181.8	448.0	190.1		
	10	546.5	154.1	512.2	169.1	499.4	175.0	479.8	183.8				
	11	562.1	156.3	527.4	171.3	514.2	177.2	494.8	185.8				
	12	577.5	158.6	542.8	173.4	528.9	179.3	509.7	187.8				
15	625.2	165.6	588.7	180.4	574.6	186.0	553.9	194.2					

Notes : - LWT : Leaving water temperature.
- Power input given for compressors only.

Cooling capacities - SLS ELN (cont'd)

SLS models	LWT (°C)	Condenser entering air temperature - °C											
		25		30		32		35		38		40	
		Cool. capa. (kW)	Power input (kW)	Cool. capa. (kW)	Power input (kW)	Cool. capa. (kW)	Power input (kW)	Cool. capa. (kW)	Power input (kW)	Cool. capa. (kW)	Power input (kW)	Cool. capa. (kW)	Power input (kW)
2202 ELN	5	517.0	160.9	481.8	177.6	468.4	184.1	448.8	193.8	430.4	203.4	418.3	209.6
	6	532.8	163.1	497.2	179.6	483.6	186.2	464.0	196.0	445.3	205.5	433.0	211.9
	7	549.1	165.2	513.1	181.7	499.2	188.4	479.2	198.3	460.3	207.7	447.8	214.1
	8	565.4	167.2	529.1	184.0	515.0	190.5	494.6	200.3	475.4	210.0		
	9	581.9	169.6	545.1	186.2	530.9	192.7	510.2	202.7	490.8	212.1		
	10	598.6	171.9	561.0	188.6	547.1	195.2	525.6	205.0				
	11	615.7	174.3	577.7	191.0	563.2	197.6	541.9	207.2				
	12	632.6	176.9	594.6	193.4	579.4	200.0	558.3	209.5				
	15	684.9	184.6	644.9	201.2	629.5	207.4	606.7	216.5				
2402 ELN	5	550.8	170.5	513.3	188.2	499.0	195.2	478.1	205.4	458.5	215.6	445.6	222.2
	6	567.6	172.9	529.7	190.4	515.2	197.3	494.3	207.8	474.4	217.8	461.3	224.6
	7	585.0	175.1	546.7	192.6	531.8	199.7	510.5	210.1	490.4	220.2	477.1	227.0
	8	602.4	177.2	563.7	195.0	548.6	201.9	527.0	212.3	506.4	222.6		
	9	620.0	179.8	580.7	197.3	565.7	204.3	543.6	214.9	522.8	224.8		
	10	637.8	182.2	597.7	199.9	582.9	206.9	560.0	217.3				
	11	656.0	184.7	615.5	202.5	600.1	209.4	577.4	219.6				
	12	673.9	187.5	633.5	205.0	617.3	212.0	594.8	222.0				
	15	729.6	195.7	687.0	213.2	670.6	219.8	646.4	229.5				
2602 ELN	5	603.1	187.1	562.0	206.6	546.4	214.2	523.5	225.4	502.1	236.7	488.0	243.9
	6	621.5	189.7	580.0	209.0	564.2	216.6	541.3	228.1	519.4	239.1	505.1	246.5
	7	640.6	192.1	598.6	211.4	582.3	219.2	559.0	230.7	537.0	241.7	522.4	249.1
	8	659.6	194.6	617.2	214.0	600.7	221.6	577.0	233.1	554.5	244.3		
	9	678.9	197.4	635.8	216.6	619.4	224.2	595.2	235.9	572.5	246.7		
	10	698.3	200.0	654.5	219.4	638.2	227.0	613.2	238.5				
	11	718.2	202.8	673.9	222.2	657.0	229.9	632.2	241.1				
	12	737.9	205.8	693.6	225.0	675.9	232.7	651.3	243.7				
	15	798.9	214.8	752.3	234.1	734.3	241.3	707.8	251.9				
3002 ELN	5	660.8	205.9	615.8	227.4	598.7	235.7	573.6	248.1	550.1	260.5	534.6	268.4
	6	681.0	208.8	635.5	230.0	618.1	238.4	593.0	251.0	569.1	263.1	553.4	271.3
	7	701.8	211.5	655.9	232.6	638.0	241.3	612.5	253.8	588.3	266.0	572.4	274.1
	8	722.7	214.1	676.3	235.5	658.2	243.9	632.2	256.5	607.6	268.8		
	9	743.8	217.2	696.7	238.4	678.6	246.8	652.1	259.6	627.3	271.5		
	10	765.1	220.1	717.1	241.5	699.3	249.9	671.8	262.4				
	11	787.0	223.2	738.4	244.6	719.9	253.0	692.7	265.3				
	12	808.5	226.5	760.0	247.7	740.5	256.0	713.6	268.2				
	15	875.4	236.4	824.2	257.6	804.5	265.5	775.5	277.2				
3402 ELN	5	741.6	221.7	691.0	244.8	671.8	253.8	643.7	267.1	617.4	280.4	600.0	289.0
	6	764.2	224.8	713.1	247.6	693.7	256.7	665.5	270.2	638.7	283.3	621.0	292.1
	7	787.6	227.7	736.0	250.5	716.0	259.8	687.4	273.3	660.3	286.4	642.4	295.2
	8	811.0	230.5	758.9	253.6	738.7	262.6	709.5	276.2	681.8	289.5		
	9	834.7	233.9	781.8	256.7	761.6	265.7	731.8	279.5	703.9	292.3		
	10	858.7	237.0	804.7	260.0	784.7	269.0	753.9	282.6				
	11	883.1	240.3	828.7	263.3	807.9	272.4	777.4	285.7				
	12	907.4	243.8	852.9	266.7	831.0	275.7	800.8	288.8				
	15	982.3	254.5	925.0	277.4	902.9	285.9	870.2	298.5				
3802 ELN	5	789.2	255.7	735.4	282.3	715.0	292.7	685.0	308.1	657.0	323.4	638.5	333.3
	6	813.3	259.3	758.9	285.6	738.2	296.0	708.3	311.6	679.7	326.7	660.9	336.9
	7	838.2	262.6	783.3	288.9	762.0	299.6	731.5	315.2	702.7	330.3	683.6	340.4
	8	863.1	265.9	807.7	292.5	786.1	302.9	755.0	318.5	725.6	333.8		
	9	888.3	269.7	832.0	296.0	810.5	306.4	778.8	322.3	749.1	337.1		
	10	913.8	273.3	856.4	299.9	835.1	310.3	802.4	325.9				
	11	939.9	277.1	881.9	303.7	859.8	314.1	827.3	329.5				
	12	965.6	281.2	907.7	307.5	884.4	317.9	852.2	333.0				
	15	1045.4	293.5	984.4	319.9	960.9	329.7	926.1	344.3				

Notes : - LWT : Leaving water temperature.
 - Power input given for compressors only.

Cooling capacities - SLS ELN (cont'd)

SLS mdels	LWT (°C)	Condenser entering air temperature - °C											
		25		30		32		35		38		40	
		Cool. capa. (kW)	Power input (kW)	Cool. capa. (kW)	Power input (kW)	Cool. capa. (kW)	Power input (kW)	Cool. capa. (kW)	Power input (kW)	Cool. capa. (kW)	Power input (kW)	Cool. capa. (kW)	Power input (kW)
4202 ELN	5	873.9	286.2	814.3	316.0	791.7	327.6	758.5	344.8	727.5	362.0	707.0	373.0
	6	900.6	290.2	840.4	319.7	817.4	331.3	784.3	348.8	752.6	365.7	731.9	377.0
	7	928.2	293.9	867.4	323.3	843.8	335.3	810.0	352.8	778.1	369.7	757.0	381.0
	8	955.8	297.6	894.3	327.3	870.5	339.0	836.0	356.5	803.5	373.7		
	9	983.7	301.9	921.3	331.3	897.5	343.0	862.4	360.8	829.5	377.3		
	10	1011.9	305.9	948.3	335.6	924.7	347.3	888.5	364.8				
	11	1040.7	310.2	976.5	339.9	952.0	351.6	916.1	368.8				
	12	1069.2	314.8	1005.1	344.2	979.3	355.9	943.7	372.7				
	15	1157.6	328.6	1090.0	358.0	1064.0	369.1	1025.5	385.3				
3804 ELN	5	865.4	262.3	806.4	289.6	784.0	300.2	751.1	316.0	720.4	331.7	700.2	341.8
	6	891.8	265.9	832.2	292.9	809.5	303.6	776.6	319.6	745.3	335.1	724.7	345.5
	7	919.1	269.3	858.9	296.3	835.6	307.3	802.1	323.3	770.5	338.7	749.6	349.1
	8	946.5	272.7	885.7	300.0	862.0	310.6	827.9	326.7	795.7	342.4		
	9	974.1	276.6	912.4	303.6	888.7	314.3	854.0	330.6	821.5	345.8		
	10	1002.0	280.3	939.1	307.5	915.7	318.2	879.8	334.2				
	11	1030.6	284.2	967.0	311.5	942.8	322.2	907.2	337.9				
	12	1058.9	288.4	995.3	315.4	969.8	326.1	934.5	341.6				
	15	1146.4	301.1	1079.4	328.1	1053.6	338.2	1015.6	353.1				
4004 ELN	5	937.9	290.4	874.0	320.6	849.7	332.5	814.1	349.9	780.8	367.3	758.8	378.5
	6	966.5	294.5	902.0	324.4	877.3	336.2	841.7	353.9	807.8	371.1	785.5	382.6
	7	996.2	298.2	930.9	328.1	905.6	340.2	869.3	358.0	835.1	375.1	812.4	386.6
	8	1025.8	302.0	959.9	332.2	934.2	344.0	897.3	361.7	862.4	379.2		
	9	1055.7	306.3	988.8	336.2	963.2	348.0	925.6	366.1	890.3	382.9		
	10	1086.0	310.4	1017.8	340.6	992.5	352.4	953.5	370.1				
	11	1117.0	314.7	1048.1	344.9	1021.8	356.7	983.2	374.2				
	12	1147.6	319.4	1078.7	349.3	1051.1	361.1	1012.8	378.2				
	15	1242.4	333.4	1169.9	363.3	1141.9	374.5	1100.7	391.0				

Notes : - LWT : Leaving water temperature.
 - Power input given for compressors only.

Cooling capacities - SLS HET

SLS models	LWT (°C)	Condenser entering air temperature - °C																
		25		30		32		35		38		40		44		46		
		Cool. cap. (kW)	Power input (kW)	Cool. cap. (kW)	Power input (kW)	Cool. cap. (kW)	Power input (kW)	Cool. cap. (kW)	Power input (kW)	Cool. cap. (kW)	Power input (kW)	Cool. cap. (kW)	Power input (kW)	Cool. cap. (kW)	Power input (kW)	Cool. cap. (kW)	Power input (kW)	
1202 HET	5	290.7	78.9	270.9	87.1	263.4	90.3	252.3	95.1	242.0	99.8	235.2	102.9	222.3	109.1	216.3	112.1	
	6	299.6	80.0	279.6	88.1	271.9	91.4	260.9	96.2	250.4	100.8	243.4	104.0	230.6	110.1	224.3	113.2	
	7	308.7	81.0	288.5	89.2	280.7	92.5	269.4	97.3	258.8	101.9	251.8	105.1	238.6	111.2	232.2	114.4	
	8	317.9	82.1	297.5	90.3	289.6	93.5	278.1	98.3	267.3	103.0	260.3	106.2	246.8	112.3			
	9	327.2	83.2	306.5	91.4	298.5	94.6	286.9	99.5	275.9	104.0	268.8	107.2	255.1	113.4			
	10	336.6	84.3	315.5	92.5	307.6	95.8	295.5	100.6	284.5	105.2	277.3	108.3	263.3	114.5			
	11	346.2	85.5	324.8	93.7	316.7	96.9	304.7	101.7	293.3	106.3	285.8	109.4	271.5	115.4			
	12	355.7	86.8	334.3	94.9	325.8	98.1	313.9	102.8	302.1	107.4	294.5	110.4					
15	385.1	90.6	362.6	98.7	353.9	101.8	341.1	106.2	328.6	110.6	320.2	113.4						
1402 HET	5	328.5	85.3	306.2	94.2	297.6	97.7	285.2	102.8	273.5	107.9	265.8	111.2	251.2	118.0	244.5	121.2	
	6	338.6	86.5	315.9	95.3	307.3	98.8	294.8	104.0	283.0	109.0	275.1	112.4	260.6	119.1	253.5	122.4	
	7	348.9	87.6	326.1	96.4	317.2	100.0	304.5	105.2	292.5	110.2	284.6	113.6	269.7	120.3	262.4	123.6	
	8	359.3	88.7	336.2	97.6	327.3	101.0	314.3	106.3	302.1	111.4	294.1	114.8	278.9	121.4			
	9	369.8	90.0	346.4	98.8	337.4	102.2	324.2	107.5	311.9	112.5	303.8	115.9	288.3	122.5			
	10	380.4	91.2	356.5	100.0	347.7	103.5	334.0	108.7	321.5	113.8	313.4	117.1	297.5	123.7			
	11	391.3	92.5	367.1	101.3	357.9	104.8	344.4	109.9	331.5	114.9	323.1	118.2	306.9	124.7			
	12	402.0	93.8	377.9	102.6	368.2	106.1	354.8	111.1	341.5	116.1	332.9	119.3					
15	435.2	97.9	409.8	106.7	400.0	110.0	385.5	114.9	371.3	119.6	361.9	122.6						
1602 HET	5	383.5	98.7	357.4	109.0	347.4	113.0	332.9	118.9	319.3	124.9	310.3	128.7	293.3	136.5	285.4	140.2	
	6	395.2	100.1	368.8	110.3	358.7	114.3	344.2	120.3	330.3	126.1	321.2	130.1	304.2	137.8	295.9	141.6	
	7	407.3	101.4	380.6	111.5	370.3	115.7	355.5	121.7	341.4	127.5	332.2	131.4	314.8	139.2	306.3	143.1	
	8	419.4	102.6	392.5	112.9	382.0	116.9	366.9	123.0	352.6	128.9	343.4	132.8	325.5	140.4			
	9	431.7	104.1	404.3	114.3	393.8	118.3	378.5	124.4	364.0	130.2	354.6	134.1	336.5	141.8			
	10	444.1	105.5	416.2	115.8	405.8	119.8	389.9	125.8	375.3	131.6	365.8	135.5	347.3	143.2			
	11	456.7	107.0	428.5	117.3	417.8	121.3	402.0	127.2	386.9	133.0	377.1	136.8	358.2	144.3			
	12	469.2	108.6	441.1	118.7	429.8	122.8	414.1	128.6	398.6	134.4	388.5	138.1					
15	508.0	113.3	478.4	123.5	466.9	127.3	450.0	132.9	433.4	138.4	422.4	141.9						
1802 HET	5	422.7	115.2	393.9	127.2	383.0	131.9	366.9	138.8	351.9	145.7	342.0	150.1	323.3	159.3	314.6	163.6	
	6	435.6	116.8	406.5	128.7	395.4	133.4	379.4	140.4	364.1	147.2	354.0	151.8	335.3	160.8	326.1	165.2	
	7	449.0	118.3	419.6	130.1	408.2	135.0	391.8	142.0	376.4	148.8	366.2	153.4	347.0	162.4	337.7	166.9	
	8	462.3	119.8	432.6	131.8	421.1	136.4	404.4	143.5	388.7	150.4	378.5	155.0	358.8	163.9			
	9	475.8	121.5	445.7	133.4	434.1	138.0	417.2	145.2	401.3	151.9	390.9	156.4	371.0	165.5			
	10	489.5	123.1	458.7	135.1	447.3	139.8	429.8	146.8	413.7	153.6	403.2	158.1	382.8	167.1			
	11	503.4	124.8	472.4	136.8	460.5	141.5	443.1	148.4	426.5	155.2	415.7	159.7	394.8	168.4			
	12	517.2	126.7	486.2	138.5	473.7	143.2	456.5	150.0	439.4	156.8	428.3	161.1					
15	560.0	132.2	527.3	144.1	514.7	148.5	496.1	155.1	477.8	161.5	465.6	165.6						
1902 HET	5	466.6	120.3	434.8	132.8	422.7	137.7	405.0	144.9	388.5	152.2	377.5	156.8	356.8	166.3	347.2	170.9	
	6	480.9	122.0	448.7	134.4	436.5	139.3	418.8	146.6	401.9	153.7	390.8	158.5	370.1	167.9	360.0	172.5	
	7	495.6	123.5	463.1	135.9	450.6	140.9	432.5	148.3	415.5	155.4	404.2	160.2	383.0	169.6	372.7	174.3	
	8	510.3	125.1	477.6	137.6	464.8	142.5	446.4	149.8	429.0	157.1	417.8	161.8	396.1	171.1			
	9	525.2	126.9	492.0	139.3	479.2	144.2	460.5	151.6	442.9	158.6	431.5	163.4	409.5	172.8			
	10	540.3	128.6	506.4	141.1	493.8	146.0	474.4	153.3	456.7	160.4	445.1	165.1	422.6	174.5			
	11	555.7	130.4	521.4	142.9	508.4	147.8	489.1	155.0	470.8	162.1	458.8	166.7	435.8	175.9			
	12	570.9	132.3	536.7	144.7	522.9	149.6	503.9	156.7	485.0	163.8	472.8	168.3					
15	618.1	138.1	582.0	150.5	568.1	155.1	547.6	162.0	527.4	168.7	514.0	172.9						
2002 HET	5	515.0	131.5	479.9	145.2	466.6	150.5	447.0	158.4	428.7	166.3	416.7	171.4	393.8	181.8	383.2	186.8	
	6	530.7	133.3	495.3	146.9	481.7	152.2	462.2	160.3	443.5	168.0	431.3	173.2	408.4	183.5	397.3	188.6	
	7	547.0	135.0	511.2	148.6	497.3	154.1	477.3	162.1	458.5	169.8	446.1	175.1	422.7	185.3	411.4	190.6	
	8	563.2	136.7	527.1	150.4	513.0	155.7	492.7	163.8	473.5	171.7	461.1	176.9	437.1	187.0			
	9	579.7	138.7	543.0	152.2	528.9	157.6	508.2	165.8	488.9	173.4	476.2	178.6	451.9	188.9			
	10	596.3	140.5	558.9	154.2	545.0	159.6	523.6	167.6	504.0	175.3	491.2	180.4	466.4	190.7			
	11	613.3	142.5	575.5	156.2	561.0	161.5	539.8	169.4	519.6	177.2	506.4	182.2	481.0	192.3			
	12	630.1	144.6	592.3	158.1	577.1	163.5	556.1	171.3	535.3	179.0	521.8	183.9					
15	682.2	151.0	642.4	164.5	627.0	169.6	604.4	177.0	582.1	184.4	567.3	189.0						

Notes : - LWT : Leaving water temperature.
 - Power input given for compressors only.

Cooling capacities - SLS HET (cont'd)

SLS models	LWT (°C)	Condenser entering air temperature - °C															
		25		30		32		35		38		40		44		46	
		Cool. cap. (kW)	Power input (kW)	Cool. cap. (kW)	Power input (kW)	Cool. cap. (kW)	Power input (kW)	Cool. cap. (kW)	Power input (kW)	Cool. cap. (kW)	Power input (kW)	Cool. cap. (kW)	Power input (kW)	Cool. cap. (kW)	Power input (kW)	Cool. cap. (kW)	Power input (kW)
2202 HET	5	569.7	144.2	530.9	159.2	516.2	165.1	494.5	173.7	474.3	182.4	461.0	187.9	435.7	199.4	424.0	204.8
	6	587.1	146.2	547.9	161.1	532.9	166.9	511.3	175.7	490.7	184.2	477.1	190.0	451.9	201.2	439.5	206.8
	7	605.1	148.1	565.5	162.9	550.1	168.9	528.1	177.7	507.3	186.2	493.5	192.0	467.6	203.2	455.1	209.0
	8	623.1	149.9	583.1	164.9	567.5	170.8	545.1	179.6	523.8	188.3	510.1	194.0	483.6	205.1		
	9	641.3	152.1	600.7	166.9	585.1	172.8	562.2	181.8	540.8	190.1	526.9	195.8	500.0	207.1		
	10	659.7	154.1	618.2	169.1	602.9	175.0	579.2	183.8	557.6	192.3	543.4	197.8	515.9	209.1		
	11	678.5	156.3	636.6	171.3	620.7	177.1	597.2	185.8	574.8	194.3	560.2	199.8	532.1	210.8		
	12	697.1	158.6	655.2	173.4	638.5	179.3	615.2	187.8	592.2	196.3	577.2	201.7				
	15	754.7	165.5	710.6	180.4	693.7	185.9	668.6	194.1	643.9	202.2	627.5	207.3				
2402 HET	5	610.2	150.3	568.6	165.9	552.8	172.0	529.6	181.1	508.0	190.1	493.7	195.9	466.6	207.8	454.1	213.4
	6	628.8	152.4	586.8	167.9	570.8	174.0	547.6	183.2	525.5	192.0	511.0	198.0	483.9	209.7	470.7	215.5
	7	648.1	154.3	605.6	169.8	589.2	176.1	565.6	185.3	543.3	194.1	528.5	200.1	500.8	211.8	487.4	217.8
	8	667.3	156.3	624.5	171.9	607.8	178.0	583.8	187.2	561.0	196.2	546.3	202.2	517.9	213.8		
	9	686.8	158.5	643.3	174.0	626.6	180.1	602.2	189.4	579.2	198.1	564.3	204.1	535.5	215.9		
	10	706.5	160.6	662.1	176.2	645.7	182.4	620.3	191.5	597.2	200.4	582.0	206.2	552.6	218.0		
	11	726.7	162.9	681.8	178.5	664.7	184.6	639.6	193.6	615.6	202.5	600.0	208.3	569.9	219.7		
	12	746.6	165.3	701.8	180.7	683.8	186.9	658.9	195.7	634.2	204.6	618.2	210.2				
	15	808.3	172.5	761.1	188.0	742.9	193.8	716.1	202.3	689.6	210.7	672.1	216.0				
2602 HET	5	667.5	166.3	622.0	183.6	604.7	190.4	579.4	200.4	555.7	210.4	540.1	216.8	510.5	230.0	496.7	236.2
	6	687.9	168.6	641.9	185.8	624.4	192.5	599.0	202.7	574.9	212.5	559.0	219.1	529.4	232.1	515.0	238.5
	7	708.9	170.8	662.5	187.9	644.5	194.8	618.7	205.0	594.3	214.8	578.2	221.4	547.9	234.4	533.2	241.0
	8	730.0	172.9	683.1	190.2	664.9	197.0	638.6	207.1	613.7	217.1	597.6	223.7	566.6	236.6		
	9	751.3	175.4	703.7	192.5	685.5	199.3	658.7	209.6	633.6	219.3	617.3	225.9	585.8	238.9		
	10	772.9	177.7	724.3	195.0	706.3	201.8	678.6	212.0	653.3	221.8	636.7	228.2	604.5	241.2		
	11	794.9	180.2	745.9	197.5	727.2	204.3	699.7	214.3	673.4	224.1	656.4	230.5	623.4	243.2		
	12	816.7	182.9	767.7	200.0	748.0	206.8	720.8	216.6	693.8	226.4	676.3	232.6				
	15	884.2	190.9	832.6	208.0	812.7	214.5	783.3	223.9	754.4	233.2	735.2	239.1				
3002 HET	5	726.8	183.4	677.3	202.4	658.5	209.9	630.9	220.9	605.1	231.9	588.0	239.0	555.8	253.5	540.8	260.4
	6	749.0	185.9	698.9	204.8	679.9	212.2	652.3	223.5	626.0	234.3	608.7	241.5	576.4	255.9	560.7	263.0
	7	771.9	188.3	721.4	207.1	701.8	214.8	673.7	226.0	647.1	236.8	629.6	244.1	596.6	258.4	580.6	265.7
	8	794.9	190.6	743.8	209.7	724.0	217.2	695.3	228.4	668.3	239.4	650.7	246.6	616.9	260.8		
	9	818.1	193.4	766.3	212.2	746.4	219.7	717.3	231.1	689.9	241.7	672.1	249.0	637.8	263.3		
	10	841.6	195.9	788.7	215.0	769.1	222.5	738.9	233.7	711.3	244.5	693.3	251.6	658.2	265.9		
	11	865.6	198.7	812.2	217.8	791.8	225.2	761.9	236.2	733.2	247.0	714.7	254.1	678.8	268.1		
	12	889.3	201.6	835.9	220.5	814.5	228.0	784.8	238.8	755.4	249.6	736.3	256.5				
	15	962.8	210.5	906.6	229.3	884.9	236.4	852.9	246.8	821.5	287.3	800.6	263.5				
3402 HET	5	790.7	204.8	736.8	226.1	716.3	234.4	686.3	246.7	658.3	259.0	639.7	266.9	604.7	283.1	588.4	290.8
	6	814.8	207.6	760.4	228.7	739.6	237.1	709.6	249.6	681.0	261.6	662.2	269.8	627.1	285.8	610.0	293.7
	7	839.8	210.3	784.8	231.3	763.5	239.9	732.9	252.4	704.0	264.5	684.9	272.6	649.0	288.6	631.6	296.8
	8	864.8	212.9	809.2	234.2	787.6	242.5	756.5	255.0	727.0	267.3	707.9	275.5	671.2	291.3		
	9	890.0	216.0	833.6	237.1	812.0	245.4	780.3	258.1	750.6	270.0	731.2	278.1	693.9	294.1		
	10	915.6	218.8	858.0	240.1	836.7	248.5	803.9	261.0	773.9	273.0	754.2	280.9	716.1	297.0		
	11	941.7	221.9	883.6	243.2	861.4	251.5	828.9	263.8	797.7	275.9	777.5	283.8	738.5	299.4		
	12	967.5	225.2	909.4	246.3	886.1	254.6	853.8	266.7	821.8	278.8	801.1	286.4				
	15	1047.4	235.1	986.3	256.1	962.7	264.0	927.9	275.7	893.7	287.1	870.9	294.3				
3802 HET	5	859.3	232.0	800.8	256.1	778.5	265.5	745.9	279.4	715.4	293.4	695.3	302.3	657.2	320.7	639.5	329.4
	6	885.6	235.2	826.4	259.1	803.8	268.5	771.2	282.7	740.1	296.3	719.7	305.5	681.5	323.7	662.9	332.6
	7	912.7	238.2	852.9	262.0	829.7	271.7	796.5	285.9	765.1	299.6	744.4	308.8	705.3	326.9	686.4	336.1
	8	939.8	241.2	879.5	265.3	856.0	274.7	822.1	288.9	790.1	302.8	769.4	312.0	729.4	329.9		
	9	967.3	244.6	906.0	268.5	882.5	277.9	848.0	292.4	815.7	305.8	794.7	315.0	754.1	333.1		
	10	995.0	247.9	932.5	272.0	909.3	281.4	873.7	295.6	841.0	309.3	819.7	318.2	778.2	336.4		
	11	1023.4	251.3	960.3	275.5	936.2	284.9	900.8	298.8	867.0	312.5	845.0	321.5	802.6	339.1		
	12	1051.4	255.1	988.3	278.9	963.0	288.4	927.9	302.1	893.2	315.7	870.6	324.4				
	15	1138.4	266.3	1071.9	290.1	1046.3	299.1	1008.4	312.3	971.2	325.2	946.5	333.4				

Notes : - LWT : Leaving water temperature.
 - Power input given for compressors only.

Cooling capacities - SLS HET (cont'd)

SLS models	LWT (°C)	Condenser entering air temperature - °C															
		25		30		32		35		38		40		44		46	
		Cool. cap. (kW)	Power input (kW)	Cool. cap. (kW)	Power input (kW)	Cool. cap. (kW)	Power input (kW)	Cool. cap. (kW)	Power input (kW)	Cool. cap. (kW)	Power input (kW)	Cool. cap. (kW)	Power input (kW)	Cool. cap. (kW)	Power input (kW)	Cool. cap. (kW)	Power input (kW)
4202 HET	5	948.8	262.9	884.1	290.3	859.5	301.0	823.5	316.8	789.8	332.6	767.6	342.7	725.5	363.6	706.0	373.4
	6	977.7	266.6	912.4	293.7	887.5	304.4	851.5	320.4	817.1	335.9	794.6	346.4	752.5	366.9	731.9	377.1
	7	1007.7	270.0	941.7	297.0	916.1	308.0	879.4	324.1	844.7	339.6	821.8	350.0	778.7	370.6	757.9	381.0
	8	1037.6	273.4	971.0	300.7	945.1	311.4	907.7	327.5	872.3	343.3	849.4	353.7	805.3	374.0		
	9	1067.9	277.3	1000.3	304.4	974.3	315.1	936.3	331.4	900.6	346.6	877.4	357.1	832.6	377.6		
	10	1098.6	281.0	1029.6	308.3	1004.0	319.0	964.6	335.1	928.6	350.6	905.0	360.7	859.2	381.3		
	11	1129.9	284.9	1060.2	312.3	1033.6	323.0	994.5	338.8	957.2	354.3	932.9	364.4	886.1	384.4		
	12	1160.9	289.2	1091.2	316.2	1063.2	326.9	1024.5	342.4	986.1	357.9	961.2	367.8				
	15	1256.8	301.8	1183.4	328.9	1155.1	339.0	1113.4	354.0	1072.3	368.6	1045.0	377.9				
3804 HET	5	926.6	242.8	863.4	268.0	839.4	277.9	804.2	292.5	771.4	307.1	749.7	316.4	708.6	335.7	689.5	344.8
	6	954.8	246.2	891.0	271.1	866.7	281.0	831.5	295.9	798.0	310.2	776.0	319.8	734.9	338.8	714.8	348.2
	7	984.1	249.3	919.6	274.3	894.7	284.4	858.8	299.3	825.0	313.6	802.6	323.2	760.5	342.2	740.1	351.8
	8	1013.4	252.4	948.3	277.7	922.9	287.5	886.4	302.4	851.9	316.9	829.6	326.6	786.5	345.3		
	9	1042.9	256.1	976.9	281.0	951.5	290.9	914.4	306.0	879.5	320.1	856.8	329.7	813.1	348.7		
	10	1072.9	259.4	1005.5	284.7	980.5	294.6	942.0	309.4	906.8	323.7	883.8	333.1	839.1	352.1		
	11	1103.4	263.1	1035.4	288.3	1009.4	298.2	971.3	312.8	934.8	327.1	911.1	336.5	865.4	354.9		
	12	1133.7	267.0	1065.6	292.0	1038.3	301.9	1000.5	316.2	963.0	330.5	938.7	339.6				
	15	1227.4	278.7	1155.7	303.7	1128.1	313.0	1087.3	326.8	1047.2	340.4	1020.6	349.0				
4004 HET	5	1011.1	268.6	942.2	296.5	916.0	307.4	877.7	323.6	841.8	339.7	818.1	350.0	773.2	371.3	752.4	381.4
	6	1042.0	272.3	972.4	300.0	945.8	310.9	907.4	327.3	870.8	343.1	846.8	353.8	801.9	374.8	780.1	385.2
	7	1073.9	275.8	1003.6	303.4	976.3	314.6	937.2	331.0	900.3	346.9	875.9	357.5	829.9	378.5	807.7	389.2
	8	1105.9	279.2	1034.8	307.2	1007.2	318.1	967.4	334.5	929.7	350.6	905.3	361.3	858.3	382.0		
	9	1138.2	283.3	1066.0	310.9	1038.4	321.8	997.9	338.5	959.8	354.1	935.1	364.7	887.3	385.7		
	10	1170.8	287.0	1097.2	314.9	1070.0	325.9	1028.0	342.3	989.6	358.1	964.5	368.5	915.7	389.5		
	11	1204.2	291.0	1129.9	319.0	1101.6	329.9	1059.9	346.0	1020.1	361.8	994.3	372.2	944.4	392.6		
	12	1237.2	295.3	1162.9	323.0	1133.1	333.9	1091.9	349.8	1051.0	365.6	1024.4	375.7				
	15	1339.4	308.3	1261.2	335.9	1231.1	346.3	1186.6	361.6	1142.8	376.5	1113.8	386.0				

Notes : - LWT : Leaving water temperature.
 - Power input given for compressors only.

Heat Rejection - SLS 1202 to 2202 with Total Heat Recovery

Models	LWT (°C)	Condenser - LWT														
		30			35			40			45			50		
		Cooling capacity (kW)	Power Input (kW)	Heat rejection (kW)	Cooling capacity (kW)	Power Input (kW)	Heat rejection (kW)	Cooling capacity (kW)	Power Input (kW)	Heat rejection (kW)	Cooling capacity (kW)	Power Input (kW)	Heat rejection (kW)	Cooling capacity (kW)	Power Input (kW)	Heat rejection (kW)
SLS 1202	5	311.2	68.3	360.5	294.4	75.7	351.6	274.4	83.5	340.0	255.6	91.2	329.4	238.2	98.6	320.0
	6	320.4	69.3	370.2	303.4	76.7	361.1	283.2	84.5	349.3	264.2	92.2	338.6	246.6	99.7	329.0
	7	330.0	70.2	380.2	312.7	77.7	370.9	292.2	85.5	358.9	272.9	93.3	347.9	255.0	100.7	338.0
	8	339.6	71.3	390.3	322.0	78.7	380.7	301.3	86.6	368.5	281.7	94.3	357.1	263.6	101.8	347.1
	9	349.2	72.4	400.5	331.4	79.8	390.7	310.4	87.6	378.1	290.6	95.4	366.7	272.3	102.8	356.3
	10	359.0	73.5	410.8	340.9	80.9	400.7	319.5	88.7	387.8	299.3	96.4	376.0	280.9	103.8	365.4
	11	369.2	74.7	421.7	350.6	82.0	411.0	329.0	89.9	398.0	308.6	97.5	385.8	289.5	104.9	374.7
	12	379.4	76.0	432.6	360.3	83.2	421.3	338.6	91.0	408.2	317.9	98.6	395.7	298.3	105.9	383.9
15	410.7	80.2	466.4	390.0	86.9	453.1	367.3	94.7	438.8	345.5	101.9	425.0	324.3	108.8	411.4	
SLS 1402	5	351.6	74.0	404.3	332.7	82.1	394.0	310.0	90.6	380.6	288.7	98.9	368.2	269.1	107.0	357.3
	6	361.9	75.1	415.2	342.8	83.2	404.7	319.9	91.7	391.0	298.5	100.0	378.6	278.6	108.1	367.4
	7	372.8	76.2	426.5	353.3	84.3	415.7	330.2	92.7	401.7	308.3	101.2	389.0	288.1	109.3	377.5
	8	383.7	77.3	437.9	363.8	85.3	426.7	340.4	93.9	412.6	318.3	102.2	399.4	297.8	110.4	387.8
	9	394.6	78.5	449.4	374.4	86.6	437.9	350.7	95.0	423.4	328.3	103.4	410.1	307.6	111.5	398.1
	10	405.5	79.7	461.0	385.2	87.7	449.2	361.0	96.2	434.4	338.2	104.6	420.7	317.3	112.6	408.4
	11	417.1	81.0	473.2	396.2	88.9	460.8	371.7	97.5	445.7	348.7	105.7	431.7	327.1	113.7	418.8
	12	428.6	82.4	485.5	407.0	90.3	472.4	382.6	98.7	457.2	359.2	106.9	442.8	337.0	114.8	429.2
15	464.1	87.0	523.5	440.7	94.2	508.1	414.9	102.7	491.7	390.4	110.5	475.8	366.4	118.0	460.2	
SLS 1602	5	402.8	87.5	465.7	381.1	97.0	454.2	355.1	107.1	439.1	330.8	116.9	425.3	308.3	126.4	413.0
	6	414.7	88.8	478.3	392.7	98.4	466.5	366.5	108.3	451.1	342.0	118.2	437.2	319.2	127.8	424.6
	7	427.1	90.0	491.3	404.8	99.6	479.1	378.2	109.6	463.4	353.2	119.6	449.2	330.1	129.1	436.3
	8	439.5	91.3	504.3	416.8	100.9	491.8	390.0	110.9	475.9	364.6	120.8	461.1	341.2	130.5	448.1
	9	452.0	92.8	517.6	429.0	102.3	504.7	401.8	112.3	488.4	376.1	122.3	473.4	352.4	131.7	459.9
	10	464.6	94.2	530.9	441.3	103.7	517.7	413.5	113.7	500.9	387.4	123.6	485.5	363.5	133.1	471.8
	11	477.8	95.8	544.9	453.8	105.1	531.0	425.9	115.2	514.0	399.5	125.0	498.2	374.7	134.4	483.7
	12	491.0	97.4	559.0	466.3	106.7	544.3	438.3	116.7	527.2	411.5	126.3	511.0	386.1	135.7	495.7
15	531.6	102.8	602.7	504.8	111.4	585.4	475.3	121.3	566.9	447.2	130.6	548.9	419.8	139.4	531.2	
SLS 1802	5	450.0	101.0	523.5	425.8	111.9	510.9	396.8	123.6	494.4	369.6	134.9	479.2	344.5	145.9	465.9
	6	463.3	102.5	537.5	438.8	113.5	524.7	409.5	125.0	507.8	382.1	136.4	492.6	356.6	147.5	478.9
	7	477.2	103.9	552.1	452.3	114.9	538.8	422.6	126.5	521.7	394.7	138.0	506.0	368.9	149.0	492.0
	8	491.1	105.4	566.7	465.7	116.4	553.0	435.8	128.0	535.6	407.4	139.4	519.5	381.2	150.6	505.2
	9	505.1	107.1	581.5	479.3	118.1	567.5	448.9	129.6	549.6	420.2	141.1	533.3	393.8	152.0	518.5
	10	519.1	108.7	596.5	493.1	119.6	582.1	462.1	131.3	563.7	432.9	142.7	546.8	406.2	153.6	531.8
	11	533.9	110.5	612.2	507.1	121.3	597.0	475.8	132.9	578.3	446.4	144.2	561.1	418.7	155.1	545.2
	12	548.6	112.4	628.0	521.0	123.1	611.9	489.7	134.6	593.1	459.8	145.8	575.3	431.4	156.6	558.6
15	594.0	118.6	677.0	564.1	128.5	658.0	531.1	140.0	637.6	499.7	150.7	617.9	469.0	160.9	598.4	
SLS 1902	5	502.3	103.5	575.6	475.3	114.8	560.6	442.9	126.7	541.2	412.6	138.3	523.3	384.6	149.6	507.4
	6	517.2	105.1	591.2	489.8	116.4	575.9	457.1	128.2	556.0	426.6	139.9	538.1	398.1	151.2	521.8
	7	532.7	106.5	607.3	504.8	117.8	591.5	471.8	129.6	571.4	440.6	141.5	552.9	411.7	152.8	536.3
	8	548.2	108.0	623.4	519.9	119.3	607.2	486.5	131.2	586.8	454.7	142.9	567.8	425.6	154.4	550.9
	9	563.8	109.8	639.9	535.0	121.0	623.3	501.1	132.8	602.3	469.1	144.6	583.0	439.6	155.8	565.6
	10	579.5	111.5	656.4	550.4	122.6	639.4	515.8	134.6	617.9	483.3	146.2	598.0	453.4	157.4	580.3
	11	596.0	113.3	673.8	566.1	124.4	655.9	531.2	136.3	634.1	498.3	147.8	613.8	467.4	159.0	595.1
	12	612.4	115.2	691.3	581.6	126.2	672.4	546.7	138.0	650.4	513.3	149.4	629.6	481.6	160.5	610.0
15	663.1	121.6	745.5	629.7	131.7	723.3	592.9	143.5	699.6	557.8	154.5	676.7	523.6	164.9	654.1	
SLS 2002	5	543.2	115.4	625.7	514.0	127.9	609.8	479.0	141.2	589.2	446.1	154.1	570.2	415.8	166.7	553.4
	6	559.2	117.1	642.6	529.7	129.7	626.4	494.3	142.9	605.3	461.3	155.9	586.3	430.4	168.5	569.0
	7	576.1	118.7	660.0	545.9	131.3	643.4	510.1	144.5	621.9	476.4	157.7	602.4	445.2	170.3	584.7
	8	592.8	120.4	677.5	562.1	133.0	660.4	526.0	146.3	638.7	491.7	159.3	618.5	460.2	172.1	600.6
	9	609.6	122.4	695.4	578.5	134.9	677.8	541.9	148.1	655.5	507.2	161.2	635.0	475.3	173.7	616.6
	10	626.6	124.2	713.3	595.1	136.7	695.2	557.7	150.0	672.4	522.5	163.0	651.3	490.3	175.5	632.5
	11	644.5	126.3	732.2	612.1	138.6	713.2	574.3	151.9	689.9	538.8	164.8	668.4	505.4	177.3	648.5
	12	662.2	128.5	751.2	628.9	140.7	731.1	591.1	153.8	707.7	555.0	166.6	685.5	520.7	178.9	664.7
15	717.0	135.6	809.9	680.9	146.8	786.3	641.1	160.0	761.0	603.2	172.2	736.6	566.1	183.9	712.5	
SLS 2202	5	602.9	126.6	693.0	570.5	140.3	675.3	531.6	154.9	652.2	495.2	169.1	631.0	461.6	182.9	612.3
	6	620.7	128.5	711.8	587.9	142.3	693.7	548.6	156.7	670.1	512.0	171.0	648.9	477.8	184.9	629.5
	7	639.4	130.2	731.1	605.9	144.1	712.5	566.2	158.5	688.5	528.8	173.0	666.7	494.2	186.8	646.9
	8	658.0	132.1	750.6	623.9	145.9	731.4	583.9	160.5	707.1	545.8	174.8	684.6	510.8	188.8	664.6
	9	676.7	134.2	770.4	642.2	148.0	750.7	601.5	162.5	725.7	563.0	176.9	702.9	527.6	190.6	682.2
	10	695.5	136.3	790.2	660.6	150.0	770.0	619.1	164.6	744.5	580.0	178.8	720.9	544.2	192.5	699.9
	11	715.3	138.5	811.2	679.4	152.1	789.9	637.5	166.7	764.0	598.0	180.8	739.9	561.0	194.5	717.7
	12	735.1	140.9	832.2	698.0	154.3	809.7	656.1	168.8	783.7	616.0	182.8	758.9	578.0	196.3	735.6
15	795.9	148.7	897.3	755.7	161.1	871.0	711.6	175.5	842.8	669.5	188.9	815.5	628.4	201.7	788.6	

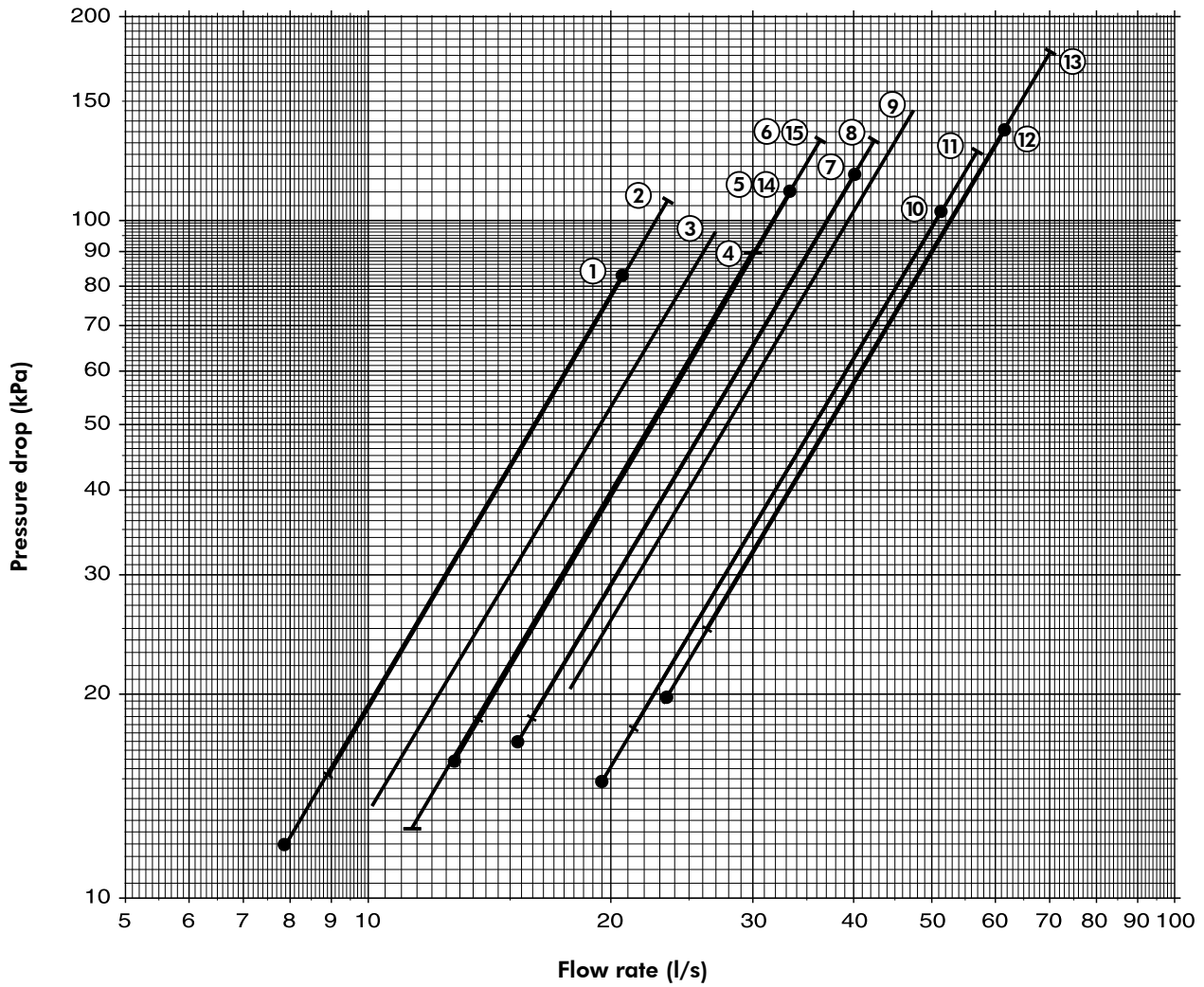
Notes : - LWT : Leaving water temperature.
 - Power input given for compressors only.

Heat Rejection - SLS 2402 to 4202 with Total Heat Recovery

Models	LWT (°C)	Condenser - LWT															
		30			35			40			45			50			
		Cooling capacity (kW)	Power Input (kW)	Heat rejection (kW)	Cooling capacity (kW)	Power Input (kW)	Heat rejection (kW)	Cooling capacity (kW)	Power Input (kW)	Heat rejection (kW)	Cooling capacity (kW)	Power Input (kW)	Heat rejection (kW)	Cooling capacity (kW)	Power Input (kW)	Heat rejection (kW)	
SLS 2402	5	633.0	135.7	730.3	598.9	150.5	711.9	558.1	166.1	688.0	519.9	181.3	666.1	484.6	196.1	646.7	
	6	651.7	137.8	750.0	617.2	152.6	731.3	576.0	168.0	706.8	537.5	183.4	684.8	501.6	198.2	664.8	
	7	671.3	139.6	770.4	636.1	154.5	751.1	594.5	170.0	726.2	555.2	185.4	703.6	518.8	200.3	683.1	
	8	690.8	141.6	790.8	655.1	156.4	770.9	613.0	172.1	745.8	573.0	187.4	722.4	536.2	202.4	701.7	
	9	710.4	143.9	811.6	674.2	158.7	791.2	631.5	174.2	765.3	591.1	189.6	741.7	553.9	204.3	720.3	
	10	730.2	146.1	832.5	693.5	160.8	811.6	650.0	176.4	785.1	608.9	191.7	760.6	571.3	206.4	738.8	
	11	751.0	148.5	854.6	713.3	163.0	832.5	669.3	178.7	805.6	627.9	193.8	780.6	589.0	208.5	757.6	
	12	771.7	151.1	876.7	732.9	165.5	853.4	688.9	180.9	826.3	646.8	195.9	800.6	606.8	210.4	776.4	
	15	835.5	159.4	945.2	793.4	172.7	917.8	747.1	188.2	888.5	702.9	202.5	860.2	659.7	216.2	832.2	
SLS 2602	5	706.3	146.2	809.9	668.3	162.1	788.9	622.7	179.0	761.6	580.1	195.3	736.6	540.7	211.3	714.4	
	6	727.1	148.4	831.8	688.7	164.4	810.4	642.7	181.0	782.5	599.7	197.5	757.4	559.7	213.5	734.5	
	7	749.0	150.4	854.4	709.8	166.4	832.4	663.3	183.1	804.1	619.4	199.8	778.3	578.9	215.8	754.9	
	8	770.7	152.6	877.2	730.9	168.5	854.4	683.9	185.4	825.8	639.4	201.9	799.2	598.3	218.0	775.5	
	9	792.6	155.1	900.3	752.2	171.0	877.0	704.6	187.6	847.6	659.5	204.3	820.6	618.0	220.1	796.2	
	10	814.7	157.4	923.6	773.8	173.2	899.7	725.2	190.1	869.5	679.4	206.6	841.7	637.5	222.4	816.8	
	11	837.9	160.0	948.1	795.9	175.6	922.9	746.8	192.5	892.3	700.5	208.8	863.9	657.1	224.6	837.7	
	12	861.1	162.8	972.6	817.7	178.3	946.1	768.6	194.9	915.4	721.6	211.1	886.1	677.1	226.7	858.6	
	15	932.3	171.8	1048.8	885.3	186.1	1017.8	833.6	202.8	984.5	784.2	218.2	952.3	736.1	233.0	920.6	
SLS 3002	5	770.5	161.1	885.0	729.0	178.6	862.2	679.4	197.1	832.7	632.8	215.1	805.5	589.8	232.7	781.4	
	6	793.2	163.5	908.9	751.3	181.0	885.7	701.1	199.4	855.5	654.3	217.6	828.3	610.5	235.2	803.5	
	7	817.1	165.7	933.6	774.3	183.3	909.8	723.6	201.7	879.0	675.7	220.1	851.0	631.5	237.7	825.7	
	8	840.8	168.1	958.5	797.3	185.6	933.8	746.1	204.2	902.8	697.5	222.4	873.9	652.7	240.2	848.2	
	9	864.7	170.8	983.7	820.6	188.3	958.5	768.6	206.7	926.5	719.5	225.1	897.3	674.2	242.5	870.8	
	10	888.8	173.4	1009.1	844.2	190.8	983.2	791.1	209.4	950.5	741.2	227.5	920.3	695.4	245.0	893.3	
	11	914.1	176.3	1035.9	868.2	193.5	1008.6	814.7	212.0	975.4	764.2	230.0	944.5	716.9	247.4	916.1	
	12	939.3	179.3	1062.7	892.0	196.3	1033.9	838.5	214.7	1000.5	787.2	232.5	968.8	738.6	249.7	938.9	
	15	1017.0	189.2	1145.9	965.7	205.0	1112.2	909.4	223.3	1076.1	855.5	240.4	1041.1	803.0	256.6	1006.7	
SLS 3402	5	849.4	177.0	975.0	803.7	196.2	949.9	748.9	216.6	917.3	697.6	236.4	887.3	650.2	255.7	860.7	
	6	874.4	179.7	1001.4	828.2	199.0	975.8	772.9	219.2	942.4	721.2	239.1	912.4	673.1	258.5	885.0	
	7	900.7	182.1	1028.7	853.6	201.5	1002.3	797.7	221.7	968.4	744.9	241.9	937.4	696.2	261.2	909.5	
	8	926.9	184.7	1056.0	879.0	204.0	1028.8	822.5	224.4	994.6	768.9	244.4	962.6	719.5	264.0	934.3	
	9	953.2	187.7	1083.9	904.6	207.0	1056.0	847.3	227.1	1020.7	793.1	247.3	988.4	743.2	266.5	959.2	
	10	979.8	190.6	1111.9	930.6	209.7	1083.3	872.1	230.1	1047.1	817.1	250.1	1013.8	766.6	269.2	984.0	
	11	1007.7	193.7	1141.4	957.1	212.6	1111.2	898.1	233.0	1074.5	842.5	252.8	1040.5	790.3	271.9	1009.1	
	12	1035.5	197.0	1170.9	983.3	215.8	1139.2	924.3	236.0	1102.3	867.8	255.5	1067.2	814.2	274.5	1034.3	
	15	1121.1	207.9	1262.6	1064.6	225.3	1225.4	1002.4	245.4	1185.5	943.1	264.2	1146.9	885.2	282.0	1108.9	
SLS 3802	5	924.8	199.5	1068.1	875.1	221.1	1041.4	815.4	244.1	1006.6	759.5	266.4	974.7	708.0	288.2	946.4	
	6	952.1	202.5	1096.9	901.8	224.2	1069.7	841.5	247.0	1034.1	785.3	269.5	1002.1	732.8	291.3	972.9	
	7	980.8	205.2	1126.7	929.4	227.1	1098.7	868.5	249.8	1062.5	811.1	272.6	1029.5	758.0	294.4	999.8	
	8	1009.2	208.2	1156.6	957.0	229.9	1127.6	895.6	252.9	1091.0	837.2	275.4	1057.0	783.5	297.5	1026.9	
	9	1037.9	211.5	1187.0	985.0	233.2	1157.3	922.6	256.0	1119.6	863.6	278.7	1085.2	809.2	300.3	1054.1	
	10	1066.8	214.8	1217.5	1013.2	236.3	1187.1	949.6	259.3	1148.5	889.7	281.8	1112.9	834.7	303.4	1081.2	
			1097.2	218.3	1249.8	1042.1	239.6	1217.7	977.8	262.6	1178.5	917.3	284.9	1142.1	860.5	306.5	1108.6
	12	1127.5	222.1	1282.1	1070.7	243.2	1248.2	1006.4	265.9	1208.7	944.9	288.0	1171.3	886.6	309.3	1136.1	
	15	1220.7	234.4	1382.3	1159.2	253.9	1342.4	1091.5	276.6	1299.7	1026.9	297.7	1258.4	963.9	317.9	1217.6	
SLS 4202	5	1046.0	230.7	1212.9	989.7	255.8	1183.2	922.3	282.4	1144.4	859.1	308.1	1108.9	800.8	333.4	1077.4	
	6	1076.9	234.2	1245.5	1019.9	259.3	1215.3	951.8	285.7	1175.6	888.2	311.7	1139.9	828.9	336.9	1107.5	
	7	1109.3	237.4	1279.3	1051.2	262.6	1248.1	982.4	289.0	1207.7	917.4	315.3	1171.0	857.3	340.5	1137.9	
	8	1141.5	240.8	1313.2	1082.5	265.9	1281.0	1012.9	292.5	1240.2	946.9	318.6	1202.2	886.1	344.1	1168.7	
	9	1173.9	244.7	1347.7	1114.1	269.8	1314.6	1043.5	296.1	1272.6	976.7	322.4	1234.2	915.3	347.3	1199.5	
	10	1206.6	248.4	1382.3	1146.0	273.3	1348.4	1074.0	299.9	1305.2	1006.2	326.0	1265.6	944.1	350.9	1230.2	
	11	1241.0	252.5	1418.8	1178.7	277.2	1383.1	1106.0	303.8	1339.3	1037.5	329.5	1298.7	973.2	354.5	1261.3	
	12	1275.2	256.8	1455.5	1211.0	281.3	1417.7	1138.3	307.6	1373.6	1068.8	333.1	1331.8	1002.7	357.8	1292.5	
	15	1380.7	271.1	1569.2	1311.1	293.6	1524.5	1234.5	319.9	1476.7	1161.5	344.3	1430.5	1090.2	367.6	1384.9	

Notes : - LWT : Leaving water temperature.
 - Power input given for compressors only.

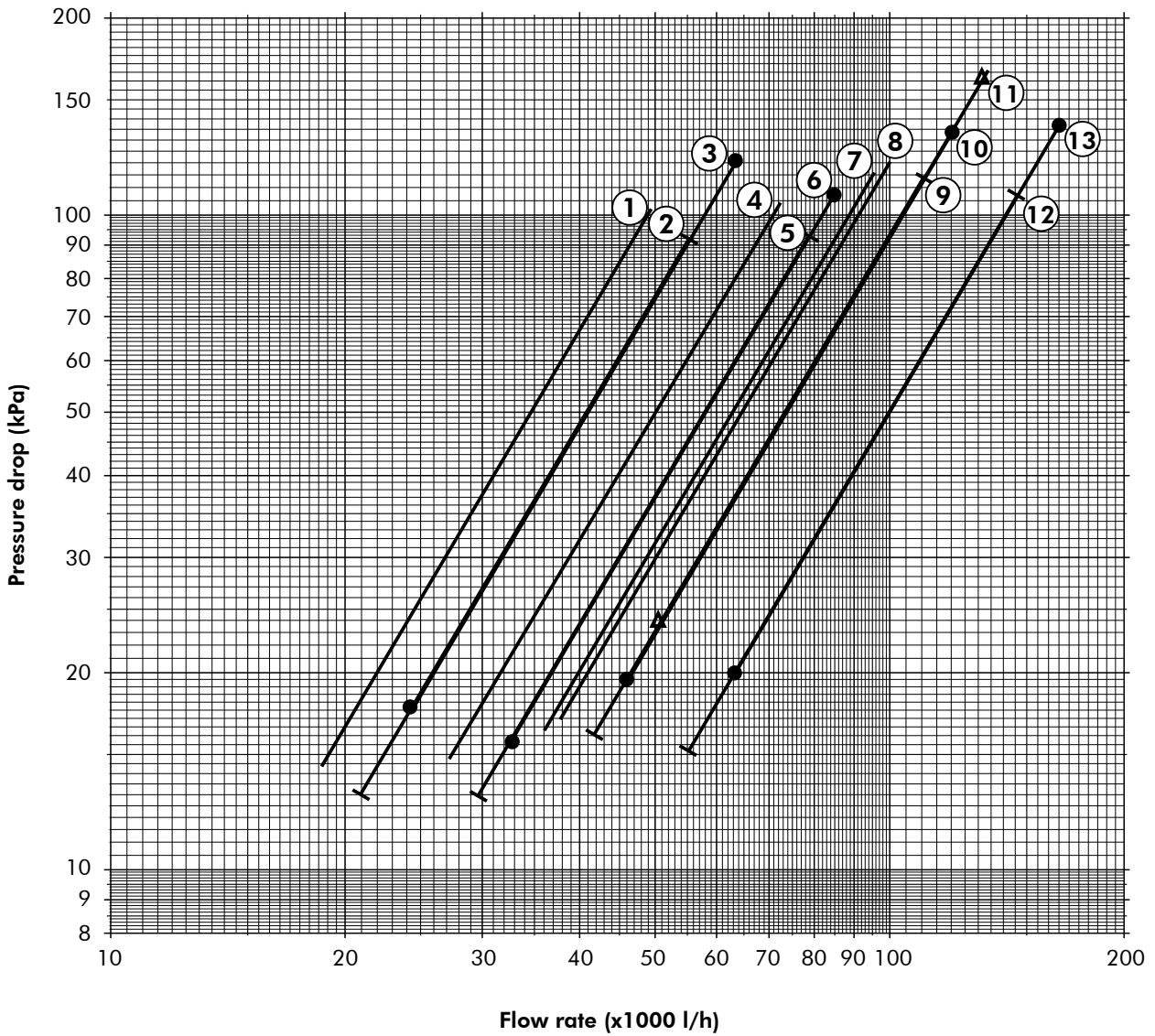
Evaporator Water Pressure Drops



1	SLS 1202	9	SLS 2602
2	SLS 1402	10	SLS 3002
3	SLS 1602	11	SLS 3402
4	SLS 1802	12	SLS 3802
5	SLS 1902	13	SLS 4202
6	SLS 2002	14	SLS 3804
7	SLS 2202	15	SLS 4004
8	SLS 2402		

Note : For models SLS 3804 to 4004, the water pressure drops correspond to the unit water flow rate divided by 2.

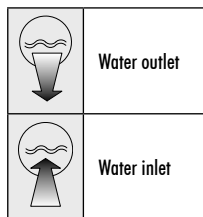
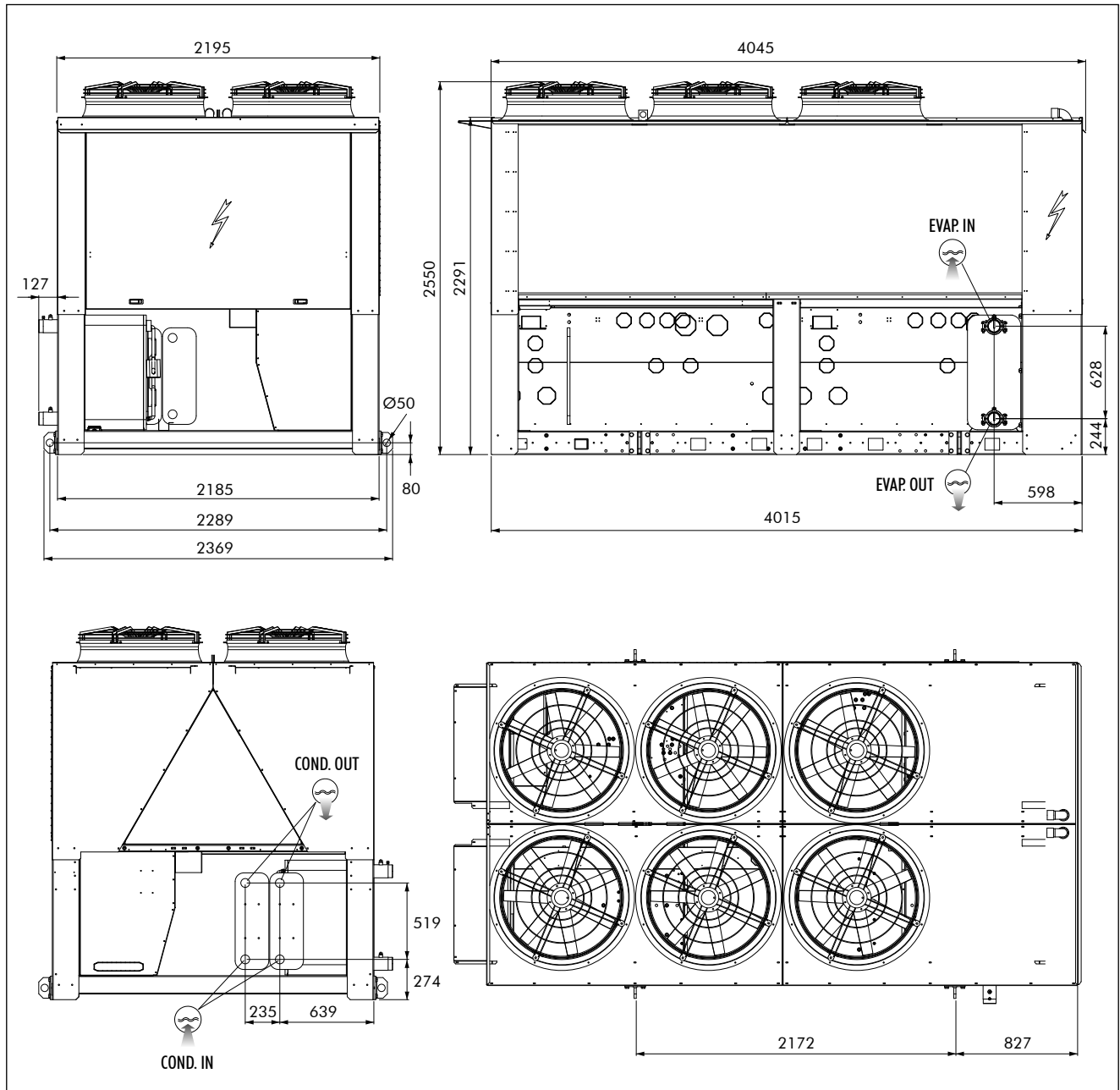
Total Heat Recovery Condenser Water Pressure Drops



1	SLS 1202	8	SLS 2402
2	SLS 1402	9	SLS 2602
3	SLS 1602	10	SLS 3002
4	SLS 1802	11	SLS 3402
5	SLS 1902	12	SLS 3802
6	SLS 2002	13	SLS 4202
7	SLS 2202		

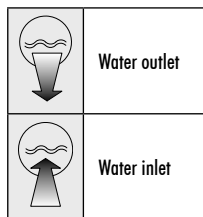
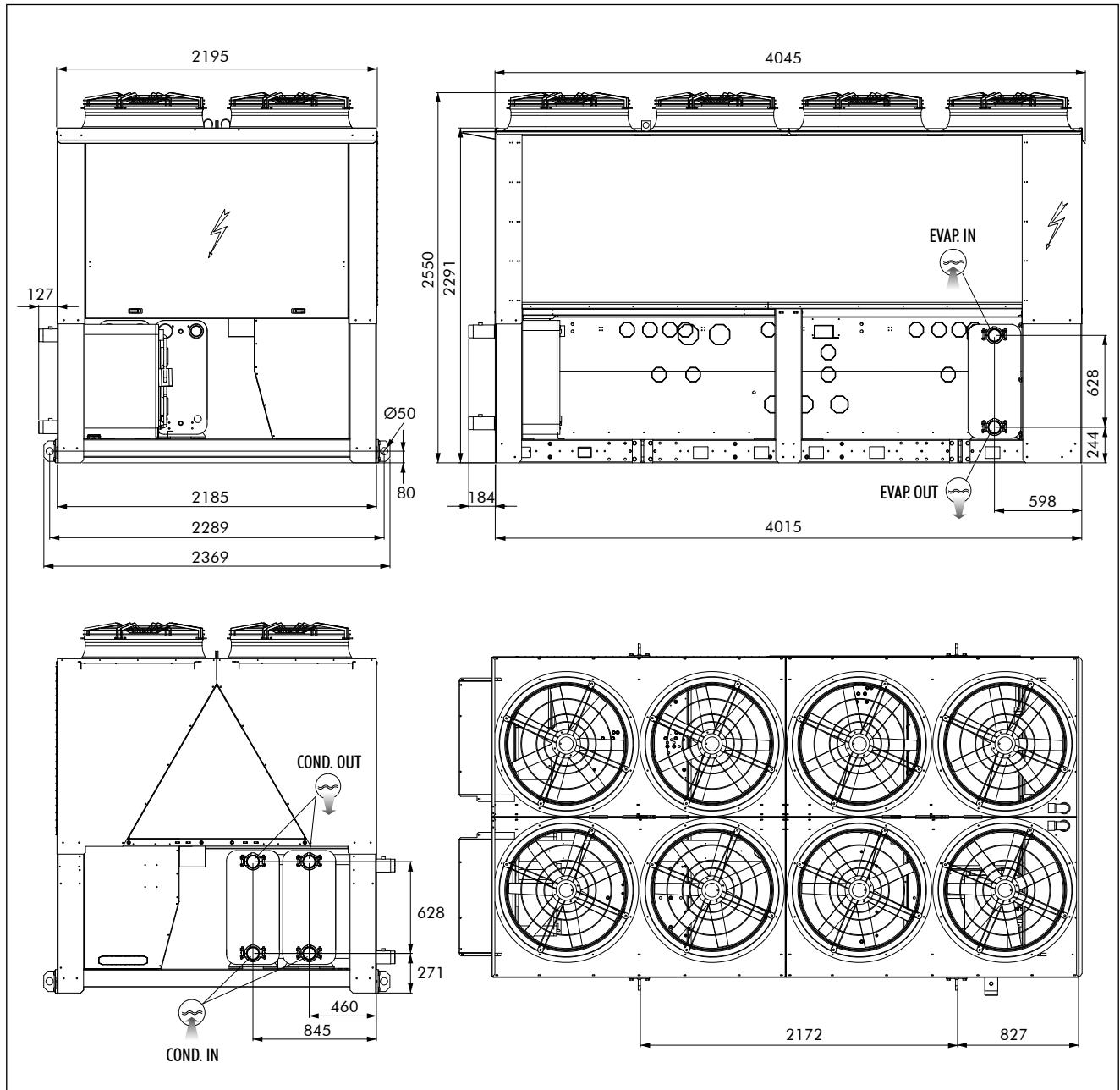
Note : Data are given for one condenser.

Dimensions (mm) - 4-meter Frame



Sizes	SLS BLN & LN			SLS ELN & HET			SLS with total heat recovery				
	Evaporator		Number of fans	Evaporator		Number of fans	Evaporator		Heat recovery condensers		Number of fans
	Water inlet	Water outlet		Water inlet	Water outlet		Water inlet	Water outlet	Water inlet	Water outlet	
1202	G3" male	G3" male	4	G3" male	G3" male	6	G3" male	G3" male	G2" male	G2" male	4
1402	G3" male	G3" male	6	G3" male	G3" male	6	G3" male	G3" male	G2" male	G2" male	6
1602	G3" male	G3" male	6				G3" male	G3" male	G2" male	G2" male	6

Dimensions (mm) - 4-meter Frame (continued)

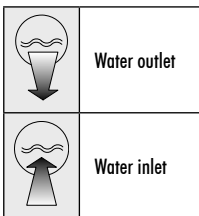
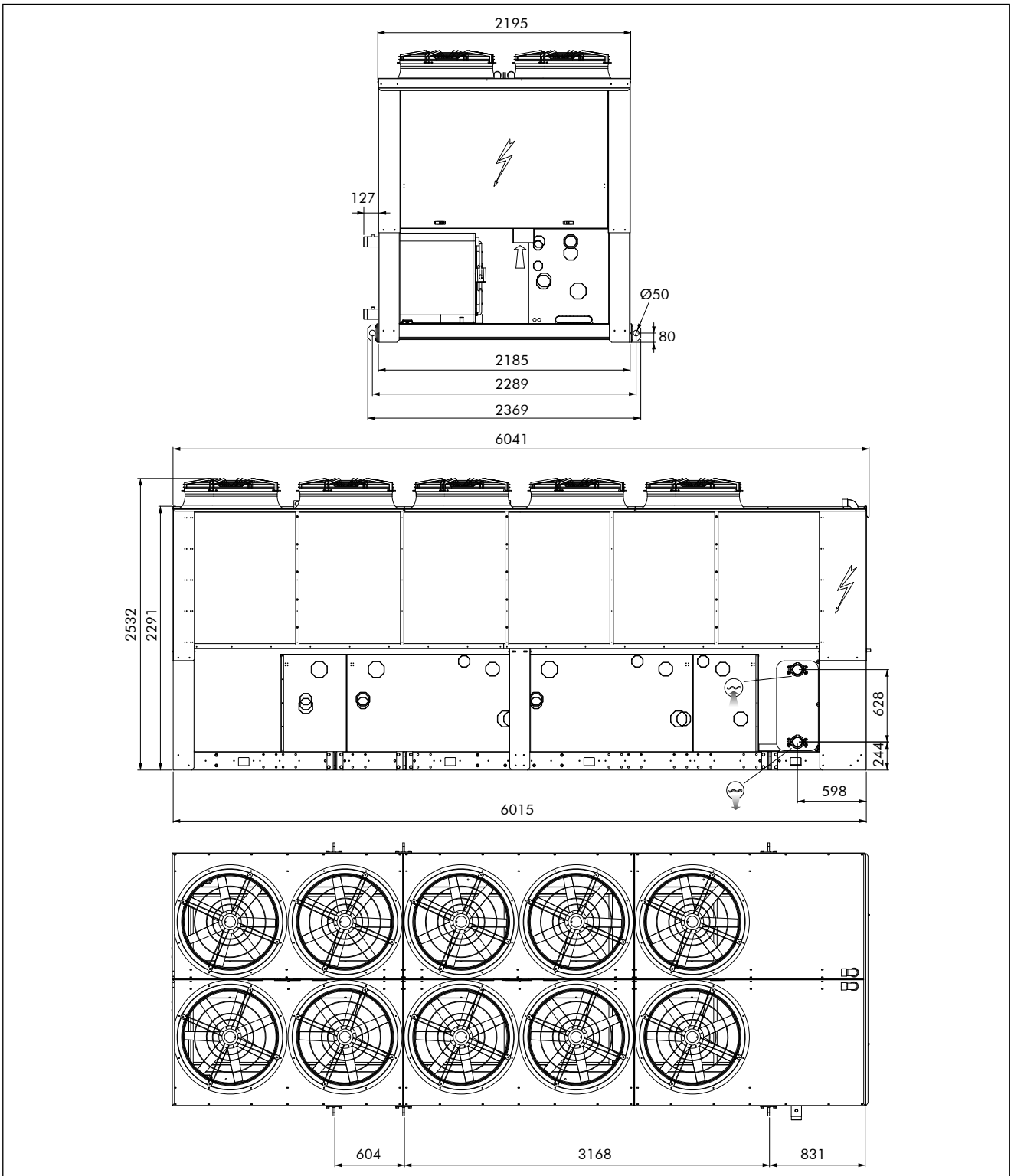


Sizes	SLS BLN & LN		
	Evaporator		Number of fans
	Water inlet	Water outlet	
1802	G3" male	G3" male	8
1902	G3" male	G3" male	8
2002	G3" male	G3" male	8

Sizes	SLS ELN & HET		
	Evaporator		Number of fans
	Water inlet	Water outlet	
1602	G3" male	G3" male	8
1802	G3" male	G3" male	8

Sizes	SLS with total heat recovery				
	Evaporator		Heat recovery condensers		Number of fans
	Water inlet	Water outlet	Water inlet	Water outlet	
1802	G3" male	G3" male	G3" male	G3" male	8
1902	G3" male	G3" male	G3" male	G3" male	8
2002	G3" male	G3" male	G3" male	G3" male	8

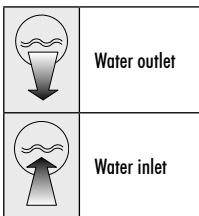
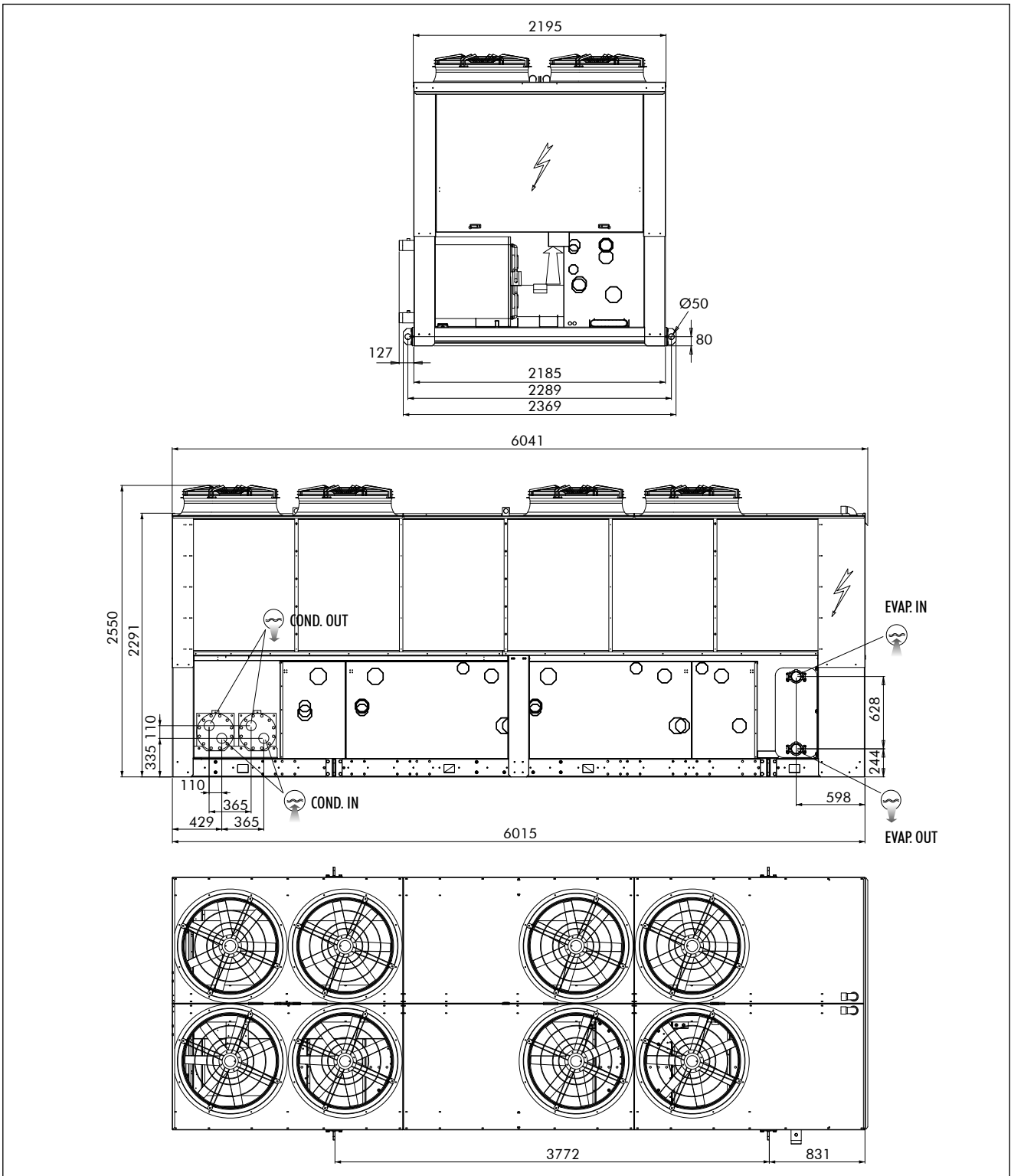
Dimensions (mm) - 6-meter Frame with Plate Type Evaporator



Sizes	SLS BLN & LN		
	Evaporator		Number of fans
	Water inlet	Water outlet	
2202	G3" male	G3" male	8
2402	G3" male	G3" male	8
2602	G3" male	G3" male	8

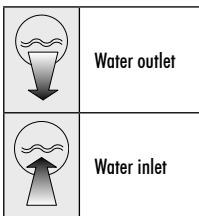
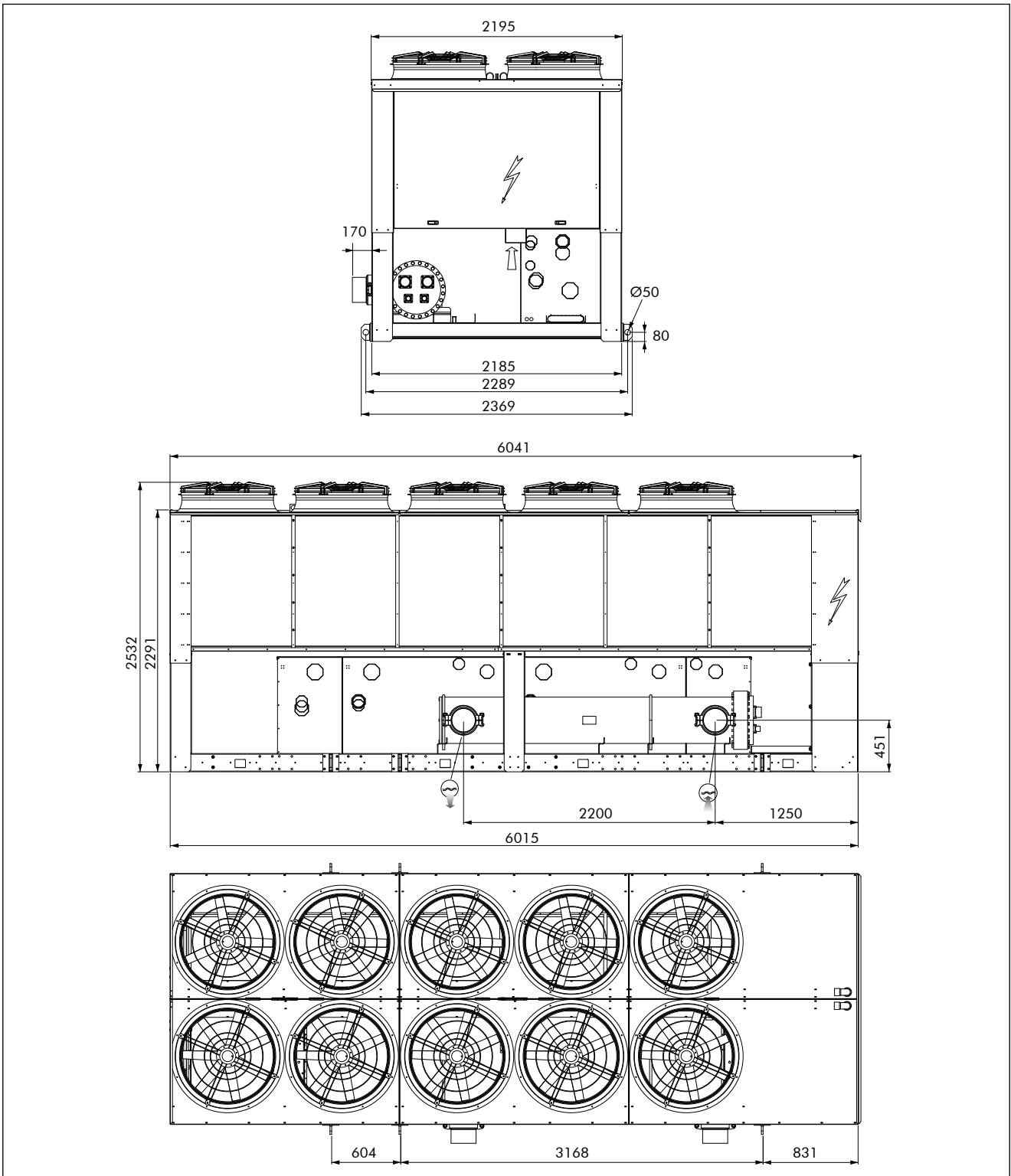
Sizes	SLS ELN & HET		
	Evaporator		Number of fans
	Water inlet	Water outlet	
1902	G3" male	G3" male	8
2002	G3" male	G3" male	10
2202	G3" male	G3" male	8
2402	G3" male	G3" male	10
2602	G3" male	G3" male	10

Dimensions (mm) - 6-meter Frame with Plate Type Evaporator (cont'd)



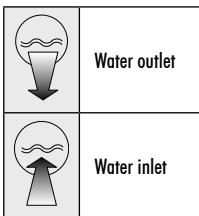
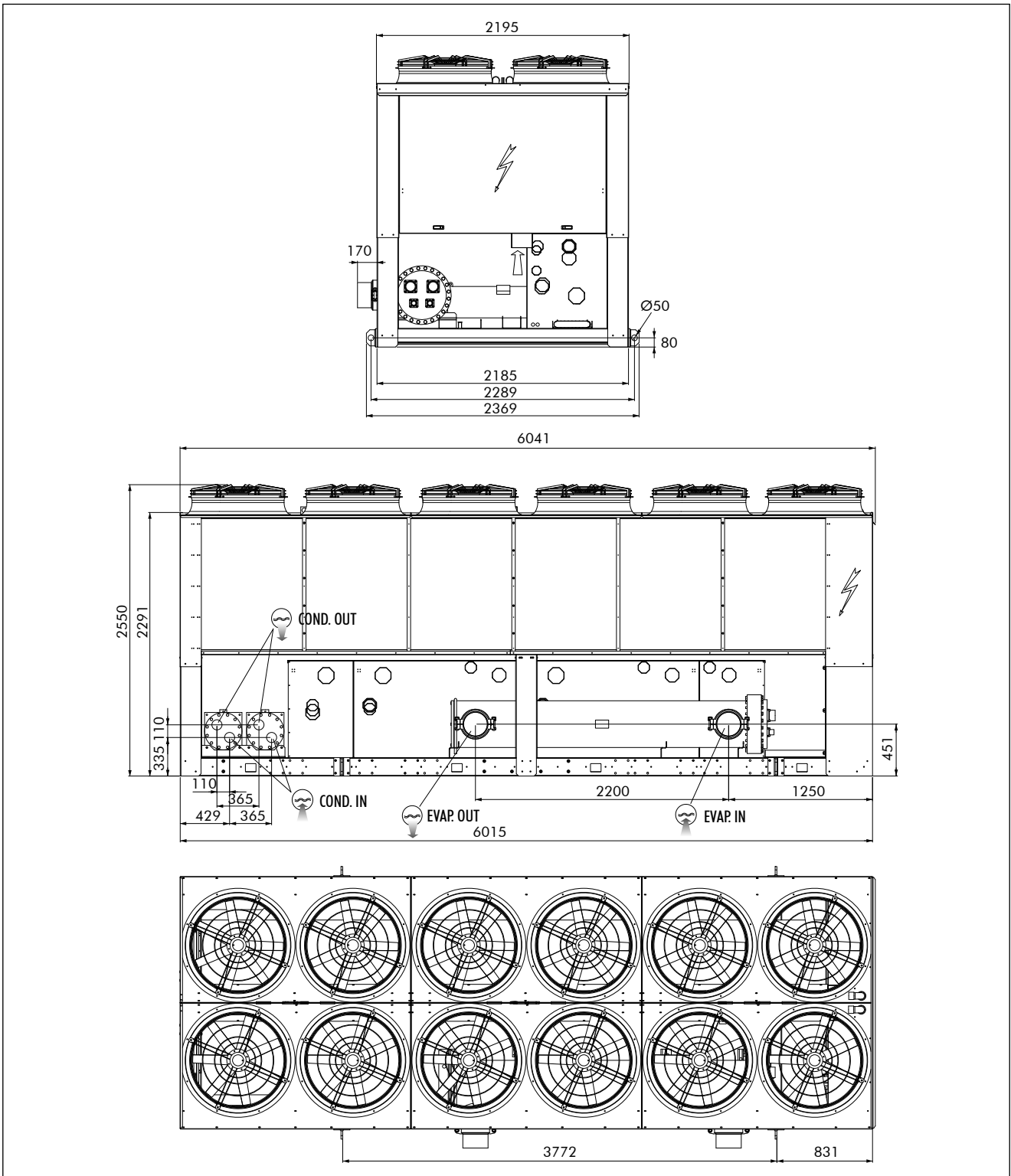
Sizes	SLS with total heat recovery				Number of fans
	Evaporator		Heat recovery condensers		
	Water inlet	Water outlet	Water inlet	Water outlet	
2202	G3" male	G3" male	G3" female	G3" female	8
2402	G3" male	G3" male	G3" female	G3" female	8
2602	G3" male	G3" male	G3" female	G3" female	8

Dimensions (mm) - 6-meter Frame with Shell & Tube Type Evaporator



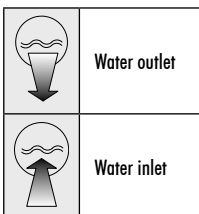
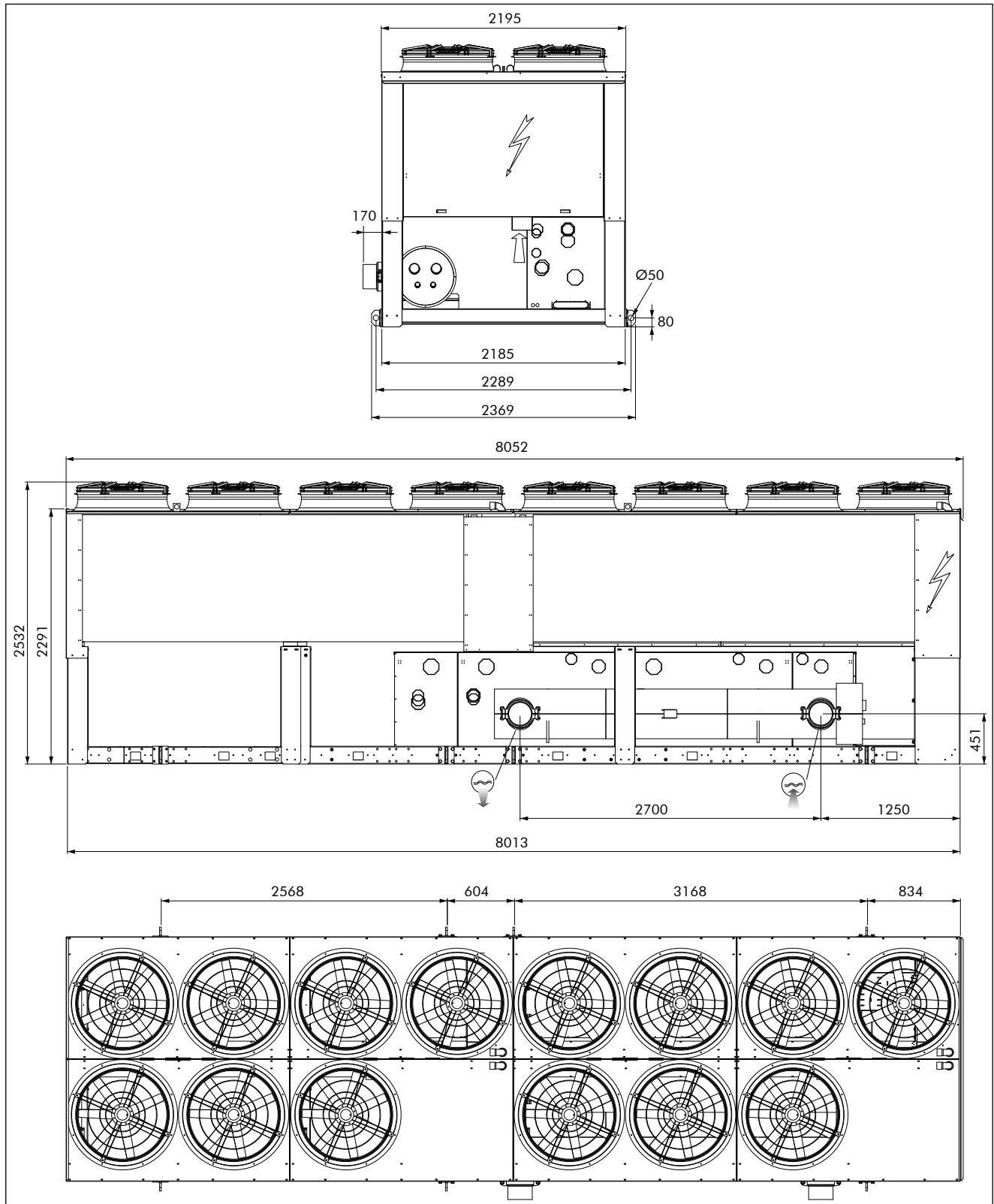
Sizes	SLS BLN & LN			SLS ELN & HET		
	Evaporator		Number of fans	Evaporator		Number of fans
	Water inlet	Water outlet		Water inlet	Water outlet	
3002	Victaulic 8"	Victaulic 8"	10	Victaulic 8"	Victaulic 8"	12
3402	Victaulic 8"	Victaulic 8"	12	Victaulic 8"	Victaulic 8"	12

Dimensions (mm) - 6-meter Frame with Shell & Tube Type Evaporator (cont'd)



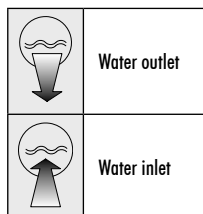
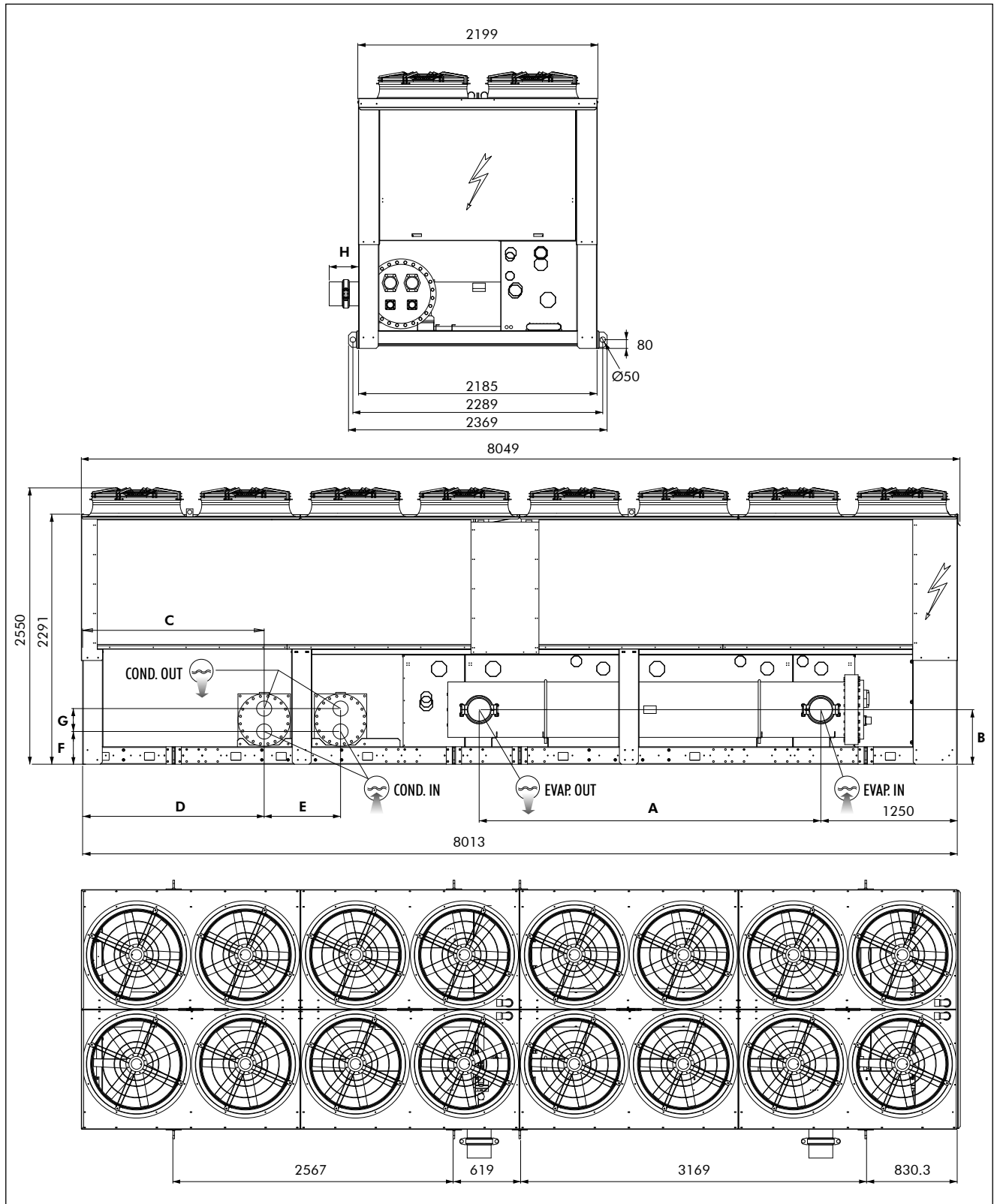
Sizes	SLS with total heat recovery				
	Evaporator		Heat recovery condensers		Number of fans
	Water inlet	Water outlet	Water inlet	Water outlet	
3002	Victaulic 8"	Victaulic 8"	G3" female	G3" female	10
3402	Victaulic 8"	Victaulic 8"	G3" female	G3" female	12

Dimensions (mm) - 8-meter Frame (2 Circuits)



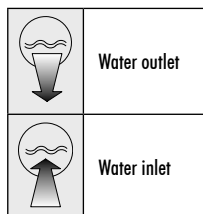
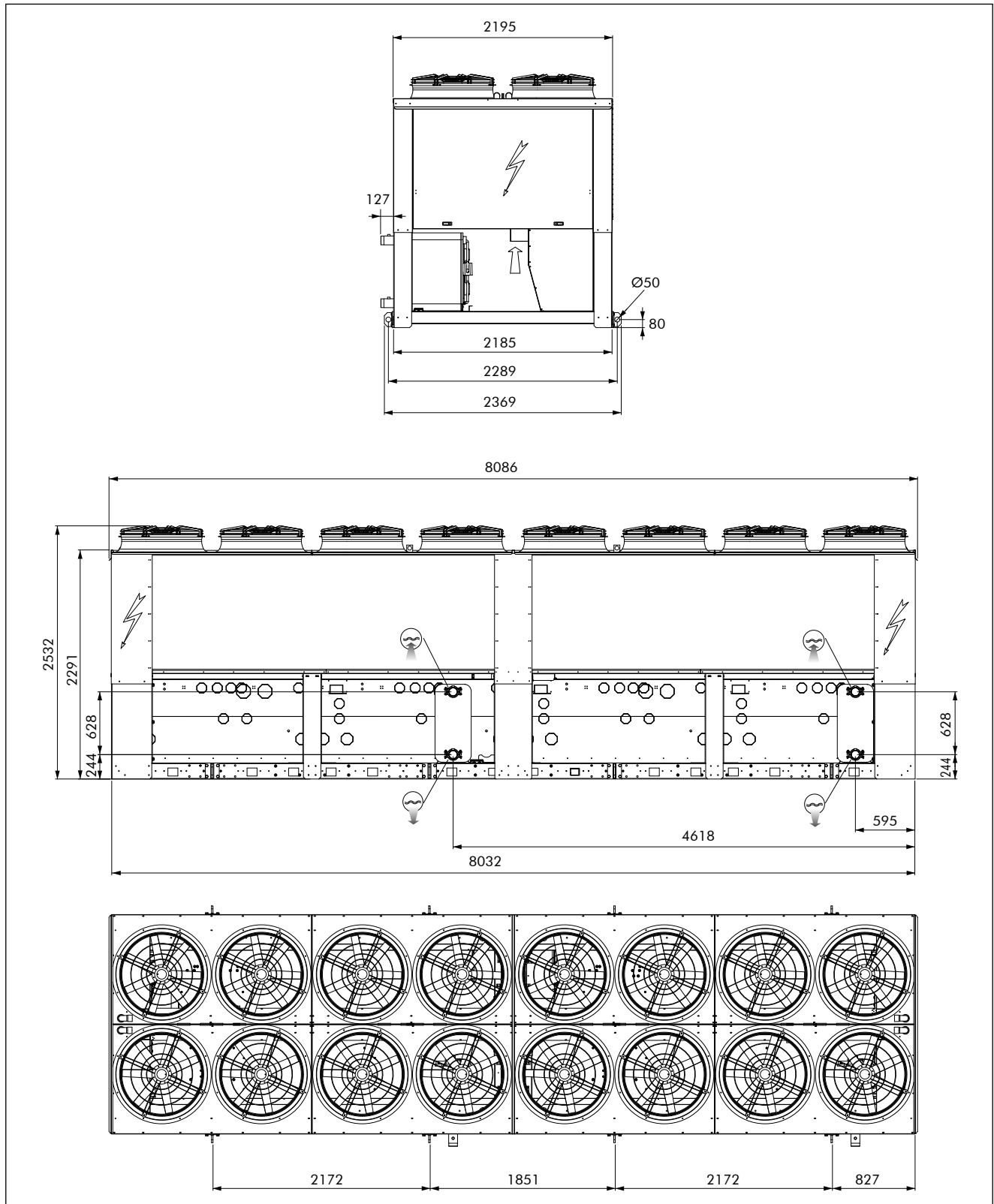
Sizes	SLS BLN & LN			SLS ELN & HET		
	Evaporator		Number of fans	Evaporator		Number of fans
	Water inlet	Water outlet		Water inlet	Water outlet	
3802	Victaulic 8"	Victaulic 8"	12	Victaulic 8"	Victaulic 8"	14
4202	Victaulic 8"	Victaulic 8"	14	Victaulic 8"	Victaulic 8"	16

Dimensions (mm) - 8-meter Frame (2 Circuits) (cont'd)

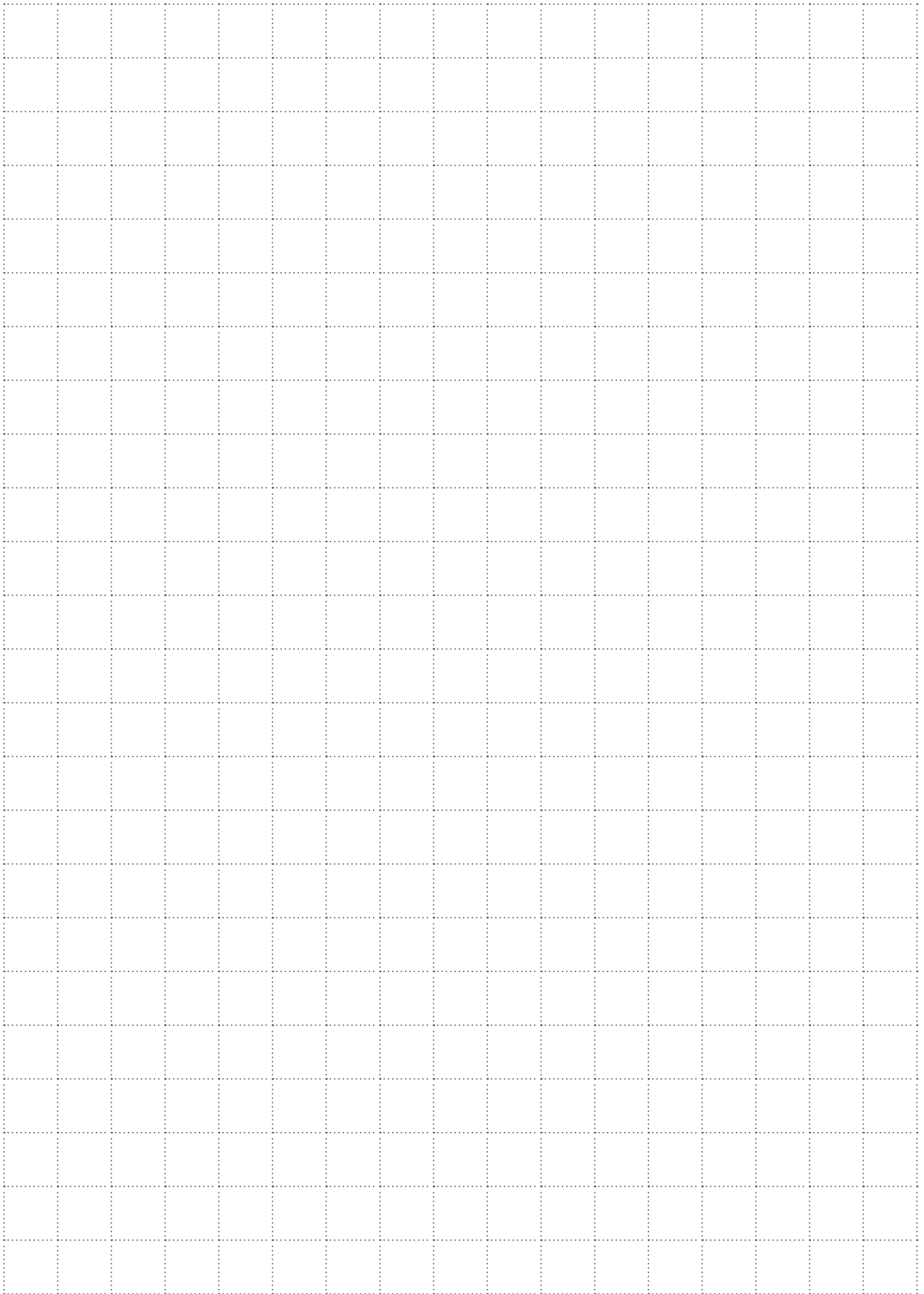


Sizes	SLS with total heat recovery													
	A	B	C	D	E	F	G	H	Evaporator		Heat recovery condensers		Number of fans	
									Water inlet	Water outlet	Water inlet	Water outlet		
3802	2700	450	2254	2384	390	130	333	170	Victaulic 8"	Victaulic 8"	G4" female	G4" female	12	
4202	2700	450	2254	2384	390	130	333	170	Victaulic 8"	Victaulic 8"	G4" female	G4" female	14	

Dimensions (mm) - 8-meter Frame (4 Circuits with Plate Type Evaporators)



Sizes	SLS BLN, LN, ELN & HET		
	Evaporator		Number of fans
	Water inlet	Water outlet	
3804	G3" male	G3" male	16
4004	G3" male	G3" male	16





Airwell

As part of our ongoing product improvement programme, our products are subject to change without prior notice. Non contractual photos.



CAC Export Department
42 cours Jean-Jaurès
17800 Pons - France
Tel. : +33 (0)5 46 92 33 33 - Fax : +33 (0)5 46 91 26 44

Your distributor :