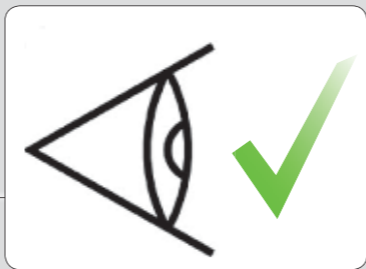




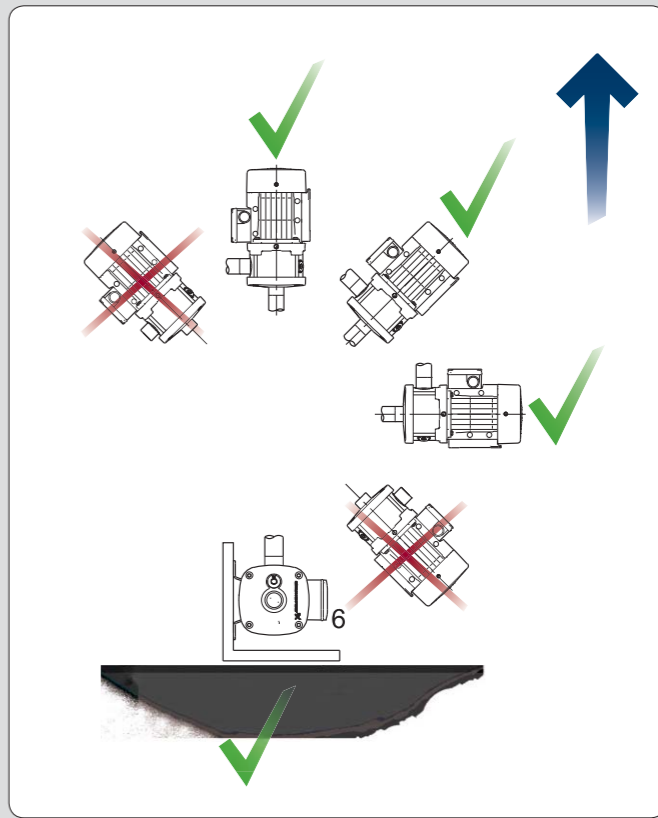
# CM



1

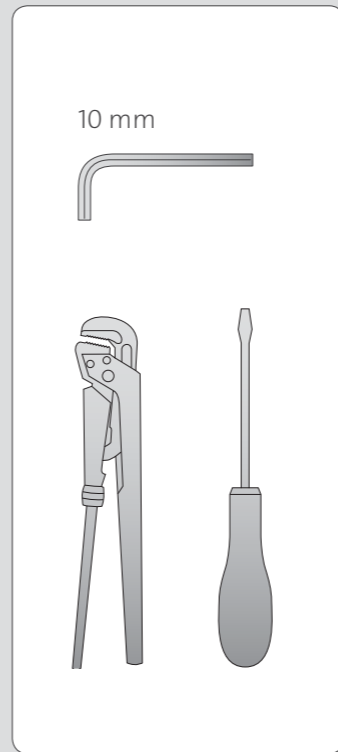
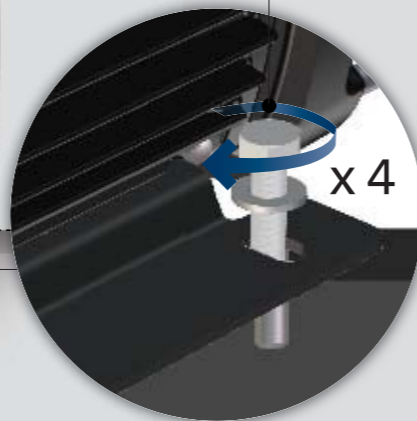
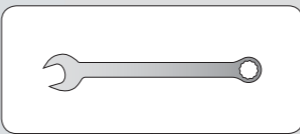


i

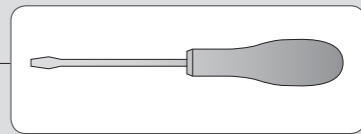




2

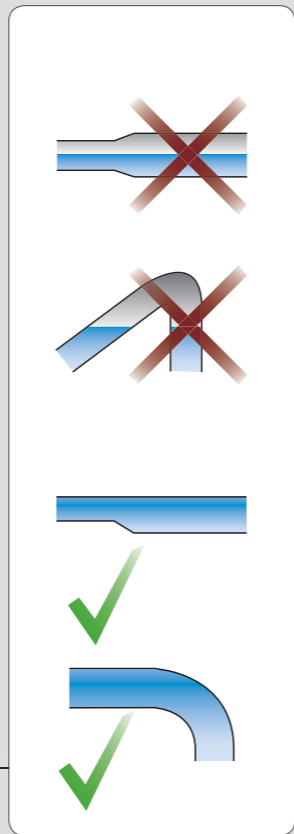
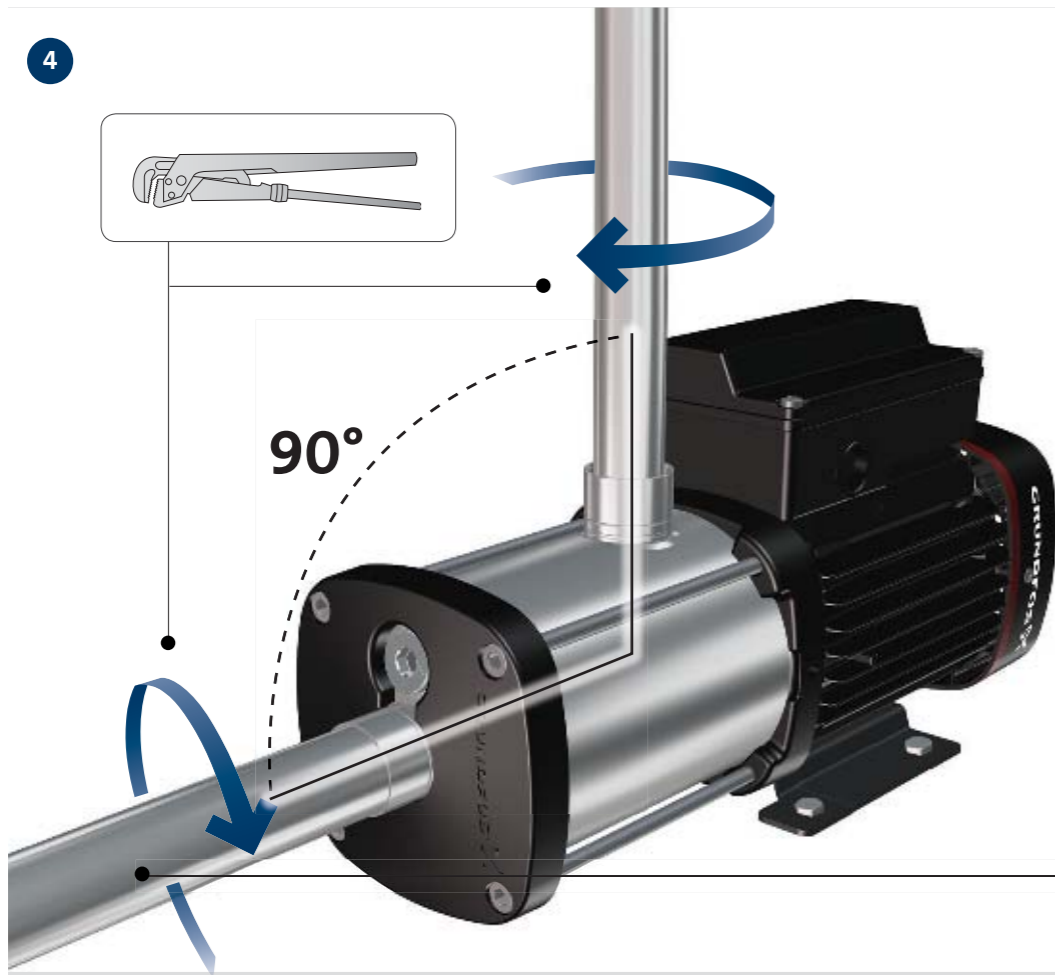


3

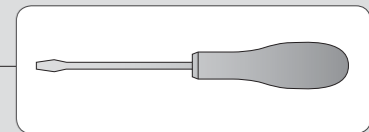
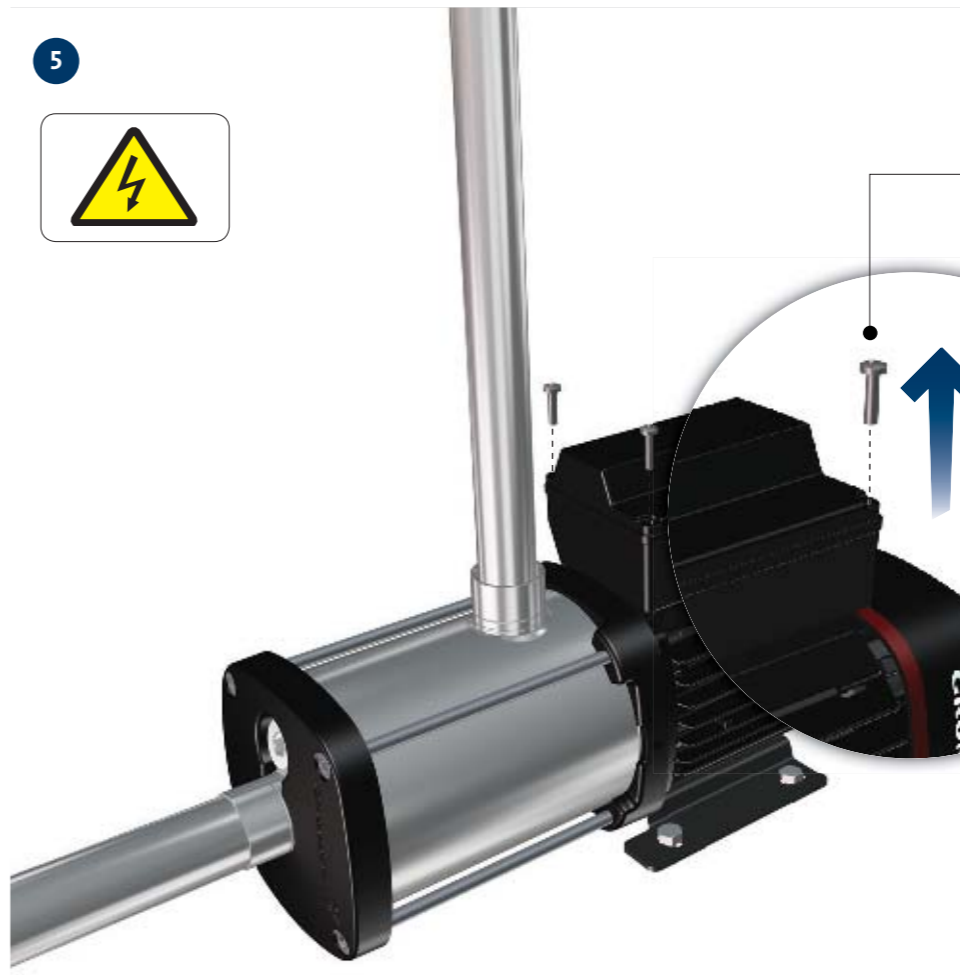




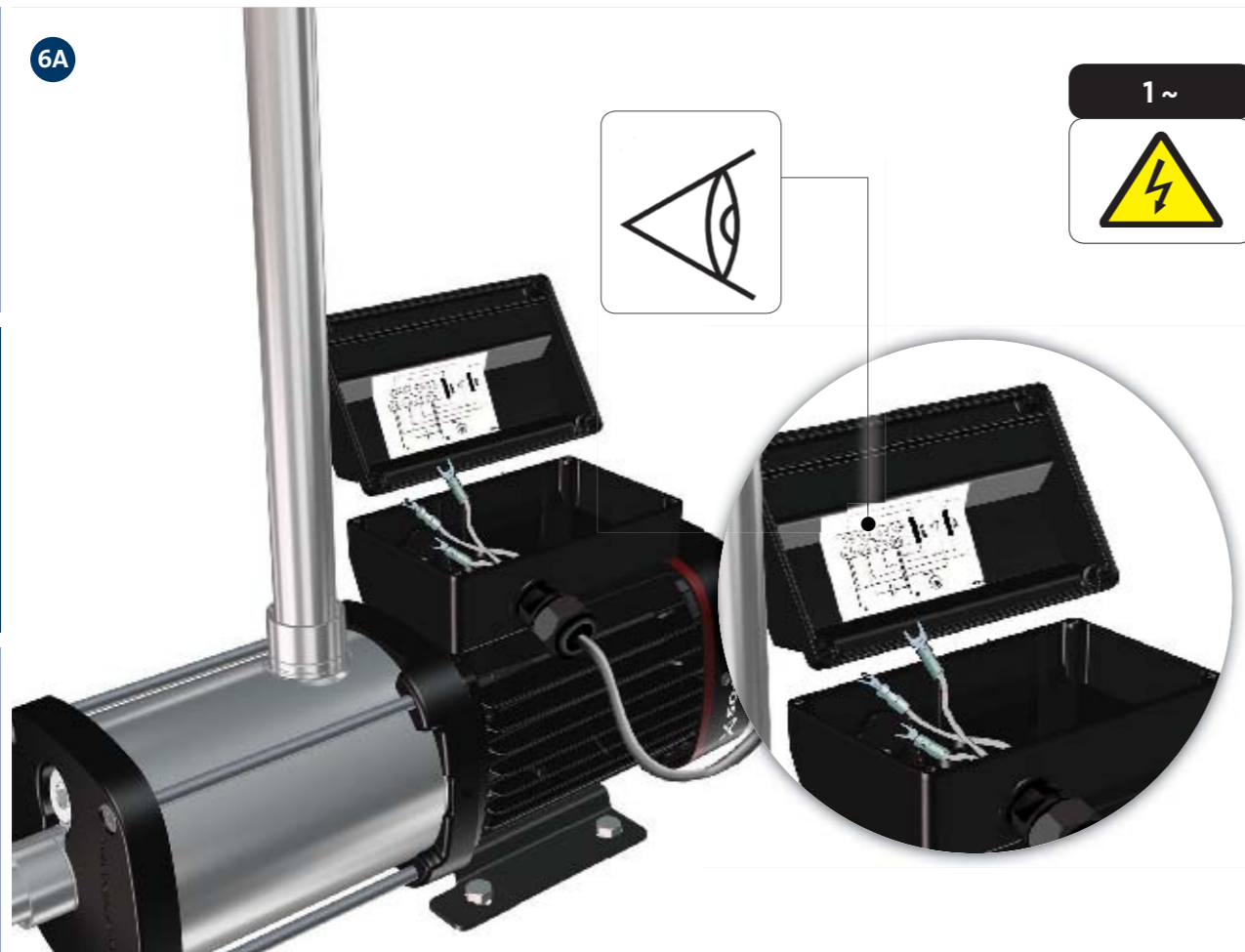
4



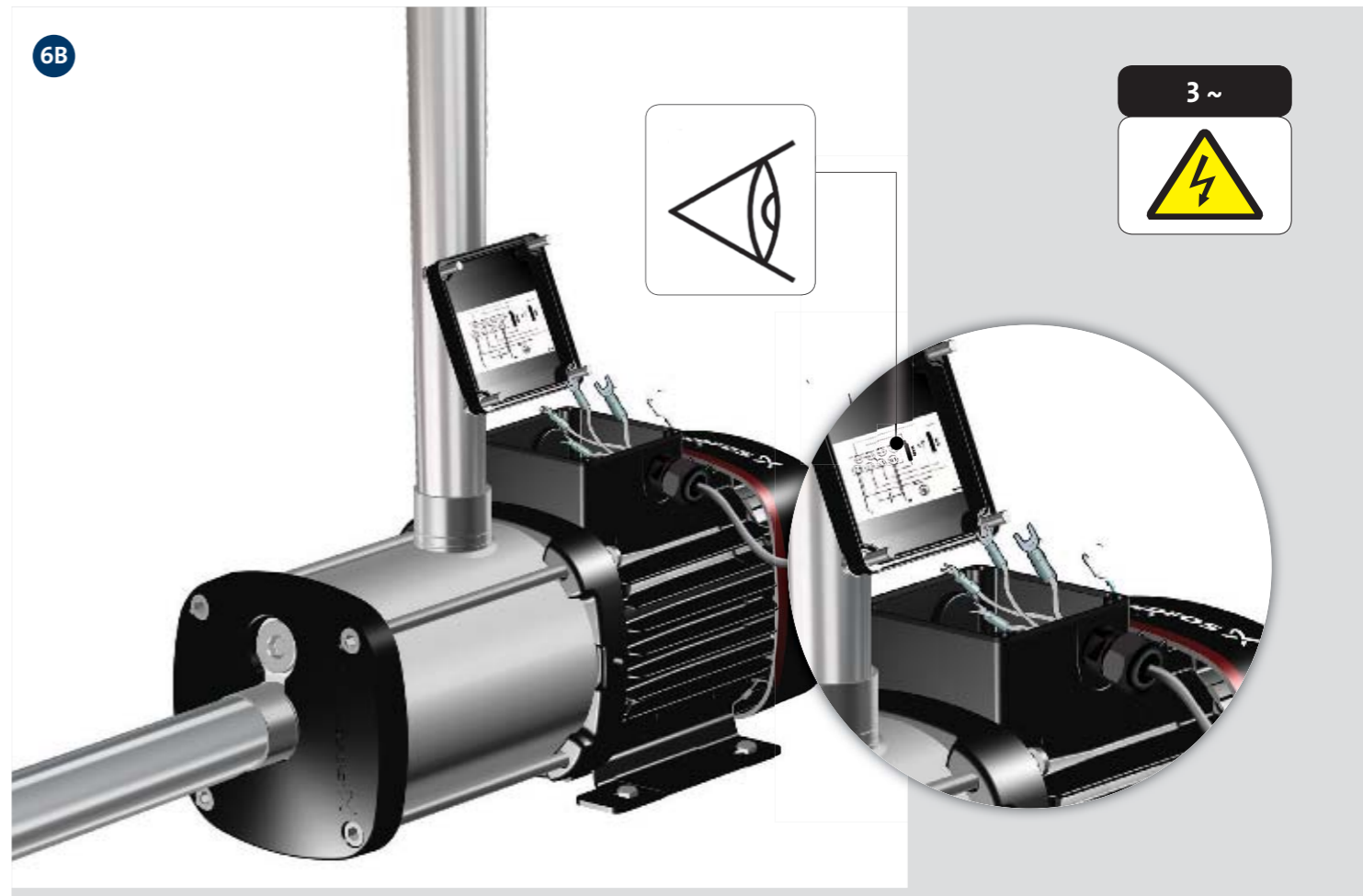
5

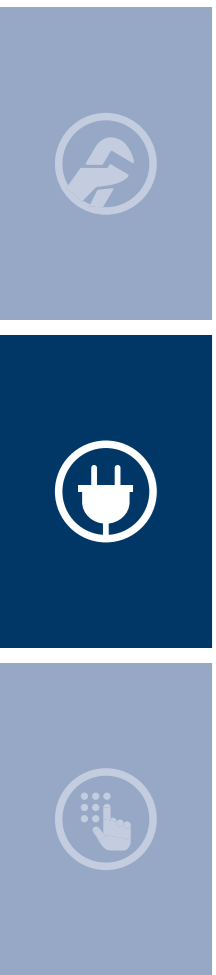


6A



6B

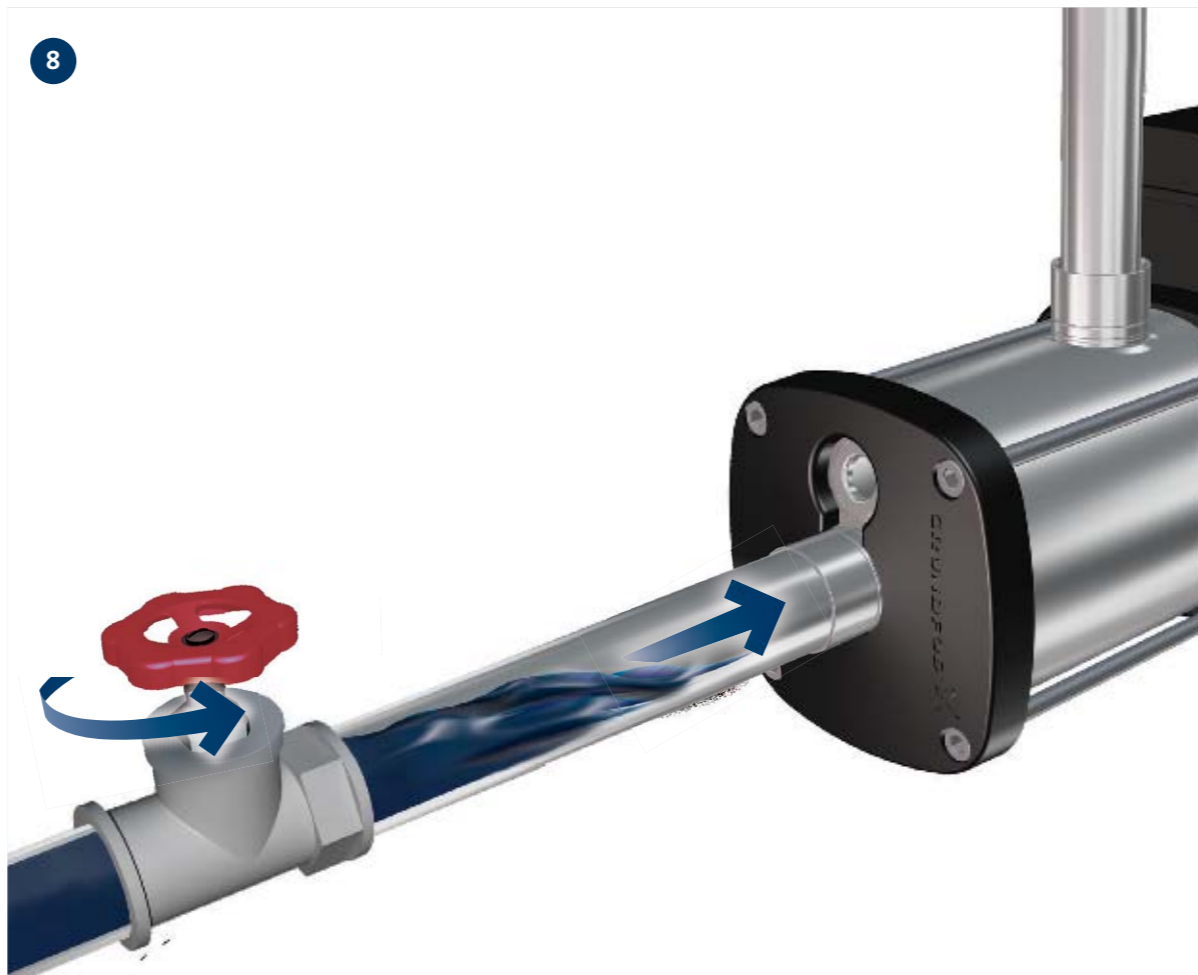




7

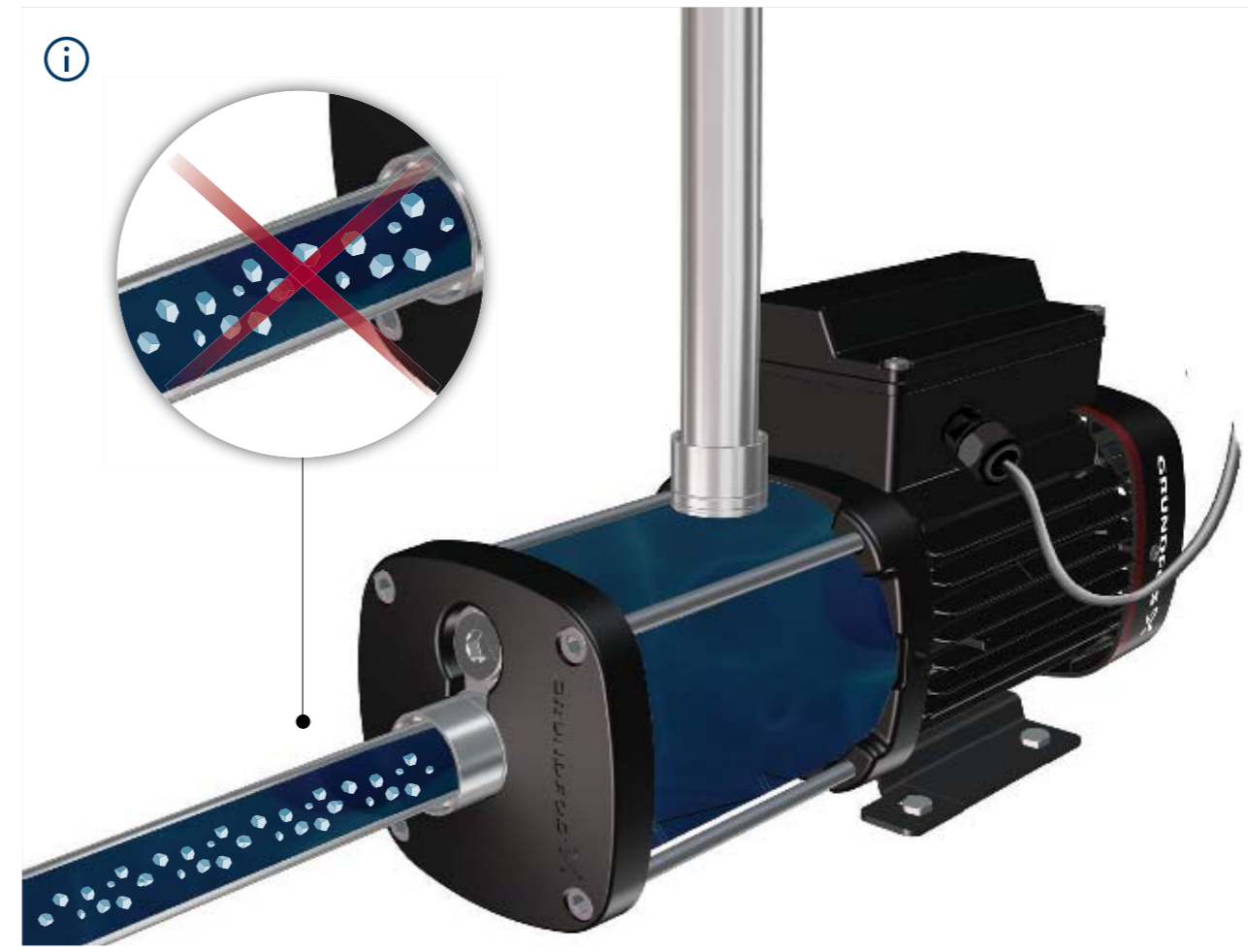


8

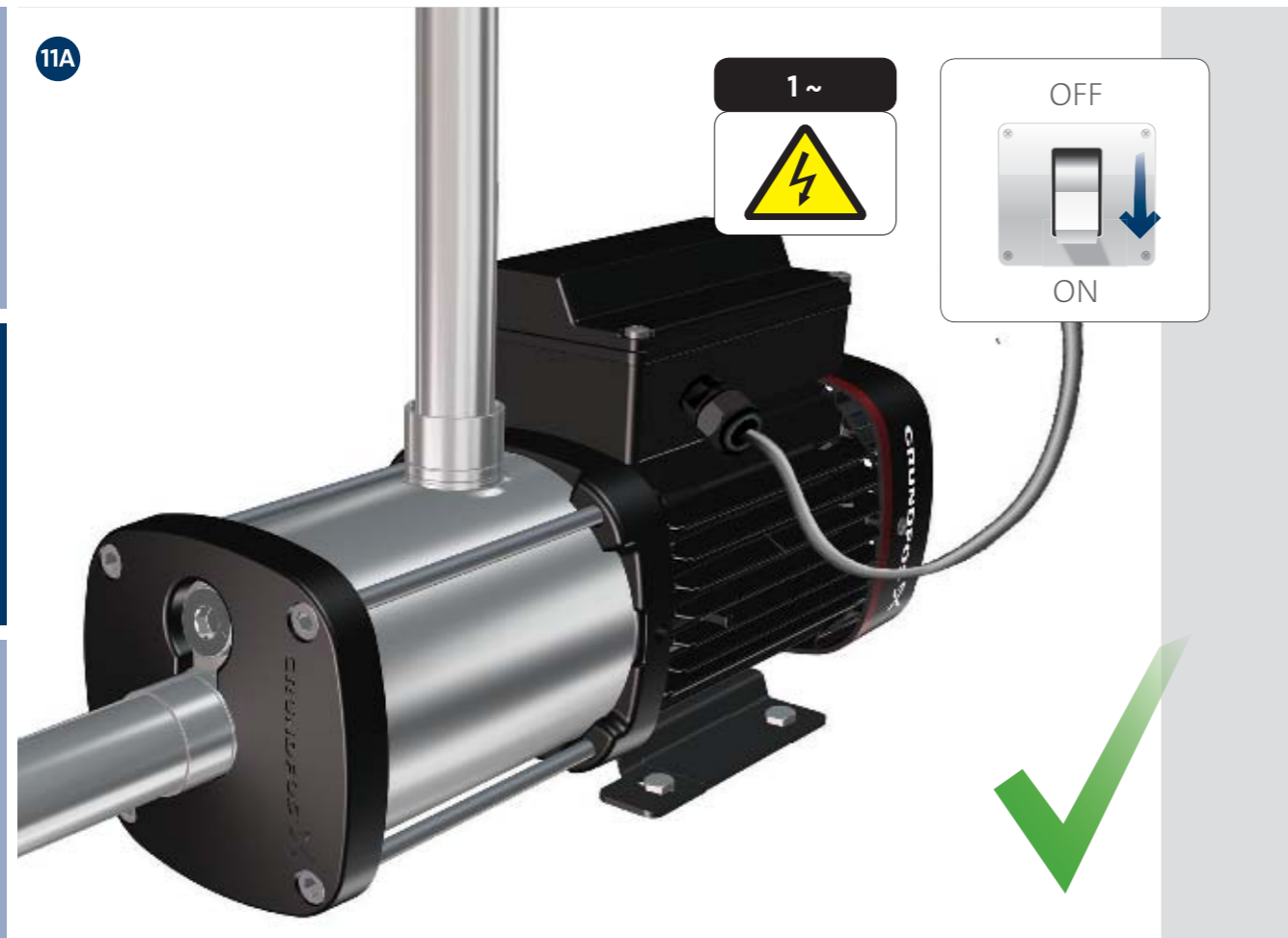


9

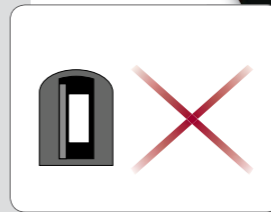
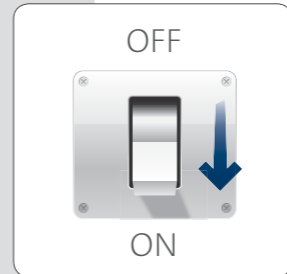
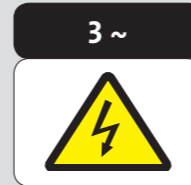






11A



11B





  
  
[grundfos.com/CM-manual](http://grundfos.com/CM-manual)

---

---

---

---

---

---

---

---

---

---



---

---

---

---

---

---

---

---

---

---

---

---

---

---

---

---

---

---

---

---

95121198 1013

ECM: 1122134

**GRUNDFOS Holding A/S**

Poul Due Jensens Vej 7  
DK-8850 Bjerringbro  
Tel: +45 87 50 14 00  
[www.grundfos.com](http://www.grundfos.com)

**GRUNDFOS** 

The name Grundfos, the Grundfos logo, and be think innovate are registered trademarks owned by Grundfos Holding A/S or Grundfos A/S, Denmark. All rights reserved worldwide.