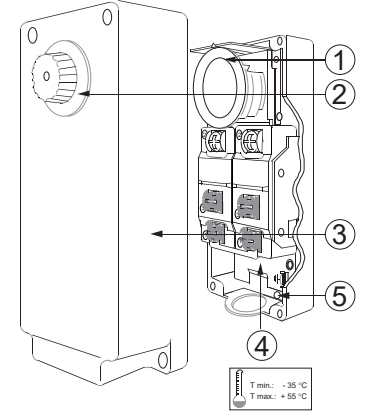
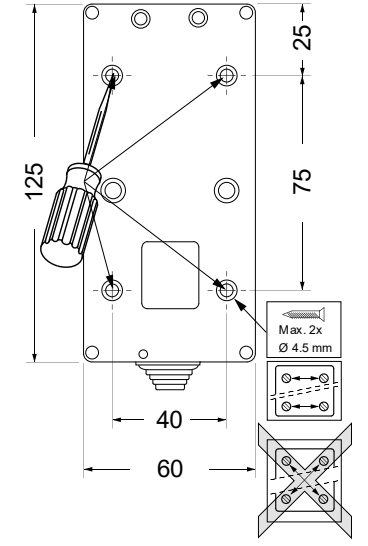


KRT2800

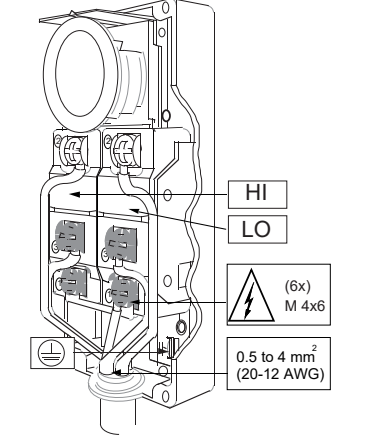
Specification Specificatie Especificação Beskrivelse Technická data	Description Especificación Specificationer Spesifikasjoner	Spesifikation Specifiche Erittely Προδιαγραφή
---	---	--



Mounting Montage Montagem Montering Instalace	Montage Montaje Montering Montering	Montage Montaggio Κλιμνίσις Μοντάρισμα
---	--	---



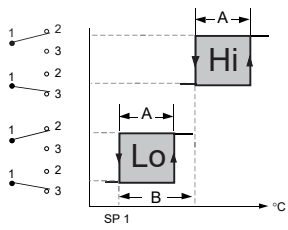
Wiring Bedrading Cablagem Elektrisk installation Zapojeni	Raccordement Cableado Ledningar Kabling	Verdrahtung Cablaggio Jodotus Καλωδίωση
---	--	--



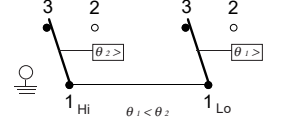
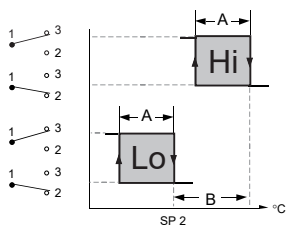
Installing Ajuste Justering Seifzenf	Ajute Justering Justering	Regolazione Sääto Πύθμιση
---	---------------------------------	---------------------------------

READ THIS INSTRUCTION SHEET CAREFULLY BEFORE INSTALLING, RETAIN IT SAFELY FOR FUTURE REFERENCE.

Set low (cooling model)



Set high (heating model)



- 1 Setpoint dial
- 2 Knob for adjustment (knob models only)
- 3 Cover
- 4 Differential lever (adjustable differential models only)
- 5 Drainhole

Adjustment
 A Stage differential (fixed)
 B Between stage differential (fixed or adjustable)
 SP1 Set point "set low" models (refer to data label)
 SP2 Set point "set high" models (refer to data label)

The KRT2800 is a 2-stage temperature control designed to sense temperatures.

According to EN 60730 it is a type 1 action, independently mounted control, suitable for surface mounting on a plane surface and for use in normal pollution situation.

These controls are designed for use only as operating controls. Where an operating control failure would result in personal injury or loss of property, it is the responsibility of the installer to add devices or systems that protect against, or warn of, control failure.

Installation
DO NOT TURN SEALED SCREWS

⚠ Disconnect from power supply before the cover is removed.

Wiring
All wiring should conform to local codes and must be carried out by authorized personnel only. When using multi stranded wire apply a cable ferrule to the cable end.

Check out procedure
Before leaving the installation observe at least three complete operating cycles to be sure that all components are functioning correctly. If not contact your supplier.

KRT2800
(0 - +40)
230V I_{max}. 16A
400V I_{max}. 10A
IP55

Tel.: (495) 669-37-15 (многоканальный)
SIP: 0030047810
e-mail: info@frico-tm.ru
www.frico-tm.ru