

# XLM OG 18 I.R.



# XLM OG 18

English

Français

Deutsch

Italiano

Español



**WATER CHILLER INDOOR UNIT**  
**UNITÉ INTÉRIEURE MURALE EAU GLACÉE**  
**WANDINNENTEIL KALWASSER**  
**UNITÀ MURALE INTERNA ACQUA REFRIGERATA**  
**UNIDAD INTERIOR MURAL AGUA REFRIGERADA**

**IOM XLM 01-A-2ALL**

Part number / Code / Teil Nummer / Codice / Código : **3990153**

Supersedes / Annule et remplace / Annulliert und ersetzt /

Annulla e sostituisce / Anula y sustituye : **IOM XLM 01-A-1ALL**





**INSTALLATION INSTRUCTION**

NOTICE D'INSTALLATION

INSTALLATIONSHANDBUCH

ISTRUZIONI INSTALLAZIONE

INSTRUCCIONES DE INSTALACIÓN

English

Français

Deutsch

Italiano

Español

# CONTENTS

<b>GENERAL RECOMMENDATIONS .....</b>	<b>3</b>
SAFETY DIRECTIONS.....	3
WARNING .....	3
<b>INSPECTION AND STORAGE .....</b>	<b>4</b>
<b>WARRANTY .....</b>	<b>4</b>
<b>CONTENTS OF PACKAGE .....</b>	<b>4</b>
<b>DIMENSIONS .....</b>	<b>5</b>
<b>TECHNICAL SPECIFICATIONS.....</b>	<b>5</b>
UNIT WITHOUT VALVE , WITHOUT ELECTRIC HEATING .....	6
UNIT WITHOUT VALVE , WITH ELECTRIC HEATING 1590 W.....	7
CURVE OF PRESSURE DROP .....	8
<b>INSTALLATION .....</b>	<b>9</b>
LOCATION OF THE INDOOR UNIT .....	9
CLEARANCE .....	9
INSTALLATION OF THE ASSEMBLY PANEL .....	9
BORING THE WALL FOR PASSAGE OF THE HYDRAULIC PIPES .....	10
ASSEMBLY AND REMOVAL OF THE APPLIANCE FROM THE ASSEMBLY PANEL .....	10
CONNECTION OF HYDRAULIC LINKS.....	10
ASSEMBLY OF THE DRAINPIPE .....	11
FINAL OPERATIONS .....	12
<b>MAINTENANCE AND REPAIRS SHOULD BE CARRIED OUT BY QUALIFIED SPECIALISTS.....</b>	<b>12</b>
CLEARING THE AIR CONDITIONER .....	12
PRECAUTIONARY MEASURES TO BE TAKEN AT THE BEGINNING OF THE SEASON .....	12
<b>UNIT INFRA RED - INFRA RED REMOTE CONTROL.....</b>	<b>13</b>
USE .....	13
THERMOSTAT LOCATION .....	13
ELECTRICAL CONNECTIONS .....	14
UNIT CONTROLS AND WARNING LIGHTS.....	15
<b>ROOM THERMOSTAT TRM-VP AND TRM-FA .....</b>	<b>16</b>
USE .....	16
SWITCHES .....	16
THERMOSTAT LOCATION .....	16
DIMENSIONS .....	17
WALL MOUNTING .....	17
ELECTRICAL CONNECTIONS .....	17
TECHNICAL CHARACTERISTICS .....	17
INSTALLATION OF PIPE THERMOSTAT (CHANGE OVER) .....	18
CONNECTION OF THE CHANGE-OVER SWITCH.....	18
FINAL OPERATIONS .....	19
ADJUSTMENT OF THE TEMPERATURE RANGE .....	19
ADJUSTMENT PROCEDURE .....	19
<b>TAE20 AMBIENCE THERMOSTAT.....</b>	<b>20</b>
FIELDS OF APPLICATION.....	20
DESCRIPTION .....	20
<b>WIRING DIAGRAM .....</b>	<b>21</b>
<b>RESET SAFETY DEVICE.....</b>	<b>21</b>



## **POWER SUPPLY MUST BE SWITCHED OFF BEFORE STARTING TO WORK IN THE ELECTRIC CONTROL BOX**

### **GENERAL RECOMMENDATIONS**

Please read the following safety precautions very carefully before installing the unit.

#### **SAFETY DIRECTIONS**

Follow the safety rules in forces when you are working on your appliance.

The installation, commissioning and maintenance of these units should be performed by qualified personnel having a good knowledge of standards and local regulations, as well as experience of this type of equipment.

The unit should be handled using lifting and handling equipment appropriate to the unit's size and weight.

Any wiring produced on site must comply with the corresponding national electrical regulations.

Make sure that the power supply and its frequency are adapted to the required electric current of operation, taking into account specific conditions of the location and the current required for any other appliance connected with the same circuit.

The unit must be EARTHED to avoid any risks caused by insulation defects.

It is forbidden to start any work on the electrical components if water or high humidity is present on the installation site.

#### **WARNING**

Cutoff power supply before starting to work on the appliance.

When making the hydraulic connections, ensure that no impurities are introduced into the pipe work.

**The manufacturer declines any responsibility and the warranty becomes void if these instructions are not respected.**

If you meet a problem, please call the Technical Department of your area.

If possible, assemble the compulsory or optional accessories before placing the appliance on its final location. (see instructions provided with each accessory).

In order to become fully familiar with the appliance, we suggest to read also our Technical Instructions.

-The informations contained in these Instructions are subject to modification without advance notice.

## INSPECTION AND STORAGE

At the time of receiving the equipment carefully cross check all the elements against the shipping documents in order to ensure that all the crates and boxes have been received. Inspect all the units for any visible or hidden damage.

**In the event of shipping damage, write precise details of the damage on the shipper's delivery note and send immediately a registered letter to the shipper within 48 hours, clearly stating the damage caused. Forward a copy of this letter to the manufacturer or their representative.**

Never store or transport the unit upside down. It must be stored indoors, completely protected from rain, snow etc. The unit must not be damaged by changes in the weather (high and low temperatures). Excessively high temperatures (above 60 °C) can harm certain plastic materials and cause permanent damage. Moreover, the performance of certain electrical or electronic components can be impaired.

## WARRANTY

The appliances are delivered fully assembled, factory tested and ready to operate.

Any modification to the units without the manufacturer's prior approval, shall automatically render the warranty null and void.

The following conditions must be respected in order to maintain the validity of the warranty:

- Commissioning shall be performed by specialised technicians from technical services approved by the manufacturer.
- Maintenance shall be performed by technicians trained for this purpose.
- Only Original Equipment spare parts shall be used.
- All the operations listed in the present manual shall be performed within the prescribed SCHEDULE.



**THE WARRANTY SHALL BE NULL AND VOID IN THE EVENT OF NON-COMPLIANCE WITH ANY OF THE ABOVE CONDITIONS.**

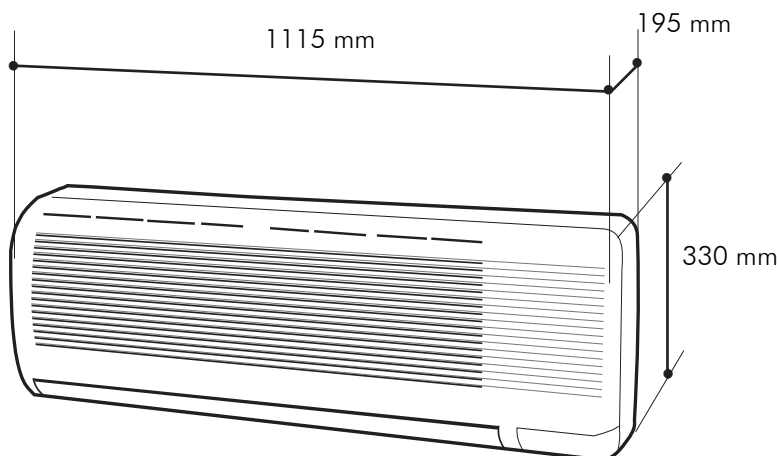
## CONTENTS OF PACKAGE

1 unit with or without 3-way control valve and with or without electric heating.

Accessoires fournis :

- 1 assembly panel
- 4 screws, washers, pegs
- 1 installation instructions
- 2 fiber seals Ø 15 X 21
- 1 remote control panel (option)
- 1 change-over sensor (unit with valve) (option)
- 2 plastic wire fire (option)
- 1 plaited shaft (option)
- 3 Clips 6, 35 with post isolating (option)

## DIMENSIONS



Net weight

**14 Kg**

## TECHNICAL SPECIFICATIONS

- Type of male coupling                      Gas 3/4"
- Flexible connection                         Ø 12mm
- Draining                                        Ø 13mm
- Electric heating capacity                 1590W

TYPE OF APPLIANCE		WITHOUT VALVE	WITH VALVE	WITH HEATING
~ 230 V -50 Hz				
<b>HEATING OR COOLING + VENTILATION + ELECTRIC HEATING</b>				
Nominal current	A	0.2	0.22	<b>7.12</b>
Maximum current	A	0.27	0.29	<b>8.65</b>
Fuse rating gG	A	1	1	<b>10</b>
Fuse rating ASE/VDE	A	2	2	<b>10</b>
Power supply cable	mm <sup>2</sup>	3 G 1.5	3 G 1.5	3 G 1.5
<b>Linking XLM / TAE20</b>				
Cable section	mm <sup>2</sup>	5 x 0.75	7 x 0.75	<b>9 x 0.75</b>

### WATER INTAKE TEMPERATURE LIMIT

**HIGH = 50°C**

**LOW = 5°C**

### IMPORTANT

\* These data are given for guidance only. They must be checked at commissioning according to prevailing standards. They depend on the installation and the cables used.

A main fuse must mandatorily be provided on the power supply.

- Fuses not supplied
- Cables not supplied

**UNIT WITHOUT VALVE , WITHOUT ELECTRIC HEATING**

Water mode	Inlet air temperature Relative humidity			Ventilation speed		
				PV 603 m3/h	MV 753 m3/h	GV 873 m3/h
6°C / 11°C	27°C	Pt	kW	3.095	3.750	4.116
	47%	Ps		2.379	2.876	3.284
	25°C	Pt	kW	2.548	3.094	3.392
	50%	Ps		2.054	2.488	2.845
	23°C	Pt	kW	2.021	2.331	2.560
	50%	Ps		1.830	2.162	2.490
7°C / 12°C	27°C	Pt	kW	2.754	3.340	3.660
	47%	Ps		2.231	2.698	3.090
	25°C	Pt	kW	2.235	2.714	2.977
	50%	Ps		1.923	2.323	2.674
	23°C	Pt	kW	1.826	2.099	2.255
	50%	Ps		1.740	2.061	2.255
8°C / 13°C	27°C	Pt	kW	2.437	2.957	3.242
	47%	Ps		2.098	2.539	2.921
	25°C	Pt	kW	2.017	2.376	2.609
	50%	Ps		1.829	2.184	2.523
	23°C	Pt	kW	1.650	1.906	2.044
	50%	Ps		1.650	1.906	2.044
10°C / 15°C	27°C	Pt	kW	1.949	2.312	2.552
	47%	Ps		1.903	2.282	2.552
	25°C	Pt	kW	1.645	1.902	2.041
	50%	Ps		1.645	1.902	2.041
	23°C	Pt	kW	1.355	1.571	1.636
	50%	Ps		1.355	1.571	1.636

Pt=Total capacity Ps=Sensible capacity

Water mode	Inlet air temperature			Ventilation speed		
				PV 658 m3/h	MV 774 m3/h	GV 857 m3/h
40°C / 30°C	27°C	Pt	kW	2.062	2.236	2.348
	25°C	Pt	kW	1.922	2.077	2.179
	23°C	Pt	kW	1.777	1.918	2.010
45°C / 35°C	27°C	Pt	kW	2.958	3.289	3.518
	25°C	Pt	kW	2.776	3.086	3.297
	23°C	Pt	kW	2.589	2.879	3.076
50°C / 40°C	27°C	Pt	kW	3.896	4.340	4.642
	25°C	Pt	kW	3.719	4.141	4.431
	23°C	Pt	kW	3.541	3.940	4.216

**REMINDER****ANTIFREEZE MANDATORY**

Protection system complying with STANDARD to be provided.



**UNIT WITHOUT VALVE , WITH ELECTRIC HEATING 1590 W**

Water mode	Inlet air temperature Relative humidity			Ventilation speed		
				PV 603 m3/h	MV 753 m3/h	GV 873 m3/h
6°C / 11°C	27°C	Pt	kW	2.620	2.086	3.332
	47%	Ps		1.956	2.287	2.481
	25°C	Pt	kW	2.127	2.516	2.719
	50%	Ps		1.675	1.958	2.133
	23°C	Pt	kW	1.643	1.840	1.996
	50%	Ps		1.471	1.668	1.824
7°C / 12°C	27°C	Pt	kW	2.309	2.721	2.936
	47%	Ps		1.823	2.126	2.313
	25°C	Pt	kW	1.841	2.181	2.358
	50%	Ps		1.554	1.813	1.978
	23°C	Pt	kW	1.484	1.663	1.753
	50%	Ps		1.401	1.593	1.720
8°C / 13°C	27°C	Pt	kW	2.023	2.386	2.574
	47%	Ps		1.703	1.982	2.159
	25°C	Pt	kW	1.640	1.890	2.044
	50%	Ps		1.470	1.693	1.847
	23°C	Pt	kW	1.341	1.509	1.595
	50%	Ps		1.341	1.509	1.595
10°C / 15°C	27°C	Pt	kW	1.585	1.849	1.997
	47%	Ps		1.528	1.766	1.932
	25°C	Pt	kW	1.338	1.507	1.594
	50%	Ps		1.338	1.507	1.594
	23°C	Pt	kW	1.102	1.243	1.315
	50%	Ps		1.102	1.243	1.315

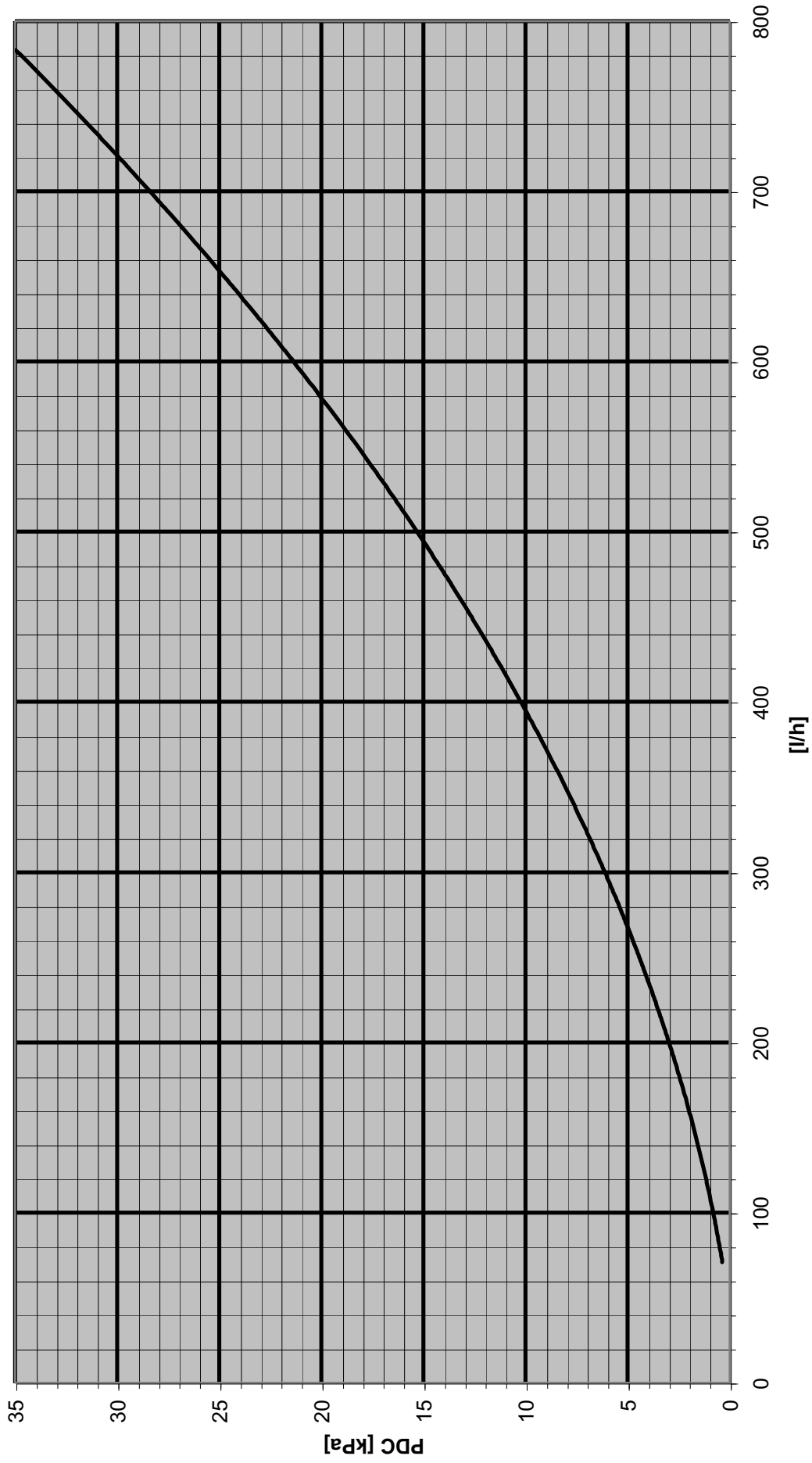
Pt=Total capacity Ps=Sensible capacity

Water mode	Inlet air temperature			Ventilation speed		
				PV 658 m3/h	MV 774 m3/h	GV 857 m3/h
40°C / 30°C	19°C	Pt	kW	1.684	1.925	2.041
	20°C	Pt	kW	1.565	1.787	1.863
	21°C	Pt	kW	1.444	1.648	1.718
45°C / 35°C	19°C	Pt	kW	2.452	2.933	3.111
	20°C	Pt	kW	2.296	2.752	2.919
	21°C	Pt	kW	2.142	2.568	2.724
50°C / 40°C	19°C	Pt	kW	3.239	3.856	4.091
	20°C	Pt	kW	3.091	3.683	3.905
	21°C	Pt	kW	2.942	3.505	3.719

**REMINDER****ANTIFREEZE MANDATORY**

Protection system complying with STANDARD to be provided.

### CURVE OF PRESSURE DROP



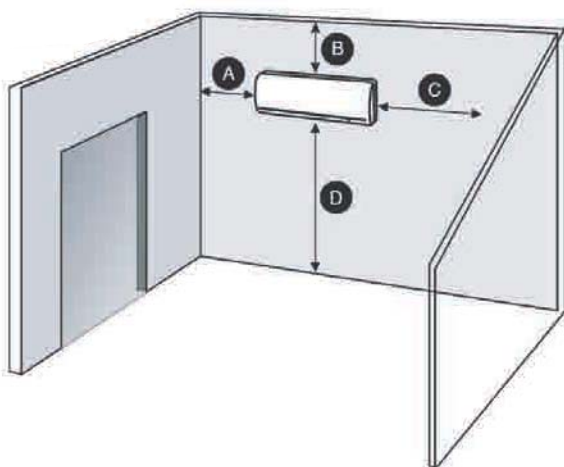
## INSTALLATION

### LOCATION OF THE INDOOR UNIT

Select a location taking into account the following points:

- The indoor units (ST) can be installed in 2 different rooms. The INDOOR UNIT should not be installed in a bathroom or a laundry.
- The location should be well aired without any object or piece of furniture standing in the way; the air should circulate freely.
- Do not place the appliance close to a heatsource, do not expose it directly to sunrays.
- The location should allow easy connection of the power supply, of the cooling pipes and condensate drain.
- The unit should be mounted on a wall sturdy enough to withstand the weight of the appliance.
- The panel of assembly should be installed as shown in the diagram below.

### CLEARANCE



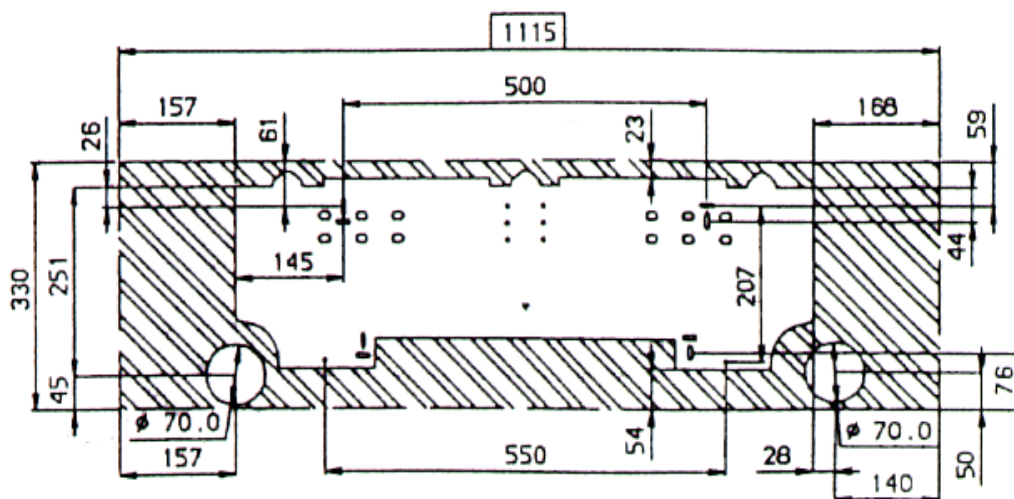
- A** 50 mm mini.
- B** 80 mm mini.
- C** 50 mm mini.
- D** 1500 mm mini.

### INSTALLATION OF THE ASSEMBLY PANEL

Place the assembly panel horizontally on the wall, as shown, by means of a bubble level .

Mark the position of the four holes of the panel on the wall and drill these holes to be filled with pegs.

Assemble the panel on the wall with the four screws. Tighten the screws.



## BORING THE WALL FOR PASSAGE OF THE HYDRAULIC PIPES

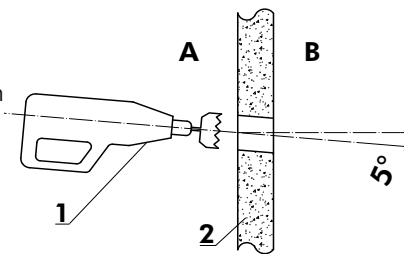
Mark the position of the hole at each side of the assembly panel as shown on the diagram, next drill these holes under an angle of 5° downwards.

The hole downwards allows to avoid condensates or rain to enter inside.

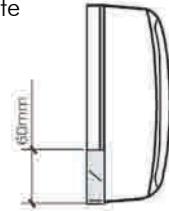
Place a standard plastic tube  $\varnothing$  70 mm in the hole.

One can also run the hydraulic connections in a chute again the wall. To do this, enlarge the pre-recessed part of the plastic bottom in order to be able to position the inlet and outlet hoses as well as the condensate drainage line.

- A Outside dimension
- B Inside dimension
- 1 Drill press  $\varnothing$  70 mm
- 2 Wall



Pre-recessed part to be enlarged for passage in the chute



## ASSEMBLY AND REMOVAL OF THE APPLIANCE FROM THE ASSEMBLY PANEL

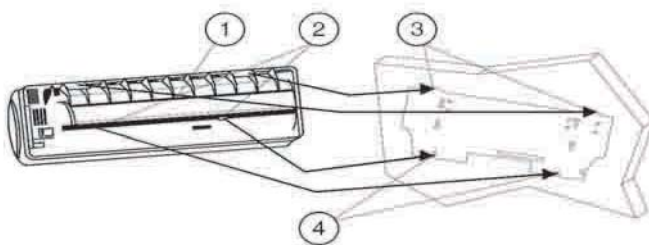
See to it that the hydraulic links (insulated with 9mm thickness in the case of elastomer line, and 13mm in the case of copper line), the electric cables and the drainpipe are insulated by means of an appropriate tube ("Armaflex" type, 5 mm thickness); they should be covered all together with a plastic, non-adhesive strip, and passed through the hole of the wall.

Hang the indoor unit on the 2 hooks located close to the upper edge of the assembly panel. Press the lower part of the indoor unit against the assembly panel until the latches interlock in the slots and lock the indoor unit on the assembly panel. Check that the unit is well locked on the panel by pulling the unit.

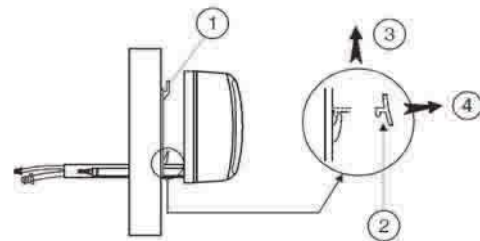
In order to remove the unit from the mounting plate, raise and pull outwar.

- Make sure that the hooks are locked.

- 1 Indoor unit
- 2 Fixing latch
- 3 Upper hooks
- 4 Lower hooks



- 1 Assembly panel
- 2 Lower hooks
- 3 Lifting
- 4 Pulling



## CONNECTION OF HYDRAULIC LINKS

When making the connection

- **be sure to connect the entry water supply to the link with a colored stain on the nut.**

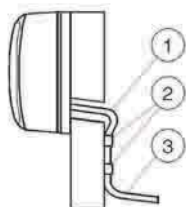


The appliance should be cut off by putting stop valves on the water supply.

## ASSEMBLY OF THE DRAINPIPE

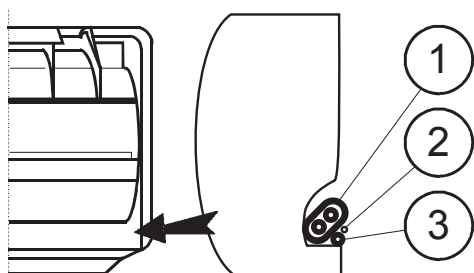
Connect the drainpipe with the flexible tube in the seat at the rear of the indoor unit .

- 1 Drainpipe
- 2 Fastening clip
- 3 Downwards plane



Possible outlets of hydraulic pipes

Place the pipe against the hydraulic pipes and the electric cables.



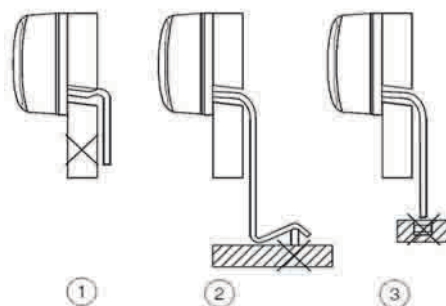
- 1 Electric cable
- 2 Hydraulic pipe
- 3 Drainpipe

Check that the drainpipe is running downwards.

Avoid siphons and bends when installing the drainpipe.

The end of the pipe should be under waterlevel.

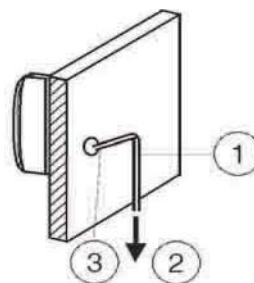
- 1 Siphon
- 2 Bend
- 3 End dipping into water



For an outlet at the left, lay the drainpipe in the seat at the rear of the unit .

If the location selected requires to use long horizontal sections of the drainpipe, provide for an opening at the top of the pipe to avoid overflow of the condensating tray.

- 1 Opening
- 2 Draining condensates downwards
- 3 Drainpipe



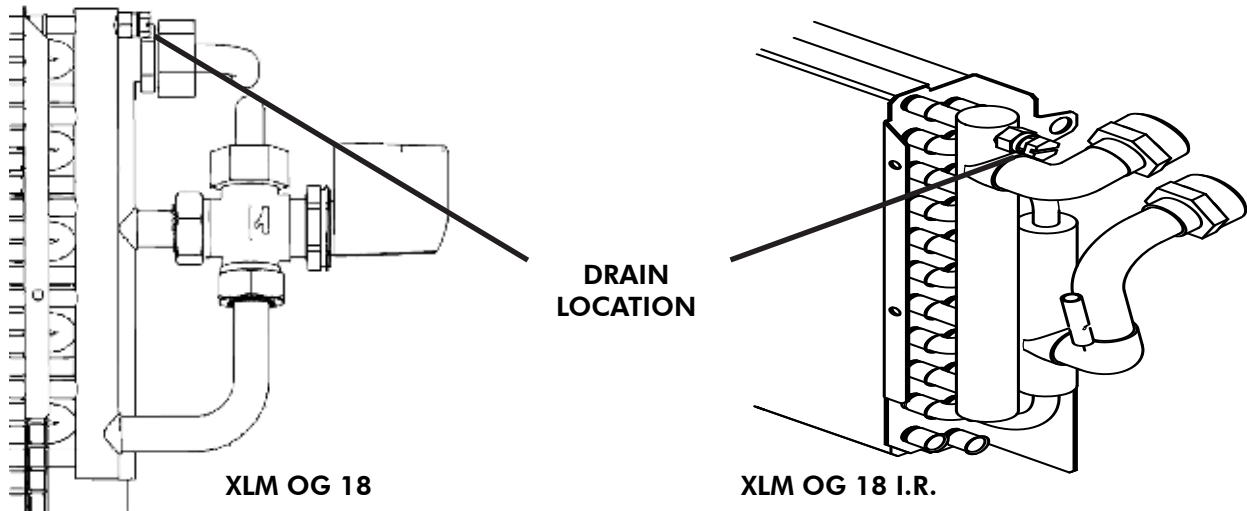
After having finished the installation, test the draining by pouring at least two liters of water into the condensating tray. Check that water is freely being drained.

## FINAL OPERATIONS

If needed fix the cables and the linking pipes on the wall with collar clamps.

Start operating the airconditioner in the presence of the user and explain all the functions.

Show how to remove the filters, to clean them and to place them back.



## MAINTENANCE AND REPAIRS SHOULD BE CARRIED OUT BY QUALIFIED SPECIALISTS

Before carrying out any servicing operations, check that the air conditioner is disconnected.

In order to remove the air filter, lift the front panel, push the filter slightly upward in order to unlock them.

### DO NOT OPERATE THE AIR CONDITIONER WITHOUT THE FILTER!

**Note** :The filter should be cleaned at least once a month.

### CLEARING THE AIR CONDITIONER

Rub the indoor unit with a soft, dry cloth or else clean it with a vacuum cleaner.

Do not use hot water or volatile detergent products which may damage the outside of the air conditioner.

### PRECAUTIONARY MEASURES TO BE TAKEN AT THE BEGINNING OF THE SEASON

Check that there are no obstacles to the air which is sucked in and blown out, on both the indoor and outdoor units.

Check that the air conditioner is properly connected.

We recommend that the appliance be maintained by qualified specialists (cleaning the turbine, condensates tray, etc...)

## UNIT INFRA RED - INFRA RED REMOTE CONTROL



This accessory is compatible with a chilled water or hot water 2 pipes water terminal. This unit is always delivered with a changes over sensor installed into factory.

### USE

Two modes available:

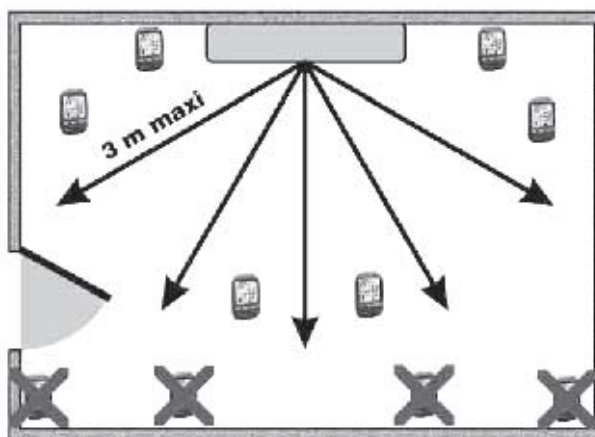
- Cooling
- Heating
- Auto

For each of these modes, fan ventilation can be configured in LS, MS, HS and Auto Ventilation modes.

For certain conditions of use, a 5 minute time delay is required at start up. During these 5 minutes, the remote control is inoperative.

### THERMOSTAT LOCATION

**The unit must be installed and fitted in accordance with current safety standards by a qualified technician.**



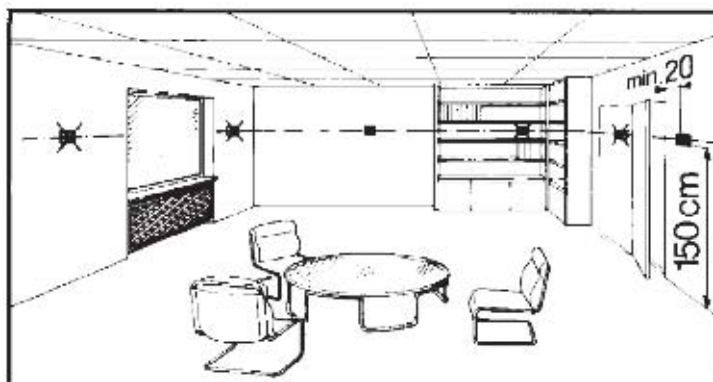
Our prospectus contains all the information concerning application possibilities and installation dimensions and, in particular, the thermostat's technical characteristics.

Fitting height: about 1.50 m above floor level.

Take care not to locate the thermostat in draughts created by doors and windows.

Also ensure that the thermostat is located in the room's normal thermal currents and that it is not located in shelving or covered by curtains.

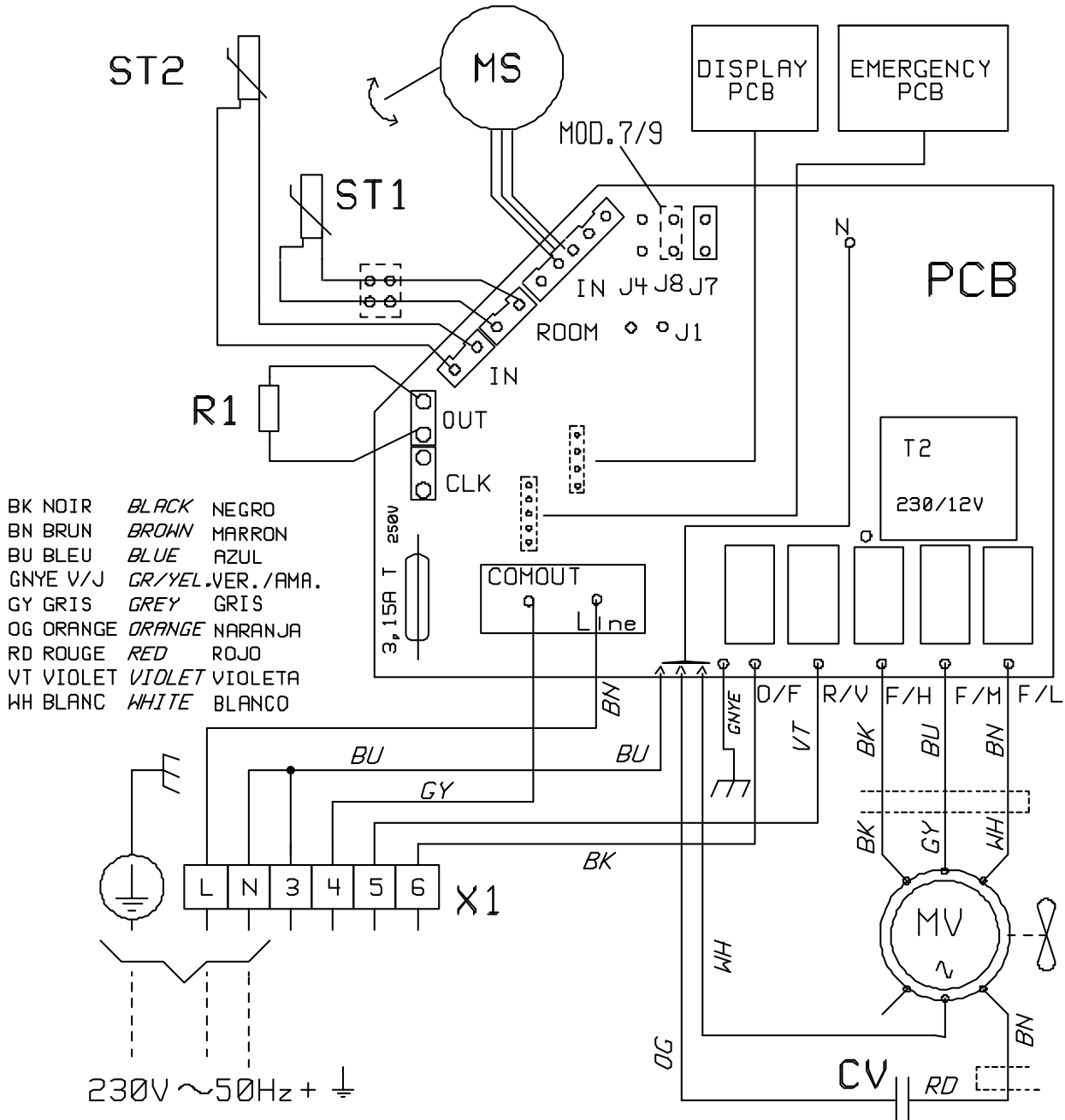
Any source of parasitic heat negatively influences temperature regulation accuracy. Therefore, avoid the sun's rays or proximity to portable heating devices, electric lights, chimneys, televisions, etc...



**ELECTRICAL CONNECTIONS**



CLIMATISEUR MURAL EAU GLACEE IR  
 IR WALL MOUNTED CHILLED WATER AIR CONDITIONER  
 CLIMATIZADORES MURAL AGUA HELADA IR



- |           |                  |         |
|-----------|------------------|---------|
| BK NOIR   | BLACK            | NEGRO   |
| BN BRUN   | BROWN            | MARRON  |
| BU BLEU   | BLUE             | AZUL    |
| GNYE V/J  | GR/YEL.VER./AMA. |         |
| GY GRIS   | GREY             | GRIS    |
| OG ORANGE | ORANGE           | NARANJA |
| RD ROUGE  | RED              | ROJO    |
| VT VIOLET | VIOLET           | VIOLETA |
| WH BLANC  | WHITE            | BLANCO  |

SE 2987 B  
 CODE: 399382

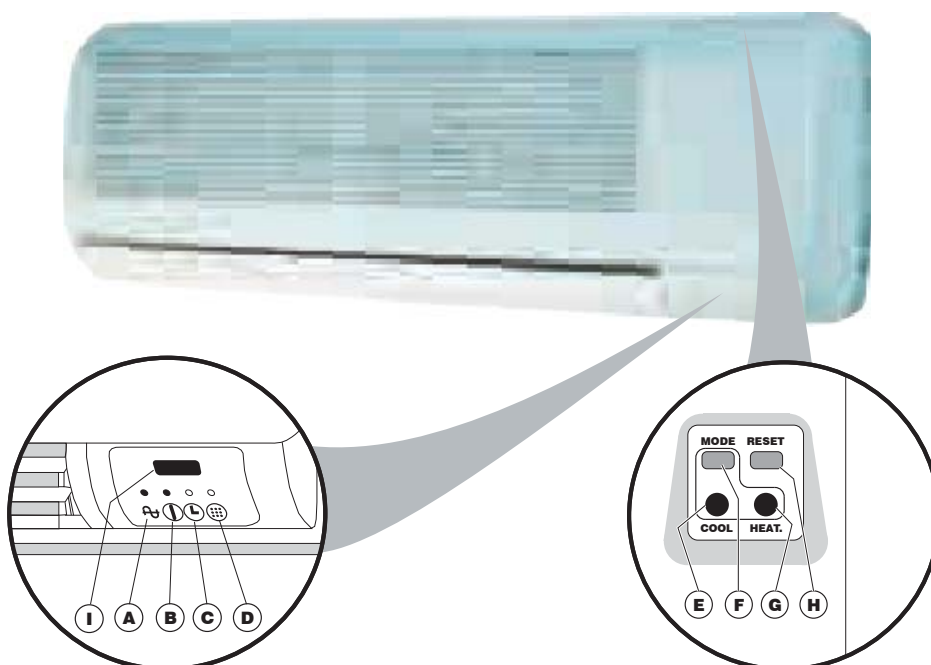
- |                             |                              |
|-----------------------------|------------------------------|
| MV MOTEUR VENTIL.3 VITESSES | MV FAN MOTOR 3 SPEED         |
| CV CONDENSATEUR             | CV CAPACITOR                 |
| X1 BORNIER                  | X1 TERMINAL STRIPE           |
| PCB CARTE PROCESSEUR        | PCB GENERAL CONTROLLER       |
| ST1 SONDE D' AMBIANCE ROOM  | ST1 ROOM TEMP. SENSOR        |
| ST2 SONDE TEMP. ENTREE EAU  | ST2 INLET WATER TEMP. SENSOR |
| R1 RESISTANCE 3,9 Kohm      | R1 3,9 Kohm RESISTOR         |
| MS MOTEUR VOLETS            | MS DUMPER STEP MOTOR         |



## UNIT CONTROLS AND WARNING LIGHTS



- A** STANDBY light
- Lights up when the air conditioner is connected to the power supply and is ready to receive instructions from the remote control.
- B** OPERATION light
- Lights up during operation. It flashes to confirm that the signal from the remote control has been received and memorised.
- C** TIMER light
- Lights up when the timer and the night time slow running (SLEEP) – energy savings function are operating.
- D** FILTER light
- Lights up to indicate that the air filter needs cleaning.
- E** Light
- COOLING.
- F** Button
- OPERATION in COOLING / HEATING / ON / OFF MODES.
  - Used for stopping (OFF) or starting (ON) the unit in COOLING or HEATING mode without using the remote control.
- G** Light
- HEATING.
- H** ACTIVATION key
- Press to turn off the warning light and for reactivating its operation.
  - Press for cancelling the audible signal.
- I** SIGNAL receiver
- Receives signals from the remote control



## ROOM THERMOSTAT TRM-VP AND TRM-FA

### USE

The room thermostat of the air conditioner regulates the room temperature. It is designed for closed, dry rooms such as flats, offices, etc.

Maximum acceptable relative humidity of the air : 95%. This value should not be exceeded.

Avoid condensation.



### SWITCHES

Linear switch



Switch 0 - I

- ON "I"
- OFF "0"

Linear switch

- COOLING



- HEATING



### THERMOSTAT LOCATION

**The unit must be installed and fitted in accordance with current safety standards by a qualified technician.**

The best location is opposite the source of heat, on an inside wall.

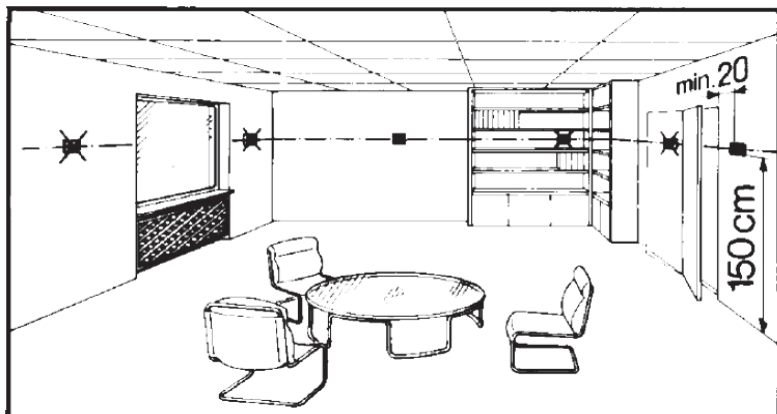
Our prospectus contains all the information concerning application possibilities and installation dimensions and, in particular, the thermostat's technical characteristics.

Fitting height: about 1.50 m above floor level.

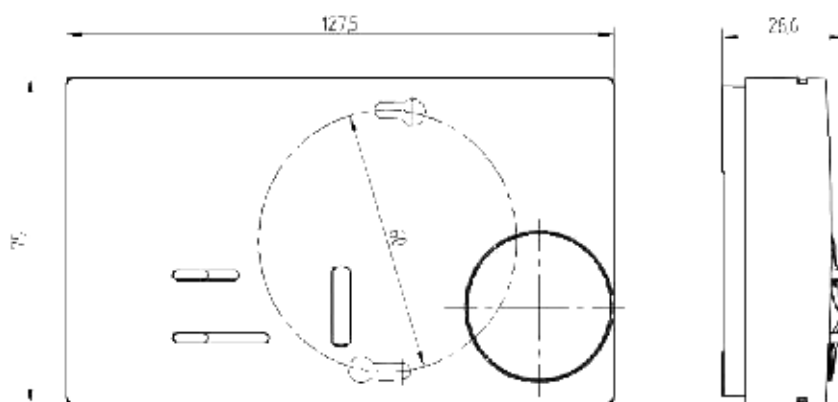
Take care not to locate the thermostat in draughts created by doors and windows.

Also ensure that the thermostat is located in the room's normal thermal currents and that it is not located in shelving or covered by curtains.

Any source of parasitic heat negatively influences temperature regulation accuracy. Therefore, avoid the sun's rays or proximity to portable heating devices, electric lights, chimneys, televisions, etc...



## DIMENSIONS



## WALL MOUNTING

- Remove the thermostat control knob, the screw and the cover.
- On a flat surface, mount the control panel using plugs and screws.
- Install the cover, the screw and the thermostat control knob.

## ELECTRICAL CONNECTIONS

Connection of the thermostat **TRM-VP** and **TRM-FA**.

Connections should be made according to the diagram (SEE APPENDIX).

Max. cross-sectional area of wires : 2,5 mm<sup>2</sup>

## TECHNICAL CHARACTERISTICS

Operating voltage	230 V 50
Contact configuration	SPDT
Temperature range	5 to 30°C
Switching current at 230V AC	6A (cos φ=1) / 3A (cos φ =0.6)
Switching differential	approx. 0,5 K
Sensor system	bimetal
Switches	ON / OFF
	mode of operation
	fan speed

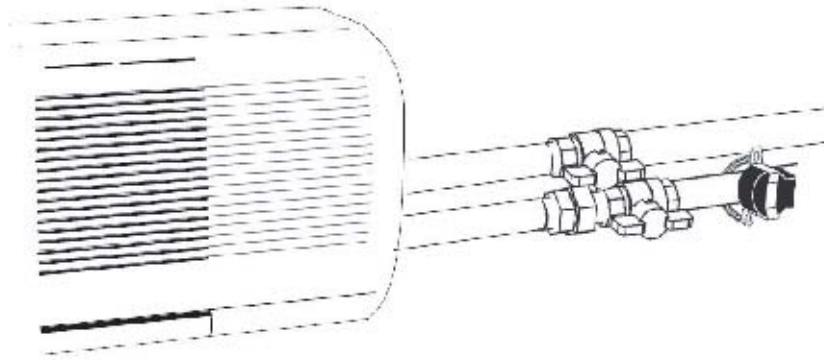
## INSTALLATION OF PIPE THERMOSTAT (CHANGE OVER)



The pipe thermostat (change-over switch) supplied in option is to be mounted on the water supply pipe.

Crimp the 6.35 F fast-on clips with their insulator bushes (supplied) on the wires of this thermostat.

**THIS ACCESSORY MUST BE USED IN CONJUNCTION WITH A 3-WAY**



### OPERATING TEMPERATURE RANGE

Opening  $30 \pm 4^\circ \text{C}$

Closing  $15 \pm 4^\circ \text{C}$

### CONNECTION OF THE CHANGE-OVER SWITCH

Protect the wires with the flexible sheath supplied.

Wire as shown in the wiring diagram at the end of this booklet.

**SEE APPENDIX**



### ADJUSTMENT OF THE TEMPERATURE RANGE

The room thermostat is set in the factory for a minimum temperature of +5°C and a maximum temperature of +30°C.

Two rings are provided inside the knob for reducing the temperature range.

➤ Example: 12°C to 25°C

### ADJUSTMENT PROCEDURE

1. Setting the temperature range  
e.g. max. 25°C, min. 12°C.
2. Remove the control knob.
3. Use a pointed object to align the mark on the red ring (max. value) with the desired maximum temperature (25°C), turning the red index opposite the outside numbers counterclockwise.
4. Use a pointed object to align the mark on the blue ring (min. value) with the desired minimum temperature (12°C), turning the blue index opposite the inside numbers clockwise.
5. Install the control knob.



The temperature ranges can be graduated in:



- degrees Celsius °C  
from 5°C to 30°C
- number 1 to 6  
1=5°C  
2=10°C  
3=15°C  
4=20°C  
5=25°C  
6=30°C

## TAE20 AMBIENCE THERMOSTAT



### FIELDS OF APPLICATION

- Regulating ambient temperature in rooms heated or cooled by 2 tubes convector fans with electric heating.
- Opening and closing the valve.
- Cutting in and out the electric heating.
- Controlling the three speed fan.

### DESCRIPTION

The unit comprises two parts:

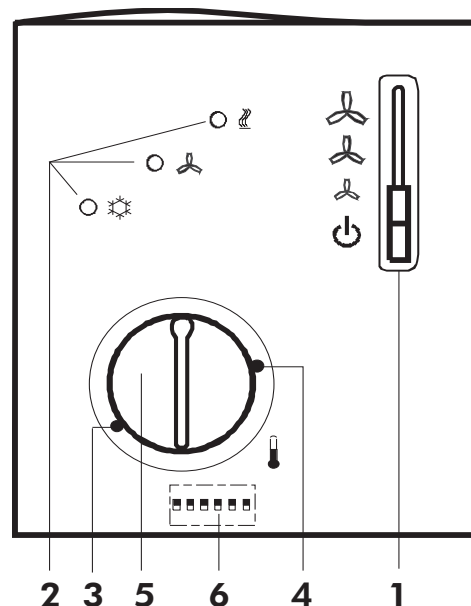
- A plastic case, housing the electronics, the controls and an internal ambience sensor.
- A mounting plate.

The case is hooked onto the fitted mounting plate, then click fastened.

The screw terminal connections are located on the mounting plate, with the DIP switches on the back of the case.

### ADJUSTMENT AND CONTROL ELEMENTS

- 1 Operating mode switch "ON-OFF" and manual fan speed selection).
- 2 Electro-luminescent diodes for displaying the heating and cooling modes and the fan.
- 3 Minimum temperature setting limiter (adjustable by increments of 1 K). Mechanical stop accessible by removing the button 5.
- 4 Maximum temperature setting limiter (adjustable by increments of 1 K). Mechanical stop accessible by removing the button 5.
- 5 Ambient temperature setting adjustment button.
- 6 Set of DIP switches.



**REFER TO SPECIAL TAE 20 ROOM THERMOSTAT MANUAL**

## WIRING DIAGRAM

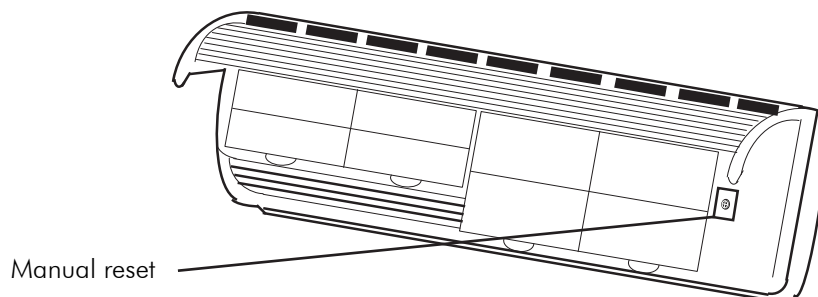
# SEE APPENDIX



A device to disconnect all the power conductors with an approved minimum opening distance must be included in the mains power supply according to best installation practices.

## RESET SAFETY DEVICE

The electric heating system is equipped with **1 SAFETY DEVICES**. They cut off electrical supply to the heating resistances as soon as an operating anomaly is detected.







**APPENDIX**  
**ANNEXE**  
**ANLAGE**  
**ALLEGATO**  
**ANEXO**

---



**WIRING DIAGRAM****SCHEMAS ELECTRIQUES****STROMLAUFPLANS****SCHEMA ELETRICO****ESQUEMA ELECTRICO****TAKE CARE!**

These wiring diagrams are correct at the time of publication. Manufacturing changes can lead to modifications. Always refer to the diagram supplied with the product.

**ATTENTION**

Ces schémas sont corrects au moment de la publication. Les variantes en fabrication peuvent entraîner des modifications. Reportez-vous toujours au schéma livré avec le produit.

**ACHTUNG!**

Diese Stromlaufpläne sind zum Zeitpunkt der Veröffentlichung gültig. In Herstellung befindliche Varianten können Änderungen mit sich bringen. In jedem Fall den mit dem Produkt gelieferten Stromlaufplan hinzuziehen.

**ATTENZIONE !**

Questi schemi sono corretti al momento della pubblicazione. Le varianti apportate nel corso della fabbricazione possono comportare modifiche. Far sempre riferimento allo schema fornito con il prodotto.

**ATENCIÓN !**

Esto esquemas son correctos en el momento de la publicación. Pero las variantes en la fabricación pueden ser motivo de modificaciones. Remítase siempre al esquema entregado con el producto.

**POWER SUPPLY MUST BE SWITCHED OFF BEFORE STARTING TO  
WORK IN THE ELECTRIC CONTROL BOXES!**



**MISE HORS TENSION OBLIGATOIRE AVANT TOUTE INTERVENTION  
DANS LES BOITIERS ELECTRIQUES.**

**VOR JEDEM EINGRIFF AN DEN ANSCHLUßKÄSTEN UNBEDINGT  
DAS GERÄT ABSCHALTEN!**

**PRIMA DI OGNI INTERVENTO SULLE CASSETTE ELETTRICHE  
ESCLUDERE TASSATIVAMENTE L'ALIMENTAZIONE !**

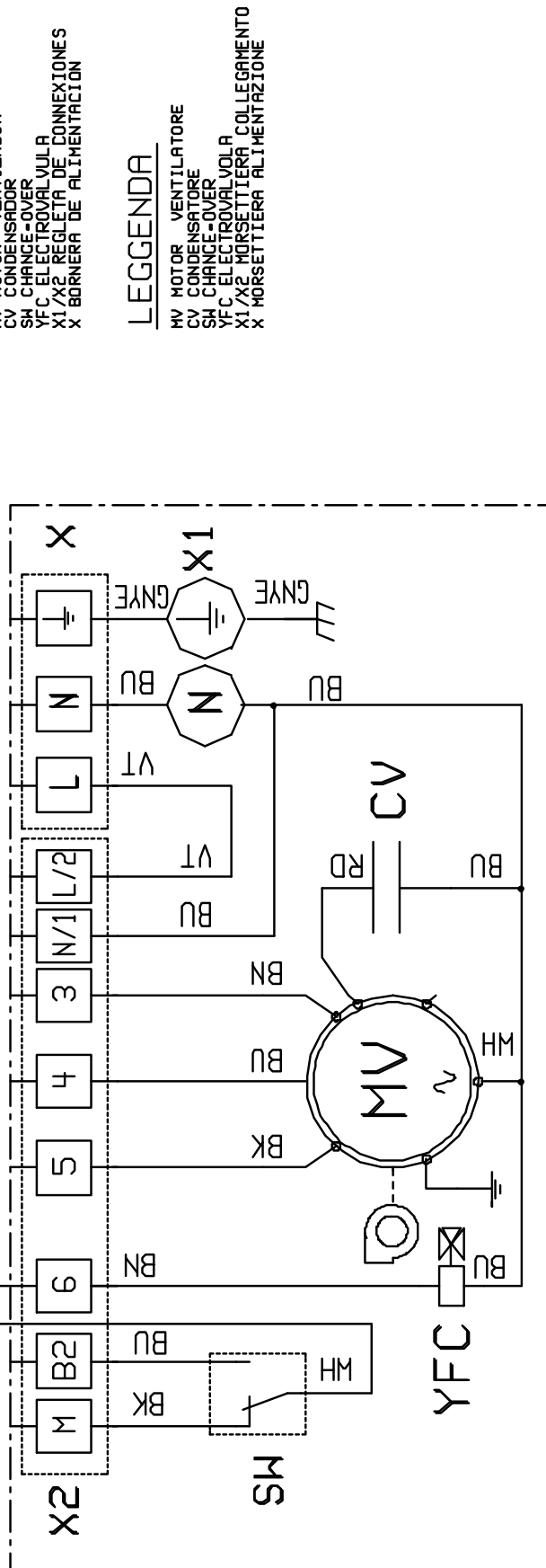
**PUESTA FUERA DE TENSION OBLIGATORIA ANTES DE CUALQUIER  
INTERVENCIÓN EN LAS CAJAS ELÉCTRICAS!**

230V ~ 50Hz	
SE 3135	399909

BK	NEGRO	BLACK	SCHWARZ	NERO
BN	NARRON	BROWN	BRAUN	BRUNO
BU	VERDE	GREEN	GRÜN	VERDE
CY	AZUL	BLUE	BLAU	AZZURRO
DG	GRIS	GREY	GRAU	GRIGIO
RD	NARANJA	ORANGE	ORANGE	FRANCIONE
RO	ROJO	RED	ROT	ROSSO
VT	VIOLETA	VIOLET	VIOLETT	VIOLOA
NH	BLANCO	WHITE	WEISS	BIANCO

VERS THERMOSTAT  
TO THERMOSTAT  
ZU RAUMTHERMOSTAT  
VIA THERMOSTATO  
A THERMOSTATO

230V ~ 50Hz + ⚡



LEGENDE

- MV MOTEUR VENTILATION
- CV CONDENSATEUR
- SH CHANGE-OVER
- YFC VANNE 4 VOIES
- X1/X2 BORNIER D'ALIMENTATION
- X BORNIER D'ALIMENTATION

LEGENDE

- MV LUFTMOTOR
- CV KONDENSATOR
- SH CHANGE-OVER
- YFC MAGNETVENTIL
- X1/X2 KLEMMLEISTE
- X ANSCHLUSS KLEMMLEISTE

LEGEND

- MV FAN MOTOR
- CV CAPACITOR
- SH CHANGE-OVER
- YFC 4 WAYS VALVE
- X1/X2 UNIT TERMINAL
- X MAIN TERMINAL STRIP

LEYENDA

- MV MOTOR VENTILADOR
- CV CONDENSADOR
- SH CHANGE-OVER
- YFC ELECTROVALVULA
- X1/X2 REGLETA DE CONEXIONES
- X BORNERA DE ALIMENTACION

LEGGENDA

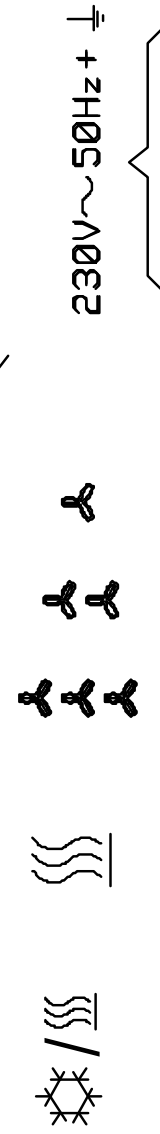
- MV MOTOR VENTILATORE
- CV CONDENSATORE
- SH CHANGE-OVER
- YFC ELECTROVALVOLA
- X1/X2 MORSETTIERA COLLEGAMENTO
- X MORSETTIERA ALIMENTAZIONE

VIA TERMOSTATO: COLLEGAMENTI SECONDO LE OPZIONI  
 A TERMOSTATO: CABLEADO SEGUN OPCIONES  
 ZU RAUMTHERMOSTAT: VERBINDUNG NACH OPTIONEN  
 TO THERMOSTAT: WIRING ACCORDING TO OPTIONS  
 VERS THERMOSTAT: CABLAGE SELON OPTION

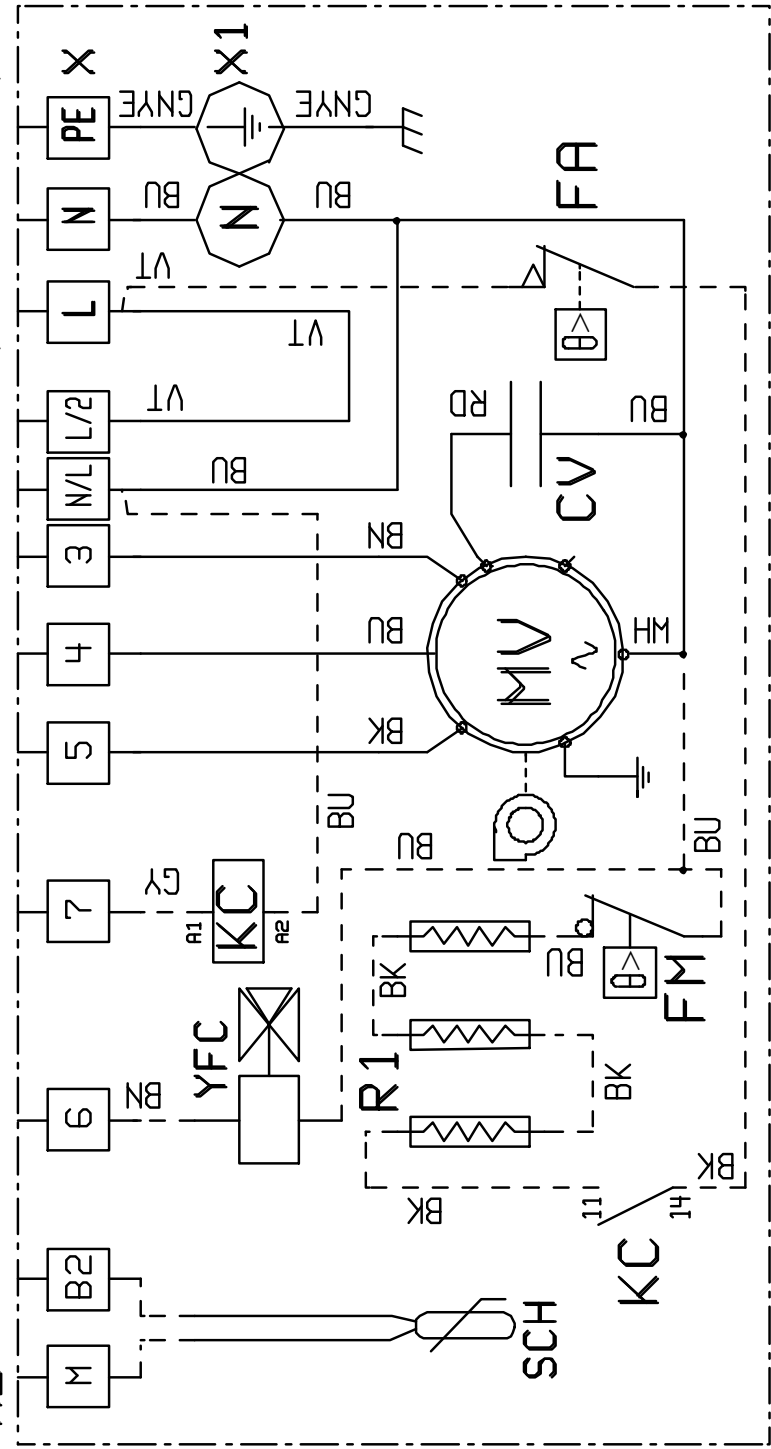
OPZIONI  
 OPCIONES  
 OPTIONEN  
 OPTIONS  
 OPTIONS

# 18/50








BK	NDR	BLCK	SCHWARZ	NEGRO	NERO
BN	BRUN	BROWN	BRUN	MARRON	MARRONE
BU	BLEU	BLUE	BLAU	AZUL	BLU
GNYE	VERT/	GREEN/	GRÜN/	VERDE/	GIALLO/
JAUNE	VERT/	YELLOW	GELB	VERDE	VERDE
JRNE	JAUNE	YELLOW	GELB	AMARILLO	VERDE
VIOL	VIOLET	PURPLE	VIOLET	VIOL	VIOLA
BLANC	BLANC	WHITE	WEISS	BLANCO	MH

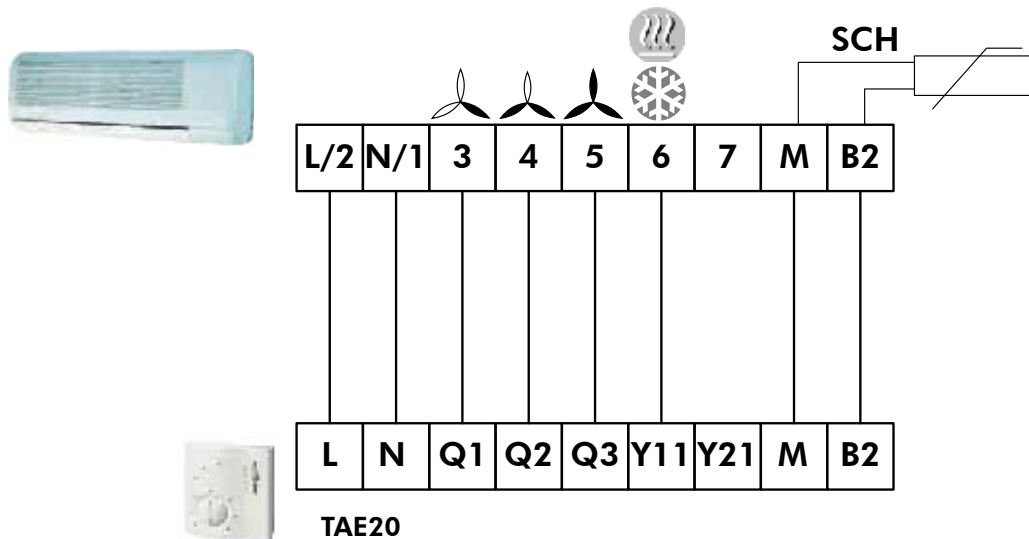
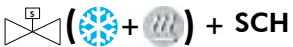
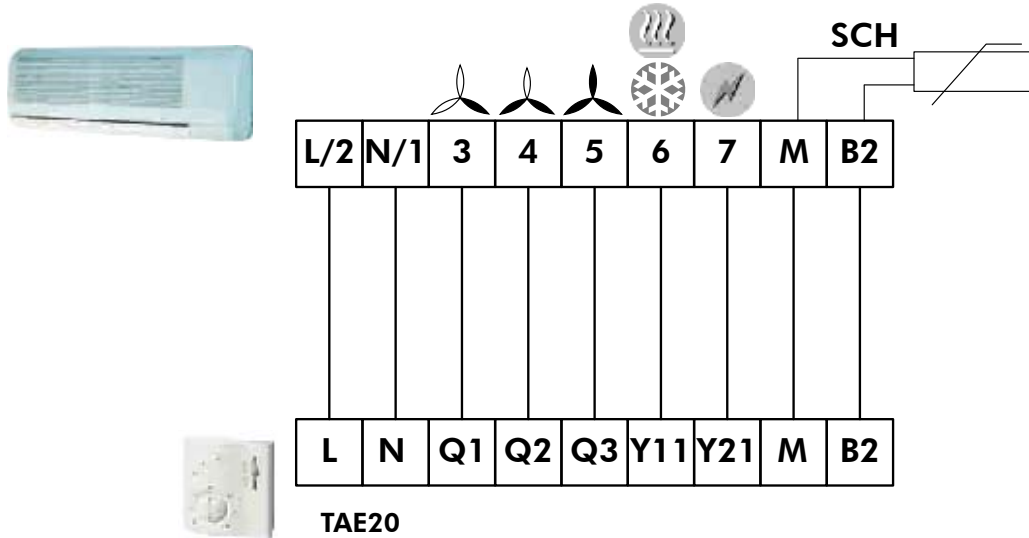


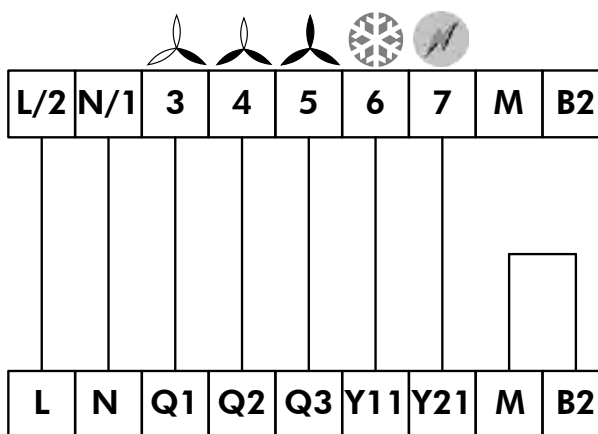
230V ~ 50Hz + ⚡



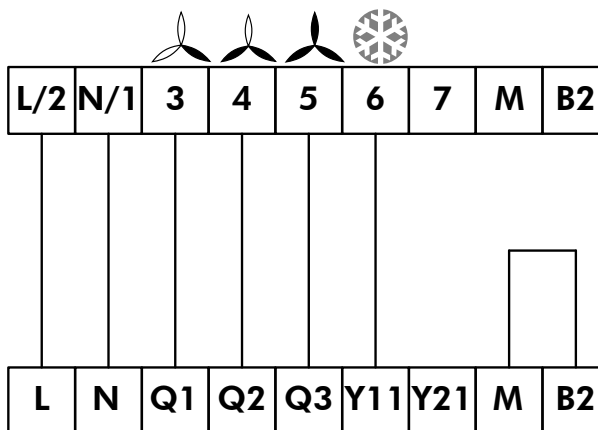
# APPENDIX / ANNEXE / ANLAGE / ALLEGATO / ANEXO

								<b>SCH</b>	<b>SW</b>
<b>GB</b>	COOLING	HEATING	LOW SPEED	MEDIUM SPEED	HIGH SPEED	ELECTRIC HEATING	CONTROL VALVE	CHANGE OVER (TAE 20)	CHANGE OVER (TRM-FA TRM-VP)
<b>F</b>	FROID	CHAUD	PETITE VITESSE	VITESSE MOYENNE	GRANDE VITESSE	CHAUFFAGE ELECTRIQUE	VANNE DE REGULATION	CHANGE OVER (TAE 20)	CHANGE OVER (TRM-FA TRM-VP)
<b>D</b>	KÜHLUNG	HEIZUNG	KLEINE GESCHWINDIGKEIT	MITTLERE GESCHWINDIGKEIT	HOHE GESCHWINDIGKEIT	ELEKTROHEIZUNG	REGELVENTIL	CHANGE OVER (TAE 20)	CHANGE OVER (TRM-FA TRM-VP)
<b>I</b>	FREDDO	RISCALDO	BASSA VELOCITÀ	VELOCITÀ MEDIA	ALTA VELOCITÀ	RISCALDAMENTO ELETTRICO	VALVOLA DI REGOLAZIONE	CHANGE OVER (TAE 20)	CHANGE OVER (TRM-FA TRM-VP)
<b>E</b>	FRIJO	CALOR	VELOCIDAD BAJA	VELOCIDAD MEDIA	VELOCIDAD ALTA	CALEFACCION ELECTRICA	VÁLVULA REGULADORA	CHANGE OVER (TAE 20)	CHANGE OVER (TRM-FA TRM-VP)

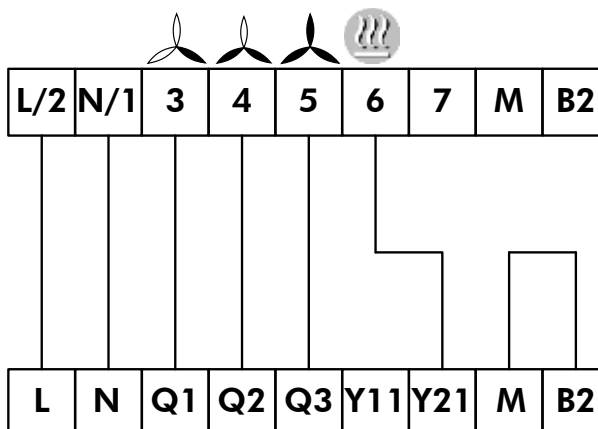




TAE20

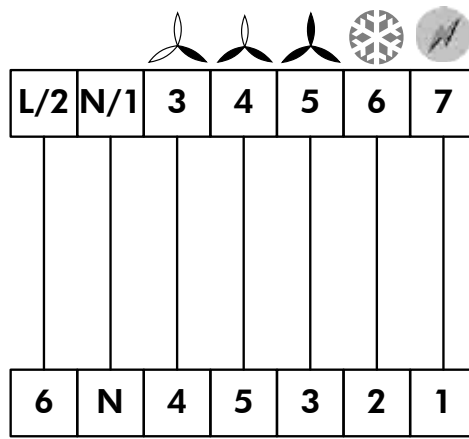


TAE20

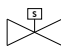




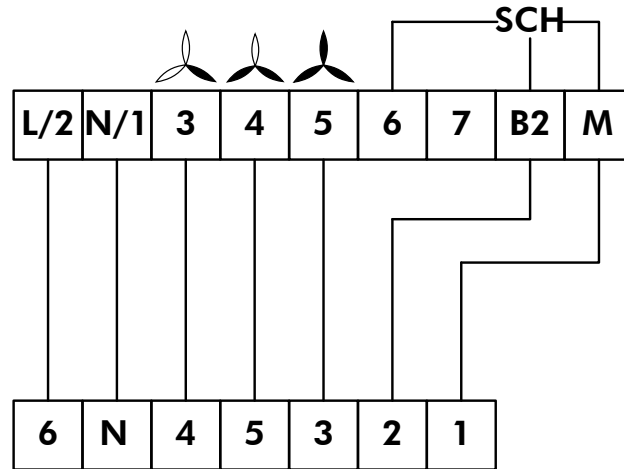
TAE20

 (  ) + 



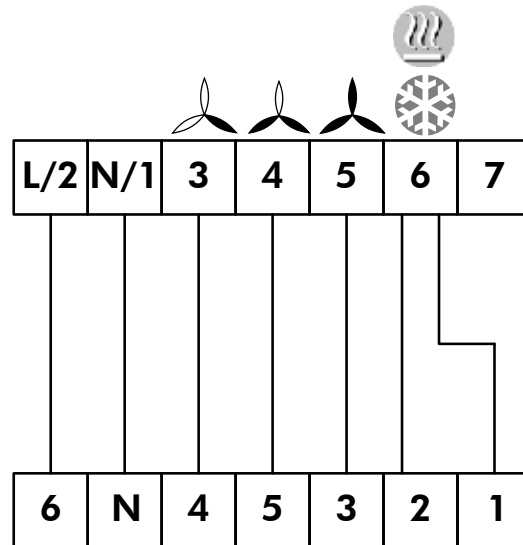
TRM-VP

 (  +  ) + SCH



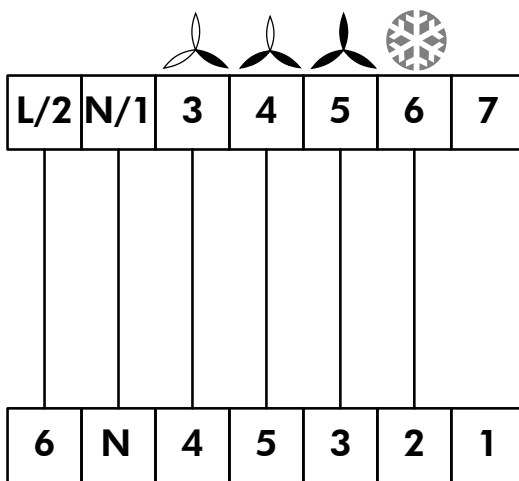
TRM-VP

 (  +  )

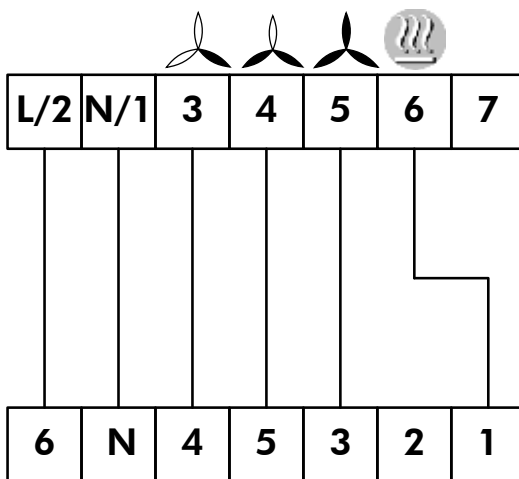


TRM-VP

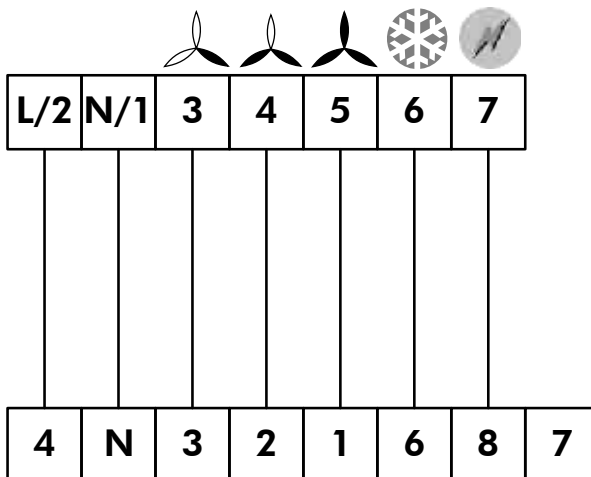




TRM-VP

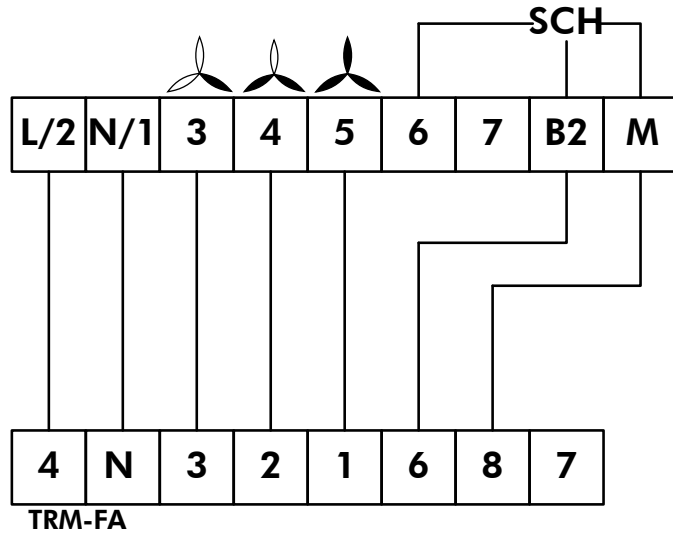


TRM-VP



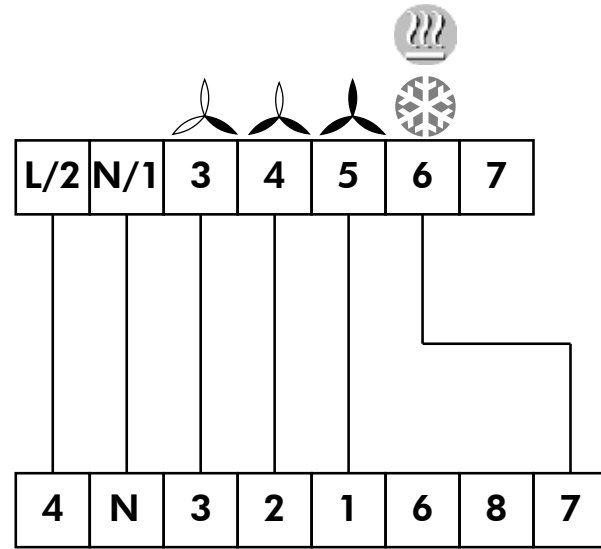
TRM-FA

 (  +  ) + SCH



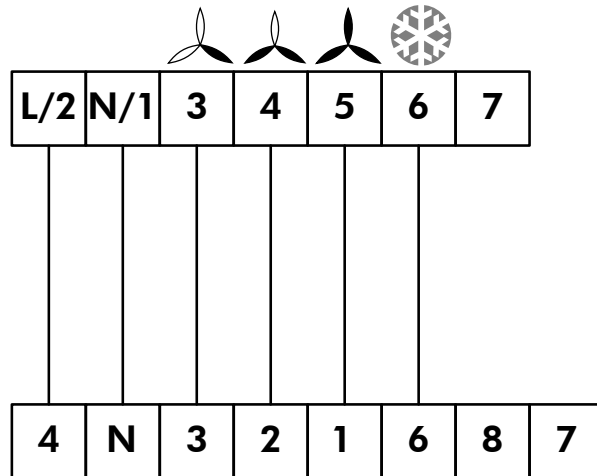
TRM-FA

 (  +  )

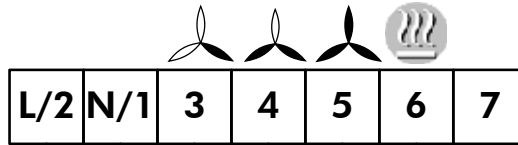


TRM-FA

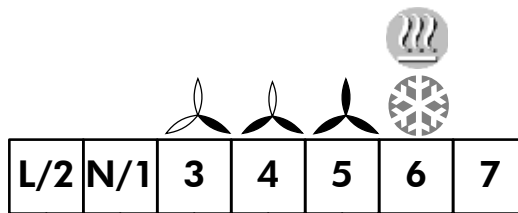
 (  )



TRM-FA



TRM-FA



TRM-FA



# CE Compliance declaration

Under our own responsibility, we declare that the product designated in this manual comply with the provisions of the EEC directives listed hereafter and with the national legislation into which these directives have been transposed.

## Déclaration CE de conformité

Nous déclarons sous notre responsabilité que les produits désignés dans la présente notice sont conformes aux dispositions des directives CEE énoncées ci-après et aux législations nationales les transposant.

## EG-Konformitätserklärung

Wir erklären in eigener Verantwortung, das die in der vorliegenden Beschreibung angegebenen Produkte den Bestimmungen der nachstehend erwähnten EG-Richtlinien und den nationalen Gesetzesvorschriften entsprechen, in denen diese Richtlinien umgesetzt sind.

## Dichiarazione CE di conformità

Dichiariamo, assumendone la responsabilità, che i prodotti descritti nel presente manuale sono conformi alle disposizioni delle direttive CEE di cui sott e alle legislazioni nazionali che li recepiscono

## Declaración CE de conformidad

Declaramos, bajo nuestra responsabilidad, que los productos designados en este manual son conformes a las disposiciones de las directivas CEE enunciadas a continuación, así como a las legislaciones nacionales que las contemplan.

XLM OG 18 - XLM OG 18 IR  
REF : 7 OG 06

LOW VOLTAGE DIRECTIVE (DBT) 2006 / 95 EEC  
ELECTROMAGNETIC COMPATIBILITY DIRECTIVE 89 / 336 / EEC AMENDED BY DIRECTIVE 92 / 31 EEC AND 93 / 68 / EEC  
PRESSURISE EQUIPMENT DIRECTIVE (DESP) 97 / 23 / EEC  
SUB-MODULE A CATEGORY I

DIRECTIVE BASSE TENSION (DBT) 2006 / 95 C.E.E.  
DIRECTIVE COMPATIBILITE ELECTROMAGNETIQUE 89 / 336 / C.E.E. AMENDEE PAR DIRECTIVE 92 / 31 CEE ET 93 / 68 / CEE  
DIRECTIVE DES EQUIPEMENTS SOUS PRESSION (DESP) 97 / 23 C.E.E.  
SOUS-MODULE A CATEGORIE I

RICHTLINIE NIEDERSPANNUNG (DBT) 2006 / 95 EG  
RICHTLINIE ELEKTROMAGNETISCHE VERTRÄGLICHKEIT 89 / 336 / EG ABGEÄNDERT DURCH DIE RICHTLINIE 92 / 31 / EG UND 93 / 68 / EG  
RICHTLINIE FÜR AUSTRÜSTUNGEN UNTER DRUCK (DESP) 97 / 23 / EG  
UNTER MODUL A, KATEGORIE I

DIRETTIVA BASSA TENSIONE (DBT) 2006 / 95 CEE  
DIRETTIVA COMPATIBILITA ELETTROMAGNETICA 89 / 336 / CEE EMENDATA DALLA DIRETTIVA 92 / 31 CEE E 93 / 68 / CEE  
DIRETTIVA DEGLI IMPIANTI SOTTO PRESSIONE (DESP) 97 / 23 / CEE  
SOTTOMODULO A, CATEGORIA I


DIRETTIVA BAJA TENSION (DBT) 2006 / 95 CEE  
DIRECTIVA COMPATIBILIDAD ELECTROMAGNETICA 89 / 336 / CEE ENMENDADA POR LA DIRECTIVA 92 / 31 CEE Y 93 / 68 / CEE  
DIRECTIVA DE LOS EQUIPOS A PRESION (DESP) 97 / 23 / CEE  
BAJA MODULO A, CATEGORIA I

And that the following paragraphs of the harmonised standards have been applied.  
Et que les paragraphes suivants les normes harmonisées ont été appliqués.  
Und dass die folgenden Paragraphen der vereinheitlichten Normen Angewandt wurden.  
E che sono stati applicati i seguenti paragrafi delle norme armonizzate.  
Y que se han aplicado los siguientes apartados de las normas armonizadas.

EN 60 335-1  
EN 55 014-2

EN 60-335-2-40  
EN 61 000-3-2

EN 55 014-1  
EN 61 000-3-3

  
A Tillières Sur Avre  
27570 - FRANCE  
Le: 04/04/2007  
Franck Bailly  
Quality Manager  
ACE Industrie

**A.C.E Marketing**

1 bis, Avenue du 8 Mai 1945

Saint-Quentin-en-Yvelines

78284 GUYANCOURT Cedex - FRANCE

Tél. : +33-1 39 44 78 00

Fax : +33-1 39 44 11 55

[www.airwell.com](http://www.airwell.com)**ACE Klimatechnik GmbH**

Berner Straße 43

60437 FRANKFURT/MAIN - GERMANY

Tel. : +49-69 507 02-0

Fax : +49-69 507 02-250

[www.airwell.de](http://www.airwell.de)**Itelco-Clima Srl**

Via XXV Aprile, 29

20030 BARLASSINA (MI) - ITALY

Tel. : +39 0362 6801

Fax : +39 0362 680281

[www.itelco-clima.com](http://www.itelco-clima.com)**Iber elco s.a.**

Ciències, 71-81,

Módulo 5, Polígono Pedrosa

08908 L'HOSPITALET DE LLOBREGAT

BARCELONA - ESPAÑA

Tel. : +34 (93) 264 66 00

Fax : +34 (93) 335 95 38

[www.iberelco.es](http://www.iberelco.es)

As part of our ongoing product improvement programme, our products are subject to change without prior notice. Non contractual photos.

Dans un souci d'amélioration constante, nos produits peuvent être modifiés sans préavis. Photos non contractuelles.

In dem Bemühen um ständige Verbesserung können unsere Erzeugnisse ohne vorherige Ankündigung geändert werden. Fotos nicht vertraglich bindend.

A causa della politica di continua miglioria posta in atto dal costruttore, questi prodotti sono soggetti a modifiche senza alcun obbligo di preavviso. Le foto pubblicate non danno luogo ad alcun vincolo contrattuale.

Con objeto de mejorar constantemente, nuestros productos pueden ser modificados sin previo aviso. Fotos no contractuales.

**ACE**

ACE - 1 bis, av. du 8 mai 1945 - Saint-Quentin-en-Yvelines

F - 78284 Guyancourt Cedex

Fax : +33 (0) 1 39 44 11 55 - Tel. : +33 (0) 1 39 44 78 00

[www.airwell.com](http://www.airwell.com)