

FUJII ELECTRIC

SPLIT TYPE ROOM AIR CONDITIONER **CEILING** type (50Hz)

SERVICE MANUAL

Models	Indoor unit	Outdoor unit
	RYT-36	ROCW-367
	RYT-36R	ROC-367R
	RYT-45	ROCW-457
	RYT-45R	ROC-457R

CONTENTS

SPECIFICATIONS	1
OUTLINE AND DIMENSIONS	2
REFRIGERANT SYSTEM DIAGRAM	3
CIRCUIT DIAGRAM	5
P. C. BOARD LAYOUTS	9
REMOTE CONTROL UNIT CODE SWITCHING	12
DISASSEMBLY ILLUSTRATION	13
PARTS LIST	27

S P E C I F I C A T I O N S

TYPE		COOL	COOL & HEAT	COOL	COOLING & HEATING
INDOOR UNIT		RYT-36	RYT-36H	RYT-45	RYT-45R
OUTDOOR UNIT		RCOM-36T	ROC-36TR	RCOM-45T	RUC-45TR
COOLING CAPACITY	(kW)	10.3 - 10.5	10.3 - 10.5	12.4 - 12.7	12.4 - 12.7
HEATING CAPACITY	(kW)	—	10.5 - 10.7	—	13.4 - 13.7

ELECTRICAL SPECIFICATIONS

POWER SUPPLY	(V)	380 - 415				
FREQUENCY	(Hz)	50				
RUNNING CURRENT	(A)	COOLING	6.4 - 6.4	6.6 - 6.6	7.5 - 7.5	7.5 - 7.5
		HEATING	—	6.1 - 5.8	—	7.4 - 7.4
INPUT	(kW)	COOLING	3.75 - 3.80	3.88 - 3.95	4.45 - 4.57	4.45 - 4.57
		HEATING	—	3.18 - 3.25	—	4.23 - 4.35
EER	(kW/kW)	COOLING	2.76 - 2.76	2.65 - 2.66	2.79 - 2.78	2.79 - 2.78
		HEATING	—	3.30 - 3.23	—	3.17 - 3.15
MOISTURE REMOVAL	(l/hr)	4.0			5.5	
AIR CIRCULATION(HI)	(m ³ /hr)	1,900			2,100	

COMPRESSOR

TYPE	Hermetic type, Permanent split capacitor, 2 pole, 3-phase, Induction motor				
CODE	CRLO 0350-TFD		CRPO 0450-TFD		
REFRIGERANT	R-22 (g)	2,150	2,800	3,150	3,400

FAN MOTOR

POWER SUPPLY	(V)	220 - 240			
INDOOR UNIT	TYPE	MFA-4502M		MFA-4502M	
	HI-SPEED (r.p.m.)	1,300		1,100	
	MED-SPEED (r.p.m.)	900		1,000	
	LO-SPEED (r.p.m.)	750		850	
OUTDOOR UNIT	TYPE	MFB-362F	MFB-362F	MFB-362F	MFB-362F
	HI-SPEED (r.p.m.)	790		790	
	LO-SPEED (r.p.m.)	510		510	

DIMENSIONS

INDOOR UNIT	(HEIGHT) 240mm × (WIDTH) 1,660mm × (DEPTH) 700mm
OUTDOOR UNIT	(HEIGHT) 1,152mm × (WIDTH) 940mm × (DEPTH) 370mm

WEIGHT

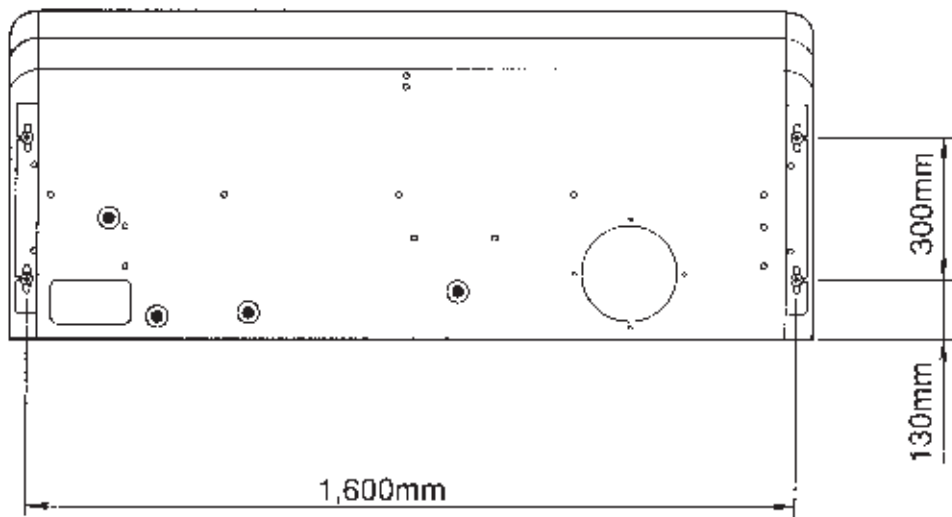
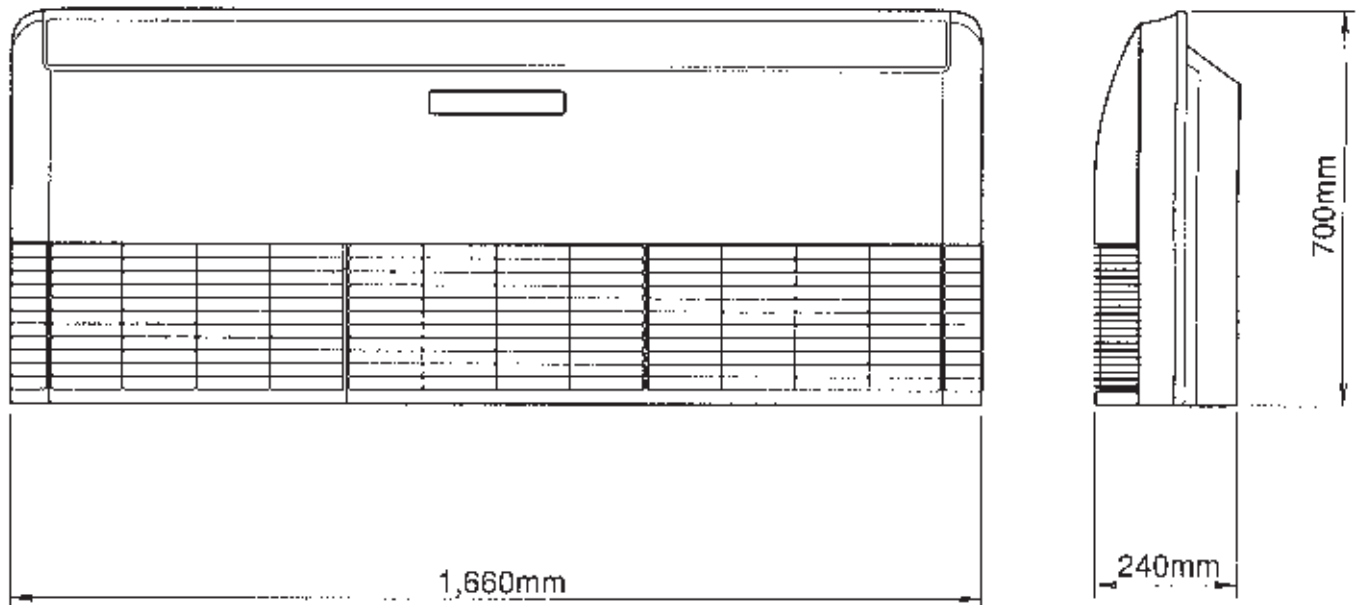
INDOOR UNIT	GROSS / NET (kg)	61 / 48		61 / 48	
OUTDOOR UNIT	GROSS / NET (kg)	110 / 96	110 / 96	116 / 102	122 / 108

REFRIGERANT CHARGING

PIPE LENGTH	5 m(16 ft)	10 m(33 ft)	20 m(66 ft)	30 m(99 ft)	40 m(132 ft)	50 m(164 ft)
FULL CHARGE AMOUNT	RYT-36	2,150g(75.8 oz.)	2,285g(80.6 oz.)	2,555g(90.1 oz.)	2,825g(99.6 oz.)	3,095g(109.2oz.) / 3,365g(118.7oz.)
	RYT-36R		2,800g(98.8 oz.)		3,200g(112.9oz.)	3,600g(127.0oz.) / 4,000g(141.1oz.)
	RYT-45		3,150g(111.1 oz.)		3,550g(125.2oz.)	3,950g(139.3oz.) / 4,350g(153.4oz.)
	RYT-45R		3,400g(119.9 oz.)		3,800g(134.0oz.)	4,200g(148.2oz.) / 4,600g(162.3oz.)

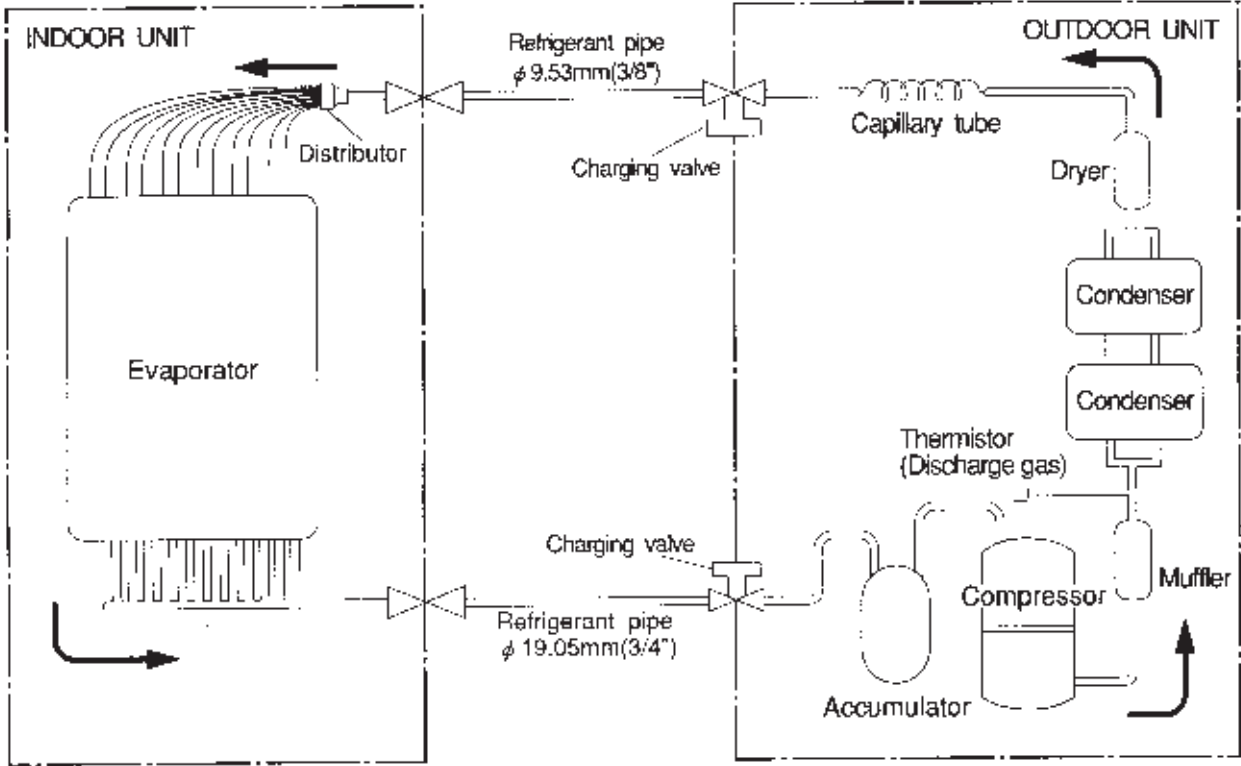
Note : • Between 5 m and 50 m, when using a connection pipe other than that in the table, charge additional refrigerant with 27 g(0.95 oz) or 3/1 m(3.3 ft) for RYT-36 Model, 40 g(1.41 oz) or 3/1 m(3.3 ft) for RYT-36R, 45, 45R Models as the criteria.
 • The above list shows values at the external static pressure of 13 mm A.c. (198 Pa.)

OUTLINE AND DIMENSIONS

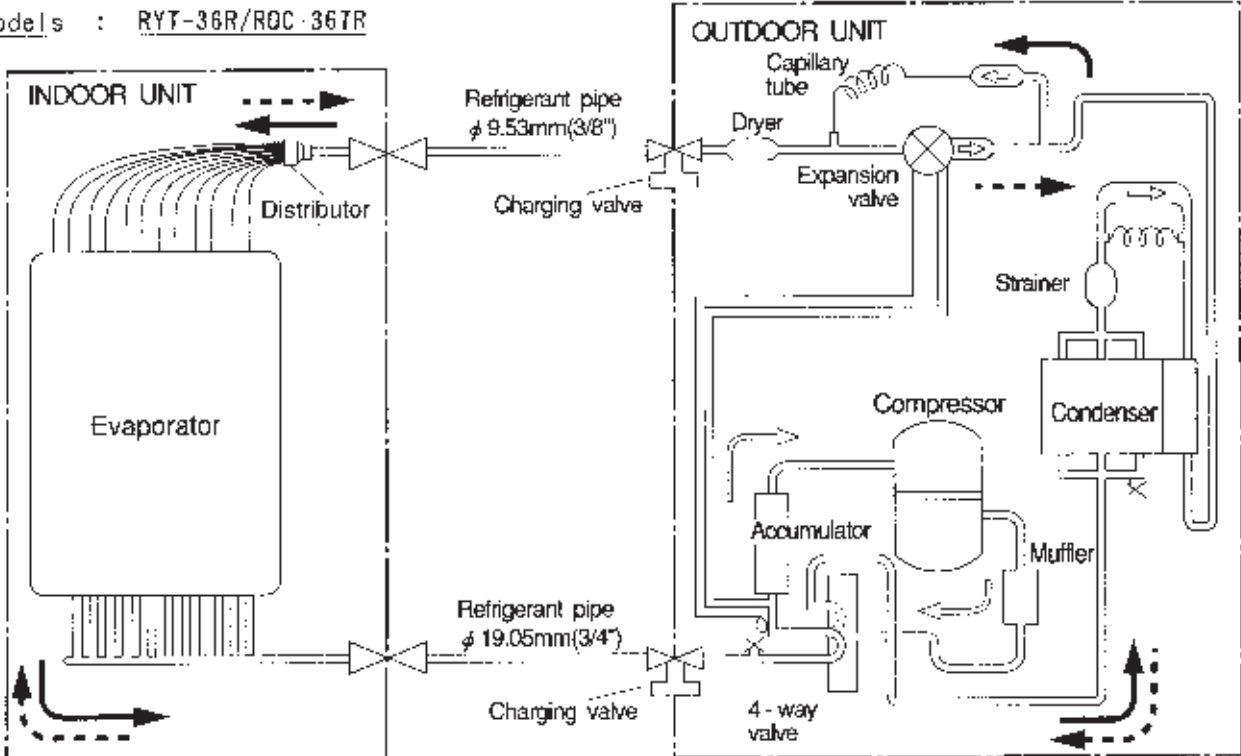





REFRIGERANT SYSTEM DIAGRAM

Models : RYT 36/ROCW-367

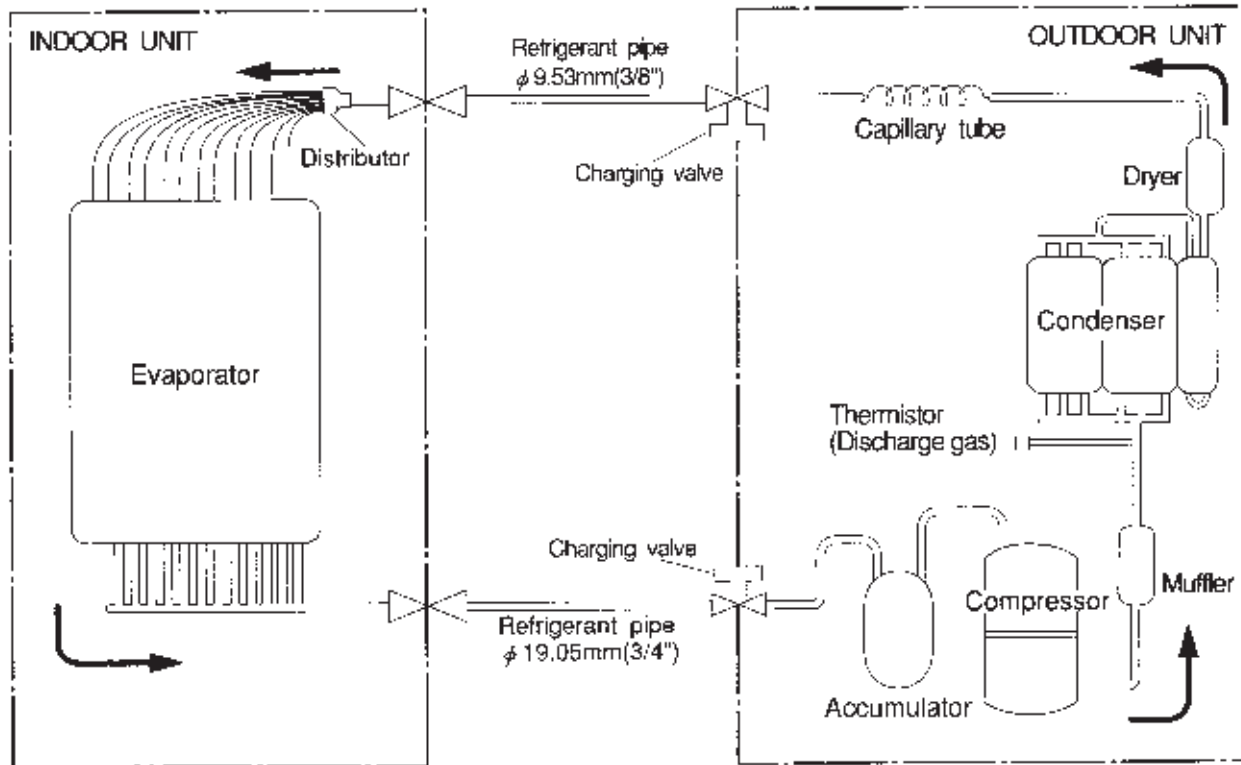


Models : RYT-36R/RQC-367R

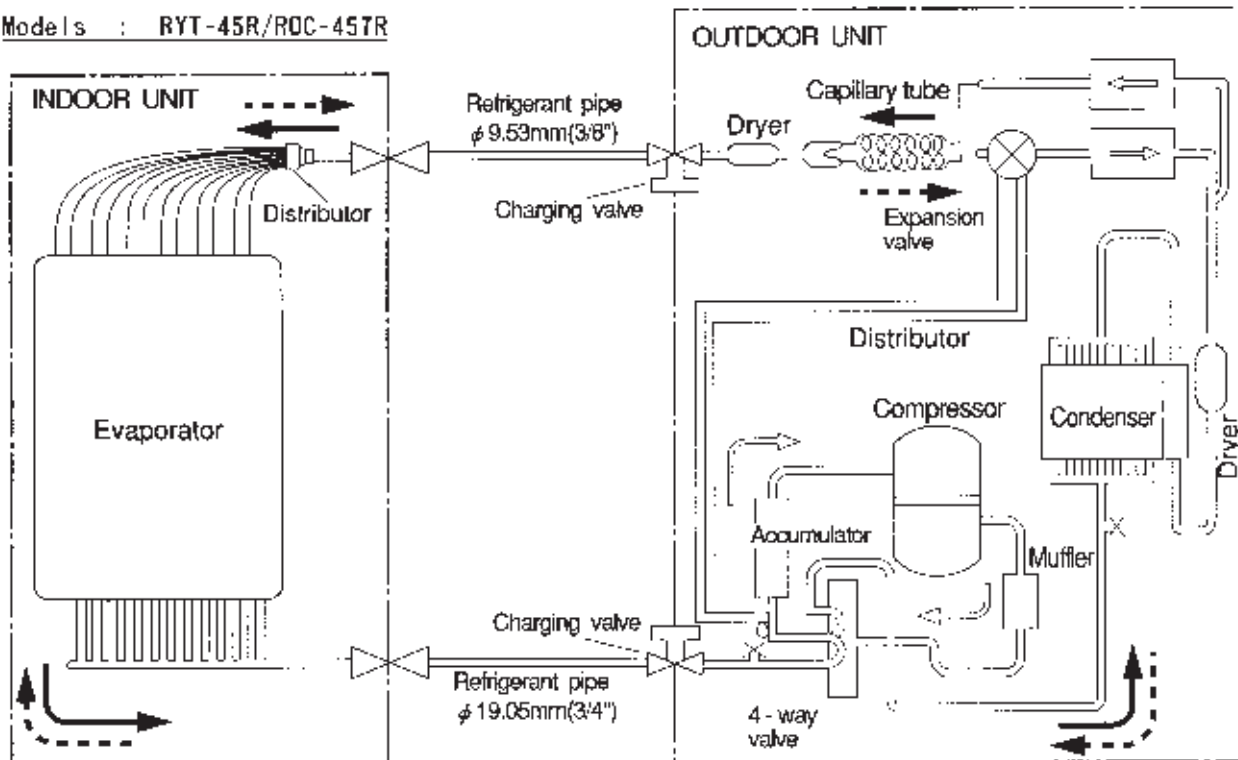


-  : Flare coupling
-  : Cooling
-  : Heating

Models : RYT-45/RDCW-45T



Models : RYT-45R/RDC-45TR



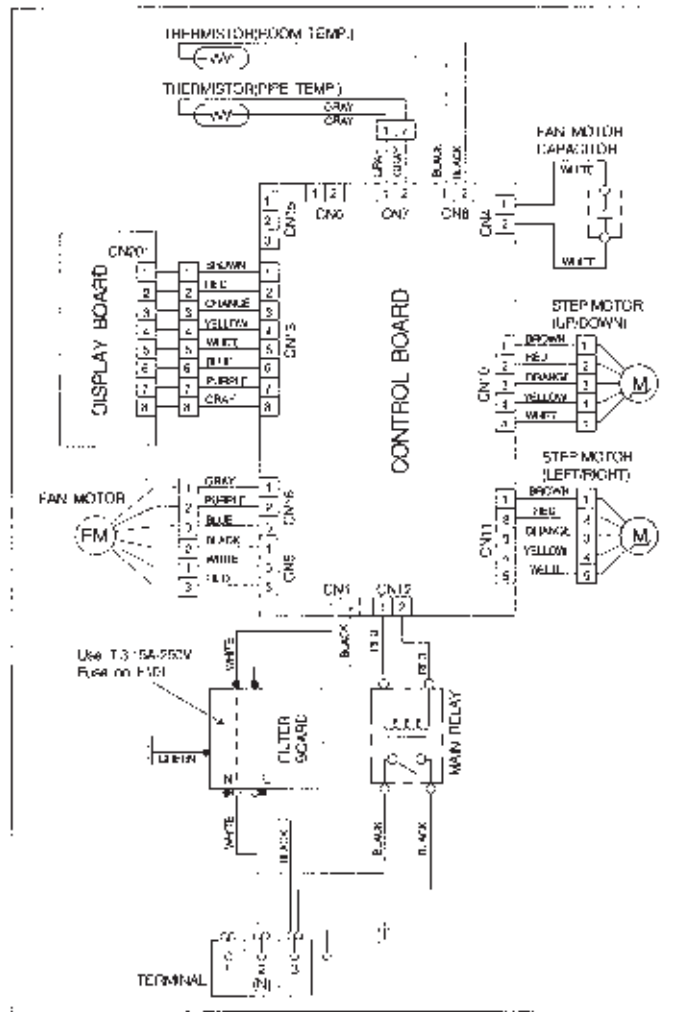
⊗ : Flare coupling

→ Cooling
 - - - - - Heating

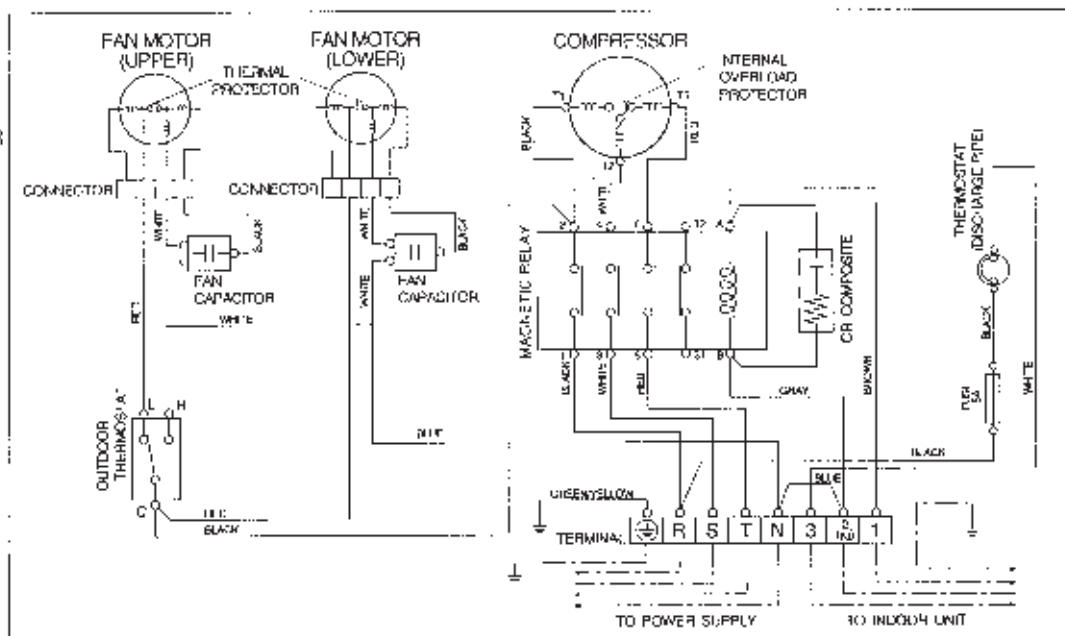
C I R C U I T D I A G R A M

Models : RYT-36/ROCW-367
RYT-45/ROCW-457

INDOOR UNIT

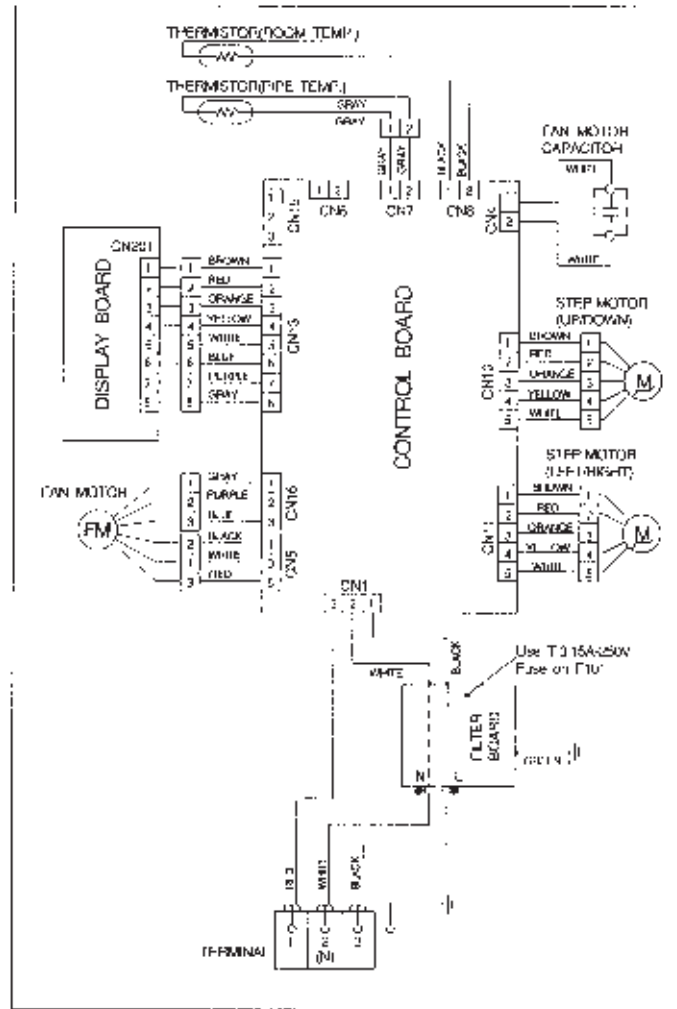


OUTDOOR UNIT

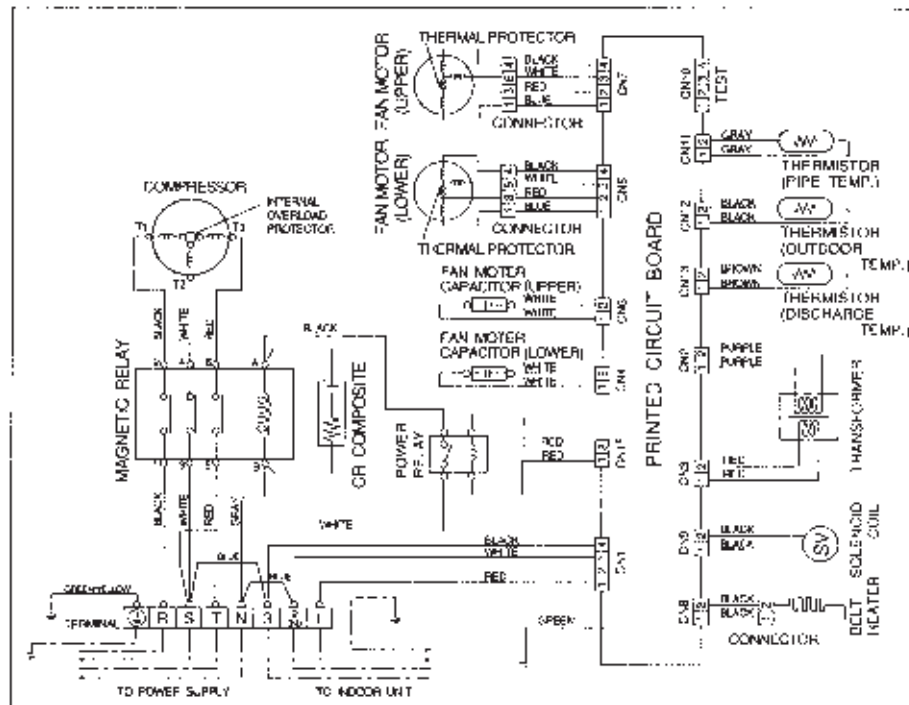


Models : RYT 36R/ROC 367R
 RYT 45R/ROC 457R

INDOOR UNIT



OUTDOOR UNIT



INDCO9 PRINTED CIRCUIT BOARD

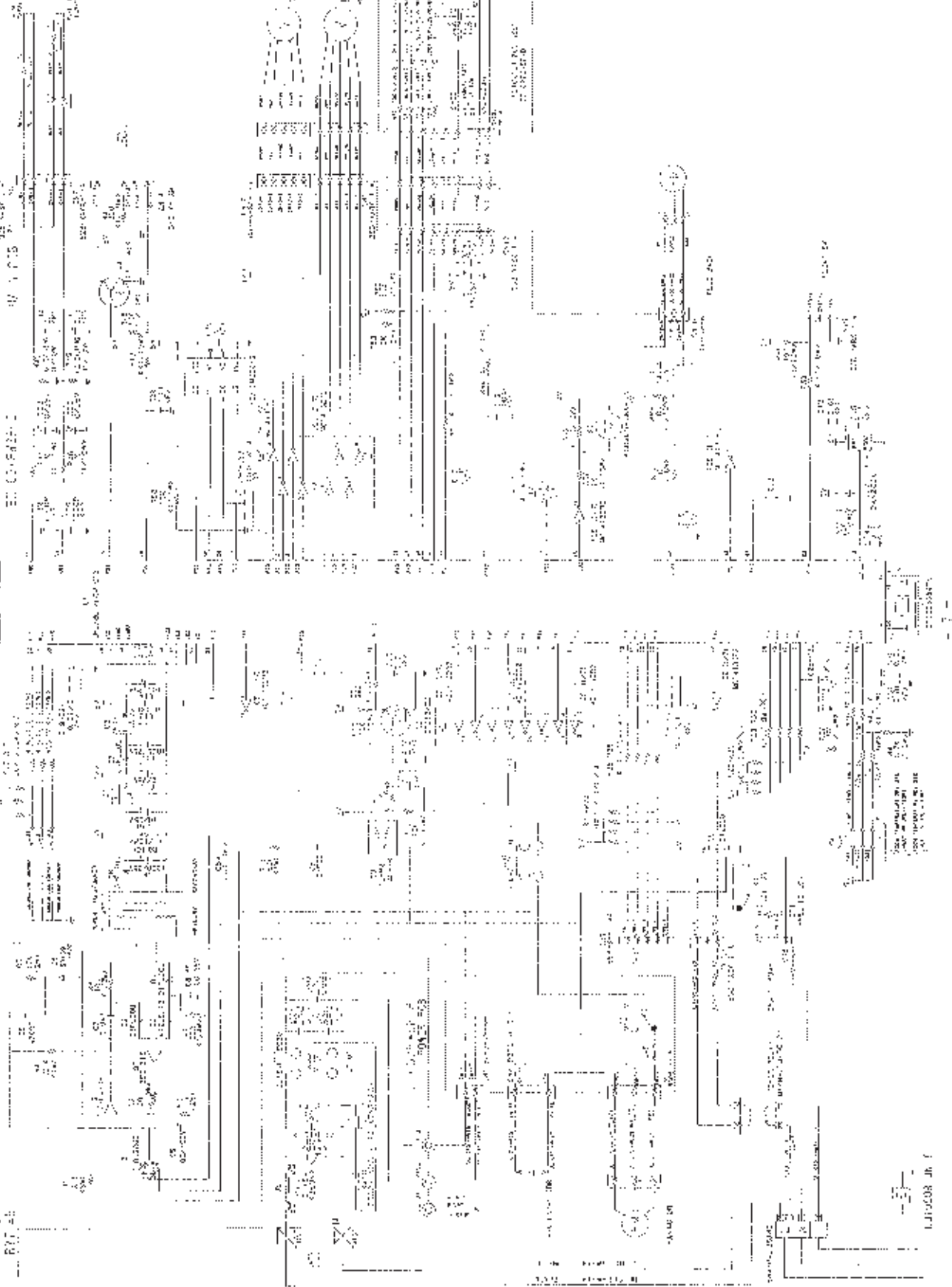
REVISED BY RPT: JBT

CONTRACTOR'S ASSEMBLY

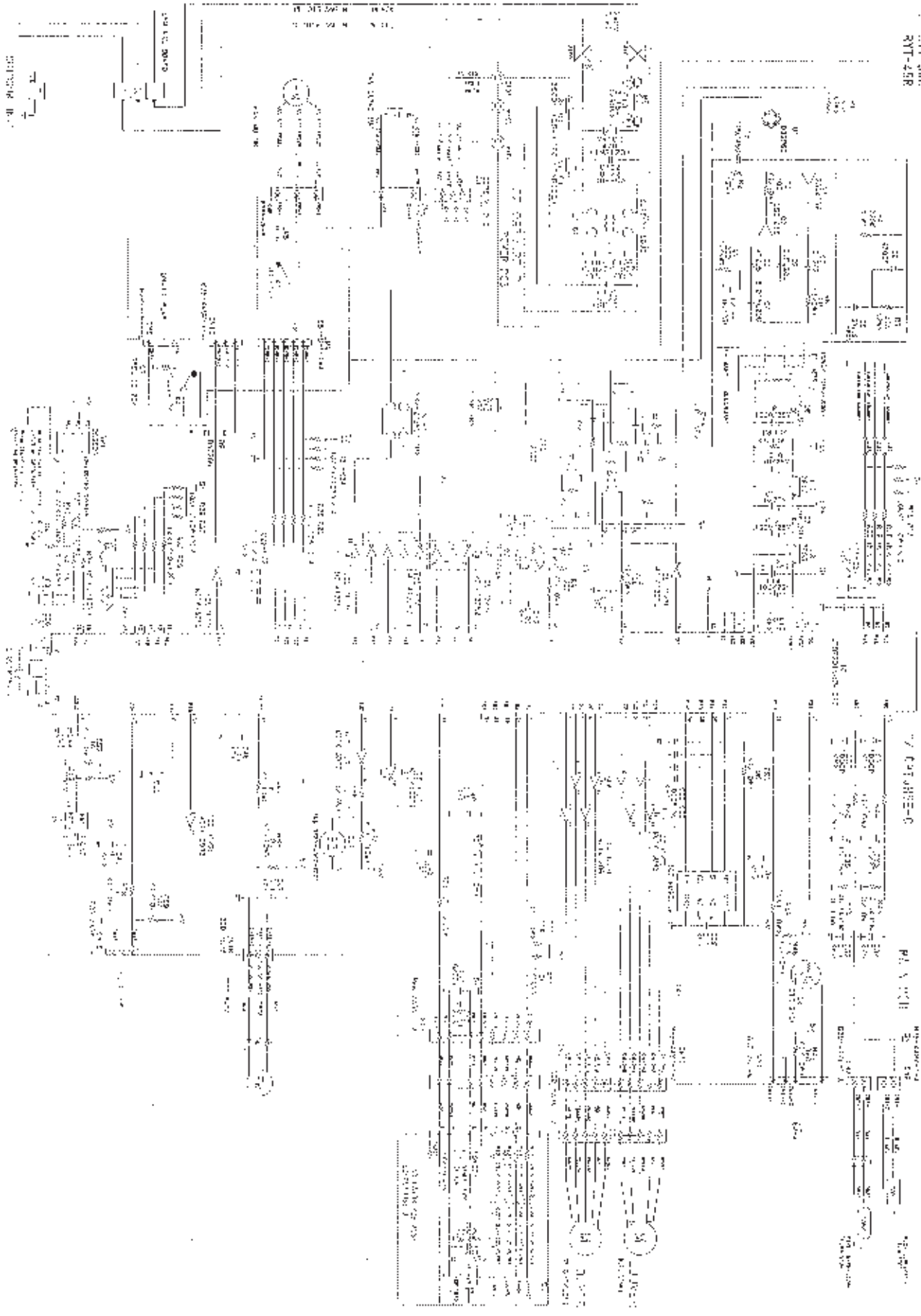
INDCO9-1

REV. 1.0

200 100 50 0



INDCO9-1



P. C. BOARD LAYOUTS

Models : RYT-36, RYT-36R
RYT-45, RYT-45R

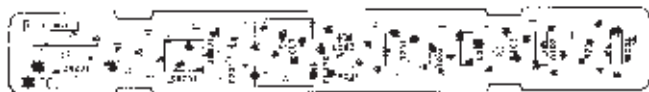
CONTROLLER P.C. BOARD ASSEMBLY

(Viewed from the solder side)



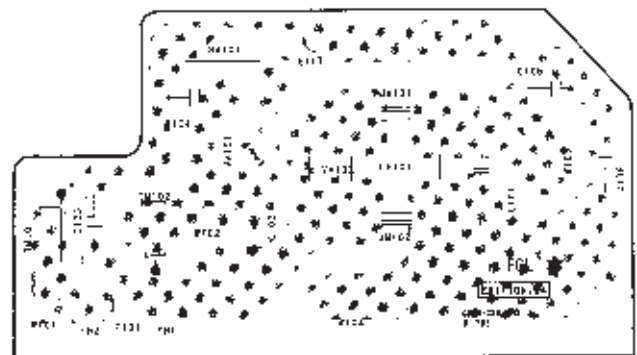
INDICATOR P.C. BOARD ASSEMBLY

(Viewed from the solder side)



FILTER P.C. BOARD ASSEMBLY

(Viewed from the solder side)

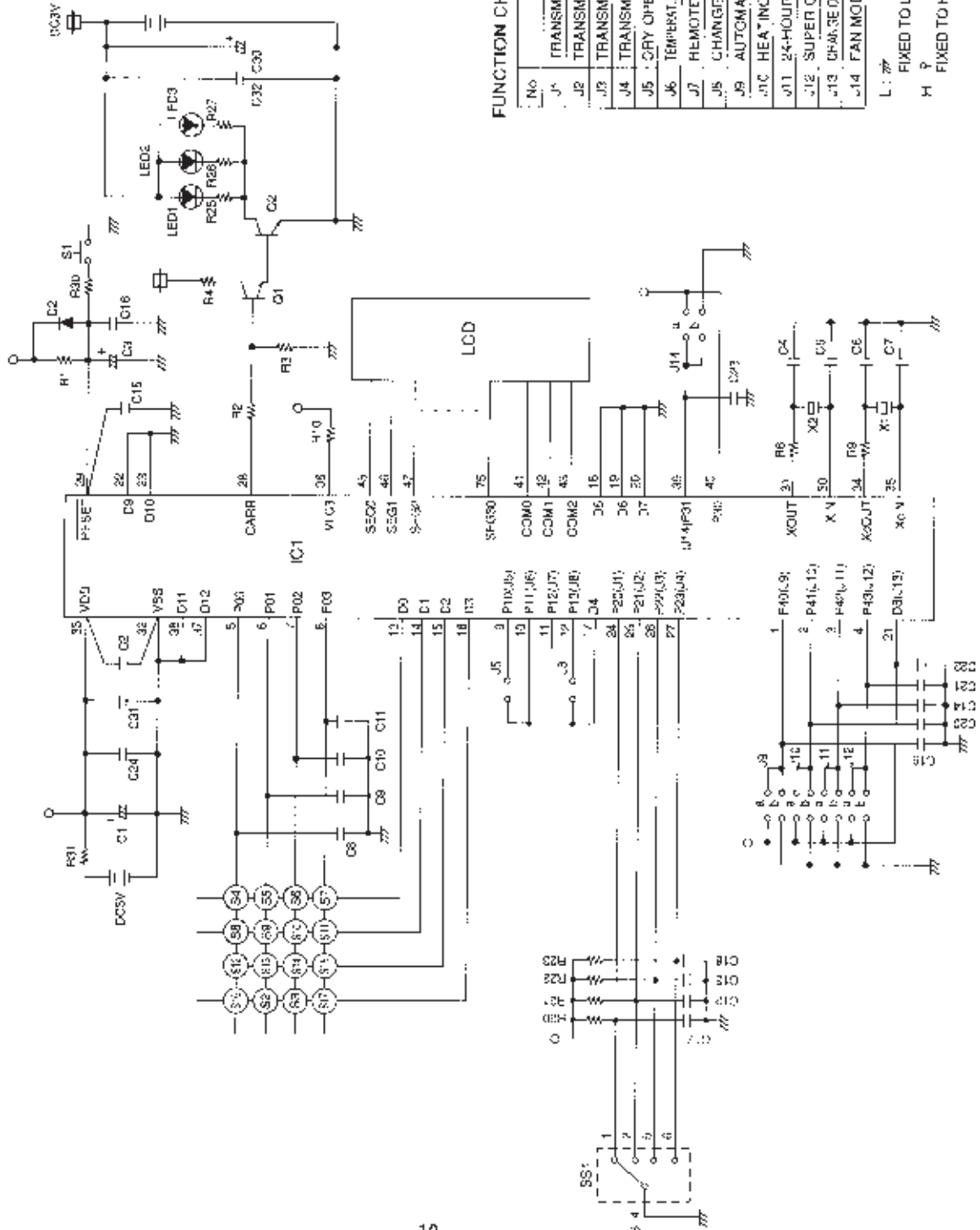


REMOTE CONTROL UNIT CIRCUIT DIAGRAM

Models : RYT-36
RYT-45

KEY NO. : KEY FUNCTION
CORRESPONDENCE TABLE

No.	KEY FUNCTION
S1	ACL
S2	TIMER ADJUST
S3	TEST RUN
S4	START/STOP
S5	MASTER CONTROL
S6	SET TEMP. (SET TIME(1))
S7	SET TEMP. (SET TIME(2))
S8	FAN CONTROL
S9	
S10	
S11	UP AND DOWN SWING
S12	UP AND DOWN WIND
S13	ENERGY SAVE
S14	RIGHT AND LEFT SWING
S15	TIMER SET FACTOR
S16	SLEEP
S17	RIGHT AND LEFT WIND



FUNCTION CHANGE BY THE JUMPER WIRE

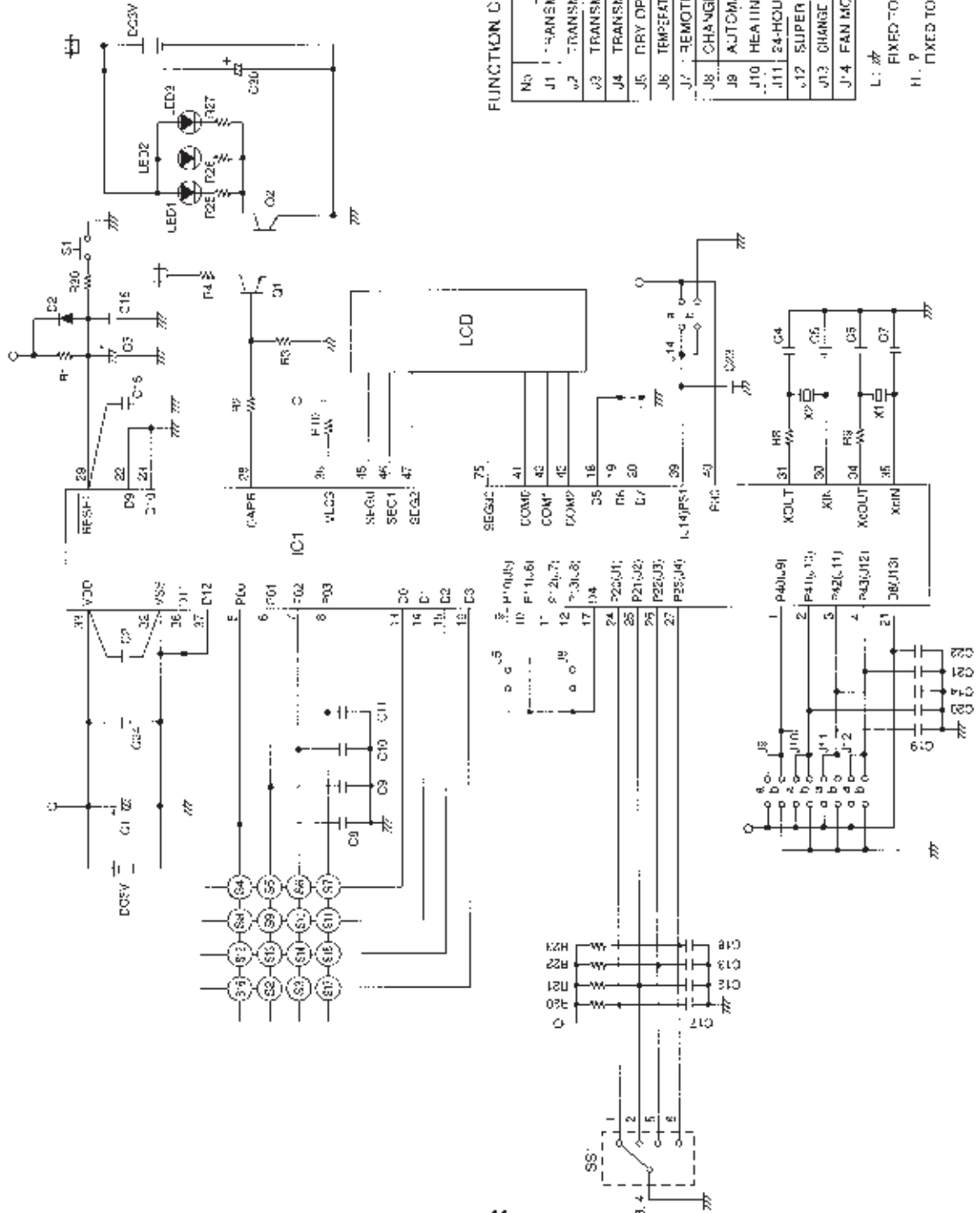
No.	FUNCTION
J1	TRANSMITTING CODE CHANGE
J2	TRANSMITTING CODE CHANGE
J3	TRANSMITTING CODE CHANGE
J4	TRANSMITTING CODE CHANGE
J5	DRY OPERATION
J6	TEMPERATURE DISPLAY OF AUTOMATIC OPERATION
J7	REMOTE CONTROL SELECTOR
J8	CHANGE OF TEMPERATURE UNIT
J9	AUTOMATIC OPERATION
J10	HEATING OPERATION
J11	24-HOUR/12-HOUR
J12	SUPER QUIET
J13	CHANGE OF AUTOMATIC OPERATION DISPLAY
J14	FAN MODE

L : $\overline{\text{---}}$ FIXED TO LOW LEVEL
H : $\overline{\text{---}}$ FIXED TO HIGH LEVEL

Models : RYT-36R
RYT-45R

KEY NO. : KEY FUNCTION
CORRESPONDENCE TABLE

NO	KEY FUNCTION
S1	ACL
S2	TIMER ADJUST
S3	TEST RUN
S4	START/STOP
S5	MASTER CONTROL
S6	SF "TEMP.H", SET TEMP.
S7	SF "TEMP.L", SET TEMP.
S8	FAN CONTROL
S9	
S10	
S11	UP AND DOWN SWING
S12	UP AND DOWN WIND
S13	ENERGY SAVE
S14	RIGHT AND LEFT SWING
S15	TIMER SET FACTOR
S16	SLEEP
S17	RIGHT AND LEFT WIND

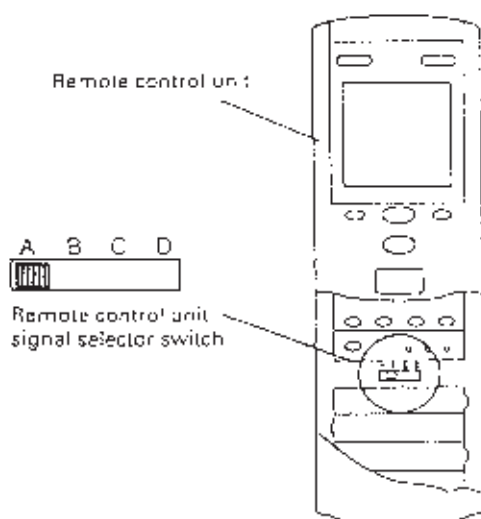
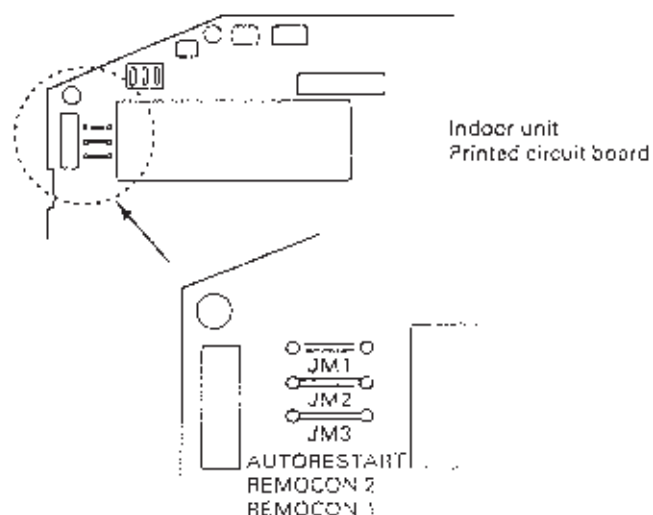


FUNCTION CHANGE BY THE JUMPER WIRE

NO	FUNCTION
J1	TRANSMITTING CODE CHANGE
J2	TRANSMITTING CODE CHANGE
J3	TRANSMITTING CODE CHANGE
J4	TRANSMITTING CODE CHANGE
J5	DRY OPERATION
J6	TEMPERATURE DISPLAY "AUTOMATIC" OPERATION
J7	REMOTE CONTROL SELECTOR
J8	CHANGE OF TEMPERATURE UNIT
J10	AUTOMATIC OPERATION
J11	HEATING OPERATION
J12	24-HOUR/12-HOUR
J13	SUPER QUIET
J14	CHANGE OF AUTOMATIC OPERATION DISPLAY
J14	FAN MODE

L: ♂
FIXED TO LOW LEVEL
H: ♀
FIXED TO HIGH LEVEL

REMOTE CONTROL UNIT CODE SWITCHING



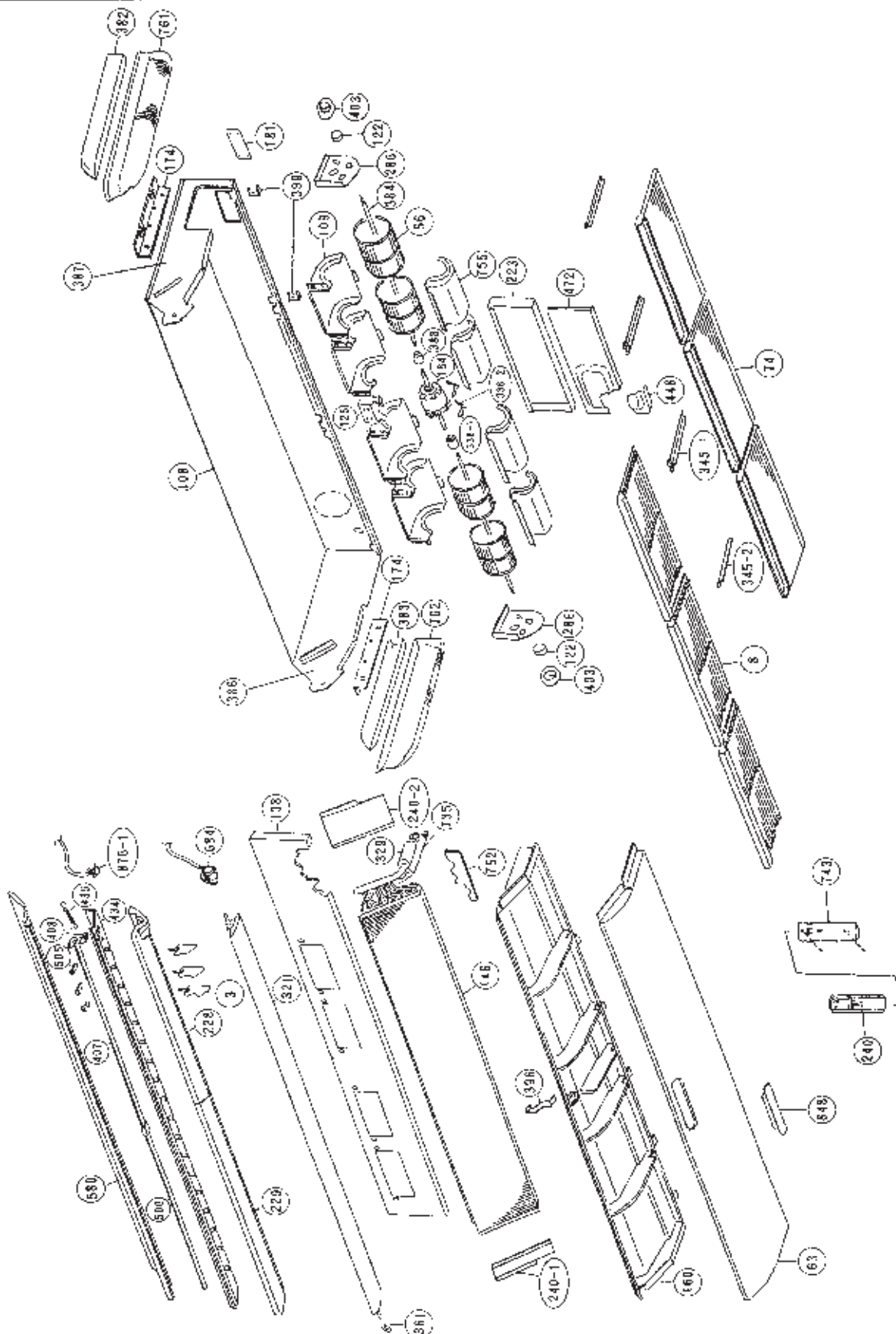
Confirm the remote control unit signal selector switch selection and printed circuit board setting.

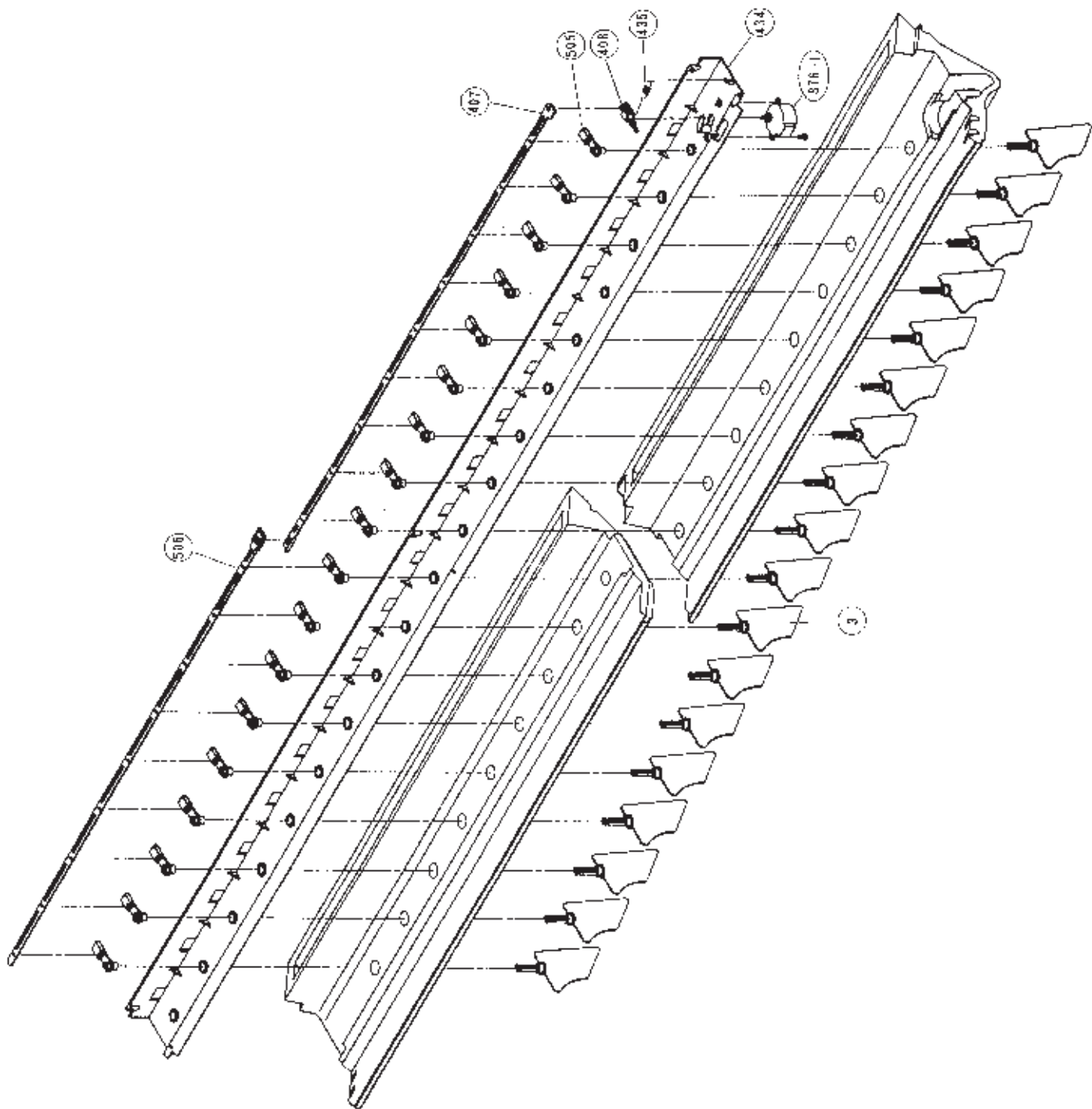
If these are not confirmed, the remote control unit cannot be operated for the air conditioner.

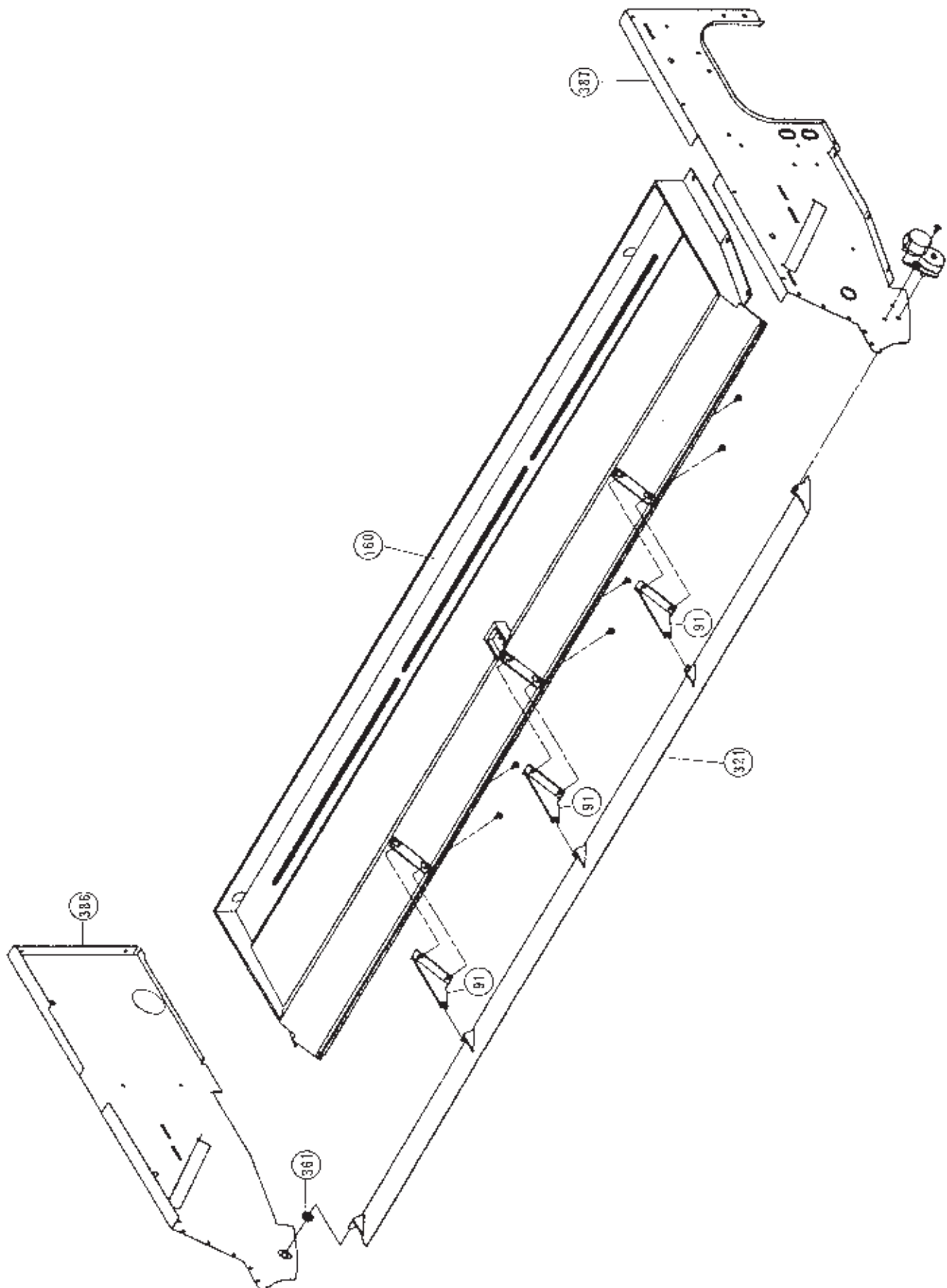
Jumper wire		Remote control unit signal selector switch
JM 2	JM 3	
Connect	Connect	A (Primary setting)
Disconnect	Connect	B
Connect	Disconnect	C
Disconnect	Disconnect	D

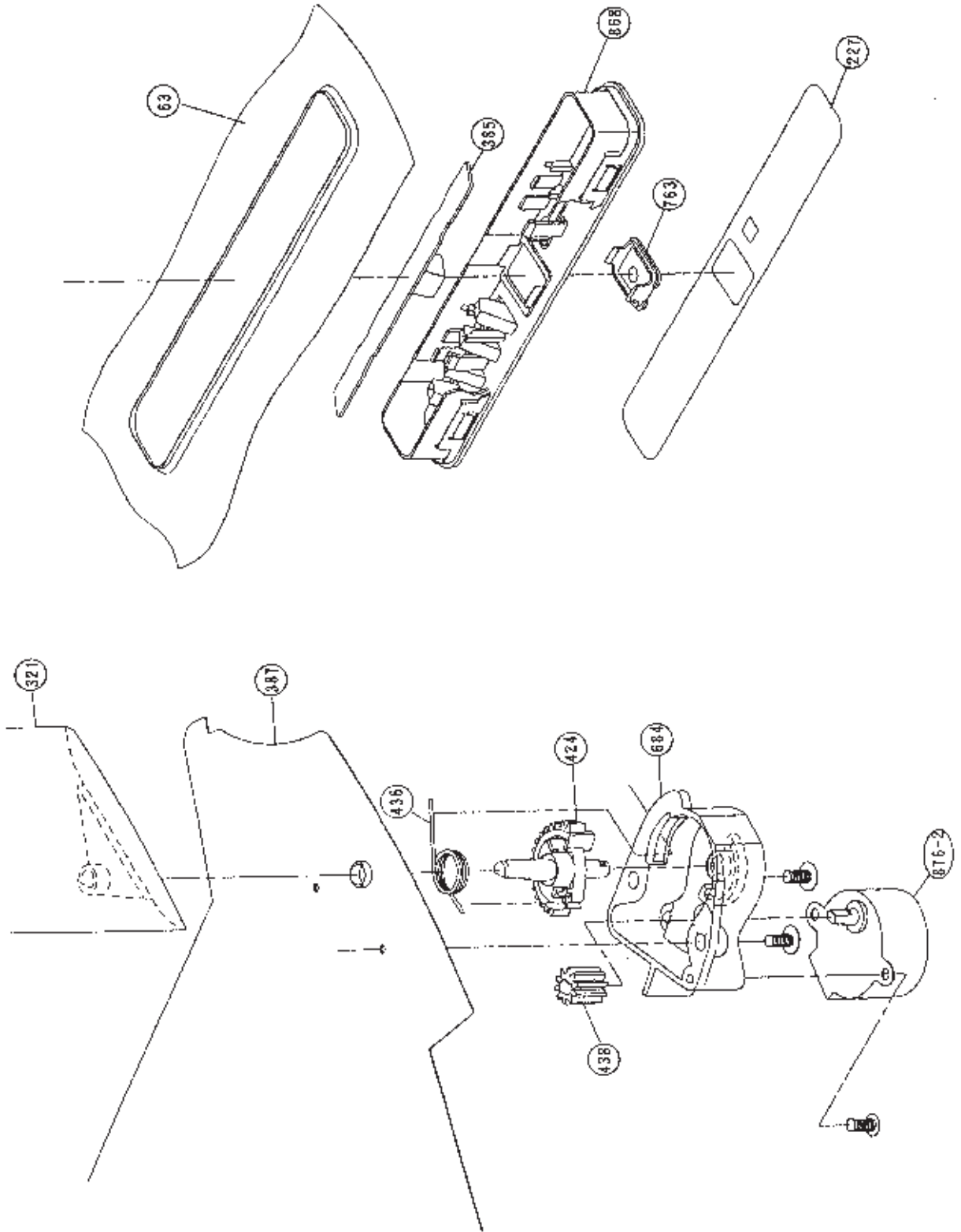
DISASSEMBLY ILLUSTRATION

Models : RYT-36, RYT-36R
 RYT-45, RYT-45R

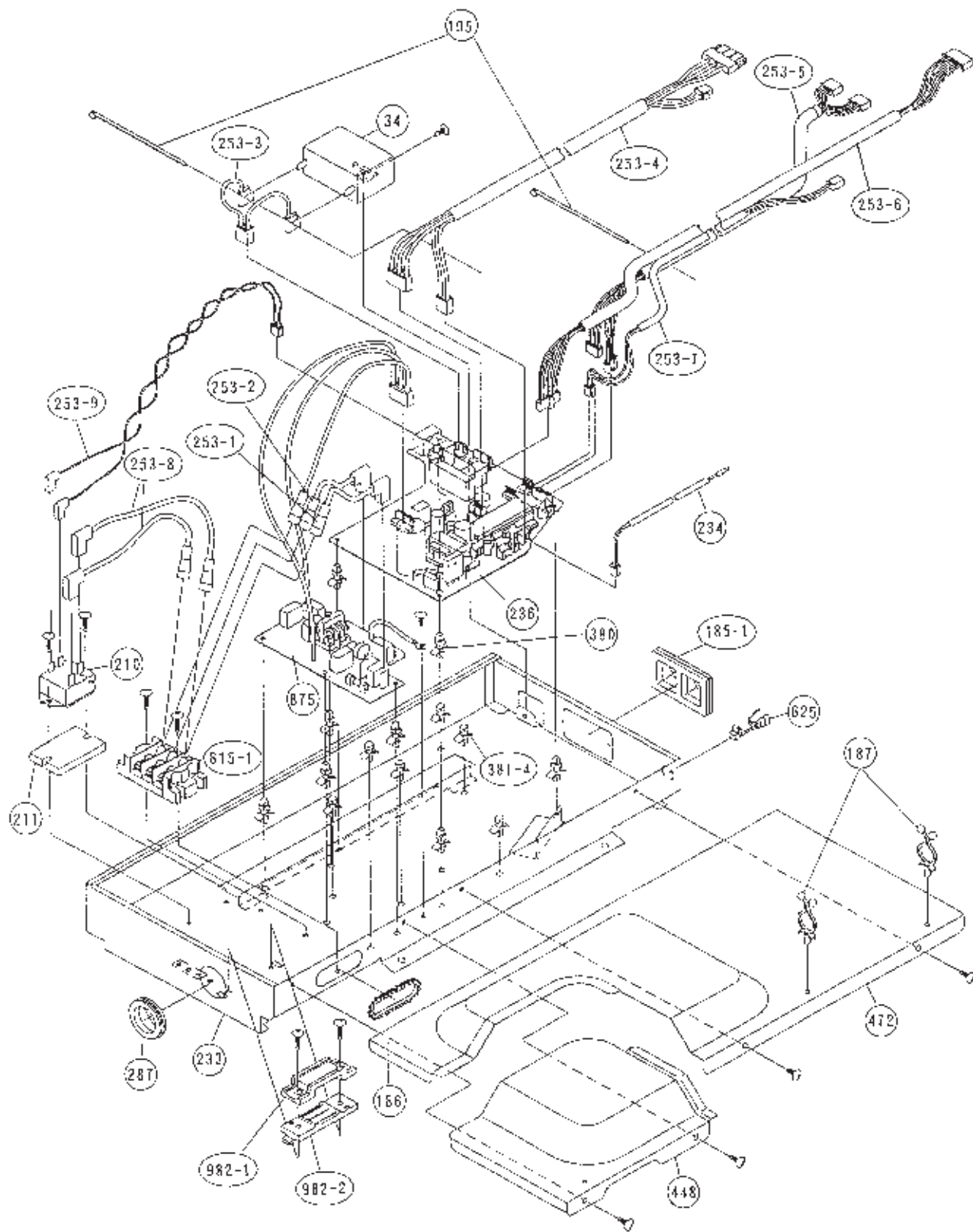




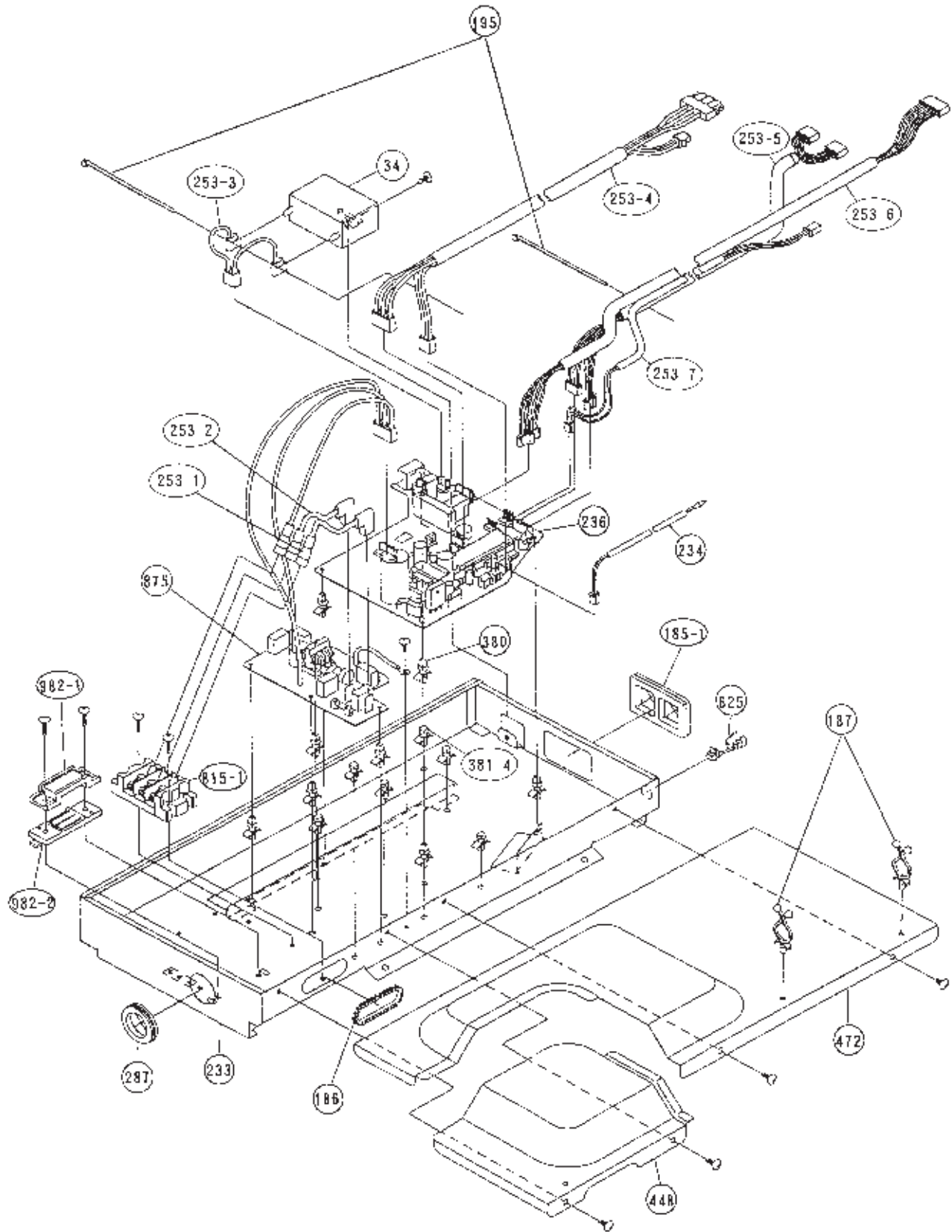


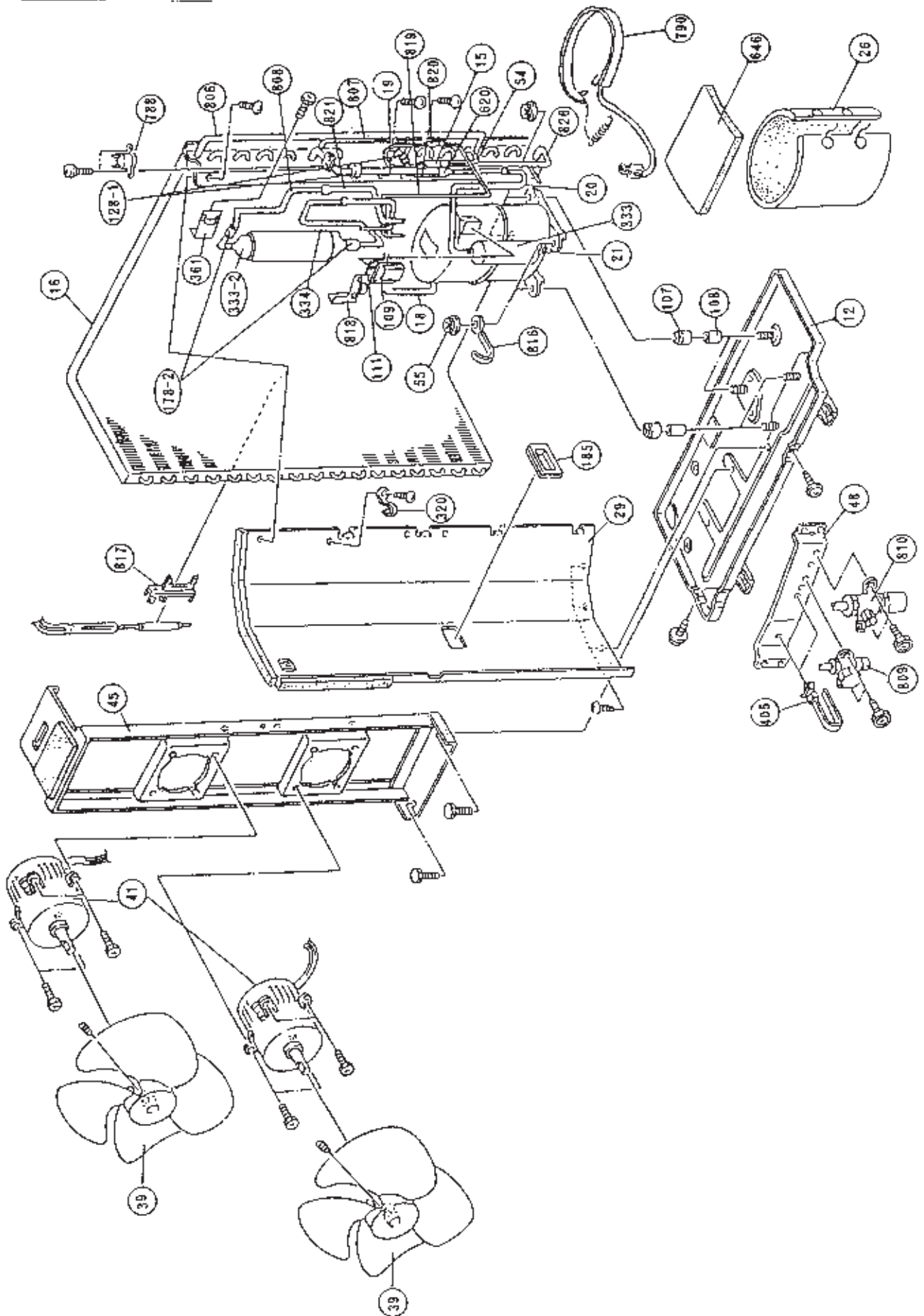


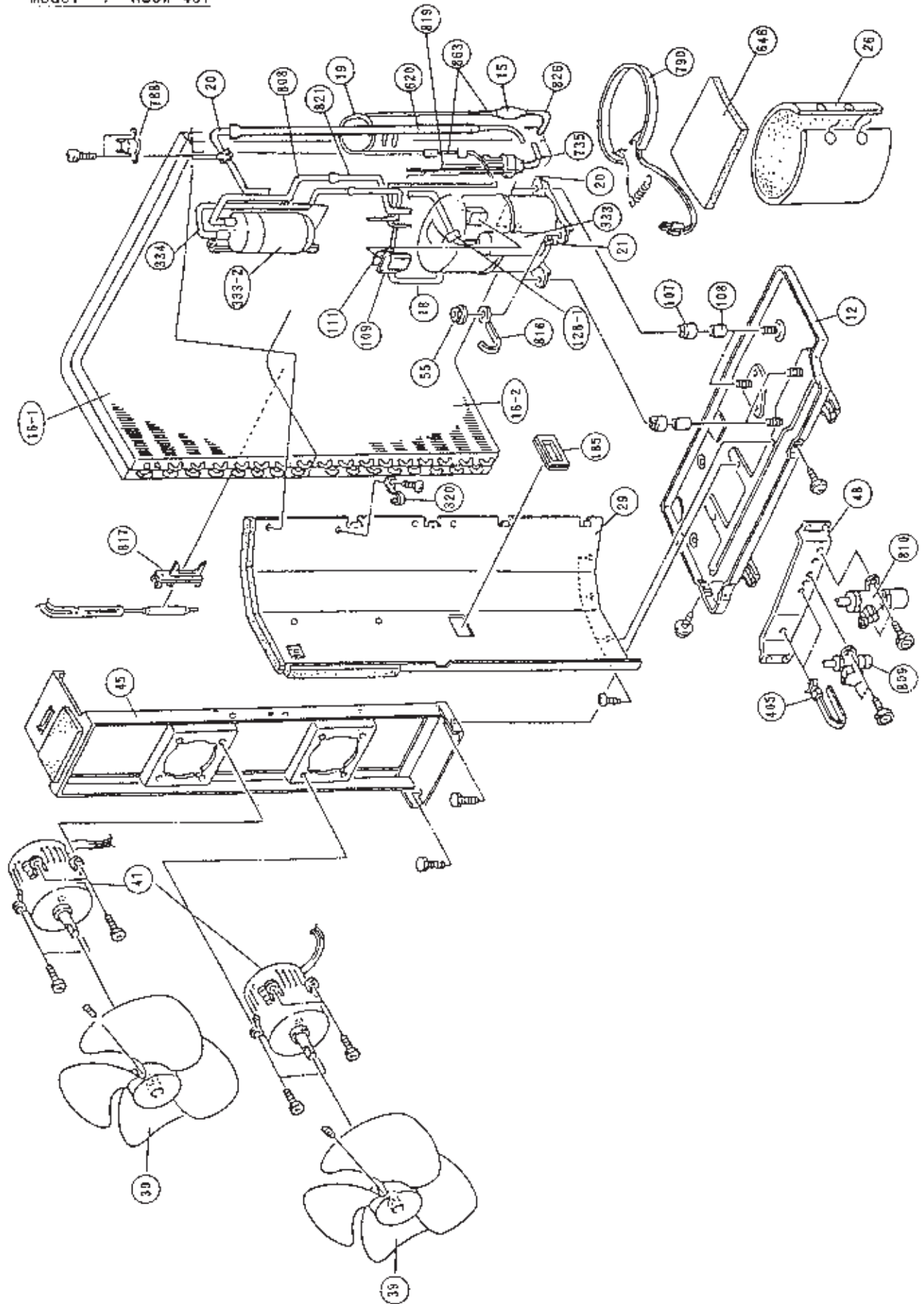
Models : RYT-36
RYT-45



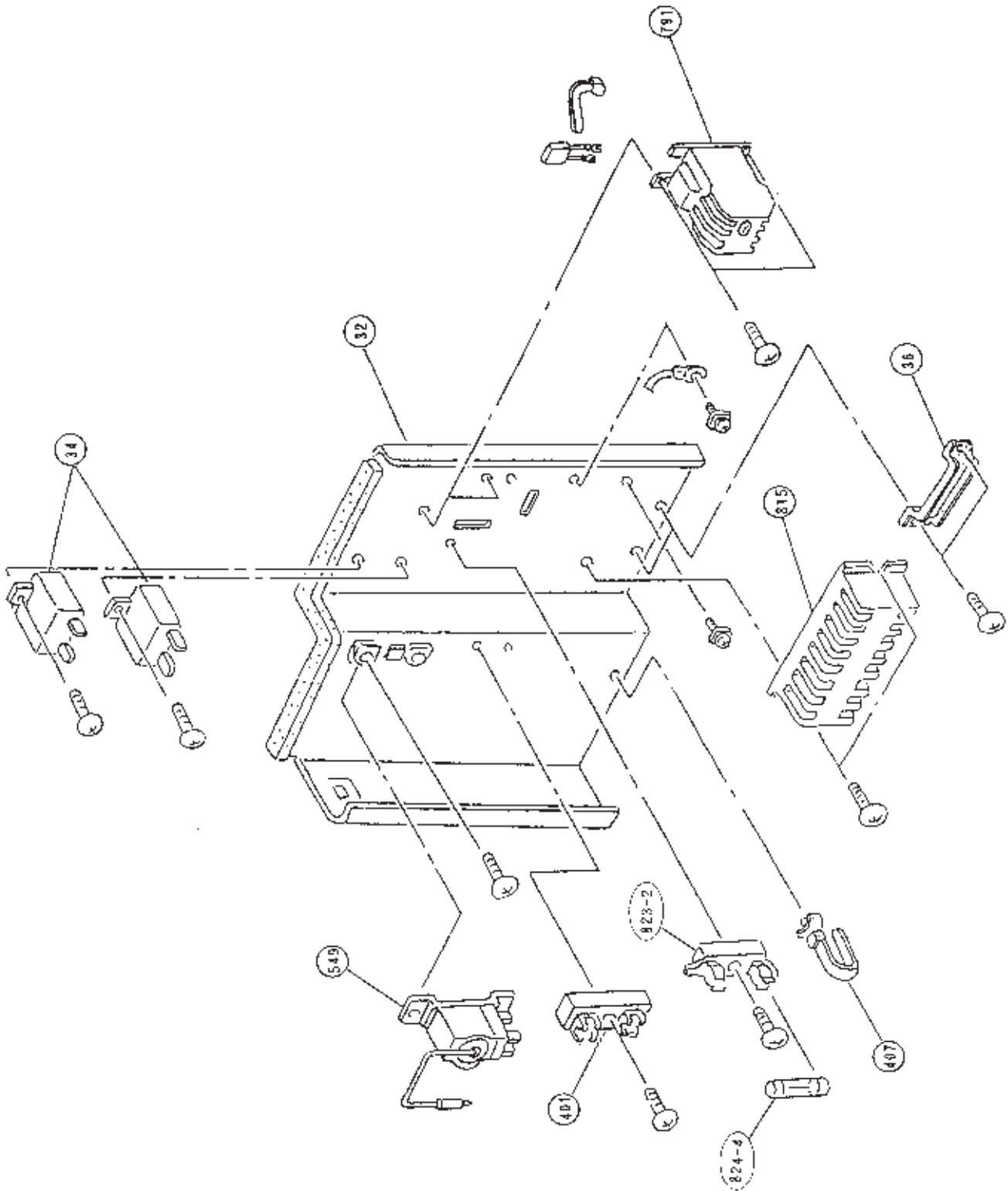
Models : RYT-36R
R YT-45R

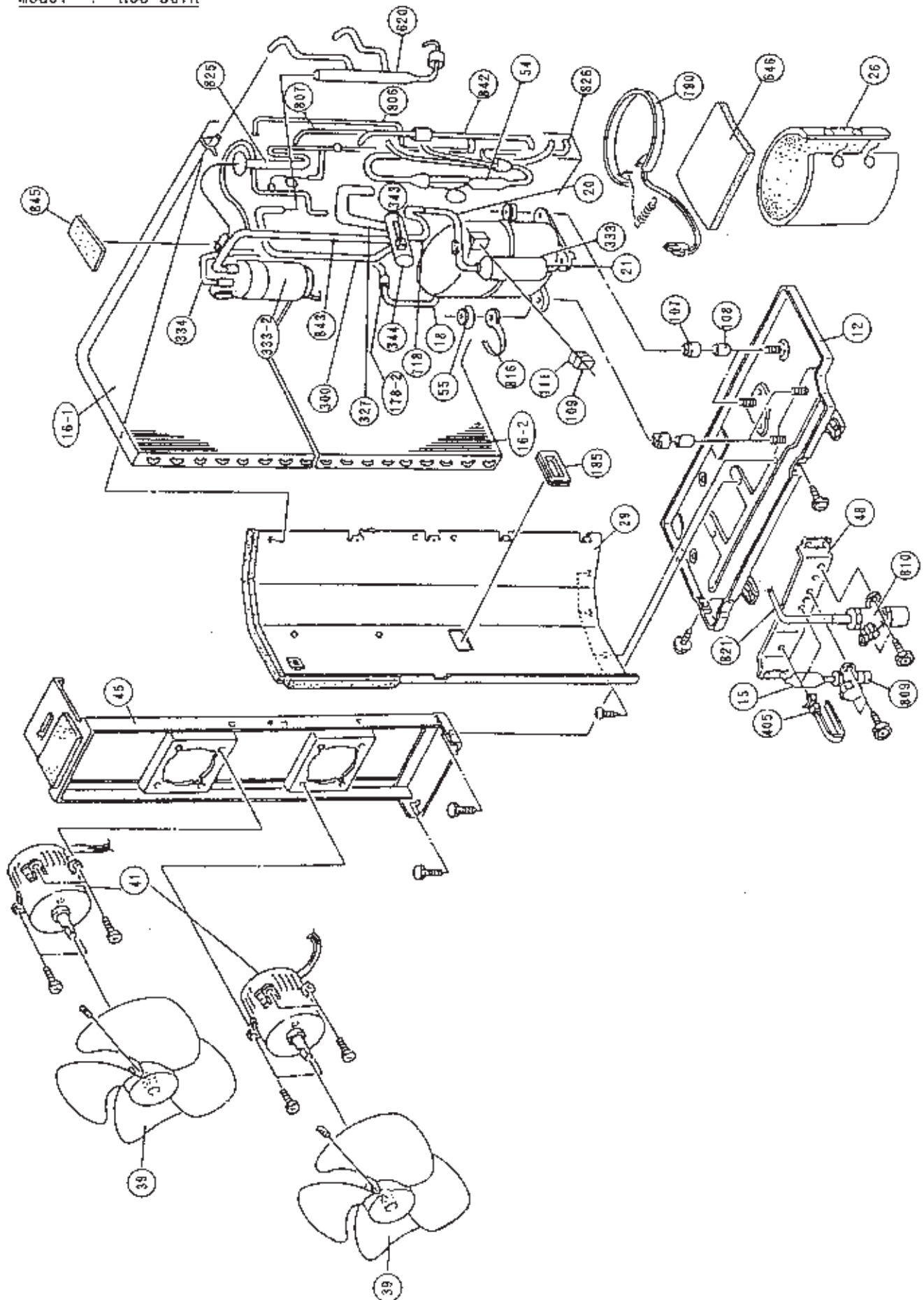


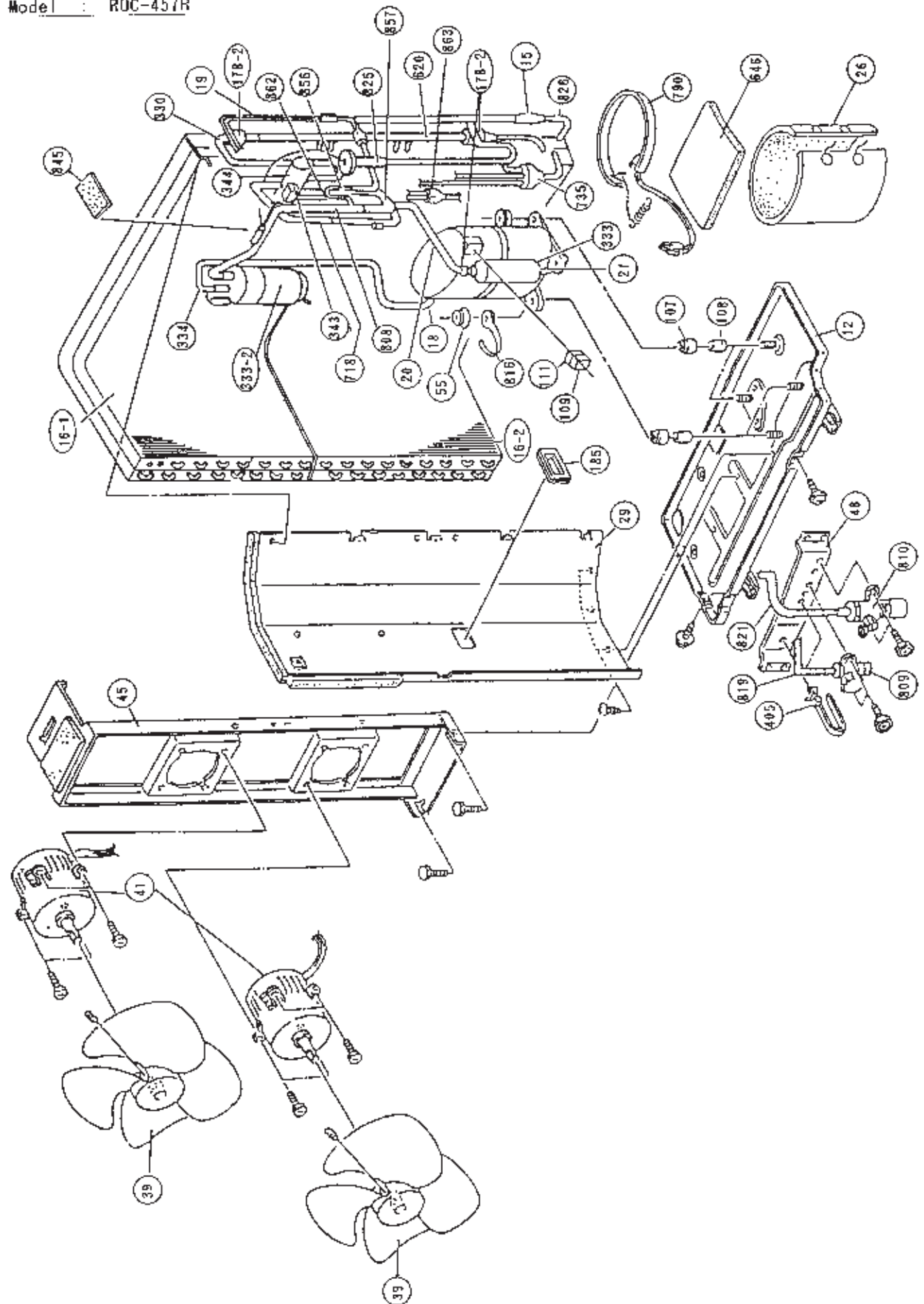




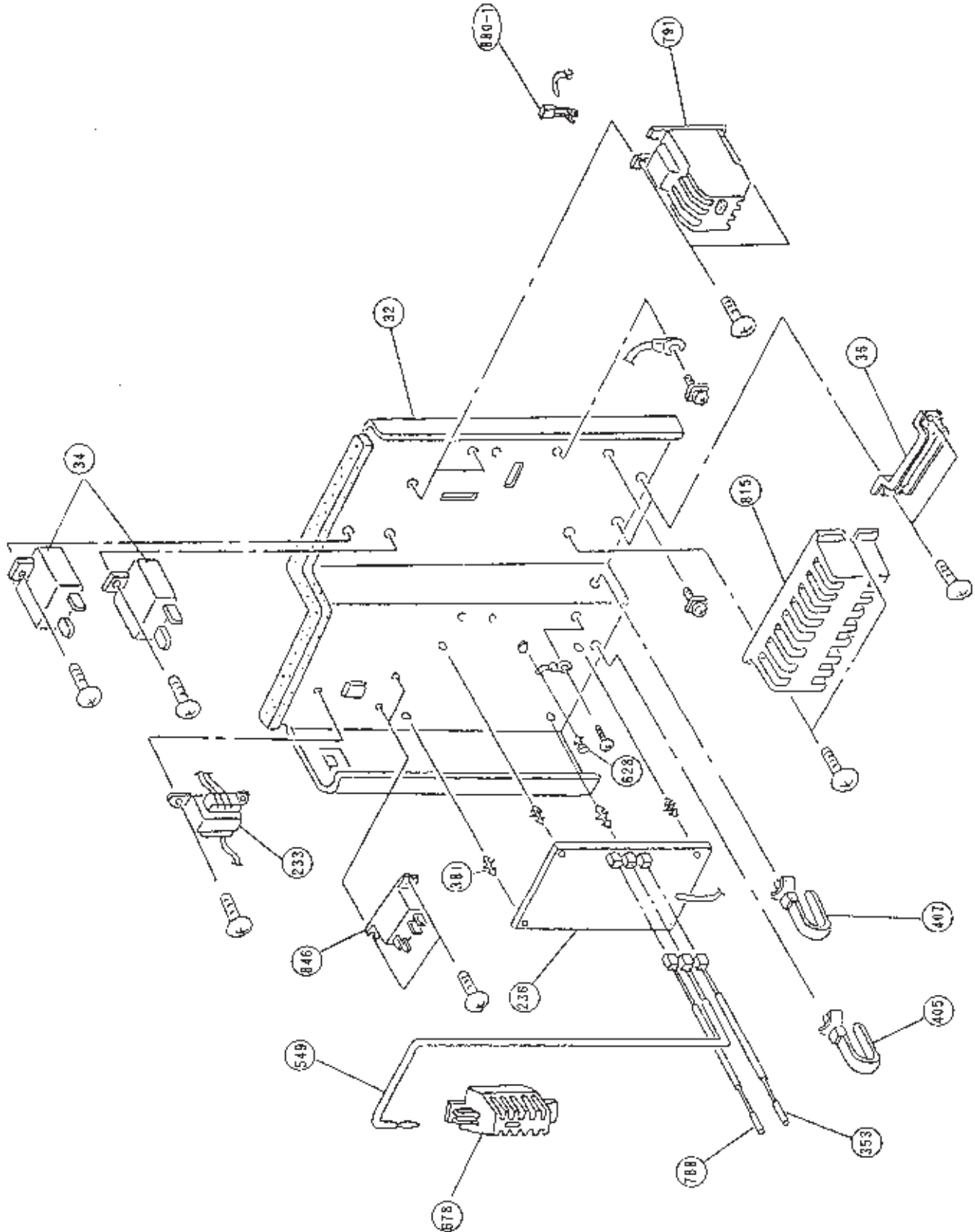
Models : ROCW 367
ROCW-457







Models : RDC-367R
RDC-457R



PARTS LIST

RYT-36R
RYT-45
RYT-45R

When you order parts, please make a photocopy of this page and fill the number of the parts in the "Order" column.

INDOOR UNIT

Ref. No.	Description	Part No.				Order Qty
		RYT-36	RYT-36R	RYT-45	RYT-45R	
3	Louver	9359719007	9359719007	9359719007	9359719007	
8	Air Filter	9359739005	9359739005	9359739005	9359739005	
34	Capacitor (Fan Motor)	9700467069	9700467069	9700467069	9700467069	
56	Sirocco Fan Assy	9359701002	9359701002	9359701002	9359701002	
63	Panel (Front)	9359734000	9359734000	9359734000	9359734000	
74	Intake Grille	9359738008	9359738008	9359738008	9359738008	
91	Hinge	9359699002	9359699002	9359699002	9359699002	
108	Base Assy	9359680000	9359680000	9359680000	9359680000	
109	Casing	9359704003	9359704003	9359704003	9359704003	
122	Bearing-B Assy	9357921006	9357921006	9357921006	9357921006	
126	Bracket (Motor)	9359681007	9359681007	9359681007	9359681007	
138	Separate Nail	9359700005	9359700005	9359700005	9359700005	
146	Evaporator Assy	9359699001	9359699001	9359699001	9359699001	
160	Drain Pan	9359699005	9359699005	9359699005	9359699005	
164	Fan Motor Assy-IN	9360457004	9360457004	9360457004	9360457004	
174	Hanger	9359742005	9359742005	9359742005	9359742005	
181	Nail Cover	9359691006	9359691006	9359691006	9359691006	
185-1	Rubber Bushing	9357376004	9357376004	9357376004	9357376004	
186	Cover (Edge)	9360537010	9360537010	9360537010	9360537010	
187	Clamp No.1219	313361271706	313361271706	313361271706	313361271706	
195	Clamp SKB-100	313061275805	313061275805	313061275805	313061275805	
210	Main Relay	9356781007	-	9356781007	-	
211	Cushion Rubber	313806328306	-	313806328306	-	
227	Badge "FUJI ELECTRIC"	9359735045	9359735045	9359735045	9359735045	
228	Insulation (Louver)-R	9359721000	9359721000	9359721000	9359721000	
229	Insulation (Louver)-L	9359722007	9359722007	9359722007	9359722007	
233	Control Box Assy	9359708001	9359708001	9359708001	9359708001	
234	Thermistor	9701946020	9701946020	9701946020	9701946020	
236	Controller PCB Assy	9701941186	9701941186	9701941186	9701941186	
240	Remote Control Unit	9359913061	9359913061	9359913061	9359913061	
240-1	Cover Panel (Pipe)-L	9359690009	9359690009	9359690009	9359690009	
240-2	Cover Panel (Pipe)-R	9359689003	9359689003	9359689003	9359689003	
253-1	Wire Assy (Connector)	9702321017	9702321017	9702321017	9702321017	
253-2	Wire Assy (Connector)	9702322014	9702322014	9702322014	9702322014	
253-3	Wire Assembly	9702311018	9702311018	9702311018	9702311018	
253-4	Wire Assy (Connector)	9702323011	9702323011	9702323011	9702323011	
253-5	Wire Assy (Connector)	9702319014	9702319014	9702319014	9702319014	
253-6	Wire Assy (Connector)	9702317010	9702317010	9702317010	9702317010	
253-7	Wire Assy (Connector)	9702318017	9702318017	9702318017	9702318017	
253-8	Wire Assy (Connector)	9702066055	-	9702066055	-	
253-9	Wire Assembly	9702309015	-	9702309015	-	
266	Bracket (Bearing)	9359686002	9359686002	9359686002	9359686002	
287	Cap (Power)	9352173011	9352173011	9352173011	9352173011	
321	Flap Assy	9359731009	9359731009	9359731009	9359731009	
329	Coupling Pipe Assy	9360456007	9360456007	9360456007	9360456007	
338-1	Fixture (Motor)	9359702009	9359702009	9359702009	9359702009	
338-2	Fixture (Motor)-B	9359703006	9359703006	9359703006	9359703006	
345-1	Filter Guide-R	9359692003	9359692003	9359692003	9359692003	
345-2	Filter Guide-L	9359693000	9359693000	9359693000	9359693000	
361	Bushing	9359733003	9359733003	9359733003	9359733003	
379	Hinge Plate (Grille)	9359694007	9359694007	9359694007	9359694007	
380	Locking Spacer KGLS-6S	313209391403	313209391403	313209391403	313209391403	
381-4	Spacer	0600118075	0600118075	0600118075	0600118075	
382	Cover (Decoration)-R	9359744009	9359744009	9359744009	9359744009	
383	Cover (Decoration)-L	9359745006	9359745006	9359745006	9359745006	
384	Shaft	9359707004	9359707004	9359707004	9359707004	
385	Indicator PCB Assy	9702260019	9702260019	9702260019	9702260019	
386	Panel Left Assy	9359685005	9359685005	9359685005	9359685005	
387	Panel Right Assy	9359683001	9359683001	9359683001	9359683001	
388	Joint Assy	9359708007	9359708007	9359708007	9359708007	
396	Rfm Bracket Metal	9359697008	9359697008	9359697008	9359697008	
403	Fixture (Bearing)	9359687009	9359687009	9359687009	9359687009	
407	Pod (Motor)	9359723004	9359723004	9359723004	9359723004	
408	Link (Louver)	9359728005	9359728005	9359728005	9359728005	
424	Sector Gear	9359729006	9359729006	9359729006	9359729006	
434	Base (Louver)	9359718000	9359718000	9359718000	9359718000	
435	Louver Spring	9359720003	9359720003	9359720003	9359720003	
436	Flap Spring	9359730002	9359730002	9359730002	9359730002	
438	Pinion Gear	9359728009	9359728009	9359728009	9359728009	
448	Control Box-B	9359713005	9359713005	9359713005	9359713005	
472	Control Box A	9359712008	9359712008	9359712008	9359712008	
505	Stopper (Louver)	9359724001	9359724001	9359724001	9359724001	
506	Rod (Louver)	9359725008	9359725008	9359725008	9359725008	
580	Cover (Top)	9359737001	9359737001	9359737001	9359737001	
625	Cord Bushing	9359240006	9359240006	9359240006	9359240006	
684	Motor Base	9359727002	9359727002	9359727002	9359727002	
735	Distributor Assy	9360455000	9360455000	9360455000	9360455000	
743	Remote Control Holder Case	9359955016	9359955016	9359955016	9359955016	
752	Bracket Panel (Pipe)	9359688006	9359688006	9359688006	9359688006	

INDOOR UNIT (Continued)

When you order parts, please make a photocopy of this page and fill the number of the parts in the "Order Qty" column.

Part No.	Description	Part No.				Order Qty
		RYT-36	RYT-36R	RYT-45	RYT-45R	
755	Cover (Casing)	9359705000	9359705000	9359705000	9359705000	
761	Cover (Side)-R	9359740001	9359740001	9359740001	9359740001	
762	Cover (Side)-L	9359741008	9359741008	9359741008	9359741008	
763	Cover (Receiver)	9359714002	9359714002	9359714002	9359714002	
815-1	Terminal-3P	9358660027	9358660027	9358660027	9358660027	
868	PCB Holder	9359736004	9359736004	9359736004	9359736004	
875	PCB Sub Assy	9702275013	9702275013	9702275013	9702275013	
876-1	Motor, Step-H	9360479013	9360479013	9360479013	9360479013	
876-2	Motor, Step-V	9360307026	9360307026	9360307026	9360307026	
982-1	Cord Clamp-A	9359820017	9359820017	9359820017	9359820017	
982-2	Cord Clamp-B	9359821014	9359821014	9359821014	9359821014	

OUTDOOR UNIT

Part No.	Description	Part No.				Order Qty
		ROC-36T	ROC-36TR	ROC-45T	ROC-45TR	
2	Fan Cover	9352159015	9352159015	9352159015	9352159015	
4	Emblem-Rear "FUJI ELECTRIC"	9301702019	9301702019	9301702019	9301702019	
5	Cabinet-A, Painted	9352146015	9352146015	9352146015	9352146015	
6	Cabinet-C, Painted	9352149016	9352149016	9352149016	9352149016	
9	Cabinet-B, Painted	9352147012	9352147012	9352147012	9352147012	
12	Base Assy, Painted	9352136016	9352136016	9352136016	9352136016	
15	Dryer	9300589031	9353789006	9353789006	9353789006	
16	Condenser Assy	9352128011	-	-	-	
16-1	Condenser A Assy	-	9353023001	9355338011	9355338011	
16-2	Condenser-B Assy	-	9353024008	9353363008	9353363008	
18	Suction Pipe	9352286001	9352286001	9353200006	9353200006	
19	Capillary Tube	9352438001	-	9353644008	9353373007	
20	Discharge Pipe	9352289005	9357362007	9353620002	9357359007	
21	Discharge Pipe-B	9352289002	9352289002	9353209009	935209009	
26	Compressor Cover A	9352416002	9352416002	9353367006	9353367006	
29	Separate Wall	9355277013	9355277013	9355277013	9355277013	
30	Blower Cover, Painted	9352151019	9352151019	9352151019	9352151019	
32	Control Box Metal	9352134012	9352134012	9352134012	9352134012	
34	Capacitor (Fan Motor)	9357965024	9357965024	9357965024	9357965024	
36	Cord Holder Metal	9356934007	9356934007	9356934007	9356934007	
38	Propeller Fan Assy	9300855013	9300855013	9300855013	9300855013	
41	Fan Motor Assy Outer	9600266014	9600266014	9600266014	9600266014	
45	Bracket (Motor) Assy	9352141003	9352141003	9352141003	9352141003	
46	Compressor Assy	9352412004	9352412004	9353157003	9353157003	
48	Bracket (Coupler) Assy	9355281010	9355281010	9355281010	9355281010	
54	Condensing Pipe-A	9352296000	9357337005	-	-	
55	Special Nut M8 (For Comp.)	313252257701	313252257701	313252257701	313252257701	
107	Rubber Seal-A (For Comp.)	9351875039	9351875039	9351875039	9351875039	
108	Sleeve-A (For Comp.)	9351875046	9351875046	9351875046	9351875046	
109	Terminal Cover (For Comp.)	9351875053	9351875053	9351875053	9353369007	
111	Terminal Packing	9351875060	9351875060	9351875060	9353361004	
128-1	Rubber (Discharge Pipe)	313155086308	-	313155086308	-	
128-2	Capillary Holder Rubber	313394274808	313394274808	313394274808	313394274808	
185	Rubber Bushing	313005066051	313005066051	313005066051	313005066051	
233	Power Transformer	-	9701549016	-	9701549016	
236	Controller PCB Assy	-	9701936014	-	9701936014	
300	Suction Pipe-C	-	9352159000	-	-	
320	Wire Clamp Metal	313483219905	-	313483219905	-	
327	Suction Pipe-A	-	9352754005	-	-	
330	Inlet Pipe (Condenser)-A	-	-	-	9353310002	
333	Accumulator	9350363018	9350363018	9350363018	9350363018	
333-2	Accumulator Assy (B)	9301942019	9301942019	9301942019	9357877002	
334	Suction Pipe-B	9352557002	9352287008	9352557002	9352287008	
343	Solenoid Coil	-	9359616108	-	9359616108	
344	4-Way Valve	-	9353055002	-	9353320008	
353	Thermostat Assy-Pipe	-	9701330010	-	9701330010	
361	Accumulator Support Assy	9355351003	-	-	-	
381	Locking Spacer	-	313209391506	-	313209391506	
405	Clamp No. 1763	313816345304	313816345304	313816345304	313816345304	
407	Clip No. 1258	313739340109	313739340109	313739340109	313739340109	
527	Protection Net	9352163012	9352163012	9352163012	9352163012	
540	Thermostat Assy Outdoor	-	9357328010	-	9357328010	
549	Thermostat-Outdoor	9352426001	-	9352426001	-	
620	Inlet Pipe (Cond.) Assy	9355316019	9352741005	9353183002	9353183002	
628	Locking Spacer-B	-	313005446558	-	313005446558	
646	Compressor Cover-B	313986355101	313986355101	9353368003	9353368003	
678	Bracket (Thermostat)	-	313557406106	-	313557406106	
718	Discharge Pipe-C	-	9352763007	-	9353211002	
734	Cabinet Top Plate	9352161018	9352161018	9352161018	9352161018	
735	Distributor Assy	-	-	9353187000	9353187000	
788	Thermostat-Discharge	-	9358337028	-	9358337028	
788	Thermostat-Overheat	9354061002	-	9354061002	-	
790	Belt Heater	-	9352415005	-	9353359001	

When you order parts, please make a photocopy of this page and fill the number of the parts in the "Order" column.

OUTDOOR UNIT (Continued)

Ref. No.	Description	Part No.				Order Qty
		ROC-367	ROC-367R	ROC-457	ROC-457R	
791	Magnetic Relay	9352552007	9352552007	9352552007	9352552007	
803	Cabiner-D, Painted	9352150012	9352150012	9352150012	9352150012	
805	Blower Cover Corner	9352160011	9352160011	9352160011	9352160011	
806	Cond. Pass Pipe-A	9352294006	9357340005	-	-	
807	Cond. Pass Pipe-B	9353090010	9354112001	-	-	
808	Inlet Pipe (Accumulator)	9352556005	-	9352556005	9353180001	
809	Ball Valve-A	9357976006	9357976006	9357976006	9357976006	
810	Ball Valve-B	9357982007	9357982007	9357982007	9357982007	
812	Grip	9352157004	9352157004	9352157004	9352157004	
813	Cabinet Hook	9352148002	9352148002	9352148002	9352148002	
815	Terminat-8P	9358640029	9358640029	9358640029	9358640029	
816	Wire Clamp Metal	313584218902	313584218902	313584218902	313584218902	
817	Thermostat Fixture	9352154019	-	9352154019	-	
818	Accumulator Support-B Assy	9353350006	-	-	-	
819	Valve-A Coupl. Pipe	9352298004	-	-	-	
820	Joint Pipe (Capillary)	9352299001	-	-	-	
821	Joint Pipe Assy	9352284007	9352284007	9352284007	935307002	
822	Fan Cover Fixture-A	9352158018	9352158018	9352158018	9352158018	
823-2	Fuse Holder	0500063024	0500158072	0500063024	-	
824-4	Fuse	0600222529	-	0600222529	-	
825	Expansion Valve Assy	-	9353001009	-	9353311009	
826	Condensing Pipe-B	9352297007	9352990007	9353215000	9353215000	
842	Cond. Pass Pipe-C	-	9354111004	-	-	
843	Suction Pipe-B Assy	-	9352755002	-	-	
845	Insulation (Exp. Valve)	-	9353070012	-	9353370006	
846	Relay	-	9304375005	-	9304375005	
856	Equalizing Pipe C	-	-	-	9353304001	
857	Inlet Pipe (Accumulator)-B	-	-	-	9353199003	
862	Valve-B Coupl. Pipe	-	-	-	9353309006	
863	Joint Pipe (Capillary)-B	-	-	9353206008	9353206008	
880-1	Network	9700987017	9700987017	9700987017	9700987017	

INDOOR UNIT

CONTROLLER PCB ASSEMBLY (Ref. No. 236)

() : Reverse cycle model

Ref. No.	Description	Part No.	Ord. Qty	Ref. No.	Description	Part No.	Ord. Qty
IC2	IC μ PCT812AF	0100068104		C10, 11, 33, 36, 41	Cap. Elec. 25V 10 μ F	0301132312	
IC3	IC NM7805FA	0100462081		C12	Cap. Elec. 25V 1000 μ F	0301158264	
IC4~8	Xstr μ PA2003GR	0100028041		C13, 15, 34, 37, 39, 44, 45, (47)	Cap. Ceramic 50V 0.1 μ F	0300311152	
IC7	IC MM93C46MR-X	0101622026		C14	Cap. Elec. 25V 100 μ F	0301192350	
IC8	IC PST6000TR	0101461120		C16~31, 38, 40, 42, 46, 49, (C1)	Cap. Ceramic 50V 0.01 μ F	0300311738	
IC9	Photocoupler TLP521(D4)-GB	0000717074		C32, 35, 43, 50~53	Cap. Ceramic 50V 1000pF	0300308569	
(IC10)	IC HI2002	0701384020		C54	Cap. Ceramic 50V 0.01 μ F	0300721539	
Q1	Xstr 2SC4236	0000184047		X1, 4	Relay J01-12V	9701316014	
Q2	Xstr 2SC1875	0000402011		SSR1	Relay G0M-202PL-UTU	9701653013	
Q3, 4	Xstr DTC124EK	0000517034		SM1	Switch, Slide DSS803	9701392018	
D1	Diode 03S860	0000689045		T1	Switching Transformer WPR-1	9701976010	
D2, 4, 7	Diode D1FL20U	0000746519		X1	Ceramic Resonator EF0ECR384T4	9701261017	
D3	Diode MTZJ5, 1B	0000852166		BZ1	Buzzer PKM12EPY-4000-TF01	9701298013	
D5	Diode 1SR139-B00	0000353120		CH1	Network RPEL 121204	9701129012	
D6	Diode D2FL20U	0000906500		CN1	Plug, PCB B2P3-VH-B-C	0500011773	
D8	Diode D1F60	0000208024		(CN1)	Plug, PCB B3P5-VH-B-C	0500011810	
D9	Diode DA22BU	0000625038		CN4	Plug, PCB B2P3-VH-B-Y	0500011827	
D12	Diode DAN202K	0000684019		CN5	Plug, PCB B3P5-VH-B	0500011735	
R1	Res. Cement 5W 3.3 Ω \pm 10%	0200153148		CN8	Plug, PCB B2P3-VH-B-E	0500011759	
R2	Res. Metal 2W 1.5 Ω \pm 5%	0201107119		CN7	Plug, PCB B2B-XASK-1-A	0501045227	
R3	Res. 1/10W 100 Ω \pm 5%	0200212500		CN8	Plug, PCB B2B-XASK-1-A	0501045012	
R4	Res. Carbon 1W 220k Ω \pm 5%	0200111353		CN9	Plug, PCB B2P-SHP-1AA	0500006089	
R5	Res. Metal 2W 47k Ω \pm 5%	0201107652		CN10	Plug, PCB B5B-XASK-1-A	0501045043	
R6	Res. 1/2W 100 Ω \pm 5%	0200731506		CN11	Plug, PCB B5B-XARK-F-A	0501045517	
R7	Res. 1/4W 330 Ω \pm 5%	0200708621		CN12	Plug, PCB B3B-XASK-1-A	0501045029	
R8, 10, 13, 15~17, 21~24, 29~32, 37, 38, 48, 50, 52, 53, 55, 58, 58	Res. 1/4W 10k Ω \pm 5%	0200213019		CN13	Plug, PCB B8B-XASK-1-A	0501045074	
R9	Res. 1/10W 390 Ω \pm 5%	0200212647		CN14	Plug, PCB B4B-XH-AW	0500005314	
R11	Res. Metal 1W 56k Ω \pm 5%	0201106662		CN15	Plug, PCB B5B-XARK 1A	0501045319	
R12, 18~20, 25~28, 33~36, 38, 42, 44, 46, 49, 51, 56~58, 57	Res. 1/10W 1k Ω \pm 5%	0200212746		CN16	Plug, PCB B3P-VH-B	0500011520	
R40, 41	Res. 1/10W 4.7k Ω \pm 5%	0200212906		C101, 102	Cap. Plastic 0.1 μ F	0300304099	
R43	Res. 1/30W 10k Ω \pm 1%	0200219437		C105, 106	Cap. Plastic 0.022 μ F	0301052038	
R45	Res. 1/10W 49.9k Ω \pm 1%	0200219824		SA101	Arrestor DSA-362MA-05	0900168032	
R54	Res. 1/10W 47 Ω \pm 5%	0200212425		VA101, 102 (VA3)	Varistor TNR12G471K	0003038010	
CJ2	Res. 0 Ω	0200212012		TM101, 102 (LF3)	Varistor TNR12G471K	0003038010	
					Plug Contact 85028	0500536016	
					EM Filter SUIEVF-15380	0400341114	

When you order parts, please make a photocopy of this page and fill the number of the parts in the "Order" column.

CONTROLLER PCB ASSEMBLY (Ref. No. 236)

() : Reverse cycle model

Ref. No.	Description	Part No.	Ord. Qty	Ref. No.	Description	Part No.	Ord. Qty
C5	Cap. Elec. 450V 100 μ F	0300312797		F201	Fuse BET3.15A-250V	0600222512	
C6	Cap. Plastic 4700 μ F	0300266091		FH1.2	Fuse Holder PFC5000-0502	0500158072	
C7	Cap. Plastic 50V 0.047 μ F	0300166339		E401	Wire w/Terminal GRN L-100	9702313012	
C8	Cap. Elec. 25V 100 μ F	0301197560		W303, 104	Wire #18 3P	9702310011	

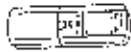
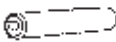

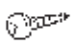
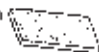

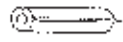






INDICATOR PCB ASSEMBLY (Ref. No. 385)

Ref. No.	Description	Part No.	Ord. Qty	Ref. No.	Description	Part No.	Ord. Qty
D201	Diode SLR-325VC RED	0000813250		P-A201	Remote Control Amplifier SBX1610-22	0100417050	
D202	Diode SLR-325VC GRN	0000813242		SA201	Switch EVD-PAG-04K	970045001E	
D203, 204	Diode SLR-325DC DRG	0000813235		CA201	Wire w/Connector JC/XMR	9702264017	
C201	Cap. Ceramic 0.1 μ F	0300988251					
C202	Cap. Elec. 25V 30 μ F	0300004258					
R201~204	Res. Carbon 1/4W 330 Ω ±5%	0201038050					







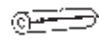
[OUTDOOR UNIT]
CONTROLLER PCB ASSEMBLY

Ref. No.	Description	Part No.	Ord. Qty	Ref. No.	Description	Part No.	Ord. Qty
IC1	IC μ PD18081CJ 011	9701721016		C8~11, 14~16	Cap. Ceramic 50V 0.01 μ F	0300013113	
IC2	IC HU2001	9701651016		30			
IC3	IC PST503D-2 TP	0101461113		C17	Cap. Elec. 25V 100 μ F	0300951375	
IC4	IC NAM7805FA	0100402081		C20, 23, 25, 35	Cap. Ceramic 50V 1000 μ F	0300011096	
IC5~9	IC RA12003	0101650012		C33	Cap. Elec. 25V 2200 μ F	0300915477	
IC1	IC Module ARD-14FS103J*02J103W	0209301020		L1	EMI Filter SU16VF-10030	0400134114	
D1	Xstr 2SC880	0000001014		VA1.4	Varistor TMH12647IK	0000038010	
D2, 3	Xstr DTC24ES	0000517010		F1	Fuse BET 3.15A 250V	0600222512	
D1	Diode D2SB20	0300589023		FH1.2	Fuse Holder PFC5000-3502	0500158072	
D2	Diode MTZJ15C	0003852203		SA1	Arrester DSA 362MA 05	0600168032	
D3~5	Diode 1SR139-4C0	0000553137		X1~6	Relay JG1-12V	9701316014	
D5	Diode 1SS133	0003512019		H1	Heat Sink PUG2R-25	9701428014	
ED1, 2	Diode SLR-325VC RED	0000813250		R1	Ceramic Resonator EFNEC5004T42	9701261024	
R1, 2	Res. Carbon 5.6k Ω ±5%	0209994192		CR1~3	Network RPEL 121204	9701125012	
R3, 5, 10~12, 14, 16, 18, 20, 24	Res. Carbon 1k Ω ±5%	0200594017		CR1	Plug. PCB 53400-B110	0500051089	
R4, 26	Res. Carbon 4.7k Ω ±5%	0200994179		CR2	Plug. PCB B2P3-VH-B-R	0500011766	
R5, 7~9, 13, 21~23, 25	Res. Carbon 10k Ω ±5%	0200994253		CR3	Plug. PCB B2B-2H-AM	0500005321	
R15, 17	Res. Metal 14k Ω	0201028012		CR4, 6	Plug. PCB 53331-D210	0501023019	
R19	Res. Metal 6.65k Ω	0201028766		CR5	Plug. PCB B4P1-VII B	0500011742	
C1, 4	Cap. Plastic 0.1 μ F	0300854835		CR7	Plug. PCB B4P7-VH-B-R	0500011797	
C2, 3	Cap. Ceramic 4700pF	0300727540		CR8	Plug. PCB 179844-2	0501121020	
C5	Cap. Elec. 50V 2200 μ F	0301265026		CR9	Plug. PCB 179844-1	0501121013	
C6, 7, 21, 24, 27	Cap. Elec. 25V 10 μ F	0300004258		CR10	Plug. PCB B4P-SHF-1AA	0500009038	
C8, 18, 19, 22, 25, 28, 29, 34, 36	Cap. Ceramic 0.1 μ F	0300988251		CR11	Plug. PCB B2P-VH-B	0500011124	
				CR12	Plug. PCB B2P-VH-B-C	0500011568	
				CR13	Plug. PCB B2P-VH-B-R	0500011149	
				CR15	Plug. PCB B2B XASK 1 A	0501045012	
				E	Wire w/Terminal L=210 GRN	9701325015	

INDOOR UNIT ACCESSORIES

Name and Shape	Qty	Application	RYT-36	RYT-36R	RYT-45	RYT-45R
Remote control unit 	1	Use for air conditioner operation	9359913061 (AR-DL6)	9359913054 (AR-DL5)	9359913061 (AR-DL6)	9359913054 (AR-DL5)
Battery (coinlight) 	4	For remote control unit	313187358304	313187358304	313187358304	313187358304
Remote control unit holder 	1	For mounting the remote control unit	9359955016	9359955016	9359955016	9359955016
Tapping screw (φ3×12) 	3	For remote control unit holder installation	301141533125	301141533125	301141533125	301141533125
Drain hose insulation 	1	Adhesive type 70×250	9360464002	9360464002	9360464002	9360464002
VT wire 	1	For fixing the drain hose L280mm	313806350303	313806350303	313806350303	313806350303
Coupler heat insulator (large) 	2	For indoor side pipe joint (large pipe)	9350716029	9350716029	9350716029	9350716029
Coupler heat insulator (small) 	1	For indoor side pipe joint (small pipe)	9352766015	9352766015	9352766015	9352766015
Nylon fastener 	Large 4	For fixing the coupler heat insulator	9301501001	9301501001	9301501001	9301501001
	Small 4		312300787605	312300787605	312300787605	312300787605
Special nut A (large flange) 	4	For installing indoor unit	313005446653	313005446653	313005446653	313005446653
Special nut B (small flange) 	4	For installing indoor unit	313005446759	313005446759	313005446759	313005446759
Installation template 	1	For positioning the indoor unit	9360022004	9360022004	9360022004	9360022004
Auxiliary pipe assembly 	1	For connecting the piping	9360463005	9360463005	9360463005	9360463005

OUTDOOR UNIT ACCESSORIES

Name and Shape	Qty	Application	RDC-36T	RDC-36TR	RDC-45T	RDC-45TR
Power cap 	1	For power cord installation	9352173011	9352173011	9352173011	9352173011
Auxiliary assembly 	1	For wiring conduit (gas side) connection (May not be supplied, depending on the model)	9355292016	9355292016	9355292016	9355292016
Edge cover 	1	For wiring conduit installation on hole edge protection	9352436000	9352436000	9352436000	9352436000
Tapping screw 	2	• For cabinet A and cabinet D mounting (1) • Spare (1)	301463040100	301463040100	301463040100	301463040100
Binder 	1	For power cord binding	313035356905	313035356905	313035356905	313035356905
Platy 	1	For sealing	303020200114	303020200114	303020200114	303020200114
Coupler heat insulation 	1	For outdoor side pipe joint	313005074759	313005074759	313005074759	313005074759



MANUFACTURER

Fuji Denki Sosei Co., Ltd.

Tokyo, Japan