



www.esbe.se



SERIES VTC300

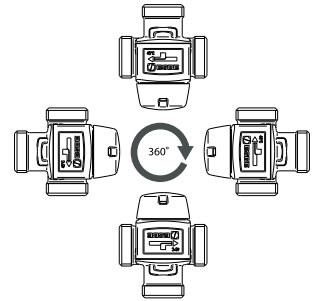
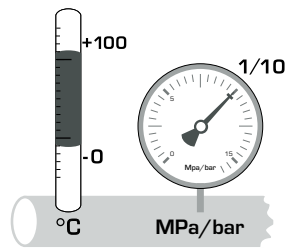


NO.1 IN HYDROMIC SYSTEM CONTROL

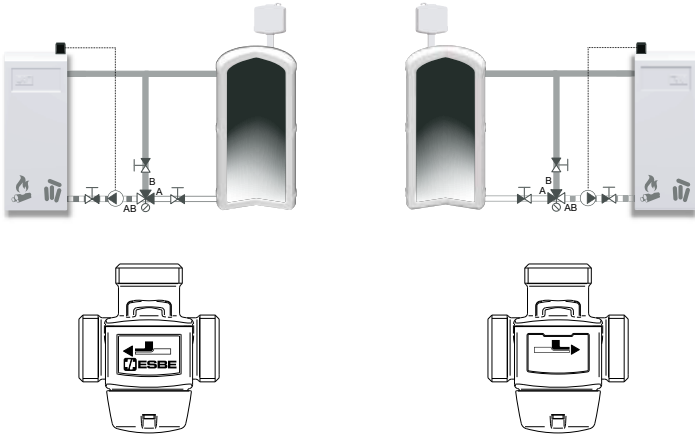
Mtr.nr: 9814 Q2 B6 • Ritn.nr: 9143 utg. C • Rev. 0802



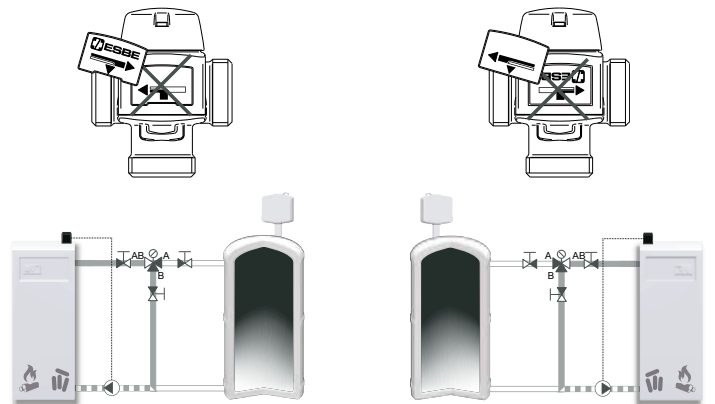
Series VTC311
Series VTC312
Series VTC317
Series VTC318
CE
PED 97/23/EC



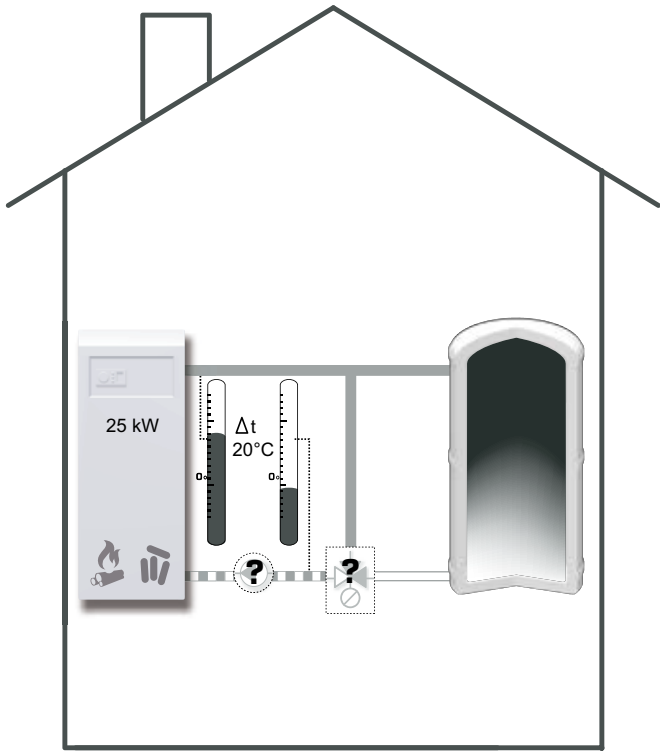
45/55/60/70/80 °C



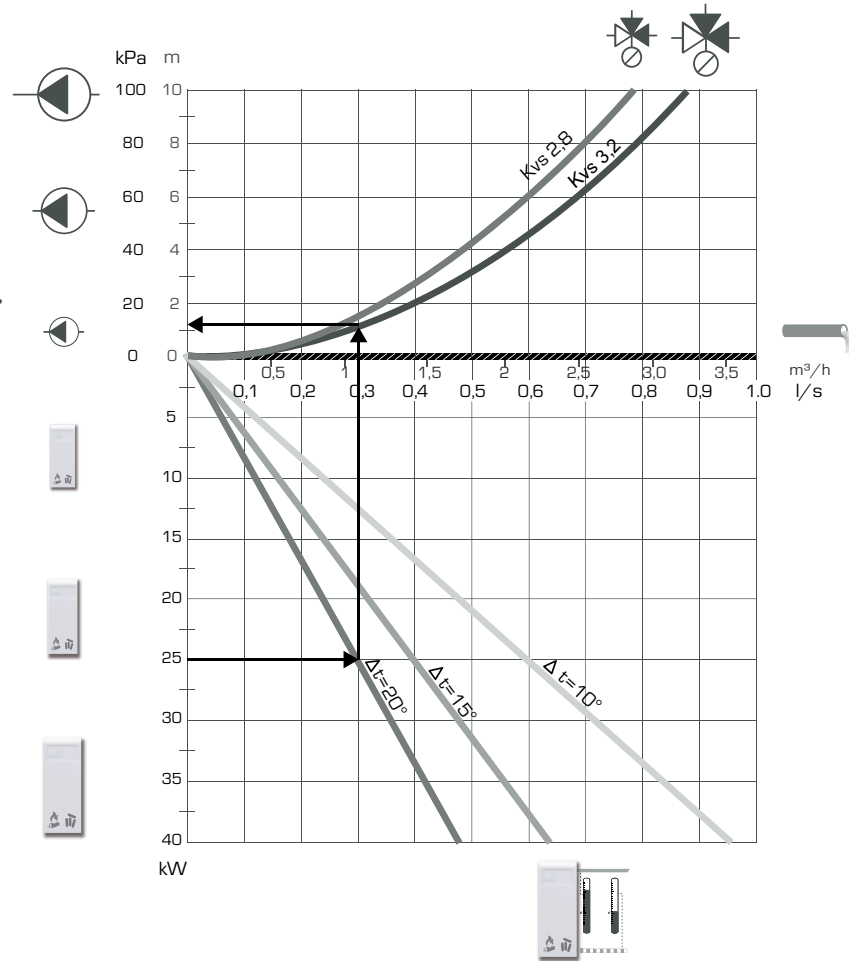
70/80 °C



1



2



3

