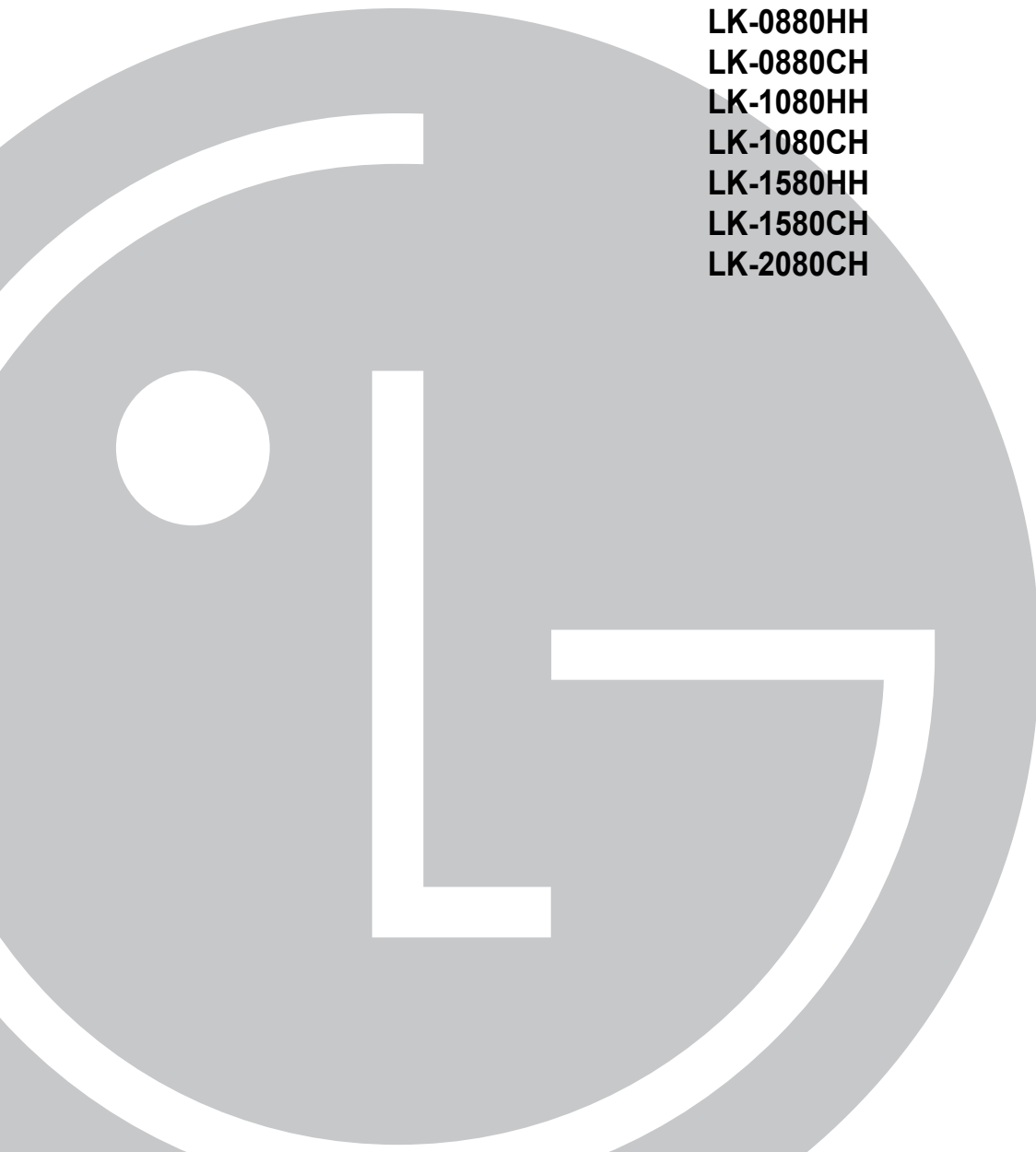




Single Packaged Air Conditioner

SERVICE MANUAL

MODELS: LK-0580HC
LK-0580CC
LK-0880HH
LK-0880CH
LK-1080HH
LK-1080CH
LK-1580HH
LK-1580CH
LK-2080CH



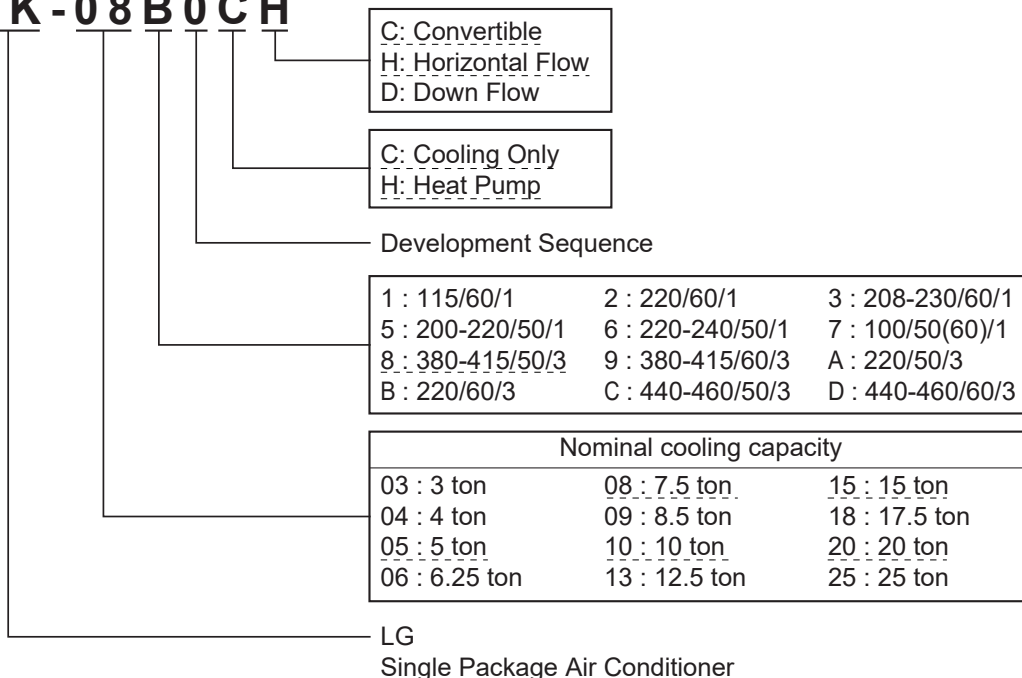
Model Number Nomenclature

Table of contents

Model Number Nomenclature	2
General Data	3
Performance Data	6
Electrical Requirements	16
Dimensions	18
Wiring Diagram	24
Trouble Shooting Guide	33
Electric Parts Trouble Shooting Guide	37
Feature of Controller	45
Exploded View and Replacement Parts List	50
Specification of Components	69

Model Number Nomenclature

L K - 0 8 B 0 C H



General Data

Table-1

COOLING ONLY

Nominal ton		(Ton)	5	7.5	10	
Models			LK-0580CC	LK-0880CH	LK-1080CH	
Electrical Data	ARI Net Cooling Capacity		(BTU/hr)	54,500	78,000	106,000
			(W)	15,972	22,859	31,065
			(Kcal/h)	13,735	19,657	26,714
	Voltage		(V,PH)	380/415V,3PH		
	M.C A(with standard motor)	Cooling	(Amps)	12.5	20	30
	Power Input	Cooling	(Watt)	5,700	8,500	12,000
Performance	Air Circulation	Nominal CFM	CFM	2,000	2,600	3,400
	EER	Cooling	(BTU/hr.W)	9.6	9.2	8.8
	Sound Rating	Cooling	bell	8.8	8.8	9.2
Features	Wired Remote Controller			⊗(Accessory)	⊗(Accessory)	⊗(Accessory)
	Time Delay Safety Function			⊗	⊗	⊗
	Cooling Operation Mode			⊗	⊗	⊗
	Heating Operation Mode(with E/Heater)			⊗	⊗	⊗
	Soft Dry Operation			⊗	⊗	⊗
	Timer Setting (24-Hour on/off)			⊗	⊗	⊗
	Auto restart mode			⊗	⊗	⊗
	Humidifier function			⊗	⊗	⊗
	Test function			⊗	⊗	⊗
	Self-Diagnosis Function			⊗	⊗	⊗
	Filter type			-	washable & Anti-fungus	washable & Anti-fungus
Compressor	Type			Reciprocating	Reciprocating	Reciprocating
	Quantity			1	1	2
Outdoor Coil	Type			High efficiency	High efficiency	High efficiency
	Tube size(O.D)	(inch)		0.375	0.375	0.375
		(mm)		9.52	9.52	9.52
	Row/FPI			2R/19FPI	2R/16FPI	2R/16FPI
	Lengh	(inch)		54.3	55.9	66.9
		(mm)		1,380	1,420	1,700
	Face area	(sq.ft)		12.07	12.42	17.66
		(mm ²)		1.12	1.15	1.64
Indoor Coil	Type			High efficiency	High efficiency	High efficiency
	Tube size(O.D)	(inch)		0.375	0.375	0.375
		(mm)		9.52	9.52	9.52
	Row/FPI			3R/16FPI	2R/16FPI	3R/16FPI
	Lengh	(inch)		18.3	42.1	37.9
		(mm)		465	1,070	963
	Face area	(sq.ft)		4.83	7.61	9.48
		(mm ²)		0.45	0.71	0.88
Outdoor Fan	Type			Propeller	Propeller	Propeller
	No. Used/Diameter(in)			2EA/18"	1EA/24"	1EA/26"
	Drive Type			Direct	Direct	Direct
	CFM			3,300	4,000	6,400
	No. Motor/Motor output(Hp)			2/0.15	1/0.5	1/1.3
	Motor RPM			930	950	950
Indoor Fan	Type			Centrifugal Blower Fan		
	No. Used			1EA	1EA	1EA
	Diameter/Width(in)			11"/11"	13"/13"	15"/11"
	Drive Type/Motor Step			Direct/2	Belt/1	Belt/1
	No.motors			1EA	1EA	1EA
	Motor output(standard/oversized)			0.3Hp/N A	1.5Hp/3.0Hp	3.0Hp/N.A
	Motor rpm(Standard/oversized)			920/N A	1440/1440	1440/N.A
Drain Connection	Size(in.)			3/4"	3/4"	3/4"
Dimensions	Indoor unit (WxHxD)	(mm)		1,280*1,065*1,110	2,170*890*1,159	2,170*1,050*1,550
Weight	net	(kg)		220	280	330
		(lbs)		485	617	728

- 1) Test Condition of ARI Rated Cooling Capacity :
Ambient:95°F , Air entering temperature : 80°F DB and 67°F WB
- 2) ARI standard
210/240 or 360 for EER
270 for Sound
- 3) The supply of filters is standard.

Table-2

COOLING ONLY

Nominal ton		(Ton)	15	20	
Models			LK-1580CH	LK-2080CH	
Electrical Data	ARI Net Cooling Capacity		(BTU/hr)	159,000	224,000
			(W)	46,598	65,648
			(Kcal/h)	40,071	56,452
Voltage			(V,PH)	380/415V, 3PH	
M.C.A(with standard motor)		Cooling	(Amps)	41.9	53.8
Power Input		Cooling	(Watt)	17,200	24,800
Performance	Air Circulation	Nominal CFM	CFM	5,300	8,000
	EER	Cooling	(BTU/hr.W)	9.2	9
	Sound Rating	Cooling	bell	9.2	9.2
Features	Wired Remote Controller			Ⓞ(Accessory)	Ⓞ(Accessory)
	Time Delay Safety Function			Ⓞ	Ⓞ
	Cooling Operation Mode			Ⓞ	Ⓞ
	Heating Operation Mode(with E/Heater)			Ⓞ	Ⓞ
	Soft Dry Operation			Ⓞ	Ⓞ
	Timer Setting (24-Hour on/off)			Ⓞ	Ⓞ
	Auto restart mode			Ⓞ	Ⓞ
	Humidifier function			Ⓞ	Ⓞ
	Test function			Ⓞ	Ⓞ
	Self-Diagnosis Function			Ⓞ	Ⓞ
Filter type			washable & Anti-fungus	washable & Anti-fungus	
Compressor	Type			Reciprocating	Reciprocating
	Quantity			2	2
Outdoor Coil	Type			High efficiency	High efficiency
	Tube size(O.D)	(inch)		0.375	0.375
		(mm)		9.52	9.52
	Row/FPI			2R/16FPI	2R/16FPI
	Lengh	(inch)		85	78.7
		(mm)		2,160	2,000
Face area	(sq.ft)		25.98	32.81	
	(mm ²)		2.41	3.05	
Indoor Coil	Type			High efficiency	High efficiency
	Tube size(O.D)	(inch)		0.375	0.375
		(mm)		9.52	9.52
	Row/FPI			2R/16FPI	2R/16FPI
	Lengh	(inch)		55.1	55.9
		(mm)		1,400	1,420
Face area	(sq.ft)		16.08	23.29	
	(mm ²)		1.49	2.16	
Outdoor Fan	Type			Propeller	Propeller
	No. Used/Diameter(in.)			2EA/24"	2EA/26"
	Drive Type			Direct	Direct
	CFM			9,000	12,500
	No. Motor/Motor output(Hp)			2/0.5	2/1.3
	Motor RPM			950	950
Indoor Fan	Type			Centrifugal Blower Fan	
	No. Used			1EA	1EA
	Diameter/Width(in.)			15"/15"	18"/18"
	Drive Type/Motor Step			Belt/1	Belt/1
	No motors			1EA	1EA
	Motor output(standard/oversized)			4.0Hp/5.0Hp	5Hp/7.5Hp
	Motor rpm(Standard/oversized)			1440/2980	2980/2980
Drain Connection Size(in.)			1"	1"	
Dimensions	Indoor unit (WxHxD)	(mm)	2,438*1,230*1,766	2,774*1,660*1,880	
Weight	net	(kg)	530	820	
		(lbs)	1168	1808	

- 1) Test Condition of ARI Rated Cooling Capacity :
Ambient:95°F , Air entering temprature : 80°F DB and 67°F WB
- 2) ARI standard
210/240 or 360 for EER
270 for Sound
- 3) The supply of filters is standard.

Table-3

HEAT-PUMP

Nominal ton		(Ton)	5	7.5	10	15	
Models			LK-0580HC	LK-0880HH	LK-1080HH	LK-1580HH	
Capacity	ARI Net Cooling Capacity	(BTU/hr)	53,000	73,000	100,000	152,000	
		(W)	15,533	21,394	29,307	44,547	
		(Kcal/h)	13,357	18,397	25,202	38,306	
	Heating Capacity	(BTU/hr)	53,000	73,000	92,000	150,000	
		(W)	15,533	21,394	26,962	43,961	
(Kcal/h)		13,357	18,397	23,185	37,802		
Electrical Data	Voltage	(V,PH)	380/415V,3PH				
	M.C A(with standard motor)	Cooling	(Amps)	12.5	20	27	40.6
		Heating	(Amps)	10.6	18.2	24.5	36.9
	Power Input	Cooling	(Watt)	5,700	8,500	12,000	17,000
Heating		(Watt)	4,750	7,100	9,800	14,300	
Performance	Air Circulation	Nominal CFM	CFM	2,000	2,600	3,400	5,300
	EER	Cooling	(BTU/hr.W)	9.3	8.6	8.3	8.9
		Heating	(BTU/hr.W)	11.2	10.3	9.4	10.5
	Sound Rating	bell	8.8	8.8	9.2	9.2	
Features	Wired Remote Controller		⊙	⊙	⊙	⊙	
	Time Delay Safety Function		⊙	⊙	⊙	⊙	
	Cooling Operation Mode		⊙	⊙	⊙	⊙	
	Heating Operation Mode(with E/Heater)		⊙	⊙	⊙	⊙	
	Soft Dry Operation		⊙	⊙	⊙	⊙	
	Timer Setting (24-Hour on/off)		⊙	⊙	⊙	⊙	
	Auto restart mode		⊙	⊙	⊙	⊙	
	Humidifier function		⊙	⊙	⊙	⊙	
	Test function		⊙	⊙	⊙	⊙	
	Defrost		⊙	⊙	⊙	⊙	
	Hot Start		⊙	⊙	⊙	⊙	
	Self-Diagnosis Function		⊙	⊙	⊙	⊙	
	Filter type		-	washable & Anti-fungus	washable & Anti-fungus	washable & Anti-fungus	
Compressor	Type		Reciprocating	Reciprocating	Reciprocating	Reciprocating	
	Quantity		1	1	2	2	
Outdoor Coil	Type		High efficiency	High efficiency	High efficiency	High efficiency	
	Tube size(O.D)	(inch)	0.375	0.375	0.375	0.375	
		(mm)	9.52	9.52	9.52	9.52	
	Row/FPI		2R/19FPI	2R/16FPI	2R/16FPI	2R/16FPI	
	Length	(inch)	54.3	55.9	66.9	85	
		(mm)	1,380	1,420	1,700	2,160	
Face area	(sq.ft)	12.07	12.42	17.66	25.98		
	(mm ²)	1.12	1.15	1.64	2.41		
Indoor Coil	Type		High efficiency	High efficiency	High efficiency	High efficiency	
	Tube size(O.D)	(inch)	0.375	0.375	0.375	0.375	
		(mm)	9.52	9.52	9.52	9.52	
	Row/FPI		3R/16FPI	2R/16FPI	2R/16FPI	2R/16FPI	
	Length	(inch)	18.3	42.1	37.9	55.1	
		(mm)	465	1,070	963	1,400	
Face area	(sq.ft)	4.83	7.61	9.48	16.08		
	(mm ²)	0.45	0.71	0.88	1.49		
Outdoor Fan	Type		Propeller	Propeller	Propeller	Propeller	
	No. Used/Diameter(in)		2EA/18"	1EA/26"	1EA/26"	2EA/26"	
	Drive Type		Direct	Direct	Direct	Direct	
	CFM		3,300	5,900	6,400	9,000	
	No. Motor/Motor output(Hp)		2/0.15	1/0.5	1/1.3	2/1.3	
Motor RPM		930	950	950	950		
Indoor Fan	Type		Centrifugal Blower Fan				
	No. Used		1EA	1EA	1EA	1EA	
	Diameter/Width(in)		11"/11"	13"/13"	15"/11"	15"/15"	
	Drive Type/Motor Step		Direct/2	Belt/1	Belt/1	Belt/1	
	No.motors		1EA	1EA	1EA	1EA	
	Motor output(standard/oversized)		0.3Hp/N A	1.5Hp/3.0Hp	3.0Hp/N A	4.0Hp/5.0Hp	
	Motor rpm(Standard/oversized)		920/N.A	1440/1440	1440/N.A	1440/2980	
Drain Connection Size(in.)		3/4	3/4	3/4	1		
Dimensions	Indoor unit (WxHxD)	(mm)	1,280*1,065*1,110	2,170*890*1,159	2,170*1,050*1,550	2,438*1,230*1,766	
Weight	net	(kg)	220	280	330	530	
		(lbs)	485	617	728	1168	

1) Test Condition of ARI Rated Cooling Capacity : Ambient:95°F , Air entering temperature : 80°F DB and 67°F WB
 Test Condition of Heating Capacity : ① Outdoor entering Temperature : 44.6°F DB and 42.8°F WB95°F

② Indoor Air entering temperature : 68°F DB and 59°F WB

- 2) ARI standard
 210/240 or 360 for EER
 270 for Sound
- 3) The supply of filters is standard.

Performance data

Table-1

Supply Fan Performance LK-0580HC/0580CC(SI)

L/s	High Speed		Mid Speed		Low Speed	
	ESP	BkW	ESP	BkW	ESP	BkW
802	22.27	0.38	21.19	0.33	7.52	0.38
849	19.68	0.41	17.25	0.37	0.75	0.42
897	17.09	0.45	13.32	0.40	-	-
944	14.49	0.48	9.39	0.43	-	-
991	11.90	0.52	5.46	0.47	-	-
1038	9.30	0.56	1.53	0.50	-	-
1085	6.71	0.59	-	-	-	-
1133	4.12	0.63	-	-	-	-

• Fan motor heat = 2 x BkW

• Test Condition: ① Voltage : 380V

② Operating Mode: Fan operation mode with clean filter, dry coil, without electric heater.

Table-2

Supply Fan Performance LK-0580HC/0580CC (English)

CFM	High Speed		Mid Speed		Low Speed	
	ESP	BHP	ESP	BHP	ESP	BHP
1,700	0.85	0.54	0.79	0.44	0.30	0.51
1,800	0.77	0.55	0.68	0.49	0.03	0.56
1,900	0.67	0.59	0.59	0.54	-	-
2,000	0.57	0.65	0.37	0.58	-	-
2,100	0.51	0.67	0.23	0.63	-	-
2,200	0.41	0.72	0.06	0.67	-	-
2,300	0.26	0.80	-	-	-	-
2,400	0.11	0.89	-	-	-	-

• Fan motor heat(MBH)= 5.09 x Fan Bhp

• Test Condition: ① Voltage :380V

② Operating Mode: Fan operation mode with clean filter, dry coil, without electric heater.

Table-3**Supply Fan Performance LK-0880HH/0880CH (SI)**

L/s	External Static Pressure(inches of water)																								
	2.5		5.1		7.6		10.2		12.7		15.2		17.8		20.3		22.9		25.4		31.8		38.1		
	RPM	BkW	RPM	BkW	RPM	BkW	RPM	BkW	RPM	BkW	RPM	BkW	RPM	BkW	RPM	BkW	RPM	BkW	RPM	BkW	RPM	BkW	RPM	BkW	RPM
	1.5 STANDARD MOTOR & DRIVE																								
982	645	0.19	668	0.24	691	0.28	714	0.33	738	0.38	761	0.42	784	0.47	807	0.51	830	0.56	854	0.6	912	0.72	970	0.83	
1104	676	0.31	699	0.36	722	0.4	746	0.45	769	0.5	792	0.54	815	0.59	838	0.63	862	0.68	885	0.72	943	0.84	1001	0.95	
1227	711	0.45	734	0.5	757	0.55	781	0.59	804	0.64	827	0.68	850	0.73	873	0.77	897	0.82	920	0.87	978	0.98	1036	1.09	
1350	749	0.62	773	0.66	796	0.71	819	0.76	842	0.8	866	0.85	889	0.89	912	0.94	935	0.98	958	1.03	1016	1.14	1074	1.26	
1472	792	0.81	815	0.85	838	0.9	861	0.94	885	0.99	908	1.04	931	1.08	954	1.13	977	1.17	1001	1.22	1059	1.33	1117	1.45	
	3Hp OVERSIZE MOTOR & DRIVE																								

- Fan motor heat(MBH)= 1.28 x Fan BkW
- Test Condition: ① Voltage : 380V
② Operating Mode: Fan operation mode with clean filter, dry coil, without electric heater.

Table-4**Supply Fan Performance LK-0880HH/0880CH (English)**

CFM	External Static Pressure(inches of water)																								
	0.1		0.2		0.3		0.4		0.5		0.6		0.7		0.8		0.9		1		1.25		1.5		
	RPM	BHP	RPM	BHP	RPM	BHP	RPM	BHP	RPM	BHP	RPM	BHP	RPM	BHP	RPM	BHP	RPM	BHP	RPM	BHP	RPM	BHP	RPM	BHP	RPM
	1.5 STANDARD MOTOR & DRIVE																								
2080	645	0.26	668	0.32	691	0.38	714	0.44	738	0.5	761	0.56	784	0.63	807	0.69	830	0.75	854	0.81	912	0.96	970	1.12	
2340	676	0.42	699	0.48	722	0.54	746	0.6	769	0.66	792	0.73	815	0.79	838	0.85	862	0.91	885	0.97	943	1.12	1001	1.28	
2600	711	0.61	734	0.67	757	0.73	781	0.79	804	0.85	827	0.92	850	0.98	873	1.04	897	1.1	920	1.16	978	1.31	1036	1.47	
2860	749	0.83	773	0.89	796	0.95	819	1.01	842	1.07	866	1.14	889	1.2	912	1.26	935	1.32	958	1.38	1016	1.53	1074	1.69	
3120	792	1.08	815	1.14	838	1.2	861	1.27	885	1.33	908	1.39	931	1.45	954	1.51	977	1.57	1001	1.63	1059	1.79	1117	1.94	
	3Hp OVERSIZE MOTOR & DRIVE																								

- Fan motor heat(kW)= 3.26 x Fan Bhp
- Test Condition: ① Voltage : 380V
② Operating Mode: Fan operation mode with clean filter, dry coil, without electric heater.

Table-5**Fan speed Data LK-0880HH/0880CH**

	6 Turn Open	5 Turn Open	4 Turn Open	3 Turn Open	2 Turn Open	1 Turn Open	Closed
Standard Motor & Drive Fan Speed	644	694	745	795	845	896	946
Over size Motor & Drive Fan Speed	751	810	869	928	986	1045	1104

- Factory set at 3 turns open.

Table-6

Supply Fan Performance LK-1080HH/1080CH (English)

CFM	External Static Pressure(inches of water)																							
	0.1		0.2		0.3		0.4		0.5		0.6		0.7		0.8		0.9		1		1.1		1.2	
	RPM	BHP	RPM	BHP	RPM	BHP	RPM	BHP	RPM	BHP	RPM	BHP	RPM	BHP	RPM	BHP	RPM	BHP	RPM	BHP	RPM	BHP	RPM	BHP
	3Hp STANDARD MOTOR & DRIVE																							
2720	609	0.53	615	0.53	623	0.62	632	0.67	642	0.72	653	0.76	665	0.81	678	0.85	693	0.90	707	0.94	722.9	0.99	739	1.03
3060	640	0.75	645	0.80	653	0.84	662	0.89	672	0.93	684	0.98	696	1.02	709	1.07	723	1.11	738	1.16	753.4	1.21	770	1.25
3400	676	1.01	682	1.06	689	1.10	698	1.15	708	1.19	720	1.24	732	1.28	745	1.33	759	1.37	774	1.42	789.4	1.46	806	1.51
3740	718	1.31	723	1.35	731	1.40	740	1.44	750	1.49	761	1.54	774	1.58	787	1.63	801	1.67	816	1.72	831.3	1.76	848	1.81
4080	765	1.65	771	1.70	779	1.74	788	1.79	798	1.83	809	1.88	822	1.92	835	1.97	849	2.01	864	2.06	879.3	2.10	896	2.15

CFM	External Static Pressure(inches of water)															
	1.3		1.4		1.5		1.6		1.7		1.8		1.9		2	
	RPM	BHP	RPM	BHP	RPM	BHP	RPM	BHP	RPM	BHP	RPM	BHP	RPM	BHP	RPM	BHP
	3Hp STANDARD MOTOR & DRIVE															
2720	756	1.08	774	1.12	792	1.17	811	1.21	831	1.26	851	1.30	872	1.35	893	1.39
3060	787	1.30	804	1.34	823	1.39	842	1.43	861	1.48	881	1.52	902	1.57	923	1.61
3400	823	1.55	840	1.60	859	1.64	878	1.69	897	1.73	917	1.78	938	1.82	959	1.87
3740	865	1.85	882	1.90	901	1.94	920	1.99	939	2.03	959	2.08	980	2.12	1001	2.17
4080	913	2.20	930	2.24	949	2.29	968	2.33	987	2.38	1007	2.42	1028	2.47	-	-

3Hp STANDARD MOTOR & HIGH STATIC DRIVE

- Fan motor heat(MBH)= 3.1 x Fan Bhp
- Test Condition: ① Voltage : 380V
 ② Operating Mode: Fan operation mode with clean filter, dry coil, without electric heater.

Table-7**Evaporator Fan Performance LK-1080HH/1080CH (SI)**

L/s	External Static Pressure(mm aq.)																							
	2.5		5.1		7.6		10.2		12.7		15.2		17.8		20.3		22.9		25.4		27.9		30.5	
	RPM	BkW	RPM	BkW	RPM	BkW	RPM	BkW	RPM	BkW	RPM	BkW	RPM	BkW	RPM	BkW	RPM	BkW	RPM	BkW	RPM	BkW	RPM	BkW
	3Hp STANDARD MOTOR & DRIVE																							
1284	609	0.40	615	0.43	623	0.47	632	0.50	642	0.53	653	0.57	665	0.60	678	0.63	693	0.67	707	0.70	722.9	0.74	739	0.77
1444	640	0.56	645	0.59	653	0.63	662	0.66	672	0.70	684	0.73	696	0.76	709	0.80	723	0.83	738	0.86	753.4	0.90	770	0.93
1605	676	0.75	682	0.79	689	0.82	698	0.85	708	0.89	720	0.92	732	0.96	745	0.99	759	1.02	774	1.06	789.4	1.09	806	1.12
1765	718	0.98	723	1.01	731	1.04	740	1.08	750	1.11	761	1.15	774	1.18	787	1.21	801	1.25	816	1.28	831.3	1.31	848	1.35
1925	765	1.23	771	1.27	779	1.30	788	1.33	798	1.37	809	1.40	822	1.43	835	1.47	849	1.50	864	1.54	879.3	1.57	896	1.60

L/s	External Static Pressure(mm aq.)															
	33.0		35.6		38.1		40.6		43.2		45.7		48.3		50.8	
	RPM	BkW	RPM	BkW	RPM	BkW	RPM	BkW	RPM	BkW	RPM	BkW	RPM	BkW	RPM	BkW
	3Hp STANDARD MOTOR & DRIVE															
1284	756	0.80	774	0.84	792	0.87	811	0.90	831	0.94	851	0.97	872	1.10	893	1.04
1444	787	0.97	804	1.00	823	1.03	842	1.07	861	1.10	881	1.13	902	1.17	923	1.20
1605	823	1.16	840	1.19	859	1.23	878	1.26	897	1.29	917	1.33	938	1.36	959	1.39
1765	865	1.38	882	1.42	901	1.45	920	1.48	939	1.52	959	1.55	980	1.58	1001	1.62
1925	913	1.64	930	1.67	949	1.70	968	1.74	987	1.77	1007	1.81	1028	1.84	-	-

3Hp STANDARD MOTOR & HIGH STATIC DRIVE

- Fan motor heat(kW)= 1.22 x Fan BkW
- Test Condition: ① Voltage : 380V
② Operating Mode: Fan operation mode with clean filter, dry coil, without electric heater.

Table-8**Fan speed Data 1080HH/1080CH**

	6 Turn Open	5 Turn Open	4 Turn Open	3 Turn Open	2 Turn Open	1 Turn Open	Closed
Standard Motor & Drive Fan Speed	576	615	655	694	734	773	813
Standard Motor & High Static Drive Accessory Fan Speed	742	793	843	894	945	996	1046

- Factory set at 3 turns open.

Table-9

Evaporator Fan Performance LK-1580CH/1580HH (English)

CFM	External Static Pressure(inches of water)																							
	0.1		0.2		0.3		0.4		0.5		0.6		0.7		0.8		0.9		1		1.1		1.2	
	RPM	BHP	RPM	BHP	RPM	BHP	RPM	BHP	RPM	BHP	RPM	BHP	RPM	BHP	RPM	BHP	RPM	BHP	RPM	BHP	RPM	BHP	RPM	BHP
	4Hp STANDARD MOTOR & DRIVE																							
4240	-	-	624	1.21	641	1.28	658	1.36	674	1.43	691	1.51	708	1.58	725	1.66	742	1.73	759	1.81	775	1.88	792	1.95
4770	643	1.56	660	1.63	677	1.71	694	1.78	711	1.86	728	1.93	745	2.01	761	2.08	778	2.16	795	2.23	812	2.31	829	2.38
5300	686	2.06	703	2.13	720	2.21	737	2.28	754	2.36	771	2.43	788	2.51	804	2.58	821	2.66	838	2.73	855	2.81	872	2.88
5830	736	2.64	753	2.72	770	2.79	787	2.87	804	2.94	821	3.02	838	3.09	854	3.17	871	3.24	888	3.32	905	3.39	922	3.47
6360	794	3.31	811	3.39	827	3.46	844	3.54	861	3.61	878	3.69	895	3.76	912	3.84	929	3.91	945	3.99	962	4.06	979	4.14

CFM	External Static Pressure(inches of water)															
	1.3		1.4		1.5		1.6		1.7		1.8		1.9		2	
	RPM	BHP	RPM	BHP	RPM	BHP	RPM	BHP	RPM	BHP	RPM	BHP	RPM	BHP	RPM	BHP
	4Hp STANDARD MOTOR & DRIVE															
4240	809	2.03	826	2.10	843	2.18	860	2.25	877	2.33	893	2.40	910	2.48	927	2.55
4770	846	2.46	862	2.53	879	2.60	896	2.68	913	2.75	930	2.83	947	2.90	964	2.98
5300	889	2.96	905	3.03	922	3.11	939	3.18	956	3.26	973	3.33	990	3.41	1007	3.48
5830	939	3.54	955	3.62	972	3.69	989	3.77	1006	3.84	1023	3.92	1040	3.99	1057	4.07
6360	996	4.21	1013	4.29	1030	4.36	1046	4.44	1063	4.51	1080	4.59	1097	4.66	1114	4.74

4Hp STANDARD MOTOR & HIGH STATIC DRIVE

5Hp OVER SIZE MOTOR & DRIVE

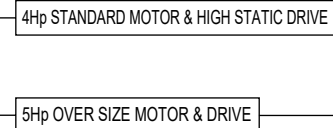
- Fan motor heat(MBH)= 3.1 x Fan Bhp
- Test Condition: ❶ Voltage : 380V
 ❷ Operating Mode: Fan operation mode with clean filter, dry coil, without electric heater.

Table-10

Evaporator Fan Performance LK-1580HH/1580CH (SI)

L/s	External Static Pressure(mm aq.)																							
	2.5		5.1		7.6		10.2		12.7		15.2		17.8		20.3		22.9		25.4		27.9		30.5	
	RPM	BkW	RPM	BkW	RPM	BkW	RPM	BkW	RPM	BkW	RPM	BkW	RPM	BkW	RPM	BkW	RPM	BkW	RPM	BkW	RPM	BkW	RPM	BkW
2001	-	-	624	0.90	641	0.96	658	1.01	674	1.07	691	1.12	708	1.18	725	1.23	742	1.29	759	1.35	775	1.40	792	1.46
2251	643	1.16	660	1.22	677	1.27	694	1.33	711	1.38	728	1.44	745	1.50	761	1.55	778	1.61	795	1.66	812	1.72	829	1.78
2501	686	1.54	703	1.59	720	1.65	737	1.7	754	1.76	771	1.82	788	1.87	804	1.93	821	1.98	838	2.04	855	2.09	872	2.15
2751	736	1.97	753	2.03	770	2.08	787	2.14	804	2.2	821	2.25	838	2.31	854	2.36	871	2.42	888	2.47	905	2.53	922	2.59
3002	794	2.47	811	2.53	827	2.58	844	2.64	861	2.69	878	2.75	895	2.81	912	2.86	929	2.92	945	2.97	962	3.03	979	3.09

L/s	External Static Pressure(mm aq.)															
	33.0		35.6		38.1		40.6		43.2		45.7		48.3		50.8	
	RPM	BkW	RPM	BkW	RPM	BkW	RPM	BkW	RPM	BkW	RPM	BkW	RPM	BkW	RPM	BkW
2001	809	1.51	826	1.57	843	1.63	860	1.68	877	1.74	893	1.79	910	1.85	927	1.90
2251	846	1.83	862	1.89	879	1.94	896	2.00	913	2.05	930	2.11	947	2.17	964	2.22
2501	889	2.21	905	2.26	922	2.32	939	2.37	956	2.43	973	2.49	990	2.54	1007	2.6
2751	939	2.64	955	2.70	972	2.75	989	2.81	1006	2.86	1023	2.92	1040	2.98	1057	3.03
3002	996	3.14	1013	3.2	1030	3.25	1046	3.31	1063	3.36	1080	3.42	1097	3.48	1114	3.53



- Fan motor heat(kW)= 1.22 x Fan BkW
- Test Condition: ❶ Voltage : 380V
 ❷ Operating Mode: Fan operation mode with clean filter, dry coil, without electric heater.

Table-11

Fan speed Data LK-1580CH/1580HH

	6 Turn Open	5 Turn Open	4 Turn Open	3 Turn Open	2 Turn Open	1 Turn Open	0 Turn Open
Standard Motor & Drive Fan Speed	610	562	694	735	777	819	861
Standard Motor & High Static Drive Accessory Fan Speed	742	793	843	894	945	996	1,046
Over Size Motor & Drive Fan Speed	882	942	1,002	1,063	1,123	1,183	1,244

- Factory set at 3 turns open.

Table-12

Evaporator Fan Performance LK-2080CH (English)

CFM	External Static Pressure(inches of water)																							
	0.1		0.2		0.3		0.4		0.5		0.6		0.7		0.8		0.9		1		1.1		1.2	
	RPM	BHP	RPM	BHP	RPM	BHP	RPM	BHP	RPM	BHP	RPM	BHP	RPM	BHP	RPM	BHP	RPM	BHP	RPM	BHP	RPM	BHP	RPM	BHP
	5Hp STANDARD MOTOR & DRIVE																							
6400	-	-	-	-	-	-	-	-	477	1.18	502	1.34	526	1.51	549	1.68	573	1.87	598	2.08	620	2.30	644	2.50
7200	-	-	-	-	-	-	497	1.68	522	1.88	545	2.06	567	2.23	589	2.42	610	2.61	638	2.80	649	3.02	671	3.25
8000	-	-	488	2.00	517	2.23	544	2.47	568	2.70	590	2.93	611	3.13	631	3.32	651	3.52	670	3.72	687	3.94	706	4.16
8800	507	2.72	538	2.90	565	3.15	590	3.40	614	3.66	636	3.93	656	4.17	675	4.40	694	4.62	712	4.83	728	5.05	745	5.28
9600	559	3.74	587	3.90	613	4.24	637	4.51	660	4.79	682	5.08	702	5.36	721	5.64	739	5.89	756	6.13	772	6.37	787	6.61

CFM	External Static Pressure(inches of water)															
	1.3		1.4		1.5		1.6		1.7		1.8		1.9		2	
	RPM	BHP	RPM	BHP	RPM	BHP	RPM	BHP	RPM	BHP	RPM	BHP	RPM	BHP	RPM	BHP
	5Hp STANDARD MOTOR & DRIVE															
6400	666	2.70	687	2.89	709	3.11	731	3.34	753	3.57	773	3.80	793	4.03	812	4.27
7200	693	3.48	713	3.72	736	3.94	756	4.17	774	4.39	793	4.62	813	4.86	833	5.12
8000	724	4.38	741	4.62	763	4.88	783	5.14	803	5.40	822	5.66	840	5.91	858	6.16
8800	763	5.51	778	5.75	797	5.99	814	6.24	831	6.50	849	6.79	869	7.07	887	7.28
9600	804	6.94	818	7.09	836	7.34	852	7.59	862	7.85	880	8.14	900	8.42	918	8.63

5Hp STANDARD MOTOR & HIGH STATIC DRIVE

7.5Hp OVER SIZE MOTOR & DRIVE

- Fan motor heat(MBH)= 3.1 x Fan Bhp
- Test Condition: ❶ Voltage : 380V
 ❷ Operating Mode: Fan operation mode with clean filter, dry coil, without electric heater.
- Do not operate the unit at a cooling airflow that is less then 350cfm/1.2MBH.

Table-13

Evaporator Fan Performance LK-2080CH (SI)

L/s	External Static Pressure(mm aq.)																								
	2.5		5.1		7.6		10.2		12.7		15.2		17.8		20.3		22.9		25.4		27.9		30.5		
	RPM	BkW	RPM	BkW	RPM	BkW	RPM	BkW	RPM	BkW	RPM	BkW	RPM	BkW	RPM	BkW	RPM	BkW	RPM	BkW	RPM	BkW	RPM	BkW	RPM
3020	-	-	-	-	-	-	-	-	477	0.88	502	1.00	526	1.13	549	1.25	573	1.39	598	1.55	620	1.72	644	1.86	
3398	-	-	-	-	-	-	497	1.25	522	1.40	545	1.54	567	1.66	589	1.80	610	1.95	638	2.09	649	2.25	671	2.42	
3776	-	-	488	1.49	517	1.66	544	1.84	568	2.01	590	2.18	611	2.33	631	2.48	651	2.62	670	2.77	687	2.94	706	3.10	
4153	507	2.03	538	2.16	565	2.35	590	2.54	614	2.73	636	2.93	656	3.11	675	3.28	694	3.45	712	3.60	728	3.77	745	3.94	
4531	559	2.79	587	2.91	613	3.16	637	3.36	660	3.57	682	3.79	702	4.00	721	4.21	739	4.39	756	4.57	772	4.75	787	4.93	

L/s	External Static Pressure(mm aq.)															
	33.0		35.6		38.1		40.6		43.2		45.7		48.3		50.8	
	RPM	BkW	RPM	BkW	RPM	BkW	RPM	BkW	RPM	BkW	RPM	BkW	RPM	BkW	RPM	BkW
3020	666	2.01	687	2.16	709	2.32	731	2.49	753	2.66	773	2.83	793	3.01	812	3.18
3398	693	2.6	713	2.77	736	2.94	756	3.11	774	3.27	793	3.45	813	3.62	833	3.82
3776	724	3.27	741	3.45	763	3.64	783	3.83	803	4.03	822	4.22	840	4.41	858	4.59
4153	763	4.11	778	4.29	797	4.47	814	4.65	831	4.85	849	5.06	869	5.27	887	5.43
4531	804	5.18	818	5.29	836	5.47	852	5.66	862	5.85	880	6.07	900	6.28	918	6.44

5Hp STANDARD MOTOR & HIGH STATIC DRIVE

7.5Hp OVER SIZE MOTOR & DRIVE

- Fan motor heat(kW)= 1.22 x Fan BkW
- Test Condition: ① Voltage : 380V
② Operating Mode: Fan operation mode with clean filter, dry coil, without electric heater.
- Do not operate the unit at a cooling airflow that is less then 350cfm/1.2MBH.

Table-14

Fan speed Data LK-2080CH

	6 Turn Open	5 Turn Open	4 Turn Open	3 Turn Open	2 Turn Open	1 Turn Open	0 Turn Open
Standard Motor & Drive Fan Speed	492	525	557	590	623	655	688
Standard Motor & High Static Drive Accessory Fan Speed	636	678	720	763	805	847	890
Over Size Motor & Drive Fan Speed	749	798	848	898	948	998	1048

- Factory set at 3 turns open.

Table-15**Accessory Static Pressure Drops**

Unit Model No.	cfm	L/s	Standard Filter		Electric Heater											
					5KW		9KW		10KW		15KW		18KW		36KW	
			in Aq	mm Aq	in Aq	mm Aq	in Aq	mm Aq	in Aq	mm Aq	in Aq	mm Aq	in Aq	mm Aq	in Aq	mm Aq
LK-0580HC	1600	755	0.03	0.76	0.02	0.51	-	-	0.02	0.51	0.03	0.76	-	-		
LK-0580CC	2000	944	0.05	1.27	0.03	0.76	-	-	0.04	1.02	0.06	1.52	-	-		
	2400	1130	0.07	1.78	0.04	1.02	-	-	0.05	1.27	0.09	2.29	-	-		
LK-0880HH	2340	982	0.04	1.02	-	-	0.01	0.25	-	-	-	-	0.02	0.51		
LK-0880CH	2600	1227	0.08	2.03	-	-	0.01	0.25	-	-	-	-	0.03	0.76		
	2860	1472	0.12	3.05	-	-	0.02	0.51	-	-	-	-	0.04	1.02		
LK-1080HH	2720	1284	0.06	1.52	-	-	0.01	0.25	-	-	-	-	0.07	1.78		
LK-1080CH	3420	1605	0.10	2.54	-	-	0.01	0.25	-	-	-	-	0.10	2.54		
	4080	1705	0.14	3.30	-	-	0.02	0.51	-	-	-	-	0.15	2.81		
LK-1580CH	4240	2001	0.06	1.52	-	-	-	-	-	-	-	-	0.04	1.02		
LK-1580HH	5300	2501	0.09	2.29	-	-	-	-	-	-	-	-	0.06	1.52		
	6360	3002	0.13	3.30	-	-	-	-	-	-	-	-	0.1	2.54		
LK-2080CH	6400	3020	0.07	1.78	-	-	-	-	-	-	-	-	-	0.07		
	8000	3776	0.1	2.57	-	-	-	-	-	-	-	-	-	0.13		
	9600	4531	0.14	3.56	-	-	-	-	-	-	-	-	-	0.17		

Table-16**Electric Heating Capacity**

MODEL	Total		No. of Stages	Stage 1		Stage 2	
	Input(KW)	Output(MBH)		Input(kw)	Output(MBH)	Input(kw)	Output(MBH)
LK-0580HC	5	17.07	1	5	17.07	-	-
LK-0580CC	10	34.14	1	10	34.14	-	-
	15	68.28	1	15	68.28	-	-
LK-0880HH	9	30.72	1	9	30.72	-	-
LK-0880CH	18	61.43	1	18	61.43	-	-
	36	122.86	2	18	61.43	18	61.43
LK-1080HH	9	30.72	1	9	30.72	-	-
LK-1080CH	18	61.43	1	18	61.43	-	-
	36	122.86	2	18	61.43	18	61.43
LK-1580CH	18	61.43	1	18	61.43	-	-
LK-1580HH	36	122.86	2	18	61.43	18	61.43
LK-2080CH	36	245.72	2	18	61.43	18	61.43

- Note:** 1. The output ratings shown above is at 240V.
 For other voltage, Output = Capacity Multiplier x Rated Output
 2. E/heater Voltage range is 380~415V.

< Correction Coefficient >

Voltage	Capacity Multiplier
380	0.84
400	0.92
415	1.0

Table-17**Air Temperature Rise Across Electric Heater(°F)**

Capacity	Stage	LK-0580HC/0580CC (2000CFM)	LK-0880HH/0880CH (2600CFM)	LK-1080HH/1080CH (3400CFM)	LK-1580CH/1580HH (5300CFM)	LK-2080B0CC (8000CFM)
5KW	1	7.9	-	-	-	-
9KW	1	-	10.9	14.3	-	-
10KW	1	15.8	-	-	-	-
18KW	1	-	21.9	28.5	10.7	-
36KW	2	-	32.7	42.9	21.5	14.2

- Temp. Rise across Electric Heater = $\frac{(KW \times 3413)}{(1.08 \times CFM)}$
- If you want to take temp rise at different airflow use above equation.

Electrical Requirements

Table-18

Electrical Data Unit wiring

Tons	MODEL	Unit Operating Voltage Range	Standard indoor fan motor			Oversized indoor fan motor		
			M.C.A.	M.F.S.	M.C.B	M.C.A.	M.F.S.	M.C.B
5	LK-0580HC	342~456	12.5	25	25	-	-	-
	LK-0580CC		12.5	25	25	-	-	-
7.5	LK-0880HH	342~456	20	25	25	23	25	25
	LK-0880CH		20	25	25	23	25	25
10	LK-1080HH	342~456	27	35	35	-	-	-
	LK-1080CH		30	35	35	-	-	-
15	LK-1580HH	342-456	40.6	60	60	43	60	60
	LK-1580CH		41.9	60	60	45	60	60
20	LK-2080CH	342-456	53.8	70	70	62	80	80

Table-19

Electrical Data Unit wiring with electric heater.

Tons	MODEL	Unit Operating Voltage Range	Standard indoor fan motor			Oversized indoor fan motor		
			M.C.A.	M.F.S.	M.C.B	M.C.A.	M.F.S.	M.C.B
LK-0580HC LK-0580CC	5	3Ø,380/415V, 50Hz	21	25	25	-	-	-
	10		28	35	35	-	-	-
LK-0880HH LK-0880CH	9	3Ø,380/415V, 50Hz	32.5	45	45	35.5	45	45
	18		45	60	60	48	60	60
	36		58	70	70	61	70	70
LK-1080HH	9	3Ø,380/415V, 50Hz	42.5	45	45	-	-	-
	18		55	60	60	-	-	-
	36		68	70	70	-	-	-
LK-1080CH	9	3Ø,380/415V, 50Hz	40.5	45	45	-	-	-
	18		52	60	60	-	-	-
	36		65	70	70	-	-	-
LK-1580CH	18	3Ø,380/415V, 50Hz	58	70	70	60	70	70
	36		71	90	90	73	90	90
LK-1580HH	18	3Ø,380/415V, 50Hz	58	70	70	60	70	70
	36		71	90	90	73	90	90
LK-2080HH	36	3Ø,380/415V, 50Hz	72	90	90	77	90	90

Note: Heater kW ratings are at 380/415 V unit.

Table-20**Electrical characteristics --- Evaporator Fan Motor --- 50 Hz**

MODEL	Standard evaporator fan motor						Oversized evaporator fan motor					
	No	volts	Phase	HP	FLA	LRA	No	volts	Phase	HP	FLA	LRA
LK-0580HC	1	380~415	3	0.75	1.9	2.5	-	-	-	-	-	-
LK-0580CC							-	-	-	-	-	
LK-0880HH	1	380~415	3	1.5	2.6	7.3	1	380~415	3	3	3.4	10.8
LK-0880CH							-	-	-	-	-	
LK-1080HH	1	380~415	3	3	3.4	10.8	-	-	-	-	-	-
LK-1080CH							-	-	-	-	-	
LK-1580HH	1	380~415	3	4	6.5	26	1	380~415	3	5	7.1	42
LK-1580CH							-	-	-	-	-	
LK-2080CH	1	380~415	3	5	7.1	42	1	380~415	3	7.5	11.2	63

Table-21**Electrical characteristics --- Compressor and Outdoor Fan Motor --- 50 Hz**

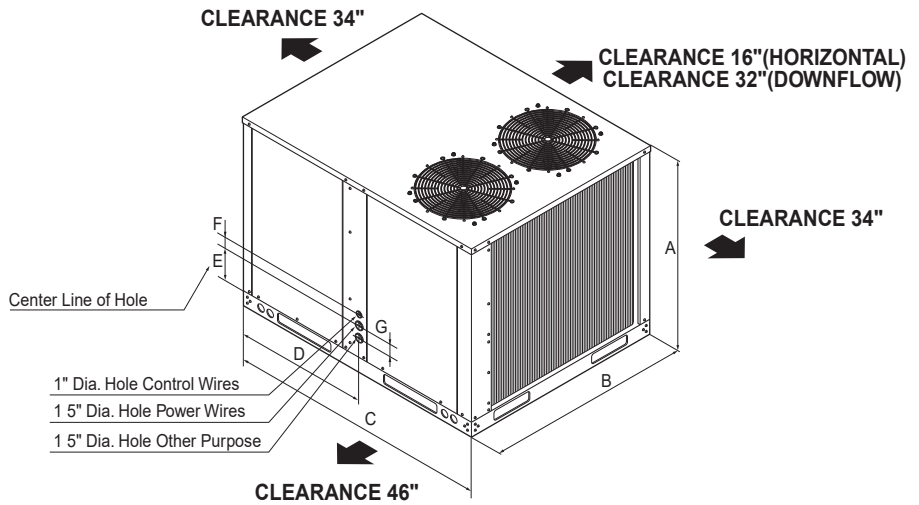
MODEL	Compressor						Outdoor Fan Motor					
	No	volts	Phase	HP	FLA	LRA	No	volts	Phase	HP	FLA	LRA
LK-0580HC	1	380~415	3	6	9.2	79	2	220~240	1	0.15	1.5	10.8
LK-0580CC							-	-	-	-	-	
LK-0880HH	1	380~415	3	8.5	15	115	1	220~240	1	1.3	6.2	19.5
LK-0880CH							380~415	3	0.5	1.5	2.3	
LK-1080HH	2	380~415	3	6	9.2	79	1	380~415	1	1.3	6.2	19.5
LK-1080CH							-	-	-	-	-	
LK-1580HH	2	380~415	3	8.5	15	115	1	220~240	1	1.3	6.2	19.5
LK-1580CH							380~415	3	0.5	1.5	2.3	
LK-2080CH	2	380~415	3	12	21.6	126	1	220~240	1	1.3	6.2	19.5

Dimensions

LK-0580CC/0580HC

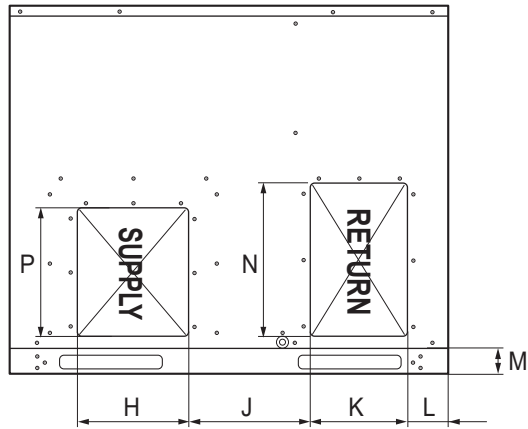
Unit: inch(mm)

UNITS	LK-0580CC/0580HC
A	41.93(1065)
B	43.70(1110)
C	50.39(1280)
D	29.49(749)
E	9.65(245)
F	2.36(60)
G	2.76(70)



Unit: inch(mm)

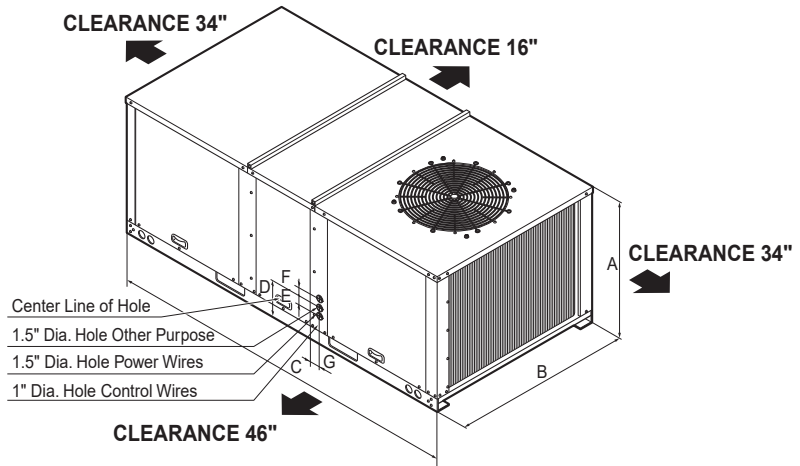
UNITS	LK-0580CC/0580HC
H	13.86(352)
J	9.21(234)
K	10.47(266)
L	3.86(98)
M	4.33(110)
N	22.28(566)
P	16.38(416)



LK-0880CH/0880HH

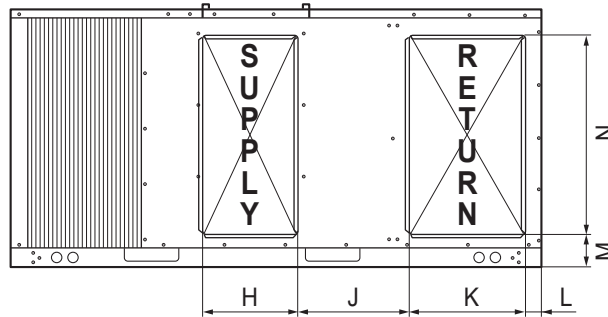
Unit: inch(mm)

UNITS	LK-0880CH/0880HH
A	35.04(890)
B	46.93(1159)
C	85.43(2170)
D	10.43(265)
E	2.76(70)
F	2.36(60)
G	3.54(90)



Unit: inch(mm)

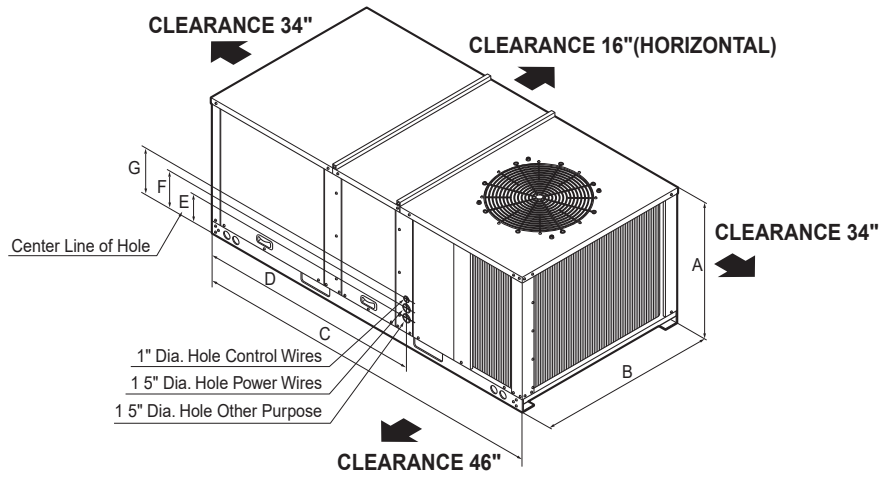
UNITS	LK-0880CH/0880HH
H	15.47(393)
J	16.18(411)
K	18.82(478)
L	2.40(61)
M	5.35(136)
N	26.89(683)



LK-1080CH/1080HH

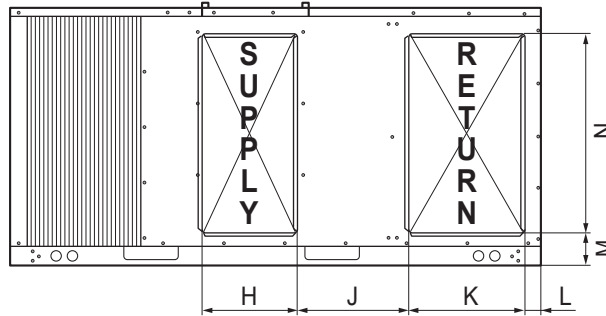
Unit: inch(mm)

UNITS	LK-1080CH/1080HH
A	41.34(1050)
B	48.89(1242)
C	85.43(2170)
D	55.0(1397)
E	6.10(155)
F	8.46(215)
G	10.43(265)



Unit: inch(mm)

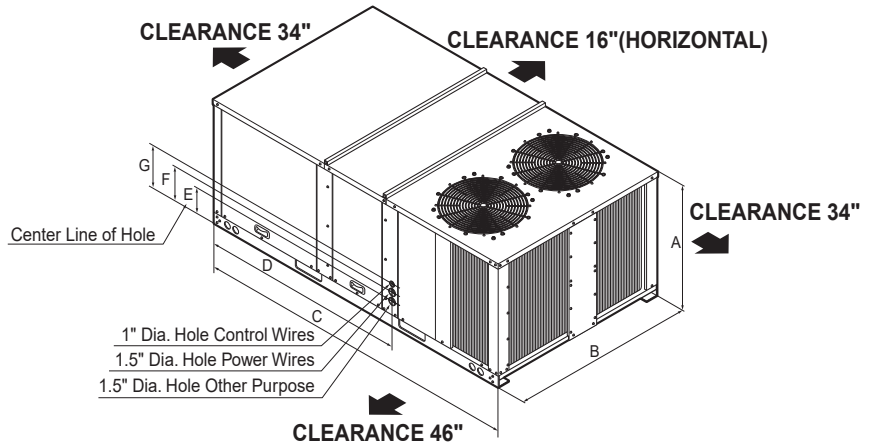
UNITS	LK-1080CH/1080HH
H	16.06(408)
J	14.02(356)
K	20.16(512)
L	2.44(62)
M	2.01(51)
N	34.33(872)



LK-1580CH/1580HH

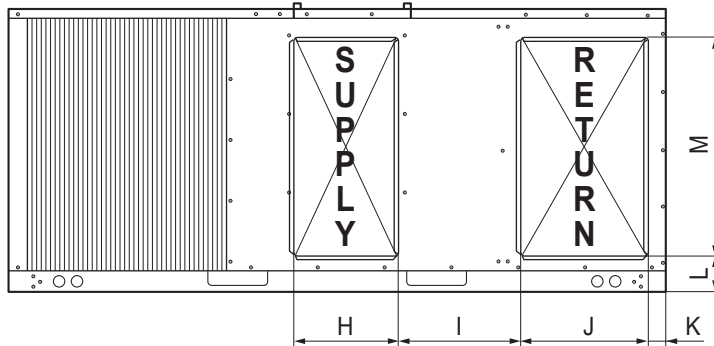
Unit: inch(mm)

UNITS	LK-1580CH/1580HH
A	47.44(1205)
B	69.53(1766)
C	95.98(2438)
D	63.11(1603)
E	6.29(160)
F	8.66(220)
G	11.02(280)



Unit: inch(mm)

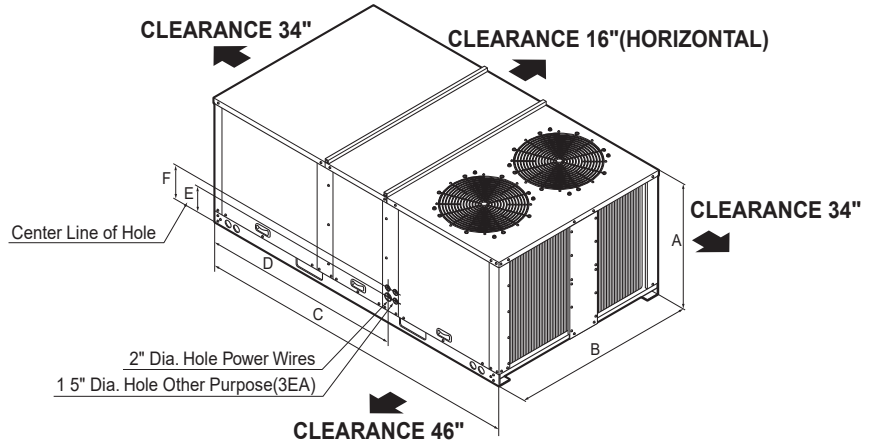
UNITS	LK-1580CH/1580HH
H	24.53(623)
I	9.17(233)
J	24.53(623)
K	2.36(60)
L	5.08(129)
M	40.24(1022)



LK-2080CH

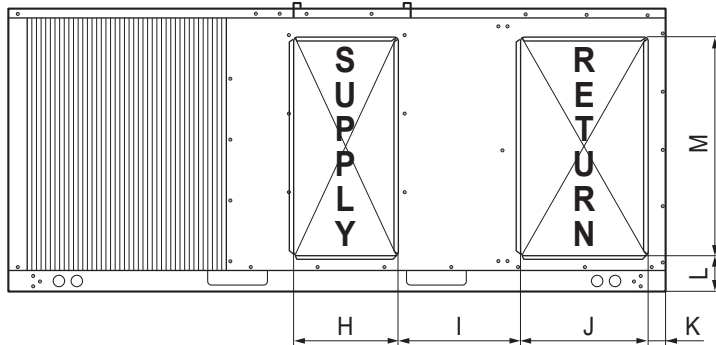
Unit: inch(mm)

UNITS	LK-2080CH
A	65.35(1660)
B	74.02(1880)
C	109.21(2774)
D	69.69(1770)
E	7.68(195)
F	11.89(302)

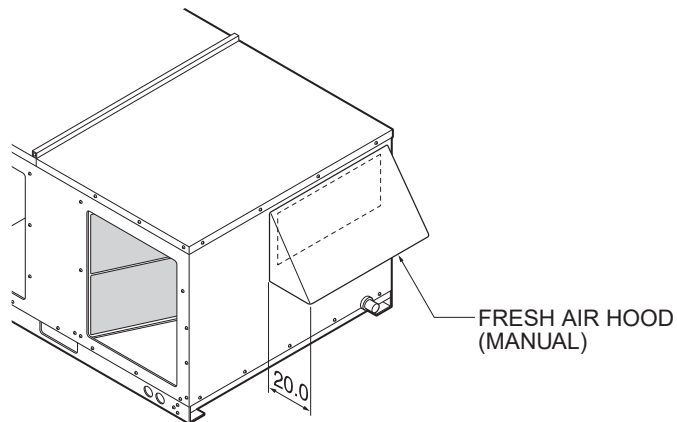


Unit: inch(mm)

UNITS	LK-2080CH
H	25.57(649.5)
I	15.28(388)
J	27.34(694.5)
K	2.40(61)
L	6.10(155)
M	57.09(1450)



7.5~10 Ton Accessories

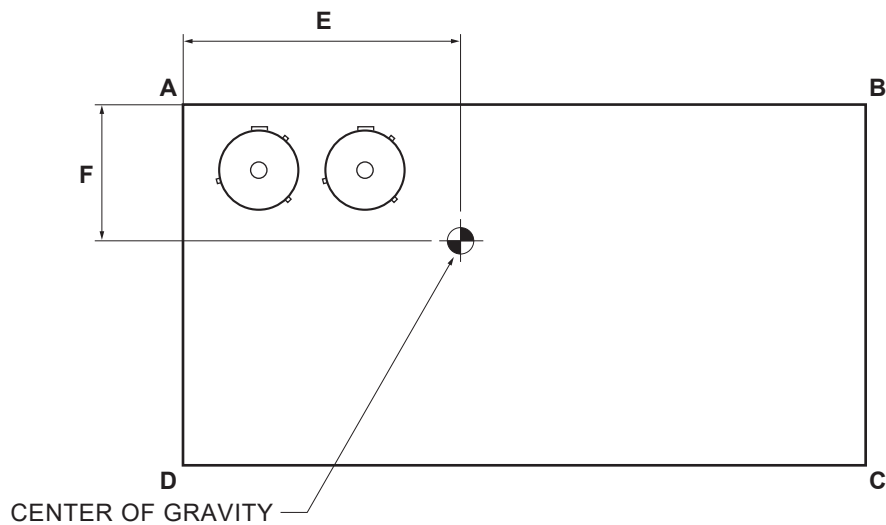


Weights

Maximum Unit and Corner Weights (Lbs) and Center of Gravity Dimensions (In.)

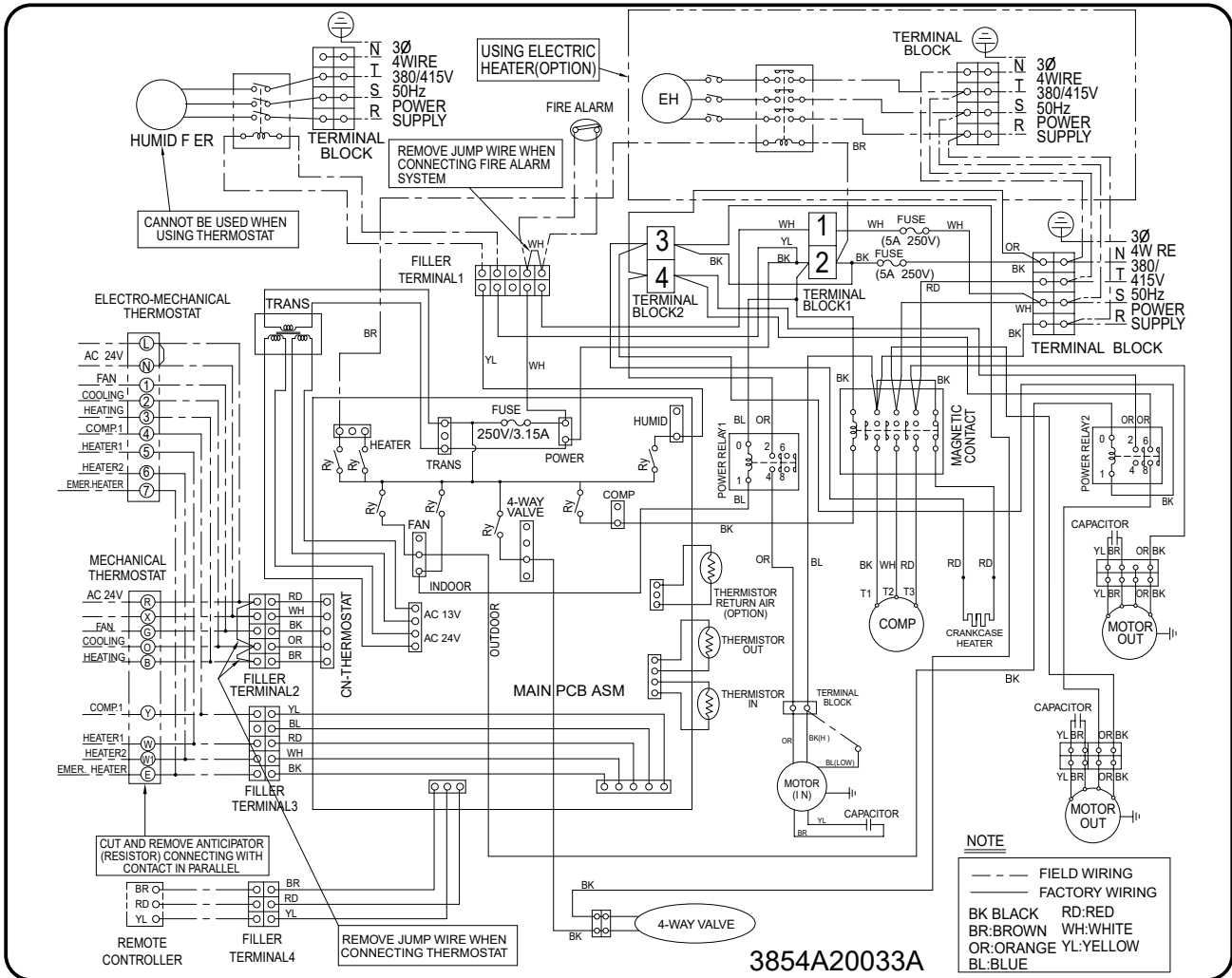
Tons	Unit Model No.	Maximum Weights (lbs)		Corner Weights (lbs)				Center of Gravity (In.)	
		Shipping ²	Net	A	B	C	D	E	F
5	LK-0580HC LK-0580CC	540	485	165	124	91	106	28	19
7.5	LK-0880HH LK-0880CH	772	617	209	161	116	132	38	17
10	LK-1080HH LK-1080CH	970	772	261	197	145	168	37	20
15	LK-1580CH LK-1580HH	1,410	1,168	410	297	211	251	40	28
20	LK-2080CH	2,171	1,808	639	438	320	411	43	31

Note: 1. Corner weights are given for information only.
2. Weights are approximate.

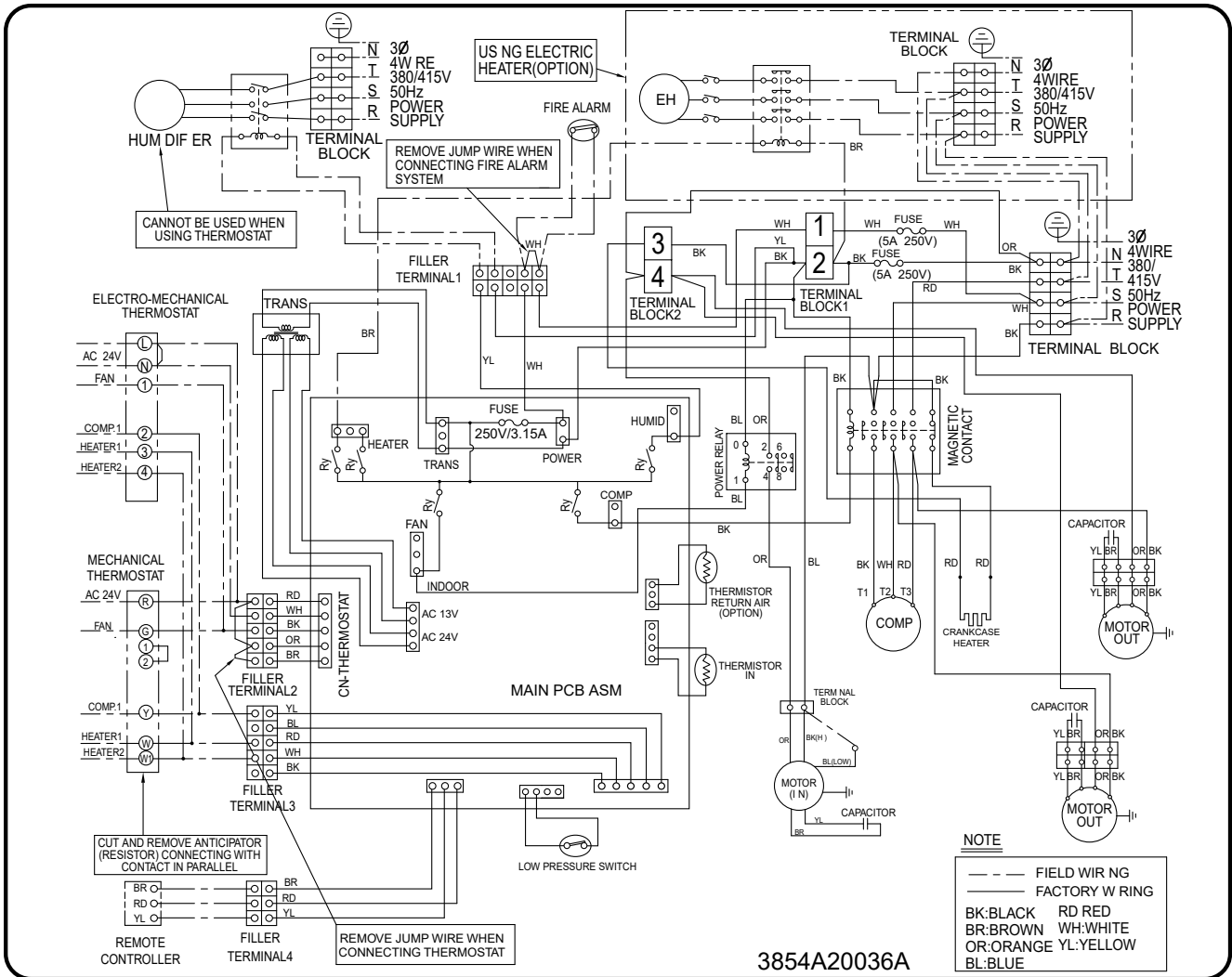


Wiring Diagram

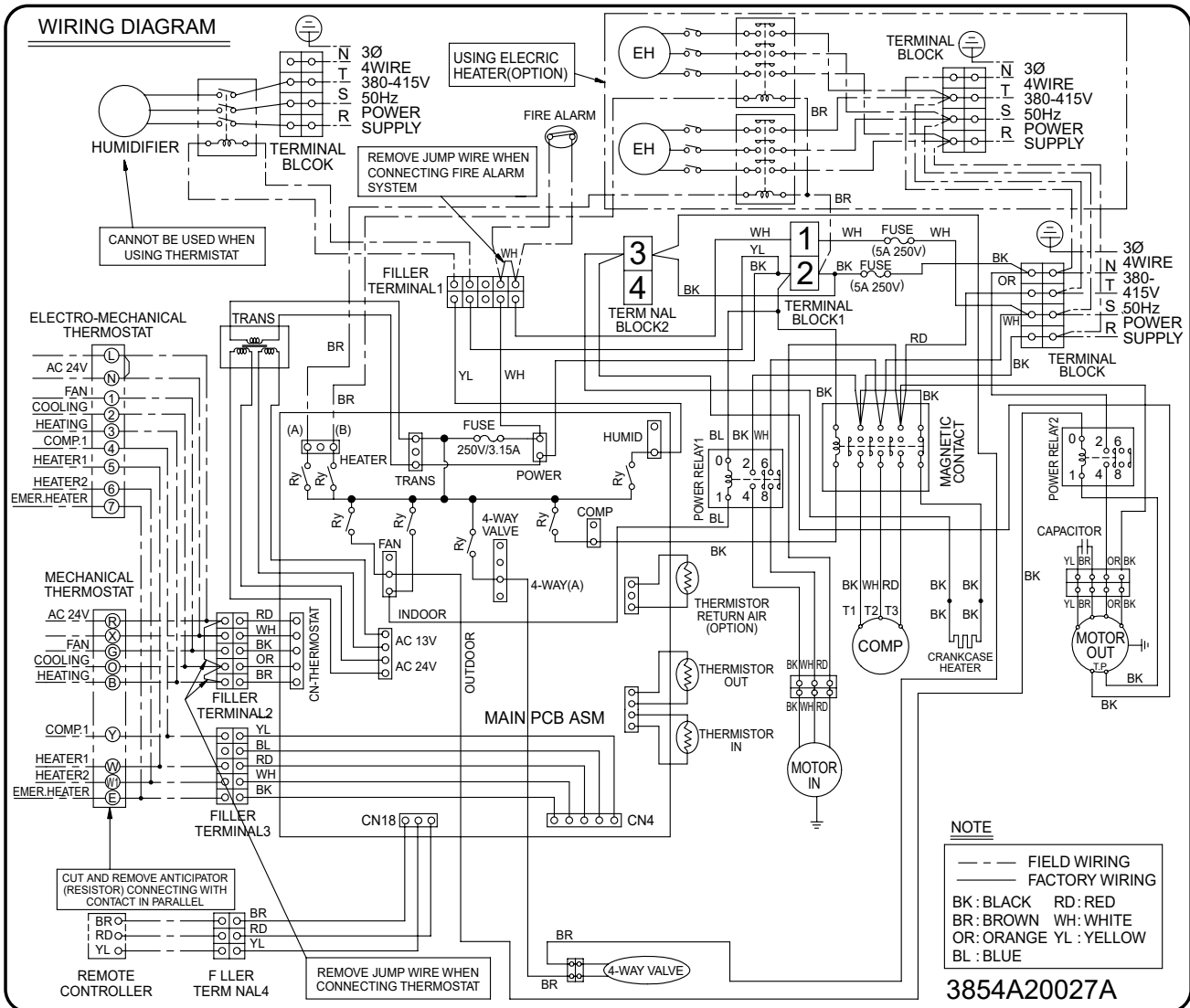
LK-0580HC



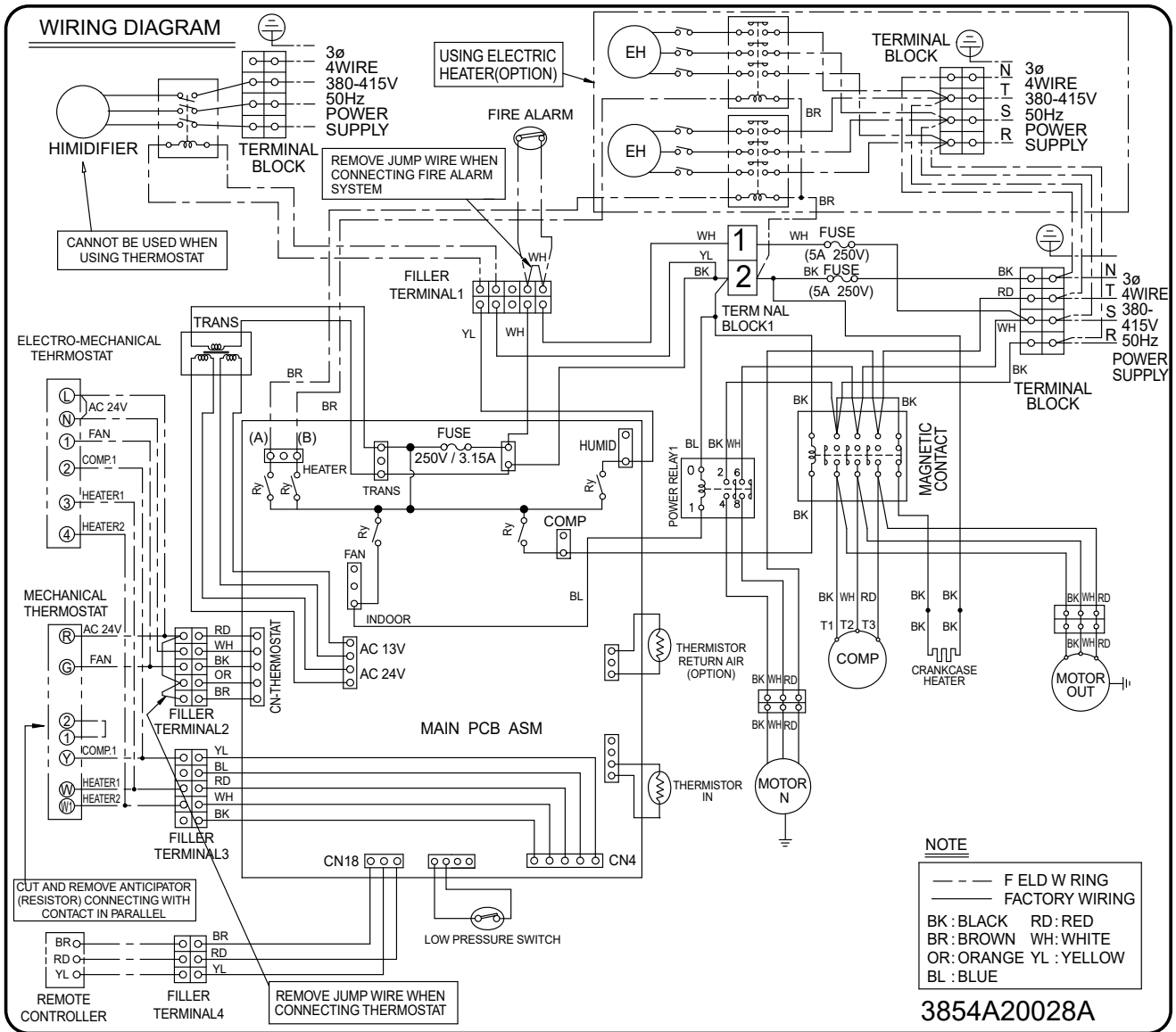
LK-0580CC



LK-0880HH

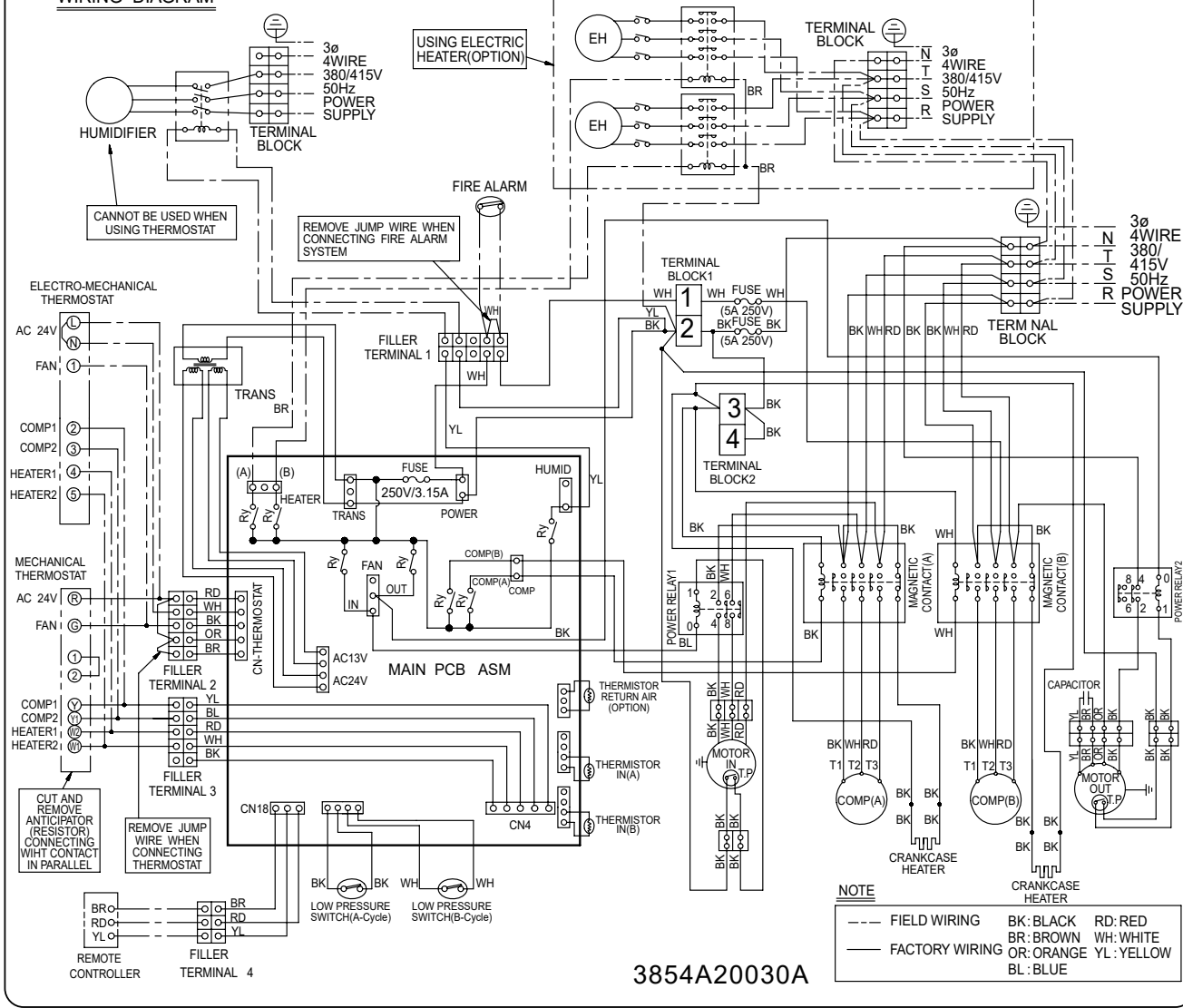


LK-0880CH



LK-1080CH

WIRING DIAGRAM

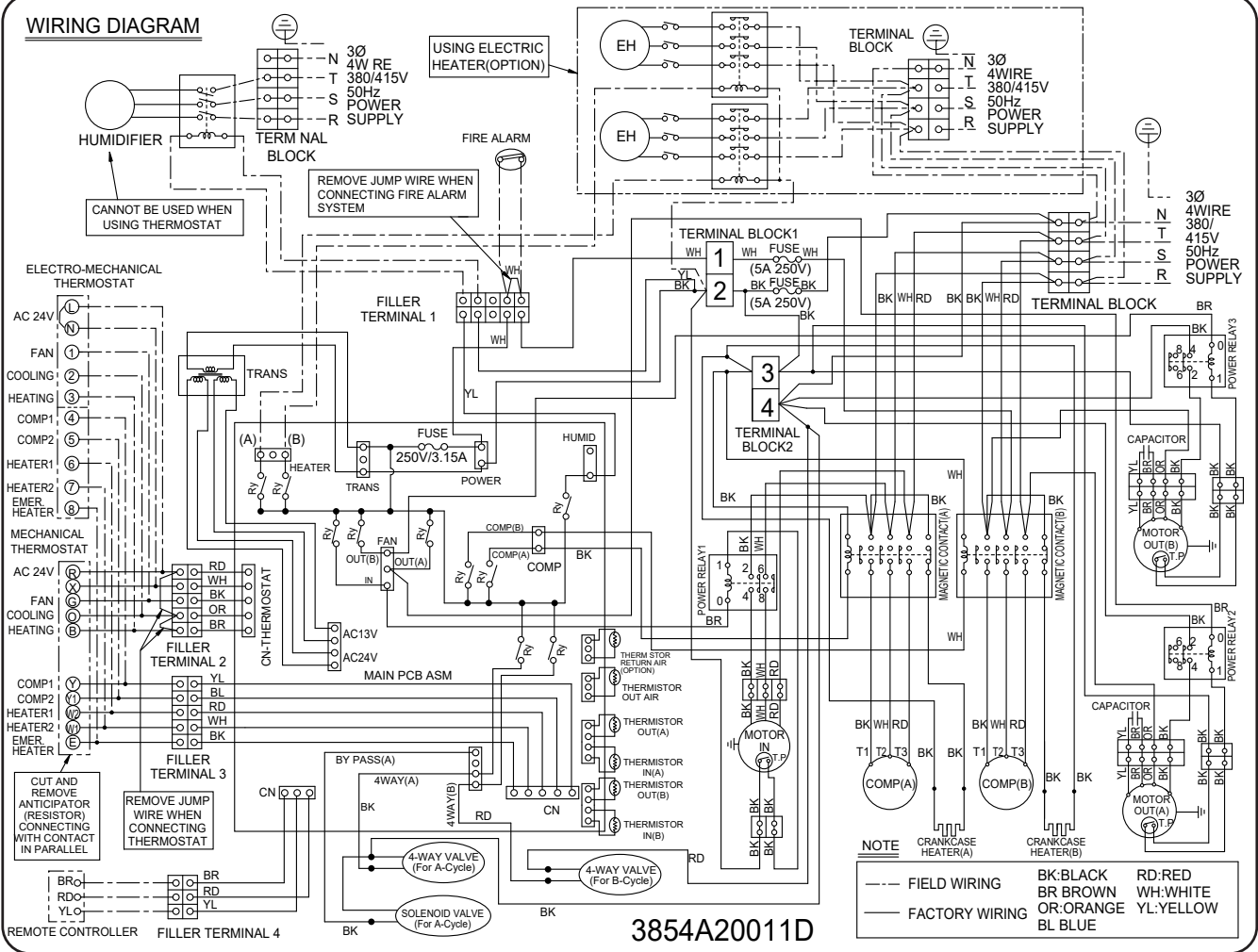


3854A20030A

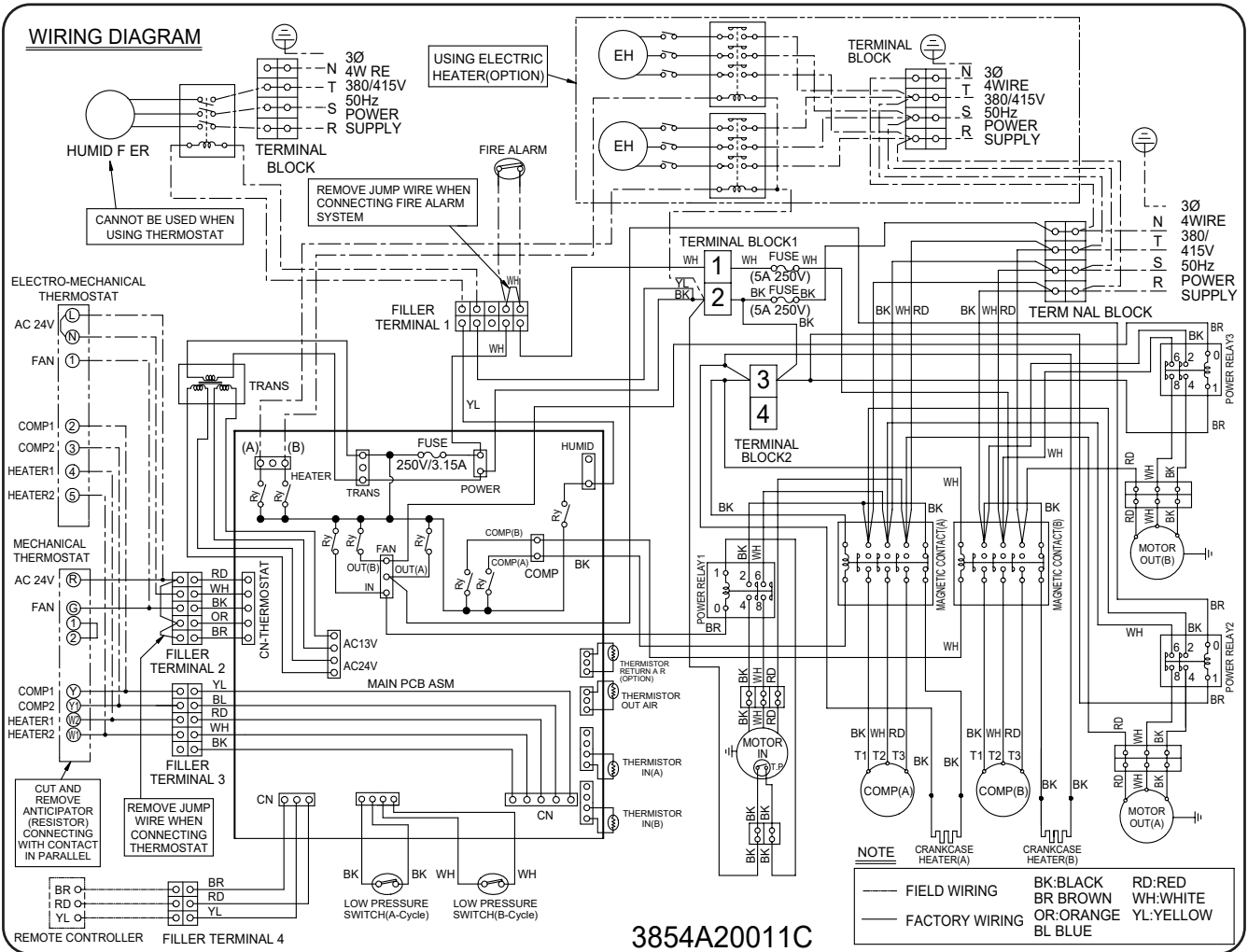
NOTE
 --- FIELD WIRING BK: BLACK RD: RED
 --- FACTORY WIRING BR: BROWN WH: WHITE
 OR: ORANGE YL: YELLOW
 BL: BLUE

LK-1580HH

WIRING DIAGRAM

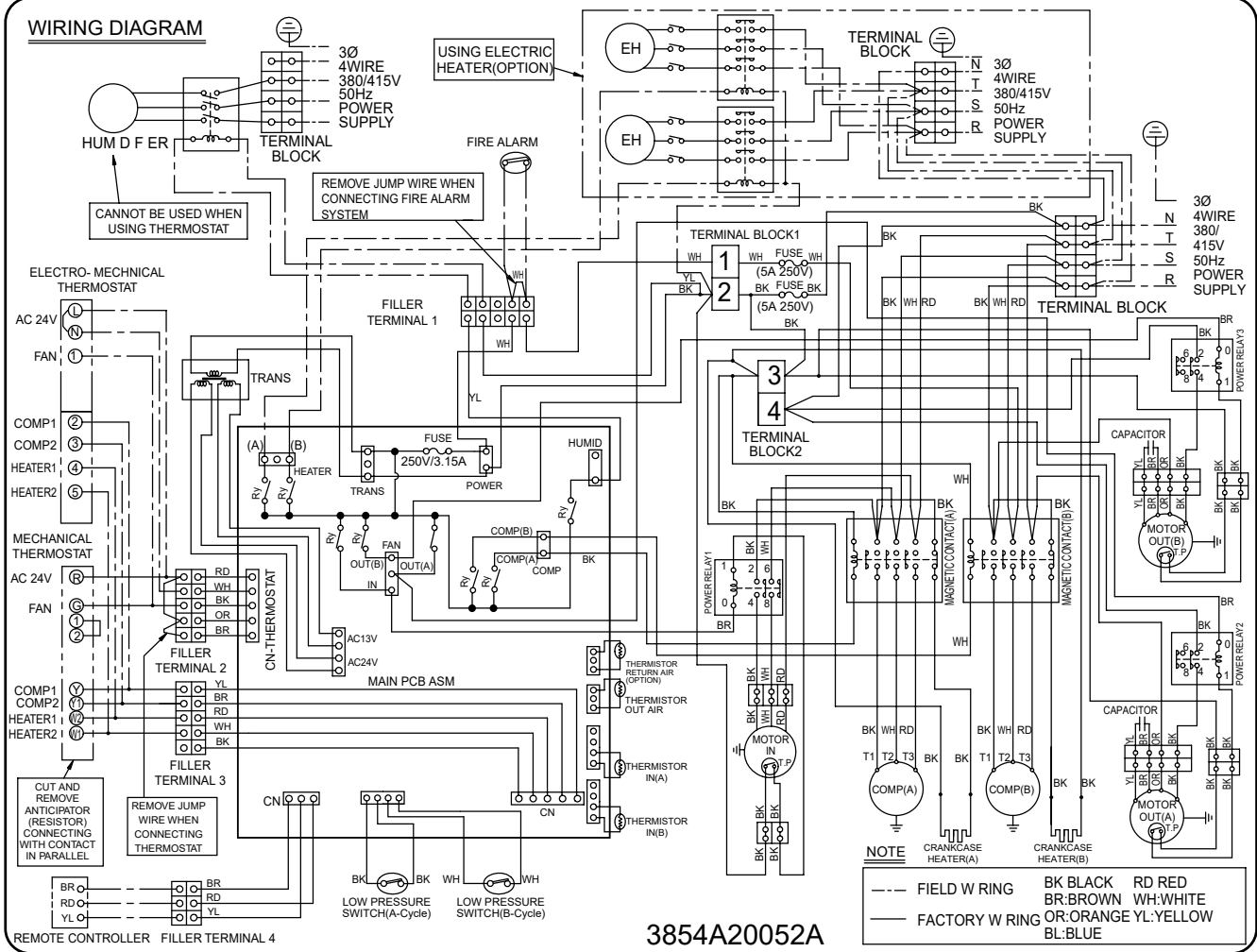


LK-1580CH



LK-2080CH

WIRING DIAGRAM



Troubleshooting Guide

PACKAGE AIR CONDITIONER VOLTAGE LIMITS

NAME PLATE RATING	MINIMUM	MAXIMUM
380 - 415V	342V	456V

1. No cooling and heating operation performed

1) Both the blower and the compressor do not work

WHAT TROUBLED	COMPLAINTS	HOW TO CHECK	REMEDY
Other parts except the unit	<ul style="list-style-type: none"> • Electric supply interrupted • Defective power wiring • Cut off power fuse 	Measure power supply with a tester in case that the same power source is supplied to other equipment except the unit, what and where troubled can be discovered by checking the operation of other equipment.	<ul style="list-style-type: none"> • Repair a switch box and relative instrument. • Replacement of fuse • Request a power supplier to repair.
	Too low voltage	Measure it with a tester.	Check the power source. Use a thick cable if necessary.
Magnetic switch for compressor & fan motor	Control point is on condition of "OFF" due to trouble.	Make short-circuit, then measure it with tester.	Replace it if necessary.
Operating switch	Troubled or defective contactor	Check it with the eyes or tester.	Repair or replace it.

2) Only Indoor blowers do not work

WHAT TROUBLED	COMPLAINTS	HOW TO CHECK	REMEDY
Motor	<ul style="list-style-type: none"> • Over heated • Wiring short 	Check it with tester	Repair or replace it.
Electric wiring	<ul style="list-style-type: none"> • Cut- OFF of wiring • Short circuited on operation 	Check it with a tester.	Rewiring or Repair.

3) Only outdoor fan does not work

WHAT TROUBLED	COMPLAINTS	HOW TO CHECK	REMEDY
Motor	<ul style="list-style-type: none"> • Over-heated • Wire short 	Check how it is insulated.	Repair or replace it.
Electric Wiring	Cut off of wiring	Check it with a tester.	Rewiring or repair.
	Short circuited on operation		
Capacitor	Defected	Check it with tester.	Replace it.

4) Only compressor does not work

WHAT TROUBLED	COMPLAINTS	HOW TO CHECK	REMEDY
Magnetic switch for compressor motor	Defective contact, magnetic coil troubled.	Check it with the eyes on with a tester.	Repair or replace it.
Compressor motor	Troubled over-heated (layer short)	Check how it is insulated.	Replace or repair the compressor.
High pressure switch (Option part)	Troubled or defective contact or operating	Check it with a tester.	Replace it if necessary.
Electric circuit	Defective connection or disconnection of the circuit for compressor.	Check it with a tester.	Rewiring or push reset button.

2. The Units discontinue after the operation started

WHAT TROUBLED	COMPLAINTS	HOW TO CHECK	REMEDY
Outdoor coil	Coil is dirty *1	Checking	Wash it by means of something like chemical washing.
In-condensable gas blended.	Air intruded into the refrigerant pipe line *1	In the event that difference between the saturating temperature corresponding to high pressure and the temperature of air discharged from the outdoor coil is more than 15°C, incondensable gas may be blended.	Extract air by vacuum pump, then replenish (charge) the refrigerant.
High pressure switch (Option part)	Improper adjustment	Check it with a pressure gauge.	Read just it to normal operating pressure. (Note) Don't alternate the specified adjusting pressure. If the adjusted pressure exceed the specified range, it will cause a great accident.
Refrigerant	A shortage of refrigerant amount. * 2	Check pressure	Replenish the refrigerant. Repair the spot where it is leaked.
Outdoor Fan	Reverse rotation of fan Obstacle Air short circuit *1	Confirm the wind blowing out upward. Check it with eyes.	If reversed, connect interchanged wires to each terminal. Power wirings.

Note: Use an appropriate measuring instrument for readjustment.

*1: High-pressure switch moves.

*2: Low- pressure switch moves.

3. The unit is working, but not cooling and heating sufficiently (Both blower and compressor are working)

WHAT TROUBLED	COMPLAINTS	HOW TO CHECK	REMEDY
Load	Much Cooling or Heating load	Heat load increased. Window or door has many cracks or gaps.	Do necessary disposal respectively.
Air flow	Obstacle disturbs Intake of uniform airflow.	Checking	Correct it.
Short air volume	Reverse rotation of blower.	Checking	Correct it.
Refrigerant	Shortage in the charged refrigerant.	Coil inlet pipe is frosted	Recharge it. (Repair the leakage spot).
Air passage	Improper or foreign bodies	Checking	Correct or clear the foreign bodies.
Air filter	Clogged with dust	Checking	Cleaning

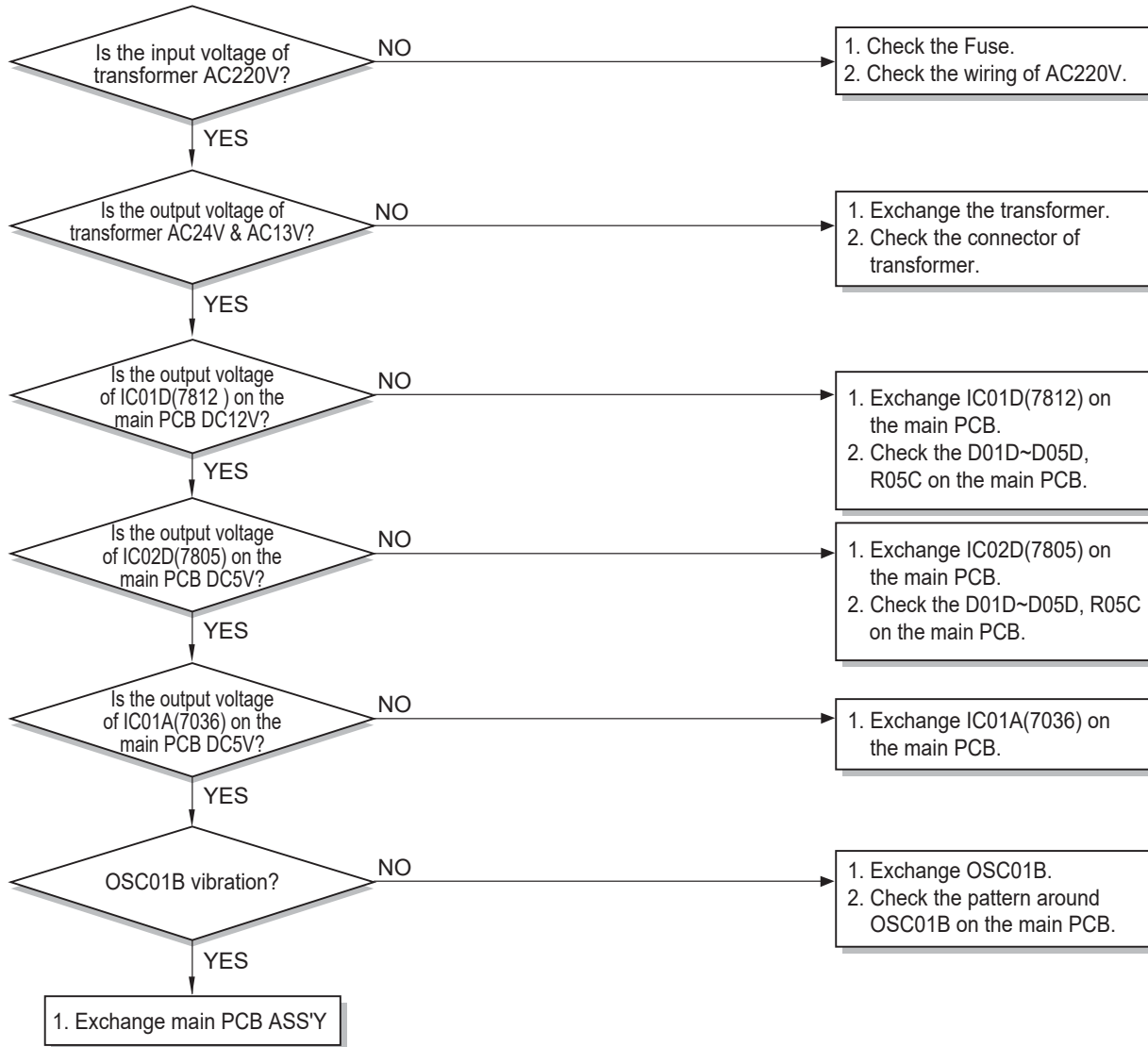
4. All the functions are performed as specified, but very noisy and vibrant

WHAT TROUBLED	COMPLAINTS	HOW TO CHECK	REMEDY
Compressor	Liquid refrigerant flooding back from the evaporator.	<ul style="list-style-type: none"> • Check for refrigerant over-charge. • Check to see if the intake air temperature is extremely cold. • Check for insufficient air flow quantity. 	
	Faulty Discharge valve and suction valve.	• Checking	• Replace the compressor
Blower	Fan broken. Foreign matters intruded.	Checking	Repair or replace it. Clear the foreign bodies.
Screws	Looseness or fail-off of screws	Checking	Correct
Electric troubles (Magnetic contactor)	Defective contact. Defective contact point. Rusting and foreign matters in the iron core contact face. Defective contact of the operating switch.	Checking	Repair and clean or replace it.
Others	Improper installation	Checking	Correct it.

Electronic parts Troubleshooting Guide

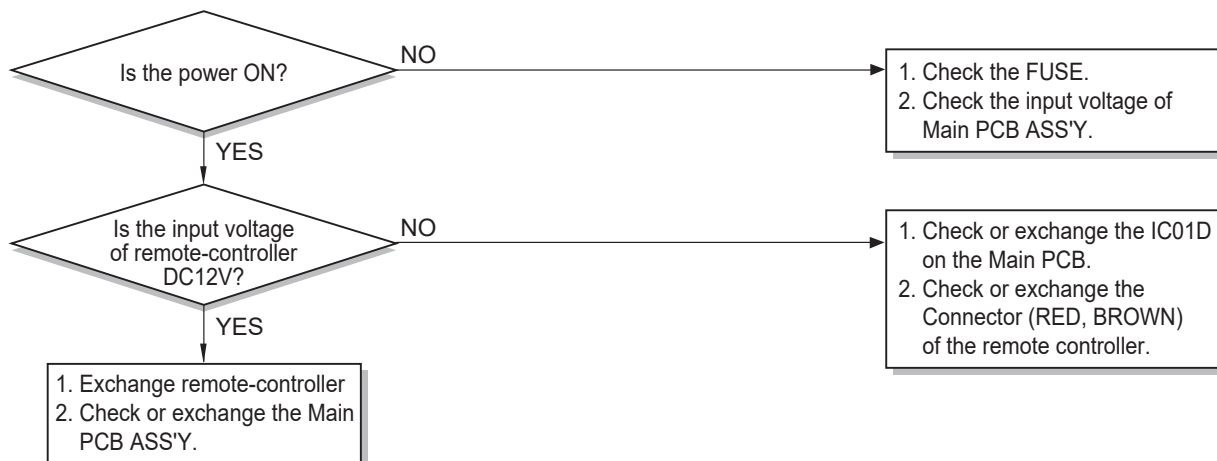
Possible trouble 1

: The unit does not operate.



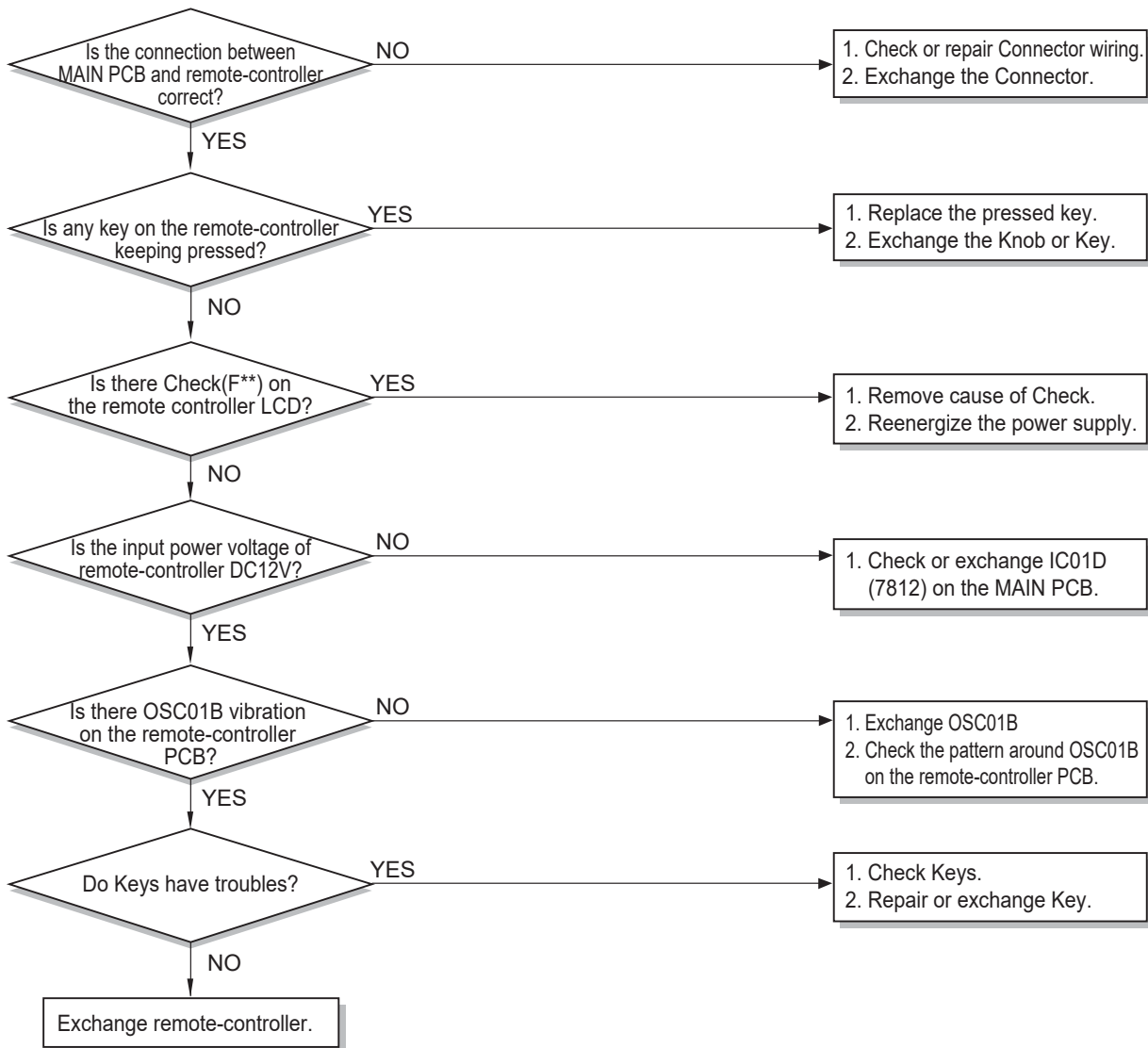
Possible trouble 2

: The remote-controller does not operate.



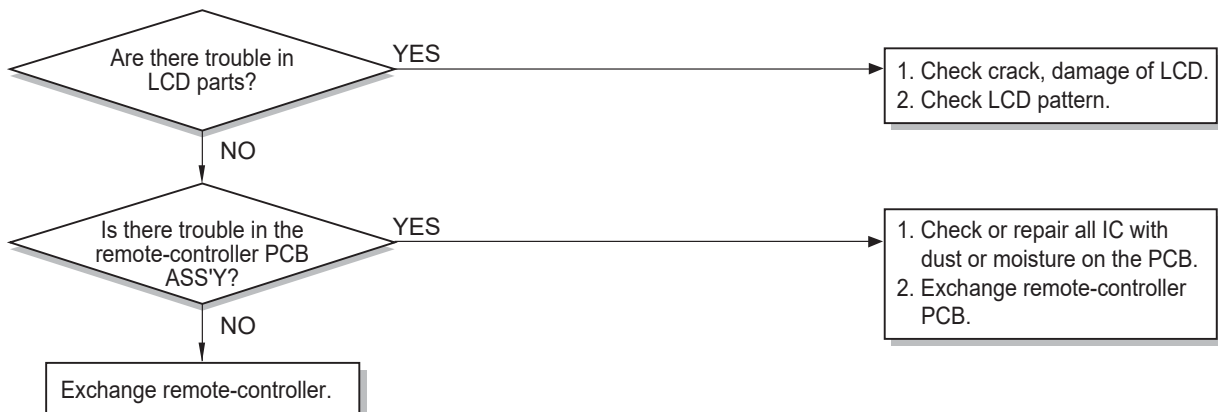
Possible trouble 3

: Key input of remote-controller does not respond.



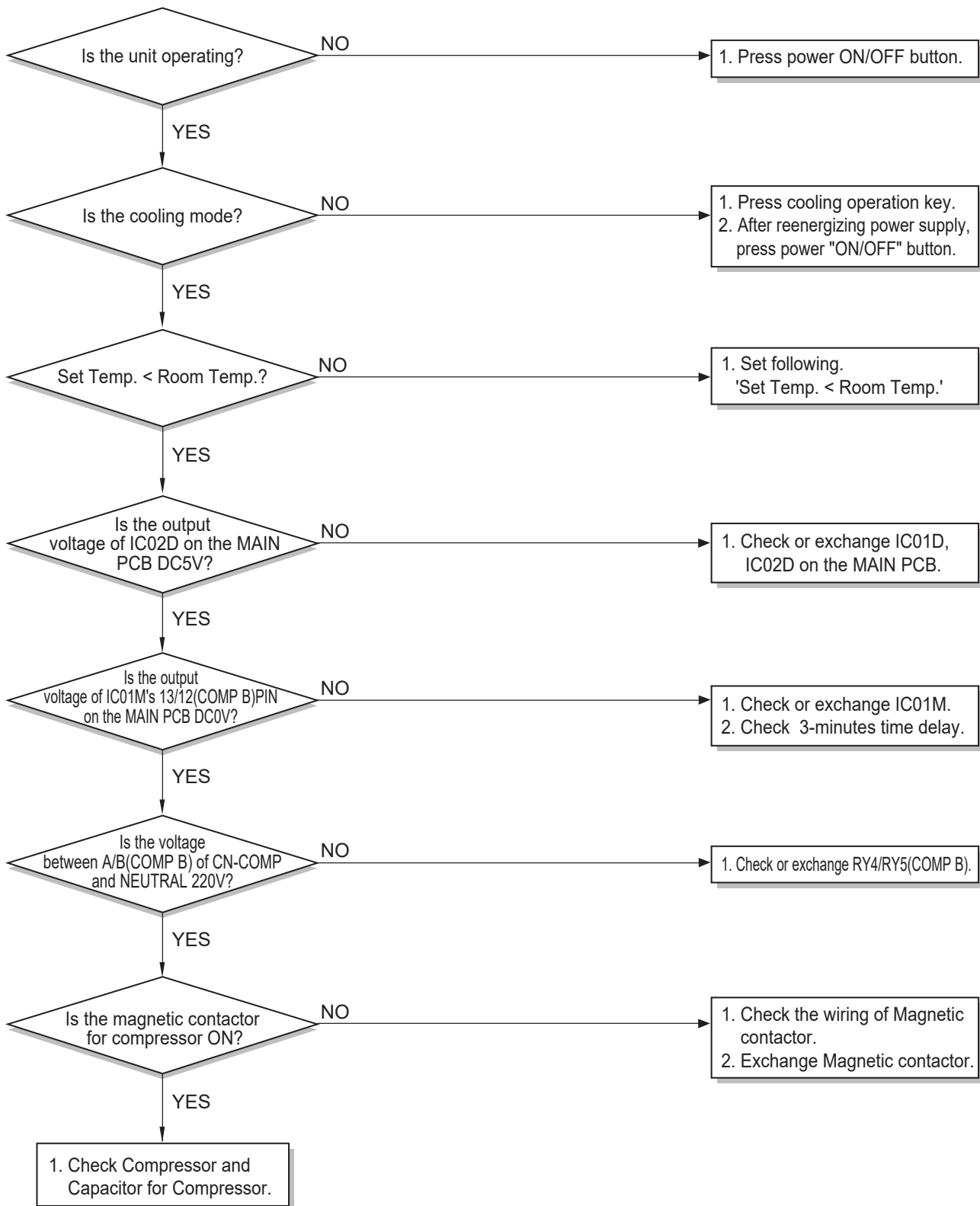
Possible trouble 4

: LCD display on the remote-controller shows some trouble.



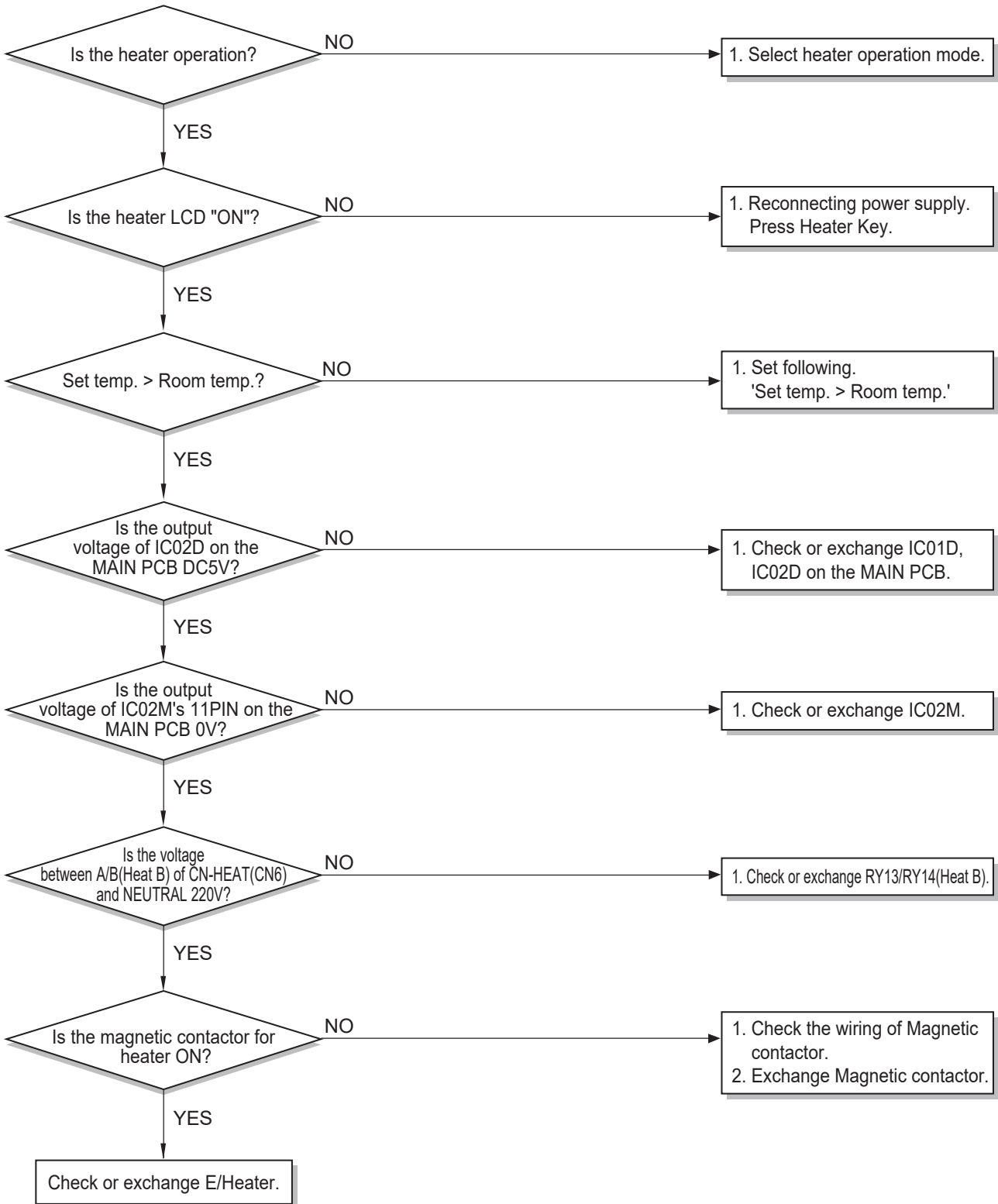
Possible trouble 5

: No cooling operation performed.

**NOTE:** 3ø model has not capacitor for compressor.

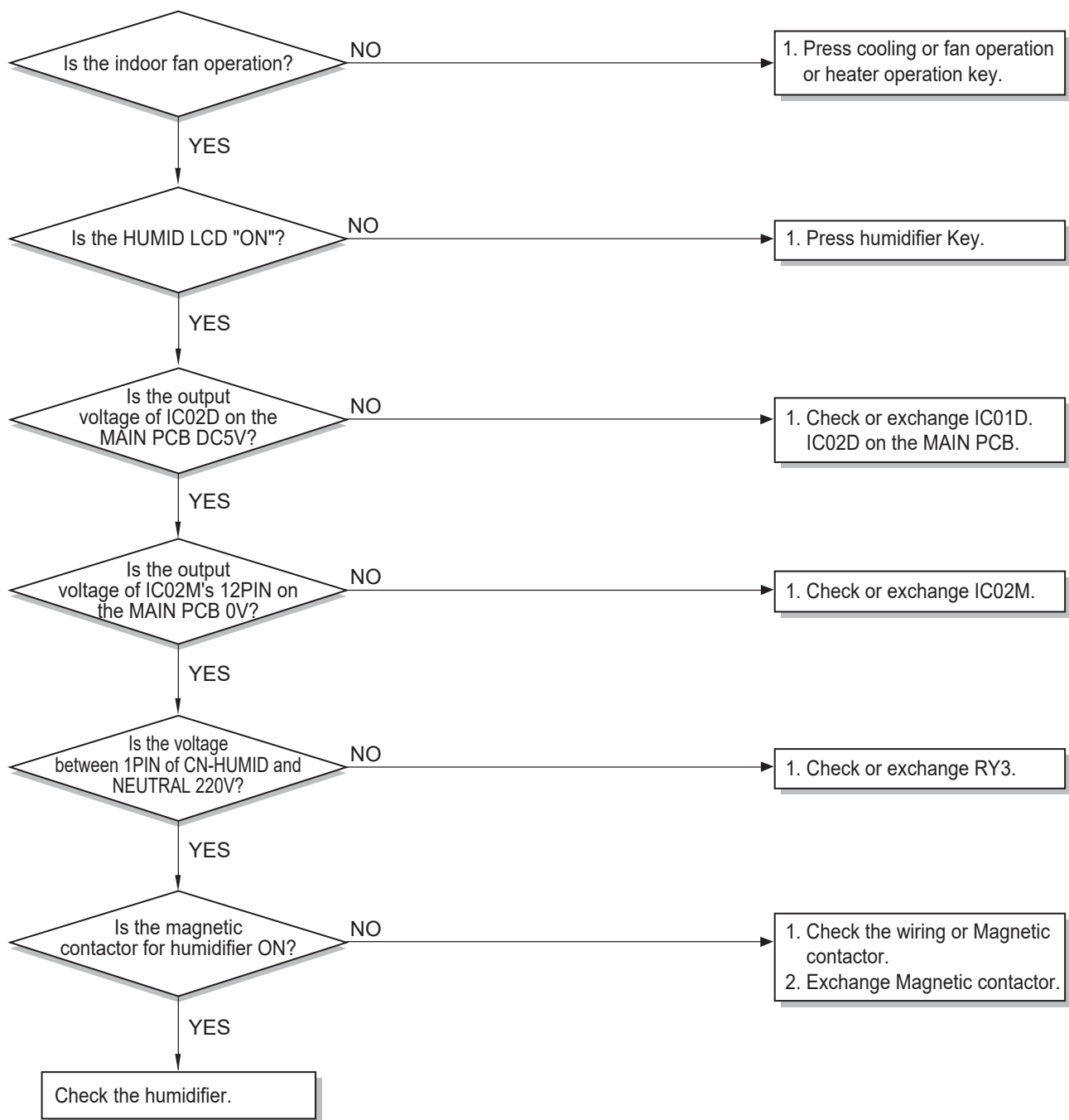
Possible trouble 6

: No heater operation performed.



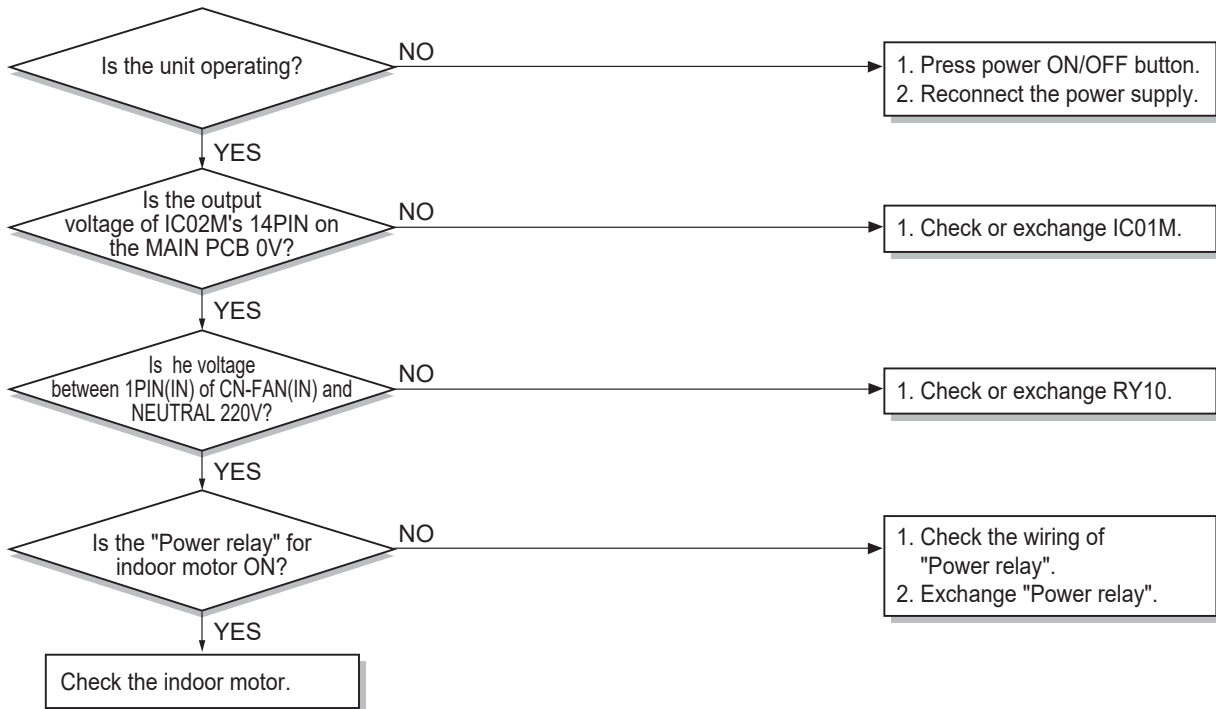
Possible trouble 7

: No humidifier operation performed.



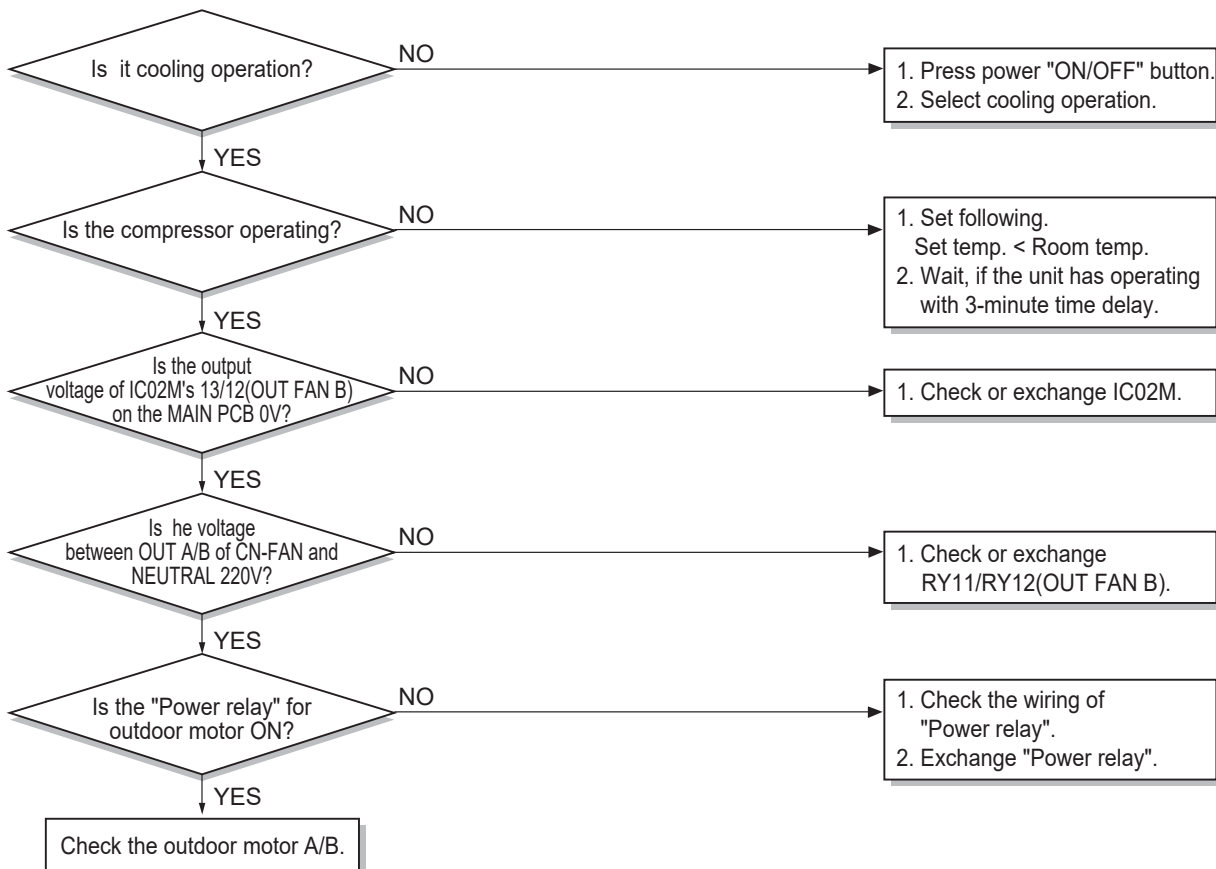
Possible trouble 8

: Indoor motor does not operate.



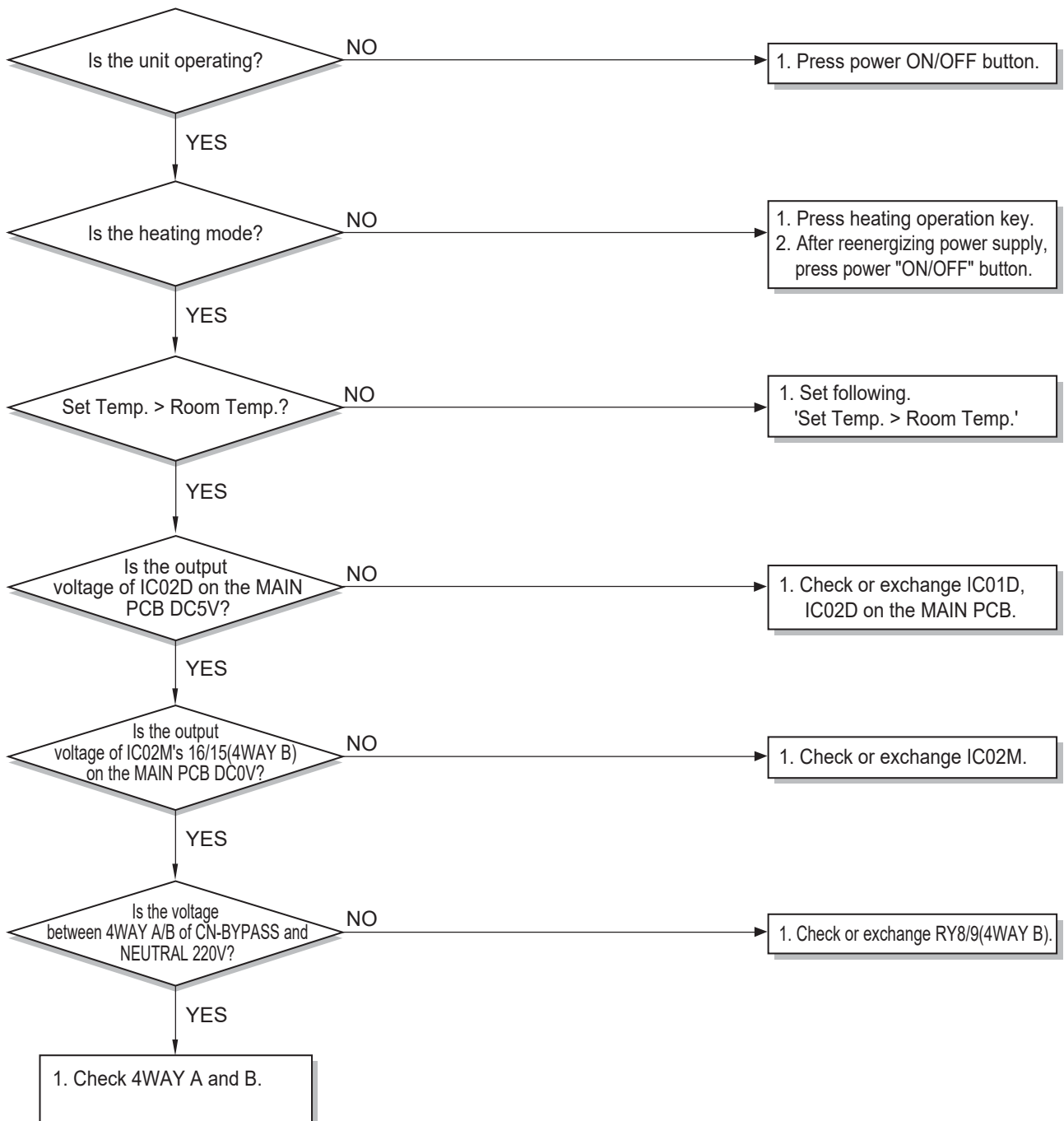
Possible trouble 9

: Outdoor motor does not operate.



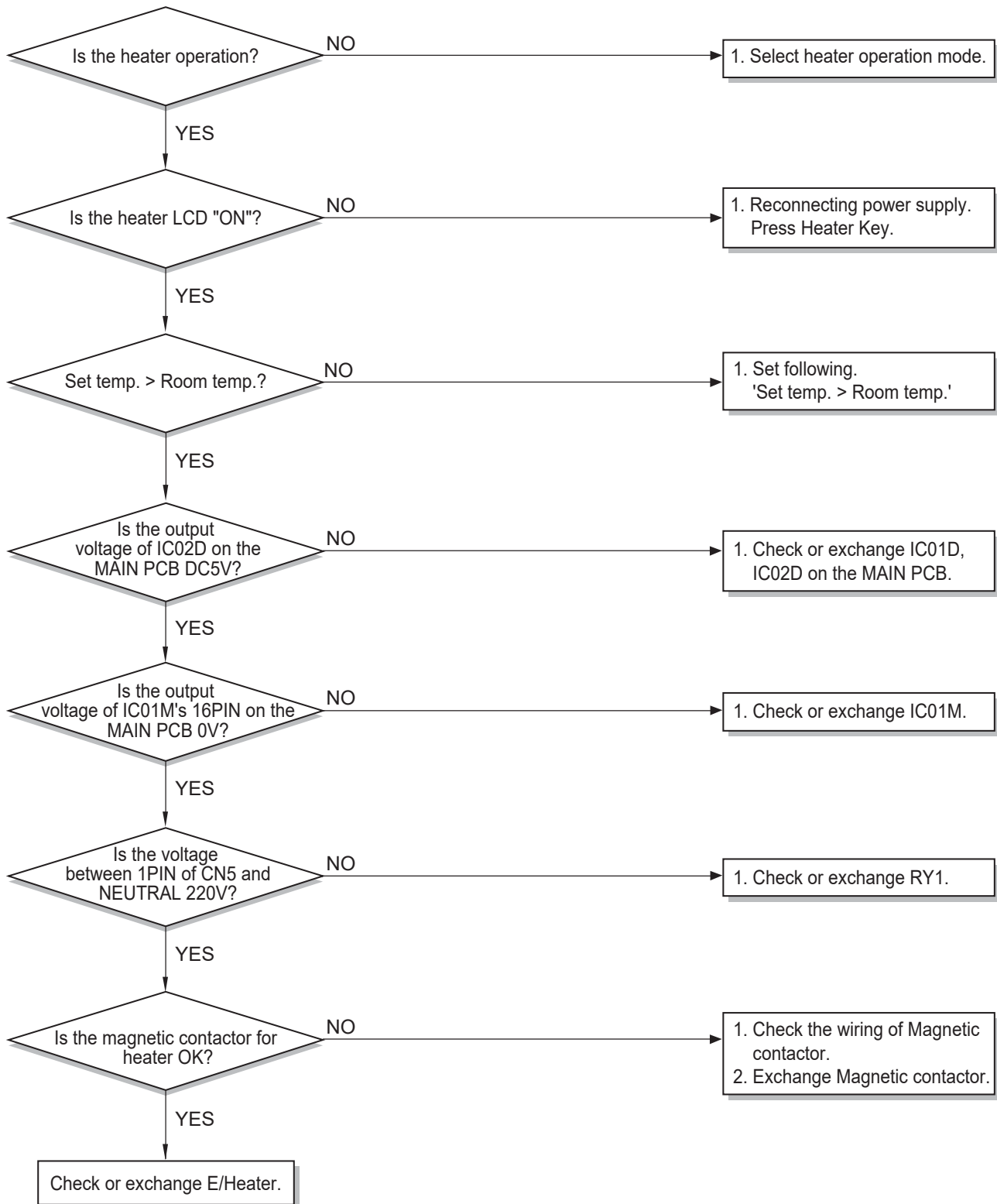
Possible trouble 10

: No heating operation performed.



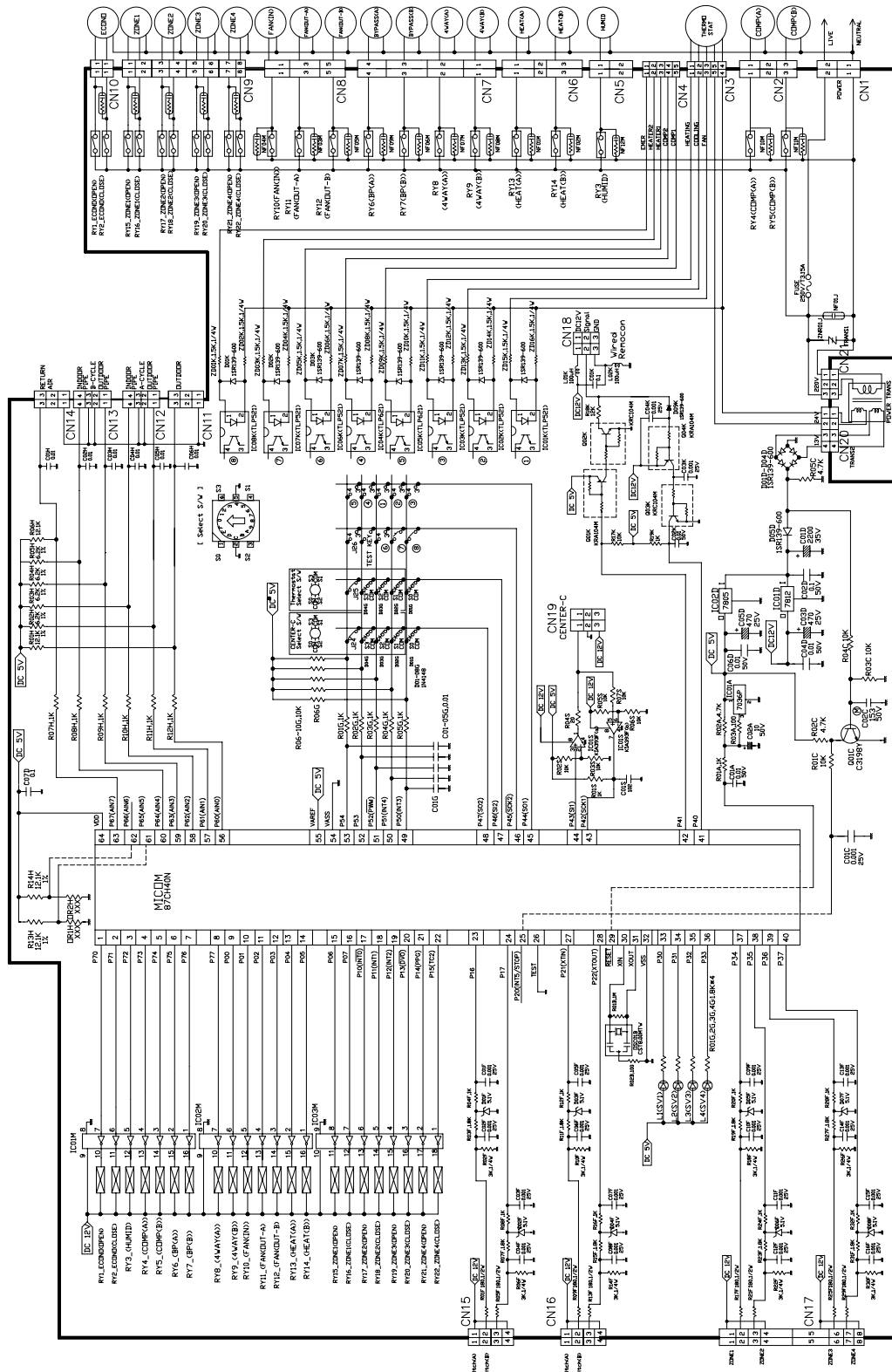
Possible trouble 11

: No heater operation performed.

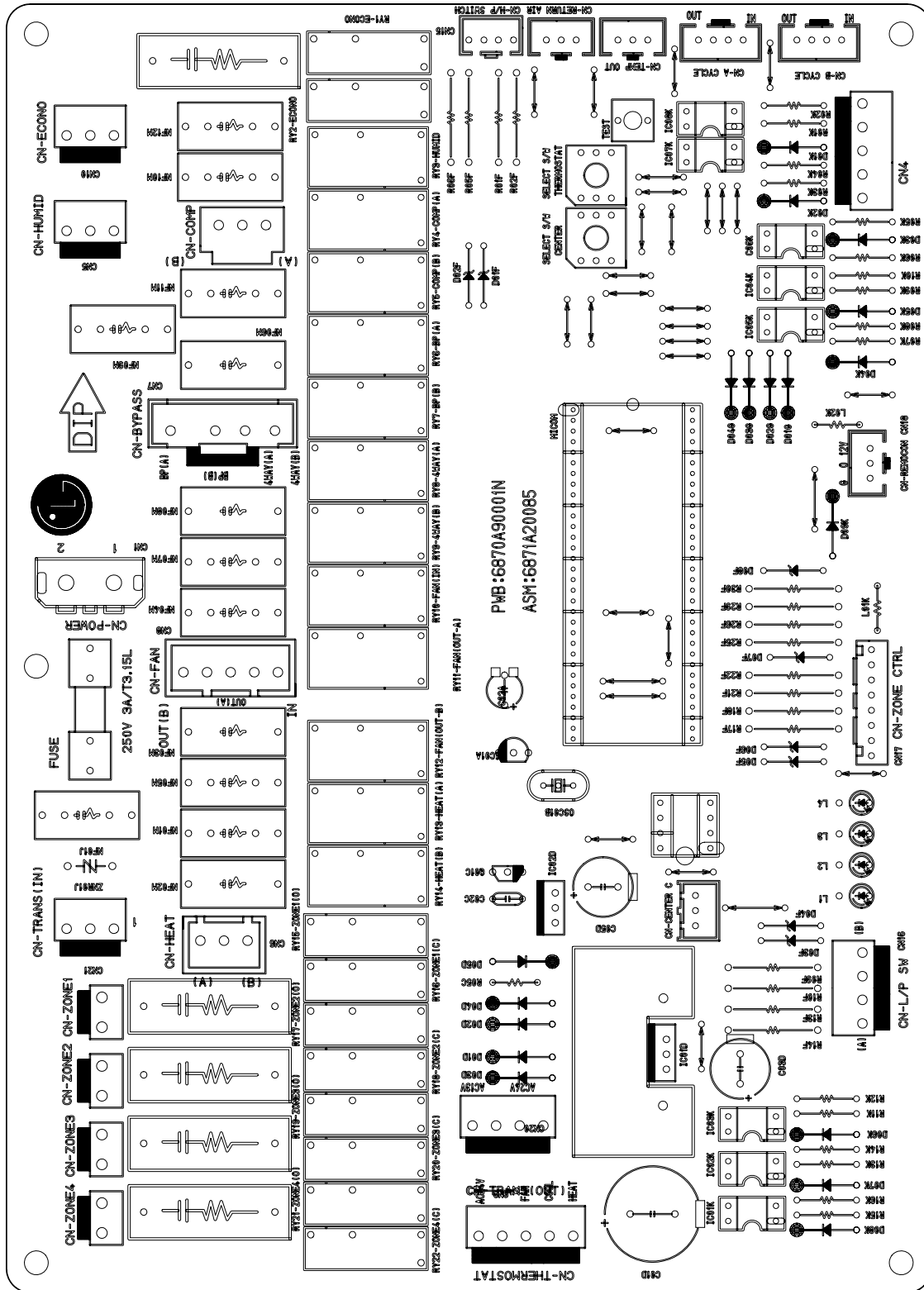


Features of Controller

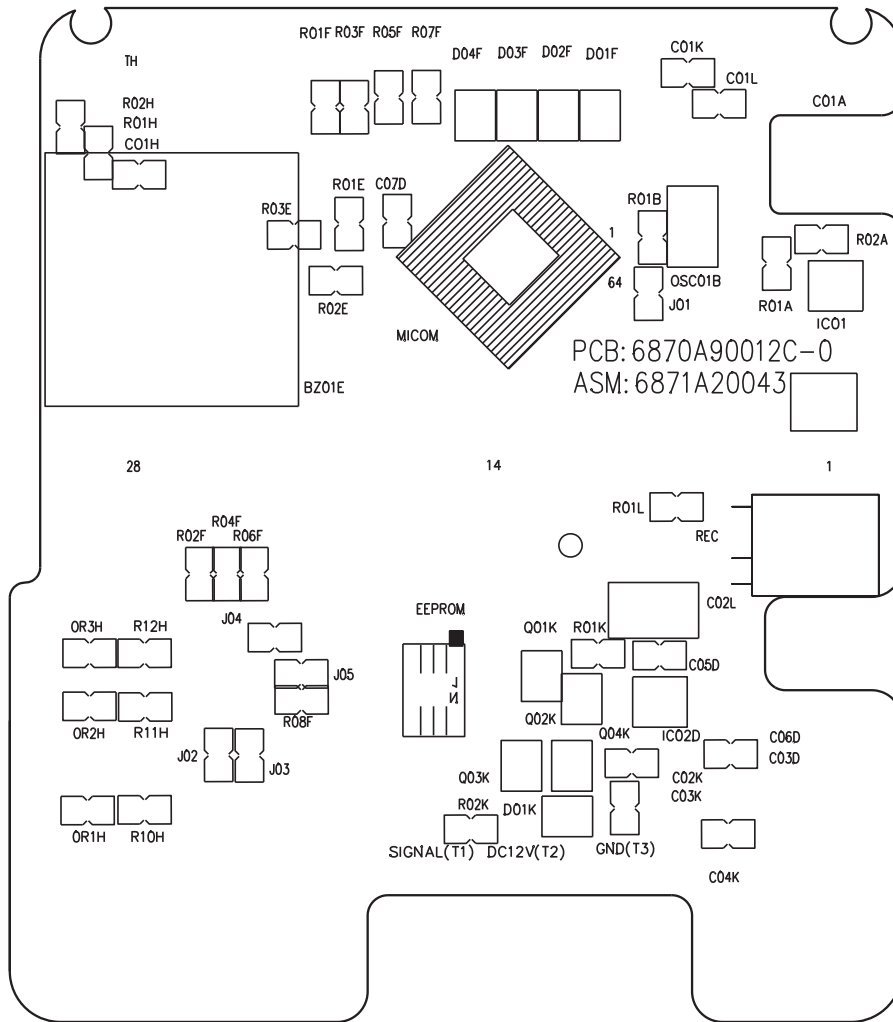
1. Main Controller Circuit Diagram



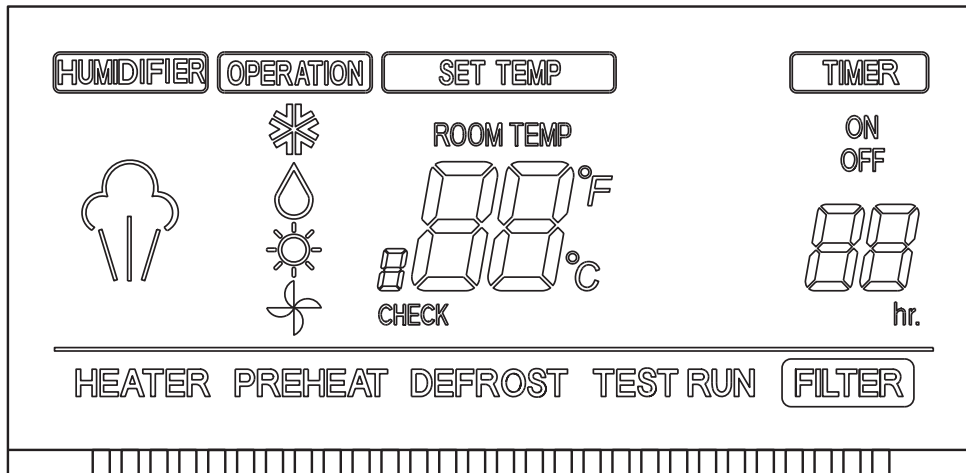
2. Feature of Main Controller



3. Feature of Remote-Controller PCB ASS'Y



4. Feature of Remote-Controller LCD



5. Error Mode & Corrective Method

Error mode	Cause of error	Sensing condition of error	Method of SVC	Remark
F01	OPEN/SHORT of room temp. sensor	Voltage of sensing: Over 4.8V Voltage of sensing: Less than 0.5V	1. Check the voltage of "CO1H" on the remote controller. 2. Check the temp. sensor of remote controller.	Room temp.(25°C) = DC 2.5V
F02	OPEN/SHORT of indoor pipe temp. sensor	Voltage of sensing: Over 4.8V Voltage of sensing: Less than 0.5V	1. Check the voltage between PIN 3 and 4 of CN-A cycle/CN-B cycle. 2. Check the temp. sensor of indoor pipe.	Pipe temp.(25°C) = DC 2.2V
F03	Communication Error	Communication interruption between remote controller and Main PCB for 2 minutes.	1. Check the connecting wire between main PCB remote controller. 2. Check the input voltage of remote-controller. 3. Check the wiring of remote-controller.	Input voltage of remote-controller = DC 12V
F04	OPEN/SHORT of outdoor pipe sensor	Voltage of sensing: Over 4.8V Voltage of sensing: Less than 0.5V	1. Check the voltage between PIN 1 and 2 of CN-A cycle/CN-B cycle ON the main PCB. 2. Check the temp. sensor of remote controller.	Pipe temp.(25°C) = DC 2.5V
F05	OPEN/SHORT of outdoor room temp. sensor	Voltage of sensing: Over 4.8V Voltage of sensing: Less than 0.5V	1. Check the voltage between PIN 1 and 3 of CN-TEMP OUT on the main PCB. 2. Check the temp. sensor of outdoor room.	Room temp.(25°C) = DC 2.2V

6. Principal part list of controller

Model	Main PCB ASM	Remote controller	Pipe Sensor A	Pipe Sensor A/B	Return Air Sensor	Outdoor Room Sensor	Power Trans	Remark	
LK-0580CH	6871A20085B	6711A20007B	6323AQ2333T	6323AQ2333U	6323AQ3214M (OPTION)	6323AQ3214H	6171AQ2138E	Cooling Only	
LK-0880CH							6171AQ2138D		
LK-1080CH	6871A20085D						6171AQ2138E		
LK-1580CH	6871A20085E						6171AQ2138E		
LK-2080CH	6871A20085E						6171AQ2138E		
LK-0580HH	6871A20085A	6711A20007C	6323AQ2333W	6323AQ2333X	6323AQ3214M (OPTION)	6323AQ3214H	6171AQ2138E	Heat Pump	
LK-0880HH							6171AQ2138D		
LK-1080HH							6871A20085C		6171AQ2138D
LK-1580HH							6871A20085F		6171AQ2138D

7. Principal part list of Main PCB ASM

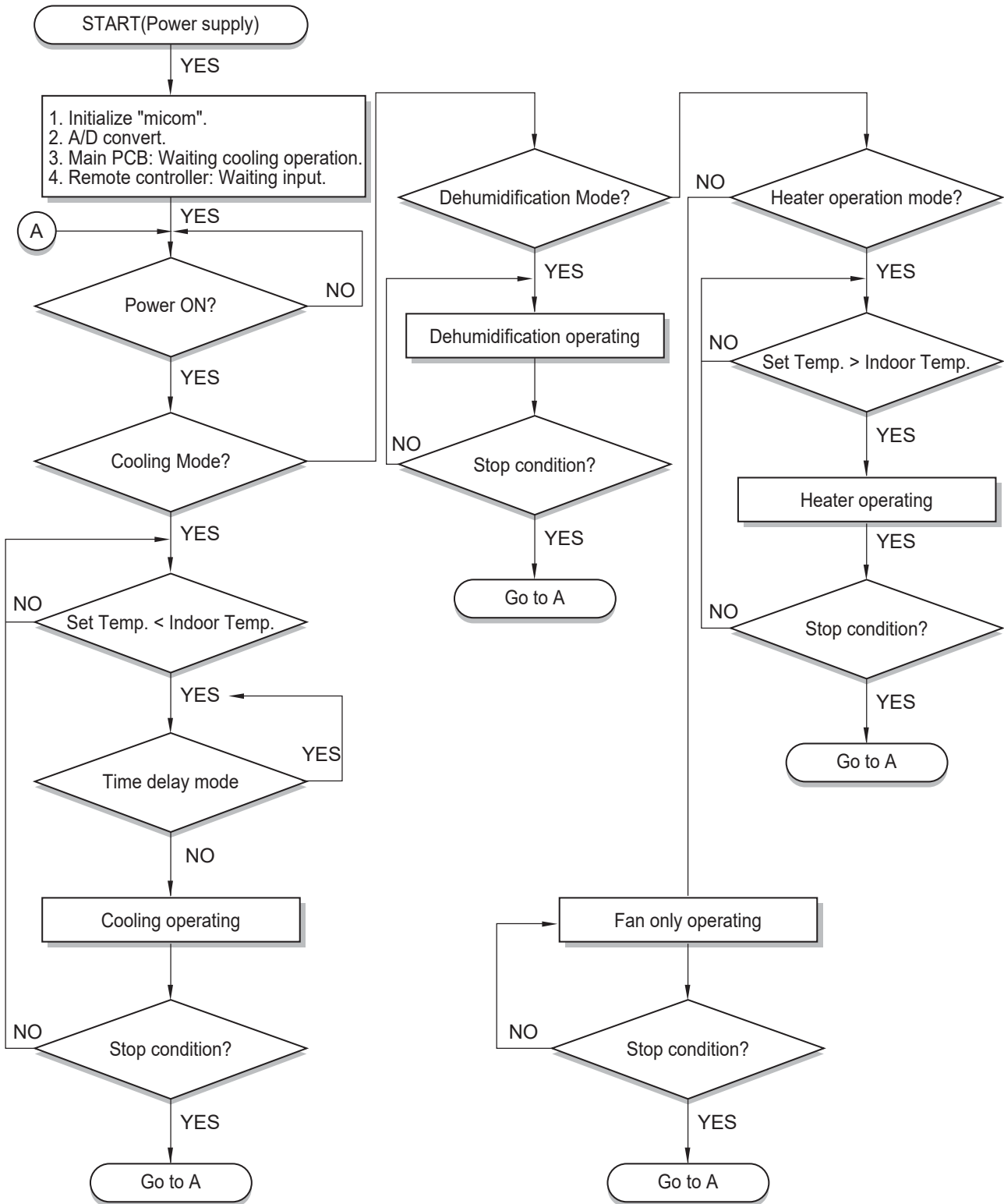
No	Part No	Part Name	Remarks
1	OITO874000E	MICOM(Main)	MICOM
2	6920AQ9033F	Relay	
3	6212AQ9002J	Oscillator	
4	6900AQ9028D	Fuse	
5	6102A90001A	Varistor	

8. Principal part list of Remote Controller

No	Part No	Part Name	Remark
1	OITO641010B	MICOM(Remote Controller)	MICOM
2	6304A30001C	LCD	
3	6871A20043A	Remote C PCB ASM	Cooling Only
4	6871A20043H	Remote C PCB ASM	Heat Pump

9. Explanation of principal function

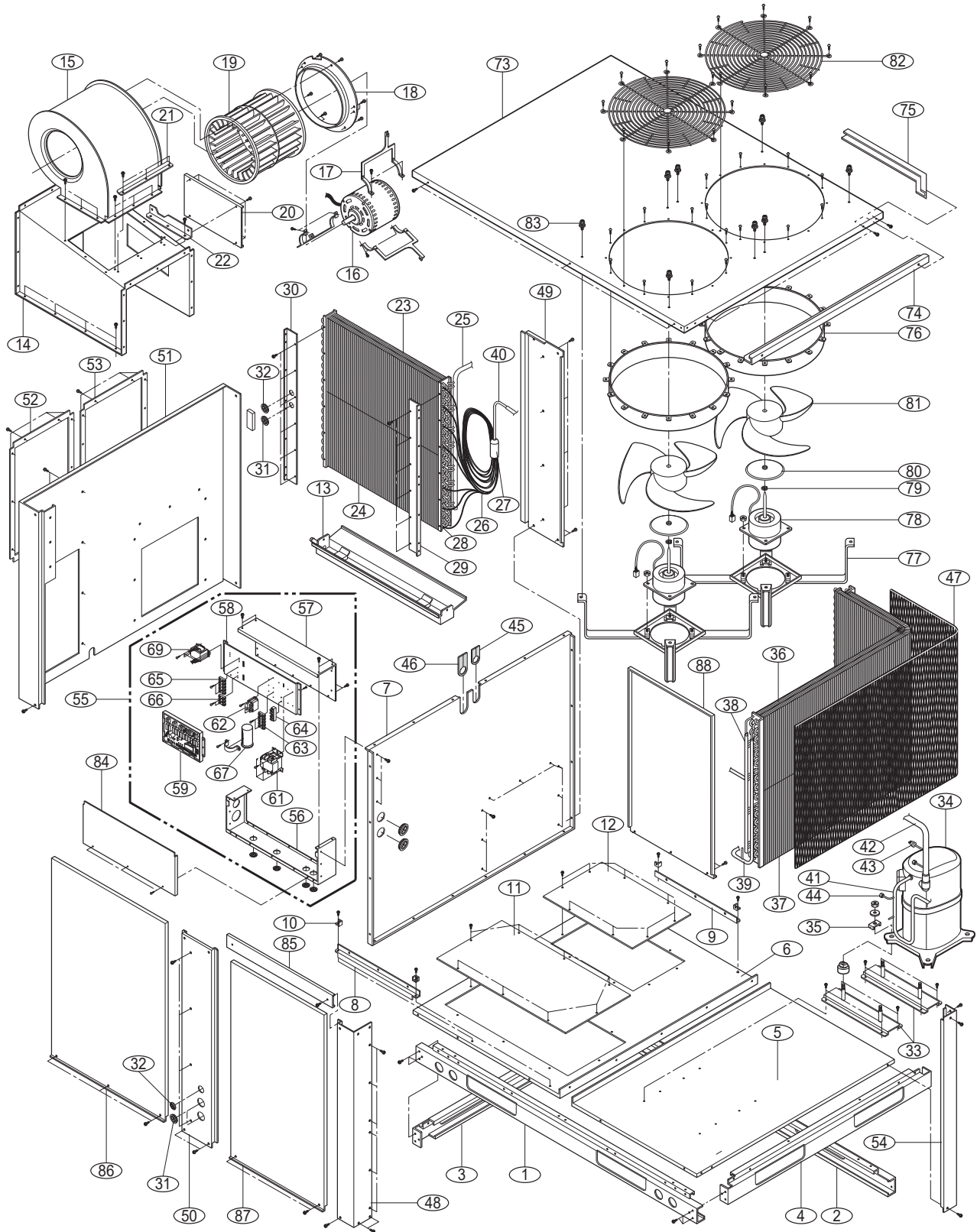
■ Flow Chart



Exploded View and Replacement Parts List

1. LK-0580HC/0580CC

• Exploded View



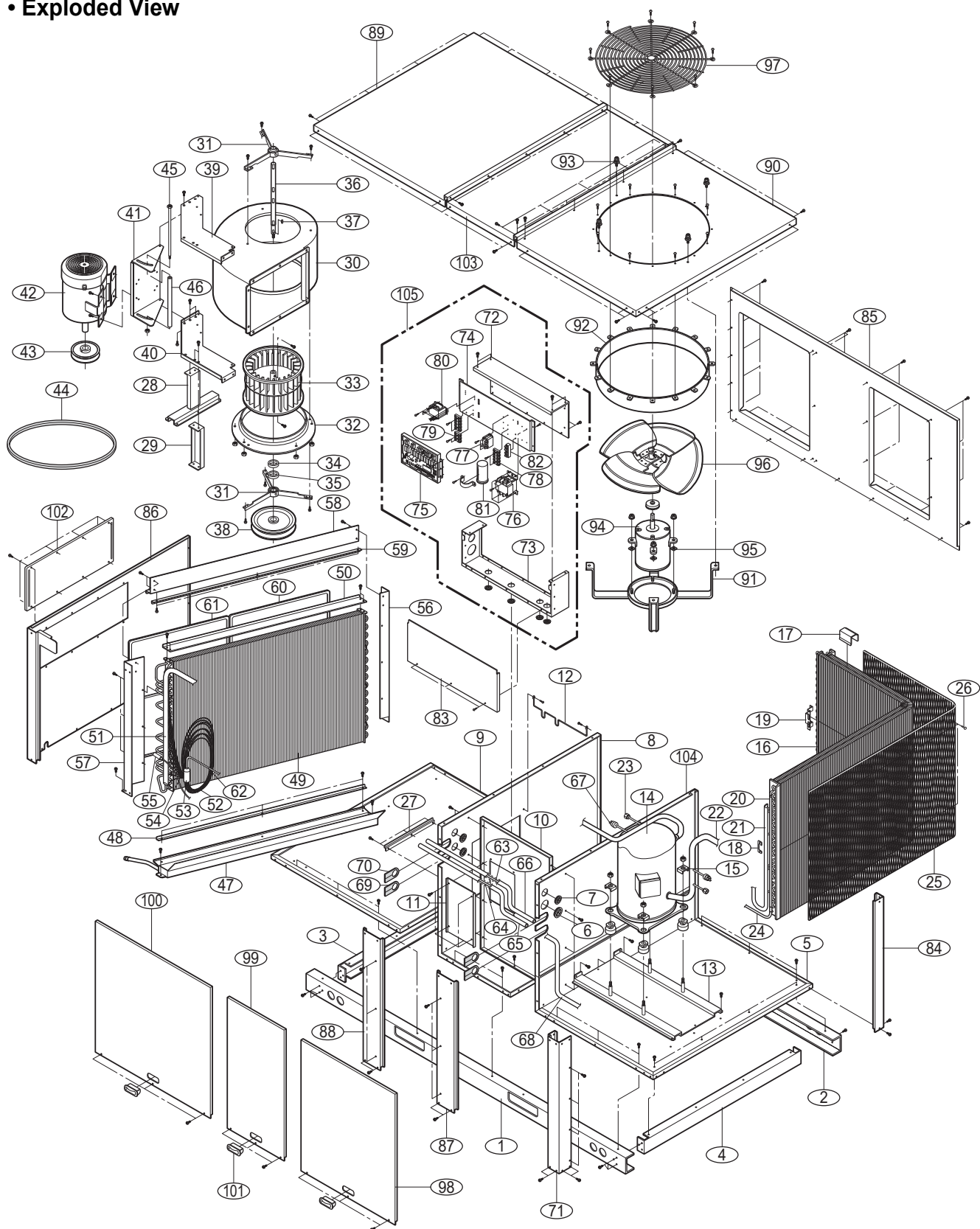
• Replacement Parts List

NO.	PART NAME	PART NO.	LK-0580HC	LK-0580CC	REMARKS
1	BASE FRAME-FRONT	3210A20020A	1	1	
2	BASE FRAME-REAR	3210A20020B	1	1	
3	BASE FRAME-LEFT	3210A20021A	1	1	
4	BASE FRAME-RIGHT	3210A20021B	1	1	
5	BASE SINGLE-COMP	3040A10029B	1	1	
6	BASE SINGLE-BLOWER	3040A20015A	1	1	
7	BARRIER SINGLE	4790A20021A	1	1	
8	ANGLE-FRONT	3000A20005A	1	1	
9	ANGLE-REAR	3000A20005B	1	1	
10	BRACKET	4810A30069A	4	4	
11	COVER DUCT-RETURN	3550A20025B	1	1	
12	COVER DUCT-SUPPLY	3550A20024B	1	1	
13	DRAIN PAN ASSY	3087A30002D	1	1	
14	BASE SINGLE-HOUSING	3040A20016A	1	1	
15	HOUSING ASSY	3661A20006B	1	1	
16	MOTOR ASSY-INDOOR	4681A20022F	1	1	0.3Hp
17	MOUNT ASSY, MOTOR	3G00788N	3	3	
18	ORIFICE	3G00600A	1	1	
19	BLOWER ASSY	2A00578M	1	1	D280*W280
20	COVER-HEATER	3550A30017A	1	1	
21	SUPPORTER HOUSING	4980A30010C	1	1	
22	SUPPORTER HEATER COVER	4980A20021A	1	1	
23	EVAPORATOR ASSY	5421A10003A	1	1	3R*20C*16FPI*L465
24	EVAPORATOR ASSY	5421A10003B	1	1	3R*18C*16FPI*L465
25	TUBE ASSY, MANIFOLD	5211A10047A	1	1	
26	TUBE CAPILLARY	3H01535K	9	-	ID1.4*OD2.6*L1000
		3H02633E	-	9	ID1.4*OD2.6*L900
27	TUBE DISTRIBUTOR	3A00929A	1	1	
28	TUBE CONNECTOR	5210AP4026A	9	9	
29	BRACKET EVA-R	4810A20017G	1	1	
30	BRACKET EVA-L	4810A20017D	1	1	
31	BUSHING	4830AG4043A	6	6	
32	BUSHING	4830AG4043B	3	3	
33	BASE COMP	3040A20018A	2	2	
34	COMPRESSOR	5417A20008G	1	1	H26A72QDBEA
35	BRACKET-COMP	4H01811C	4	4	
36	CONDENSER ASSY	5403A10007B	1	-	2R*16C*19FPI*L1380
		5403A10007D	-	1	2R*16C*19FPI*L1380
37	CONDENSER ASSY	5403A10007B	1	-	2R*16C*19FPI*L1380
		5403A10007D	-	1	2R*16C*19FPI*L1380
38	TUBE ASSY, CONDENSER IN	5211A10048A	1	1	
39	TUBE ASSY, CONDENSER OUT	5211A10051A	1	-	
		5211A10049B	-	1	
41	TUBE DISCHARGE	5210A30132C	1	1	
42	TUBE SUCTION	5210A30285H	1	-	
		5210A30235A	-	1	
43	LOW PRESSURE SWITCH	6600A20004C	-	1	OFF:2.0kgf/cm ² , ON:3.5kgf/cm ²
44	TUBE ASSY, VALVE	3A01902B	2	3	

NO.	PART NAME	PART NO.	LK-0580HC	LK-0580CC	REMARKS
45	BUSHING	4830A30002A	1	1	
46	BUSHING	4830A30002D	1	1	
47	MESH, FIN COVER	3546A20002S	1	1	
48	PANEL SIDE-R	3720A20087F	1	1	
49	SUPPORTER REAR	4980A20020F	1	1	
50	SUPPORTER FRONT	4980A20019B	1	1	
51	PANEL SIDE-L	3720A20086B	1	1	
52	FLANGE ASSY, RETURN	4341A20002B	1	1	
53	FLANGE ASSY, SUPPLY	4341A20001B	1	1	
54	BRACKET REAR	4810A20018F	1	1	
55	CONTROL BOX ASSY	4995A10015A	1	-	
		4995A10016A	-	1	
56	CONTROL PANEL SIDE	3720A30030B	1	1	
57	CONTROL PANEL TOP	3720A30031B	1	1	
58	CONTROL PANEL BASE	3720A20051C	1	1	
59	MAIN P.C.B	6871A20085	1A	1B	
60	TRANSFORMER, POWER	6171AQ2138E	1	1	
61	SWITCH MAGNET	2A01031A	1	1	220V, 30A, 220V Control
62	RELAY	6920AP3400A	2	2	250VAC, 25A
63	TERMINAL BLOCK	3A00493A	1	1	
64	TERMINAL BLOCK	3H00390A	3	3	
65	TERMINAL BLOCK	4H03048J	3	3	
66	TERMINAL BLOCK	4H03048H	1	1	
67	CAPACITOR(6 μ F,370VAC)	2H00841J	2	2	for OUTDOOR MOTOR
68	CLAMP CAPACITOR	4H00442F	1	1	
73	COVER TOP	3550A20023B	1	1	
74	COVER COND	3550A20027A	1	1	
75	COVER COND	3550A20028A	1	1	
76	ORIFICE, OUTDOOR	4948A10001C	2	2	
77	MOUNT ASSY, OUTDOOR	3A00434B	2	2	
78	MOTOR ASSY, OUTDOOR	4681A20008Z	2	2	RPM 930, 0.15Hp
79	E-RING	3A00644A	2	2	
80	COVER , MOTOR	4A00509D	2	2	
81	FAN ASSY, PROPELLER	1A00195B	2	2	OD 460
82	GRILLE ASSY, OUTDOOR	3530A20007B	2	2	
83	SCREW	4A00637A	8	8	
84	PANEL CONTROL	3720A30032B	1	1	
85	COVER, FAN	3550A20029A	1	1	
86	PANEL FRONT LEFT	3720A20088B	1	1	
87	PANEL FRONT RIGHT	3720A20088D	1	1	
88	PANEL FRONT REAR	3720A20088F	1	1	

2. LK-0880HH/0880CH

• Exploded View



• Replacement Parts List

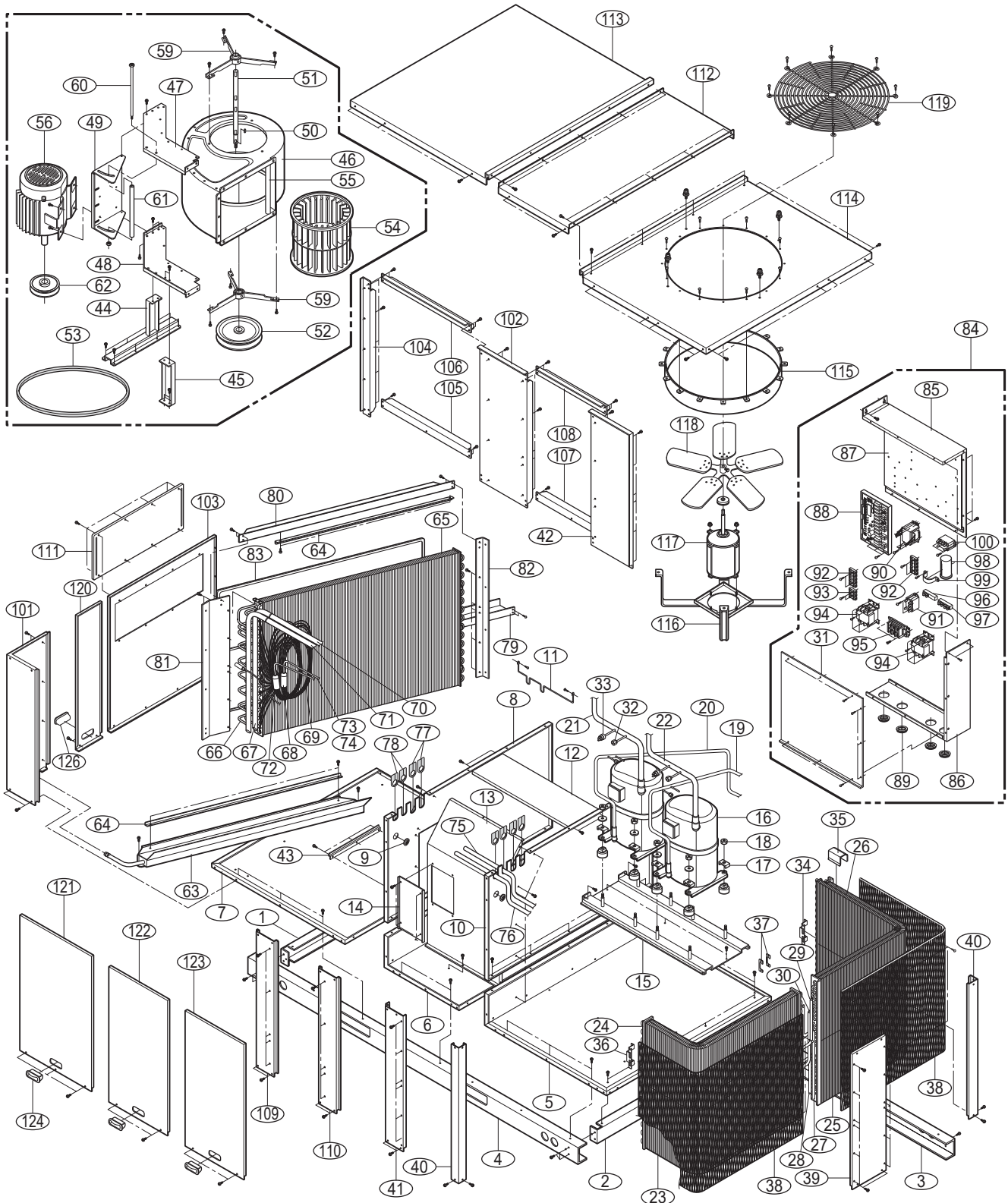
NO.	PART NAME	PART NO.	LK-0880HH	LK-0880CH	REMARKS
2	FRAME BASE-R	3210A20001B	1	1	
3	FRAME BASE-L	3210A20002A	1	1	
4	FRAME BASE-R	3210A20002B	1	1	
5	BASE RIGHT ASSY	3041A20004A	1	1	
6	BUSHING	4830AG4043A	6	6	
7	BUSHING	4830AG4043B	3	3	
8	BASE MIDDLE ASSY	3041A20005A	1	1	
9	BASE LEFT	3040A20001A	1	1	
10	BARRIER HEATER	4790A20008A	1	1	
11	COVER, HEATER	3550A30017A	1	1	
12	SUPPORTER HEATER	4980A30012B	1	1	
13	BASE COMP.	3040A30001B	1	1	
14	COMPRESSOR ASSY	5417A20007F	1	1	H25G104DBVE
15	BRACKET	4H01811C	4	4	
16	CONDENSER ASSY, BEND	5403A20016	2J	2L	2R*16C*17*L1420
17	HOLDER, CONDENSER	4A01556A	2	2	
18	LINK	4520AP4095A	2	2	
19	BRACKET COND.	4810AP3697A	1	1	
20	TUBE ASSY, CONDENSER OUT	5211A20181A	1	1	
21	TUBE ASSY, CONDENSER IN	5211A20182	1A	1B	
22	TUBE ASSY, DISCHARGE	5211A20185A	1	-	
		5210A30285D	-	1	
23	TUBE ASSY, PRESSURE VALVE	3A01902B	3	3	
24	TUBE ASSY, MANIFOLD	5211A20182	1A	1B	
25	FIN COVER	2A00191T	1	1	
26	CLIP	4A00323A	12	12	
27	SUPPORTER	4980A30010C	1	1	
28	SUPPORTER ASSY	4981A20003A	1	1	
29	SUPPORTER	4980A30009B	1	1	
30	HOUSING ASSY	3661AG1069B	1	1	
31	BRACKET ASSY	4811A30006A	2	2	
32	ORIFICE ASSY	4949AG2211C	1	1	
33	BLOWER ASSY	5835A20001A	1	1	D320*W320
34	BEARING	4A00131A	2	2	
35	GROMMET	4A00132A	2	2	
36	SHAFT	4370A30001A	1	1	
37	KEY	4A00128A	1	1	
38	PULLEY SHAFT	4561A30001F	1	1	Outside Dia. : 149(mm)
39	BRACKET HOUSING	4810A20003A	1	1	
40	BRACKET HOUSING	4810A20003B	1	1	
41	HOLDER MOTOR	4930A20002A	1	1	
42	MOTOR ASSY, INDOOR	4681A20018B	1	1	1.5HP
43	PULLEY ASSY	3A00217R	1	1	VARIBIE
44	BELT V	4400A30001P	1	1	48A TYPE
45	BOLT	1BZZA30004A	1	1	
46	SUPPORT PIPE	4980A30011A	1	1	
47	DRAIN PAN ASSY	3087A20002B	1	1	
48	GUIDE FILTER	4974A30015A	1	1	

NO.	PART NAME	PART NO.	LK-0880HH	LK-0880CH	REMARKS
49	EVAPORATOR ASSY	5421A20025C	1	1	2R*26C*L1070
50	BRACKET EVA.	4810A30041B	1	1	
51	TUBE ASSY, MANIFOLD	5211A20179A	1	1	
52	TUBE CAPILLARY	3H01535V	-	13	ID 1.2*L1100
		5210A30040P	13	-	ID 1.4*L1100
53	TUBE DISTRIBUTOR	3A00929C	1	1	
54	TUBE CONNECTOR	5210AP4026A	13	13	
55	THERMISTOR ASSY	6323AQ2333	1W	1T	
56	BRACKET	4810A20005A	1	1	
57	BRACKET	4810A20004A	1	1	
58	GUIDE FILTER	4974A20003A	1	1	
59	GUIDE FILTER	4974A30014A	1	1	
60	FILTER (MECH.)	5230A20003A	1	1	
61	FILTER(MECH.)	5230A20003C	1	1	
62	TUBE SUCTION	5210A30285	1C	1A	
63	TUBE SUCTION	5210A20026C	1	1	
64	TUBE SUCTION	5210A20090	1B	1C	
65	INSULATION TUBE	5410AG3254X/Y	1	1	
66	INSULATION TUBE	5410AG3254W/Z	1	1	
67	SWITCH PRESSURE, LOW	6600A20004C	-	1	OFF:2.0kgf/cm ² , ON:3.5kgf/cm ²
68	TUBE CONNECTOR	5210A20005	1B	1A	
69	BUSHING	4830A30002A	2	2	
70	BUSHING	4830A30002	2D	2B	
71	PANEL SIDE-R	3720A20024B	1	1	
72	PANEL CONTROL REAR	3720A10007A	1	1	
73	PANEL CONTROL BOTTOM	3720A10008B	1	1	
74	PANEL CONTROL BASE	3720A20042B	1	1	
75	MAIN PCB ASSY	6871A20085	1A	1B	
76	CONTACTOR (FOR COMP)	2A01031A	1	1	220V, 30A, 220V CONTROL
77	RELAY (FOR IDM)	6920AP3400A	1	1	220V, 25A, 220V CONTROL
78	TERMINAL BLOCK	4H03048J	2	2	
79	TERMINAL BLOCK	4H03048H	1	1	
80	TRANSFER, POWER	6171AQ2138D	1	1	
81	CAPACITOR(12μF/450VAC)	0CZZA20001E	1	1	for OUTDOOR MOTOR
82	TERMINAL BLOCK	3H00390A	1	1	
83	PANEL CONTROL FRONT	3720A20031A	1	1	
84	BRACKET	4810A30036B	1	1	
85	PANEL ASSY, REAR	3721A20015A	1	1	
86	PANEL ASSY, SIDE	3721A20016A	1	1	
87	SUPPORTER	4980A20002B	1	1	
88	SUPPORTER	4980A20003B	1	1	
89	COVER TOP-L ASSY	3551A20004A	1	1	
90	COVER TOP-R	3550A10002	1D	1B	
91	MOUNT ASSY	4961A30003A	1	-	
		3A00434A	-	1	
92	ORIFICE	4948A10002A	1	-	
		4948A10001B	-	1	
93	BOLT	3A00255E	4	4	

NO.	PART NAME	PART NO.	LK-0880HH	LK-0880CH	REMARKS
94	MOTOR ASSY, OUTDOOR	4681A20026D	1	-	950RPM/0.5Hp
		4681A20019C	-	1	950RPM/0.5Hp
95	BUSHING	4A00077A	4	4	
96	FAN ASSY	5901A20004A	1	-	
		1A00284A	-	1	
97	GRILLE ASSY	2A00144	1G	1J	
98	PANEL FRONT-R ASSY	3721A20017A	1	1	
99	PANEL FRONT-M ASSY	3721A20017B	1	1	
100	PANEL FRONT-L ASSY	3721A20017C	1	1	
101	HANDLE	3E37352A	3	3	
102	COVER SIDE ASSY	3551A30011A	1	1	
103	COVER TOP-M ASSY	3551A20008A	1	1	
104	BARRIER SINGLE	4790A20017A	1	1	
105	CONTROL BOX ASSY	4995A10009A	1	-	
		4995A20011A	-	1	

3. LK-1080HH/1080CH

• Exploded View



• Replacement Parts List

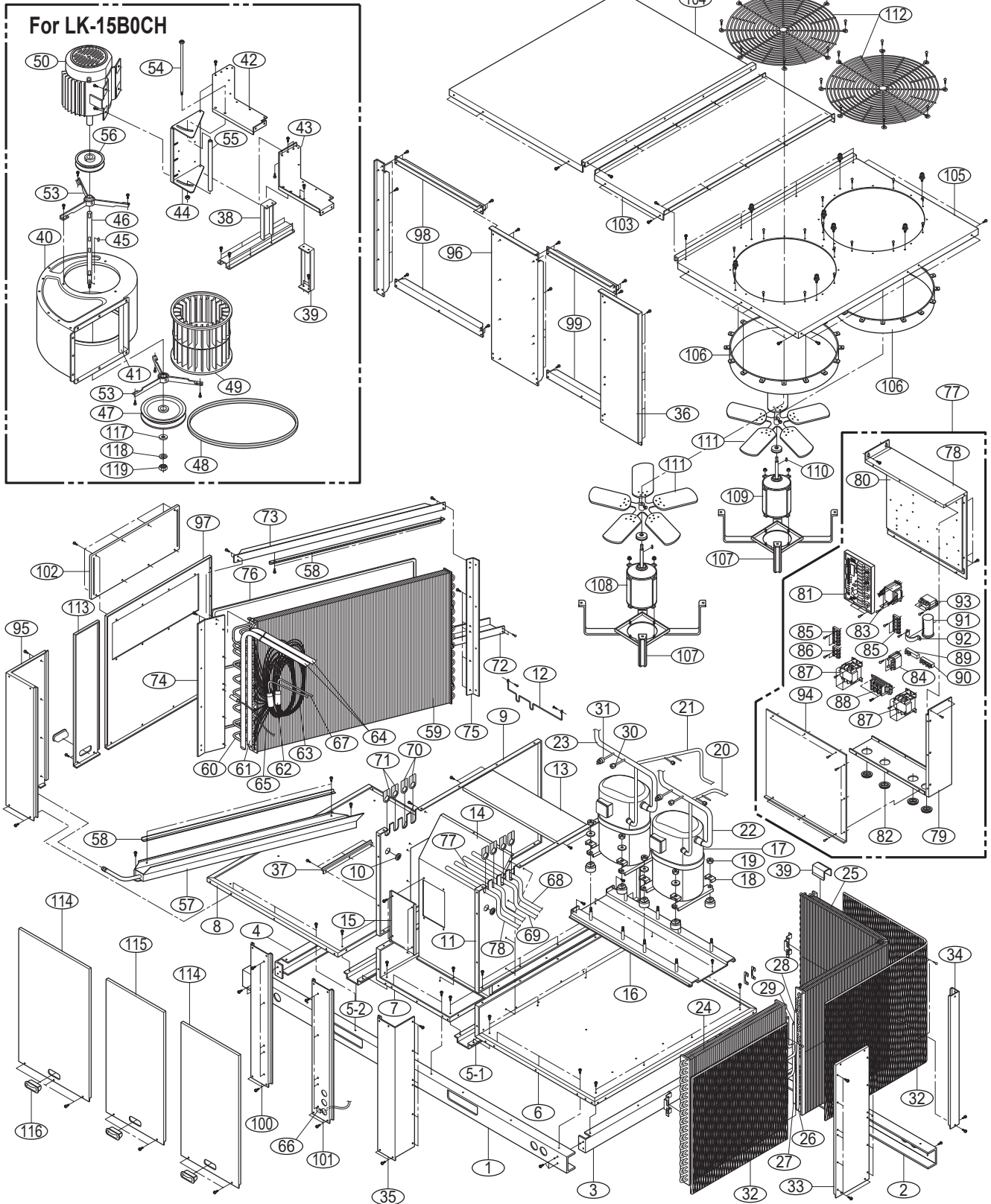
NO.	PART NAME	PART NO.	LK-1080HH	LK-1080CH	REMARKS
1	FRAME BASE-R	3210A20005B	1	1	
2	FRAME BASE-L	3210A20005A	1	1	
3	FRAME BASE-R	3210A20006B	1	1	
4	FRAME BASE-F	3210A20006A	1	1	
5	BASE SINGLE (PAN-R)	3040A10011A	1	1	
6	BASE SINGLE (PAN-M)	3040A10010A	1	1	
7	BASE SINGLE (PAN-L)	3040A10009A	1	1	
8	BARRIER SINGLE LEFT	4790A10005A	1	1	
9	BUSHING	4830AG4043B	4	4	
10	BARRIER SINGLE RIGHT	4790A10006A	1	1	
11	SUPPORTER HEATER	4980A30012C	1	1	
13	BARRIER SINGLE HEATER	4790A10004A	1	1	
14	COVER HEATER	3550A30017A	1	1	
15	BASE COMP ASSY	3040A30005A	1	1	
16	COMPRESSOR ASSY	5417A20008G	2	2	H26A72QDBEA
17	BRACKET	4H01811C	8	8	
18	NUT HEXAGON	1NHA0801206	8	8	
19	TUBE DISCHARGE	5210A20056	1B	1A	COMP B
20	TUBE DISCHARGE	5210A20057	1B	1A	COMP A
21	TUBE SUCTION	5210A20055C	1	1	COMP A
22	TUBE SUCTION	5210A20159B	-	1	COMP B
		5210A30285F	1	-	COMP B
23	CONDENSOR ASSY	5403A10004	1B	1F	
24	CONDENSOR ASSY	5403A10004	1D	1H	
25	CONDENSOR ASSY	5403A10003	1B	1F	
26	CONDENSOR ASSY	5403A10003	1D	1H	
27	TUBE ASSY CONNECTOR	5211A30216A	1	1	
28	TUBE ASSY CONNECTOR	5211A30216B	1	1	
29	TUBE ASSY CONNECTOR	5211A30216C	1	1	
30	TUBE ASSY CONNECTOR	5211A30216D	1	1	
31	PANEL CONTROL	3720A30032A	1	1	
32	PRESSURE VALVE	3A01902B	6	6	
33	PRESSURE SWITCH, LOW	6600A20004C	-	2	OFF:2.0kgf/cm ² , ON:3.5kgf/cm ²
34	BRACKET COND	4810AP3697A	1	1	
35	HOLDER CONDENSOR	4A01556A	6	6	
36	BRACKET COND	4810A30028A	1	1	
37	LINK SHEET	4520AP4095A	6	6	
38	COVER FIN	2A00191V	2	2	
39	PANEL SIDE	3720A20045B	1	1	
40	BRACKET REAR	4810A20007B	2	2	
41	SUPPORTER PANEL	4980A30018B	1	1	
42	PANEL REAR-L	3720A20046B	1	1	
43	SUPPORTER HOUSING	4980A30010D	1	1	
44	SUPPORTER ASSY HOUSING	4981A20003B	1	1	
45	SUPPORTER HOUSING	4980A30009D	1	1	
46	HOUSING ASSY	3661A10003A	1	1	
47	BRACKET HOUSING	4810A30060A	1	1	
48	BRACKET HOUSING	4810A30060B	1	1	

NO.	PART NAME	PART NO.	LK-1080HH	LK-1080CH	REMARKS
49	HOLDER MOTOR	4930A30005A	1	1	
50	KEY ASSY	4A00128A	1	1	
51	SHAFT	4370A30002A	1	1	
52	PULLEY ASSY	4561A30002B	1	1	
53	V-BELT	4400A30002G	1	1	REC-54B
54	BLOWER ASSY	5835A20003A	1	1	A:D380*L280
55	CUT OFF	3087A30003A	1	1	
56	MOTOR ASSY INDOOR	4681A20025C	1	1	3ø, 3Hp
59	BRACKET ASSY	4811A10003A	2	2	
60	BOLT	1BZZA30004B	1	1	
61	SUPPORTER EVA.	4980A30011B	1	1	
62	PULLEY ASSY	3A00217R	1	1	VARIABLE
63	DRAIN PAN ASSY	3087A20004B	1	1	
64	GUIDE FILTER	4974A30026A	4	4	
65	EVAPORATOR ASSY	5421A20030C	2	2	C:2R*18C*16FPI*L963
66	TUBE ASSY MANIFOLD	5211A10020A	1	1	COMP A
67	TUBE ASSY MANIFOLD	5211A10021A	1	1	COMP B
68	TUBE DISTRIBUTOR	3A00929A	2	2	
69	TUBE CAPILLARY	3H02633E	9	9	ID 1.4*L900
		3H03750H	9	9	ID 1.4*L1,100
70	TUBE SUCTION	5210A20045A	1	1	COMP A
71	TUBE SUCTION	5210A20045A	1	1	COMP B
72	THERMISTOR ASSY	6323AQ2333	1X	1T	
		6323AQ2333	1W	1U	
73	TUBE DISCHARGE	5210A20044C	1	1	COMP A
74	TUBE DISCHARGE	5210A20044D	1	1	COMP B
75	TUBE DISCHARGE	5210A20048	1C	1E	COMP A
76	TUBE DISCHARGE	5210A20048	1D	1F	COMP B
77	BUSHING	4830A30002F	4	4	
78	BUSHING	4830A30002D	4	4	
79	GUIDE FILTER	4974A30024A	1	1	
80	GUIDE FILTER	4974A30025A	1	1	
81	BRACKET EVA	4810A30063A	1	1	
82	BRACKET EVA	4810A30062A	1	1	
83	FILTER ASSY	5230A20003D	2	2	
84	CONTROLLER BOX ASSY	4995A10012	1A	1B	
85	PANEL CONTROL TOP	3720A30031A	1	1	
86	PANEL CONTROL SIDE	3720A30030A	1	1	
87	PANEL FRONT	3720A20051A	1	1	
88	PCB ASSY MAIN	6871A20085	1C	1D	
89	BUSHING	4830AG4043A	4	4	
90	TRANSFORMER POWER	6171AQ2138D	1	1	
91	RELAY (FOR INDOOR MOTOR)	6920AP3400A	1	1	220V, 25A, 220V CONTROL
92	TERMINAL BLOCK	4H03048J	2	2	
93	TERMINAL BLOCK	4H03048H	1	1	
94	SWITCH MAGNET (FOR COMP)	2A01031A	2	2	220V, 30A, 220V CONTROL
95	TERMINAL BLOCK	3A00493A	1	1	
96	TERMINAL BLOCK	3H00390A	1	1	

NO.	PART NAME	PART NO.	LK-1080HH	LK-1080CH	REMARKS
97	TERMINAL BLOCK	3H00390A	1	1	
98	CAPACITOR(20 μ F,450VAC)	0CZZA20001E	1	1	for OUTDOOR MOTOR
99	CLAMP CAPACITOR	4H00442F	1	1	
100	RELAY(FOR OUTDOOR MOTOR)	6920AP3400A	1	1	
101	PANEL ASSY SIDE-R	3721A20028A	1	1	
102	PANEL ASSY REAR	3721A20029A	1	1	
103	PANEL ASSY SIDE	3721A20030A	1	1	
104	PANEL REAR-R	3720A20048B	1	1	
105	ANGLE	3000A20001B	1	1	
106	ANGLE	3000A20001D	1	1	
107	ANGLE	3000A20002B	1	1	
108	ANGLE	3000A20002D	1	1	
109	SUPPORTER PANEL-L	4980A20005B	1	1	
110	SUPPORTER PANEL-M	4980A30017B	1	1	
111	COVER ASSY SIDE	3551A30017A	1	1	
112	COVER ASSY TOP-M	3551A20009A	1	1	
113	COVER ASSY TOP-L	3551A20010A	1	1	
114	COVER ASSY TOP-R	3550A10008D	1	1	
115	ORIFICE	4948A10002B	1	1	
116	MOUNT ASSY MOTOR	4961A20007A	1	1	
117	MOTOR ASSY OUTDOOR	4681A20026D	1	1	950RPM/1.3Hp
118	FAN ASSY, PROPELLER	5901A20004G	1	1	OD 690
119	GRILLE ASSY, DISCHARGE	2A00144Q	1	1	
120	PANEL ASSY SIDE	3721A20031A	1	1	
121	PANEL FRONT ASSY-L	3721A20032A	1	1	
122	PANEL FRONT ASSY-M	3721A20032B	1	1	
123	PANEL FRONT ASSY-R	3721A20032C	1	1	
124	HANDLE	3E37352A	4	4	

4. LK-1580HH/1580CH

• Exploded View



• Replacement Parts List

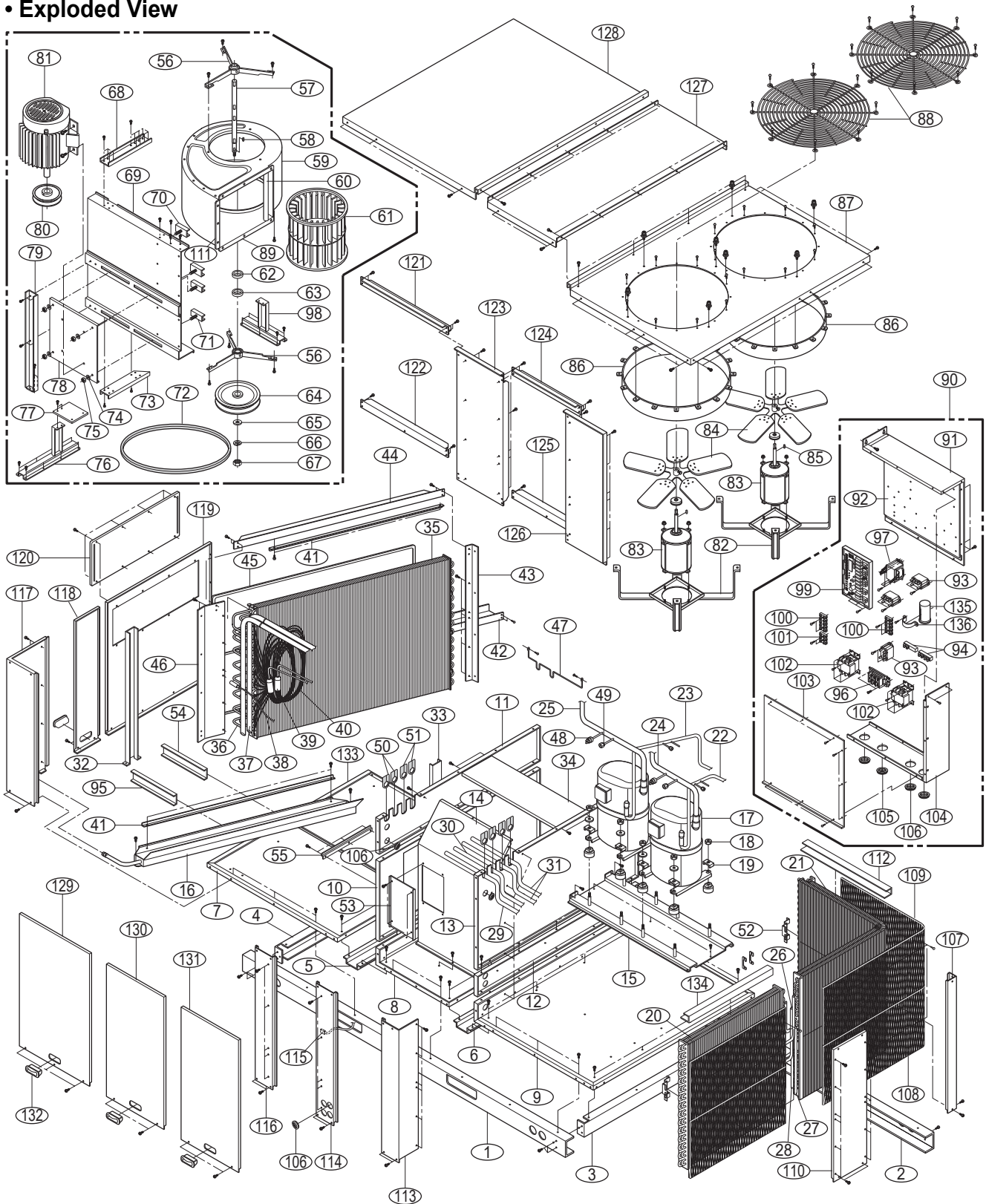
NO.	PART NAME	PART NO.	LK-1580HH	LK-1580CH	REMARKS
1	FRAME BASE-F	3210A10003A	1	1	
2	FRAME BASE-R	3210A10003B	1	1	
3	FRAME BASE-S	3210A20010A	1	1	
4	FRAME BASE-S	3210A20010B	1	1	
5-1	FRAME BASE-M	3210A20011A	1	1	
5-2	FRAME BASE-M	3210A20011B	1	1	
6	BASE SINGLE (PAN-R)	3040A10021A	1	1	
7	BASE SINGLE (PAN-M)	3040A10020A	1	1	
8	BASE SINGLE (PAN-L)	3040A10019A	1	1	
9	BARRIER SINGLE LEFT	4790A10012A	1	1	
10	BUSHING	4830AG4043A	4	4	
11	BARRIER SINGLE RIGHT	4790A10013A	1	1	
12	SUPPORTER HEATER	4980A30012E	1	1	
13	PANEL UPPER	4810A30084B	1	1	
14	BARRIER SINGLE HEATER	4790A10014A	1	1	
15	COVER HEATER	3550A30017A	1	1	
16	BASE COMP ASSY	3040A20011A	1	1	
17	COMPRESSOR ASSY	5417A20007F	2	2	H25G104DBVE
18	BRACKET	4H01811C	8	8	
19	NUT HEXAGON	1NHA0801206	8	8	
20	TUBE DISCHARGE	5211A20079A	1	1	COMP B
21	TUBE DISCHARGE	5211A20080A	1	1	COMP A
22	TUBE SUCTION	5211A10024C	1	-	COMP B
		5210A20063B	-	1	COMP B
23	TUBE SUCTION	5211A10024D	1	-	COMP A
		5210A20068B	-	1	COMP A
24	CONDENSOR ASSY	5403A20023	1R	2N	2R*22C*L1080
		5403A20023U	1	-	2R*22C*L1080
25	CONDENSOR ASSY	5403A20023	1T	2Q	2R*22C*L1080
		5403A20023W	1	-	2R*22C*L1080
26	TUBE ASSY CONNECTOR	5211A30216E	1	1	
27	TUBE ASSY CONNECTOR	5211A30216J	1	1	
28	TUBE ASSY CONNECTOR	5211A30216L	1	1	
29	TUBE ASSY CONNECTOR	5211A30216M	1	1	
30	PRESSURE VALVE	3A01902B	6	6	
31	PRESSURE SWITCH, LOW	660A20004C	-	2	OFF:2.0kgf/cm ² , ON:3.5kgf/cm ²
32	COVER FIN	3546A20002G	2	2	
		3546A20002H	2	2	
33	PANEL SIDE	3720A20061B	1	1	
34	BRACKET REAR	4810A20007D	1	1	
35	SUPPORTER PANEL	4980A20011D	1	1	
36	PANEL REAR-L	3720A20062D	1	1	
37	SUPPORTER HOUSING	4980A30010D	1	1	
38	SUPPORTER ASSY HOUSING	4981A20003D	1	1	
39	SUPPORTER	4980A30009F	1	1	
40	HOUSING ASSY	3661A10003B	1	1	
41	CUT OFF	3078A30003B	1	1	
42	BRACKET HOUSING	4810A30060A	1	1	

NO.	PART NAME	PART NO.	LK-1580HH	LK-1580CH	REMARKS
43	BRACKET HOUSING	4810A30060B	1	1	
44	HOLDER MOTOR	4930A30005B	1	1	
45	KEY ASSY	4A00128A	1	1	
46	SHAFT	4370A30002B	1	1	
47	PULLEY ASSY	4561A30002A	1	1	
48	V-BELT	4400A30002G	1	1	REC-54B
49	BLOWER ASSY	5835A20003B	1	1	D380*L380
50	MOTOR ASSY INDOOR	4681A20025D	1	1	4HP
53	BRACKET ASSY	4811A10003A	2	2	
54	BOLT	1BZZA30004C	1	1	
55	SUPPORTER EVA.	4980A30011C	1	1	
56	PULLEY ASSY	3A00217R	1	1	VARIABLE
57	DRAIN PAN ASSY	3087A20004F	1	1	
58	GUIDE FILTER	4974A30026B	4	4	
59	EVAPORATOR ASSY	5421A20035E	2	2	2R*21C*17FPI*L1140
60	TUBE ASSY MANIFOLD	5211A10020B	1	1	COMP A
61	TUBE ASSY MANIFOLD	5211A10021B	1	1	COMP B
62	TUBE DISTRIBUTOR	3A00213J	2	2	
63	TUBE CAPILLARY	3H03750K	10	-	ID 1.4*L700
		3E92334R	10	-	ID 1.4*L800
		3H02633E	-	20	ID 1.4*L900
64	TUBE SUCTION	5210A20064	2B	2A	
65	THERMISTOR ASSY	6323AQ2333	1W	1T	BLACK
		6323AQ2333	1X	1U	BLUE
66	THERMISTOR ASSY	6323AQ3214H	1	1	
67	TUBE CONNECTOR	5210A20065A	2	2	COMP A
68	TUBE CONNECTOR	5210A20066A	1	1	COMP B
69	TUBE CONNECTOR	5210A20067A	1	1	
70	BUSHING	4830A30002A	4	4	
71	BUSHING	4830A30002B	4	4	
72	GUIDE FILTER	4974A30024C	1	1	
73	GUIDE FILTER	4974A30025C	1	1	
74	BRACKET EVA	4810A30080B	1	1	
75	BRACKET EVA	4810A30081A	1	1	
76	FILTER ASSY	5230A20003F	2	2	
77	CONTROL BOX ASSY	4995A10007	1E	1D	
78	PANEL CONTROL TOP	3720A20064A	1	1	
79	PANEL CONTROL SIDE	3720A20065A	1	1	
80	APANEL BASE	3720A20066A	1	1	
81	PCB ASSY MAIN	6871A20085	1C	1D	
82	BUSHING	4830AG4043A	4	4	
83	TRANSFORMER POWER	6171AQ2138D	1	1	
84	RELAY (FOR INDOOR MOTOR)	6920AP3400A	1	1	220V, 25A, 220V CONTROL
85	TERMINAL BLOCK	4H03048J	3	3	
86	TERMINAL BLOCK	4H03048H	1	1	
87	SWITCH MAGNET (FOR COMP)	2A01031A	2	2	220V, 30A, 220V CONTROL
88	TERMINAL BLOCK	3A00493A	1	1	
89	TERMINAL BLOCK	3H00390A	1	1	

NO.	PART NAME	PART NO.	LK-1580HH	LK-1580CH	REMARKS
90	TERMINAL BLOCK	3H00390A	1	1	
91	CAPACITOR(20 μ F,450VAC)	0CZZA20001E	2	-	for OUTDOOR MOTOR
92	CLAMP CAPACITOR	4H00442F	2	-	
93	RELAY(FOR OUTDOOR MOTOR)	6920AP3400A	2	2	
94	PANEL CONTROL	3720A30034A	1	1	
95	PANEL ASSY SIDE-R	3721A20028C	1	1	
96	PANEL ASSY REAR	3721A20029C	1	1	
97	PANEL ASSY SIDE	3721A20030C	1	1	
98	ANGLE	3000A20001H	2	2	
99	ANGLE	3000A20002H	2	2	
100	SUPPORTER PANEL-L	4980A20009B	1	1	
101	SUPPORTER PANEL-M	4980A20010B	1	1	
102	COVER ASSY SIDE	3551A30017A	1	1	
103	COVER ASSY TOP-M	3551A20009C	1	1	
104	COVER ASSY TOP-L	3551A20010C	1	1	
105	COVER ASSY TOP-R	3551A10002	1B	1D	
106	ORIFICE	4948A10002A	2	-	
		4948A10001B	-	2	
107	MOUNT ASSY MOTOR	4961A30003A	2	-	
		3A00434A	-	2	
108	MOTOR ASSY OUTDOOR	4681A20026D	1	-	950RPM/1.3Hp
		4681A20019C	-	1	950RPM/0.5Hp
109	MOTOR ASSY OUTDOOR	4681A20026E	1	-	950RPM/1.3Hp
		4681A20019E	-	1	950RPM/0.5Hp
110	KEY ASSY	4061A30001A	2	2	
111	FAN ASSY, PROPELLER	5901A20004A	2	-	
		1A00284A	-	2	
112	GRILLE ASSY, DISCHARGE	2A00144	2G	2J	
113	PANEL ASSY SIDE	3721A20031C	1	1	
114	PANEL FRONT ASSY-L/R	3721A20032F	2	2	
115	PANEL FRONT ASSY-M	3721A20032G	1	1	
116	HANDLE	3E37352A	4	4	
117	WASHER PLAIN	1WPA1600014	1	1	
118	WASHER SPRING LOCK	1WSD1600006	1	1	
119	NUT HEXAGON	1NHA1601206	1	1	

5. LK-2080CH

• Exploded View



• Replacement Parts List

NO.	PART NAME	PART NO.	LK-2080CH	REMARKS
1	FRAME BASE ASSY	3211A20001A	1	
2	FRAME BASE ASSY	3211A20001B	1	
3	FRAME BASE-R	3210A20014A	1	
4	FRAME BASE-L	3210A20014B	1	
5	FRAME BASE-M(R)	3210A20015A	1	
6	FRAME BASE-M(L)	3210A20015B	1	
7	BASE SINGLE	3040A10023A	1	
8	BASE SINGLE (PAN-M)	3040A10022A	1	
9	BASE SINGLE (PAN-R)	3040A10024	1B	
10	BARRIER SINGLE LEFT	4790A10017A	1	
11	BARRIER SINGLE LEFT/UP	4790A10020A	1	
12	BARRIER SINGLE RIGHT/DOWN	4790A10019A	1	
13	BARRIER SINGLE RIGHT/UP	4790A10018A	1	
14	BARRIER SINGLE HEATER	4790A10015A	1	
15	BASE COMP ASSY	3040A20012A	1	
16	DRAIN PAN ASSY	3087A20006	1D	
17	COMP ASSY	5417A20007	2G	H25G144DBEE
18	NUT HEXAGON	1NHA0801206	8	
19	BRACKET	4H01811C	8	
20	CONDENSER ASSY	5403A20023	3G	2R*20C*1000
21	CONDENSER ASSY, BENT	5403A20023	3J	2R*20C*1100
22	TUBE ASSY, DISCHARGE(B COMP)	5211A20098B	1	
23	TUBE ASSY, DISCHARGE(A COMP)	5210A20099B	1	
24	TUBE SUCTION(B COMP)	5210A20077B	1	
25	TUBE SUCTION(A COMP)	5210A20077A	1	
26	TUBE ASSY CONNECTOR(IN/OUT)	5211A30238A/B	1/1	
27	TUBE ASSY CONNECTOR(B IN)	5211A30239A	1	
28	TUBE ASSY CONNECTOR(B OUT)	5211A30239B	1	
29	TUBE CONNECTOR	5210A20078	1C	
30	TUBE CONNECTOR	5210A20078	1D	
31	TUBE SUCTION	5210A20081A	2	
32	PANEL SIDE BRACKET	3720A20080A	1	
33	SUPPORTER BARRIER	4980A30027A	1	
34	SUPPORTER BARRIER	4980A30020C	1	
35	EVAPORATOR ASSY	5421A20035	2C	2R*30C*1420
36	TUBE ASSY MANIFOLD(B COMP)	5211A20113A	1	
37	TUBE ASSY MANIFOLD(A COMP)	5211A20114A	1	
38	THERMISTOR ASSY	6323AQ2333T/U	1/1	BLACK/BLUE
39	DISTRIBUTOR	3A00213	2J	
40	TUBE CAPILLARY	3H01535R	20	ID1.6*L1000
41	GUIDE FILTER	4974A30030A	4	
42	GUIDE FILTER-M	4974A20005A	1	
43	BRACKET EVA-L	4810A20016A	1	
44	GUIDE FILTER-UP	4974A20004A	1	
45	FILTER-A/C	5230A20003H	4	
46	BRACKET EVA-R	4810A20015A	1	
47	SUPPORTER	4980A30012F	1	
48	PRESSURE SWITCH, LOW	6600A20004C	2	OFF:2.0kgf/cm ² . ON:3.5kgf/cm ²

NO.	PART NAME	PART NO.	LK-2080CH	REMARKS
49	PRESSURE VALVE	3A01902B	6	
50	BUSHING	4830A30002F	4	
51	BUSHING	4830A30002B	4	
52	BRACKET COND	4810AP3697A	2	
53	COVER HEATER	3550A30040A	1	
54	FRAME BASE HOUSING	3210A20016B	1	
55	SUPPORTER HOUSING	4980A30010D	2	
56	BRACKET ASSY BEARING	4811A10001A	2	
57	SHAFT PULLEY	4370A30003B	1	
58	KEY ASSY	4A00128A	1	
59	HOUSING ASSY	3661A10005A	1	
60	CUT OFF	3078A30004A	1	
61	BLOWER ASSY	5835A20003D	1	D450 X L450
62	BEARING	4A00131B	2	
63	RUBBER	4A00132B	2	
64	PULLEY ASSY	4561A30003C	1	A:22INCH(O.D)/B:18INCH(O.D)
65	WASHER PLAIN	1WPA1800014	1	
66	WASHER SPRING LOCK	1WSD1800006	1	
67	NUT, HEXAGON	1NHA1801206	1	
68	BRACKET HOUSING MOUNT	4810A30090B	1	
69	BASE ASSY	3041A20010A	1	
70	SUPPORTER ASSY	4981A30003A	2	
71	SUPPORTER ASSY	4981A30003B	2	
72	BELT. V	4400A30002J	1	J:REC-81B
73	BRACKET HOUSING MOUNT	4810A30090A	1	
74	WASHER SPRING LOCK	1WSD1000030	8	
75	NUT, HEXAGON	1NHA1001206	8	
76	SUPPORTER ASSY	4981A20003E	1	
77	BRACKET HOUSING BASE	4810A30089A	2	
78	SUPPORTER BASE MOUNT	4980A30028A	1	
79	SUPPORTER HOUSING- B/MOUNT	4980A30030A	1	
80	PULLEY ASSY	3A00217S	1	VARIABLE
81	MOTOR ASSY-IN	4681A20031D	1	5Hp
82	MOUNT ASSY MOTOR	4961A30003A	2	
83	MOTOR ASSY-OUT	4681A20026D	1	950RPM/1.3Hp
		4681A20026E	1	950RPM/1.3Hp
84	FAN ASSY PROPELLER	5901A20004A	2	O.D:660
85	KEY ASSY	4061A30001A	2	
86	ORIFICE OUT	4948A10002A	2	
87	COVER TOP-R	3550A10020B	1	
88	GRILLE COVER	2A00144G	2	
89	BRACKET HOUSING -UP/DOWN	4810A30088B	2	
90	CONTROL BOX ASSY	4995A10022A	1	
91	PANEL CONTROL-TOP	3720A20075A	1	
92	PANEL CONTROL-BASE	3720A20077A	1	
93	RELAY POWER	6920AP3400A	3	220V, 25A, 220V CONTROL
94	TERMINAL BLOCK	3H00390A	2	
95	FRAME BASE HOUSING	3210A20016A	1	

NO.	PART NAME	PART NO.	LK-2080CH	REMARKS
96	TERMINAL BLOCK	3A00493D	1	
97	TRANS POWER	6171AQ2138E	1	
98	SUPPORTER ASSY	4981A20003F	1	
99	MAIN PCB ASSY	6871A20085E	1	
100	FILLER TERMINAL	4H03048J	3	
101	FILLER TERMINAL	4H03048H	1	
102	MAGNETIC CONTACT	2A01031C	2	220V, 50A, 220V CONTROL
103	PANEL CONTROL-FRONT	3720A30036A/B	1/1	
104	PANEL CONTROL-SIDE	3720A20076A	1	
105	BUSHING	4830AG4043A	9	
106	BUSHING	4830AG4043D	1	
107	BRACKET REAR	4810A20014B	1	
108	MESH-FIN COVER	3546A20002E	2	
109	MESH-FIN COVER	3546A20002D	2	
110	PANEL SIDE COND	3720A20071B	1	
111	BRACKET HOUSING-R/L	4810A30088A	2	
112	COVER COND	3550A30044C	1	
113	PANEL FRONT COND	3720A20079D	1	
114	SUPPORTER PANEL-M	4980A20013B	1	
115	THERMISTOR ASSY	6323AQ3214H	1	
116	SUPPORTER PANEL-L	4980A20012B	1	
117	PANEL SIDE-R	3720A20070B	1	
118	PANEL SIDE FILTER	3720A20072B	1	
119	PANEL SIDE-L	3720A10023B	1	
120	COVER ASSY SIDE	3551A30017A	1	
121	ANGLE UP-RETURN	3000A20002K	1	
122	ANGLE DOWN- RETURN	3000A20001K	1	
123	PANEL REAR-R	3720A20074B	1	
124	ANGLE UP-SUPPLY	3000A20002M	1	
125	ANGLE DOWN - SUPPLY	3000A20001M	1	
126	PANEL REAR-L	3720A20078D	1	
127	COVER TOP-M	3550A10019B	1	
128	COVER TOP-L	3550A10018B	1	
129	PANEL FRONT-L	3720A20073B	1	
130	PANEL FRONT-M	3720A20073D	1	
131	PANEL FRONT-R	3720A20073F	1	
132	HANDLE	3E37352A	4	
133	BASE INDOOR(LEFT-R)	3040A10026A	1	
134	COVER COND	3550A30044C	1	
135	CAPACITOR (20 μ F, 450VAC)	OCZZA20001E	2	for OUTDOOR MOTOR
136	CLAMP CAPACITOR	4H00442P	2	

Specification of Components

		LK-0580HC	LK-0580CC	LK-0880HH	LK-0880CH	LK-1080HH
COMP	P/No	5417A20008G	5417A20008G	5417A20007F	5417A20007F	5417A20008G
	Model name	H26A72QDBEA	H26A72QDBEA	H25G104DBVE	H25G104DBVE	H26A72QDBEA
	*RLA (A)	9.2	9.2	14.5	14.5	9.2
	**LRA (A)	79	79	115	115	79
	Q'ty	1	1	1	1	2
INDOOR MOTOR	P/No	4681A20022F	4681A20022F	4681A20018B	4681A20018B	4681A20025C
	Output	0.3 (Hp)	0.3(Hp)	1.5(Hp)	1.5(Hp)	3 (Hp)
	Shaft Dia	15 (mm)	15 (mm)	22 (mm)	22 (mm)	22 (mm)
	RPM	950	950	1450	1450	1500
OUTDOOR MOTOR	P/No	4681A20008Z	4681A20008Z	4681A20026D	4681A20019C	4681A20026D
	Output	0.15	0.15	0.5	0.5	1.3
	Shaft Dia	12 (mm)	12 (mm)	19 (mm)	15 (mm)	19 (mm)
	RPM	930	930	950	950	950
	Q'ty	2	2	1	1	1
OUTDOOR FAN	P/No	1A00195B	1A00195B	5901A20004A	1A00284A	5901A20004G
	Diameter	O.D 460 (mm)	O.D 460 (mm)	O.D 660 (mm)	O.D 600 (mm)	O.D 690 (mm)
INDOOR BLOWER	P/No	2A00578M	2A00578M	5835A20001A	5835A20001A	5835A20003A
	Diameter*width	270*270 (mm)	270*270 (mm)	320*320 (mm)	320*320 (mm)	380*280 (mm)
MOTOR PULLY	P/No	-	-	3A00217R	3A00217R	3A00217R
	Type	-	-	VARIABLE	VARIABLE	VARIABLE
BLOWER PULLY	P/No	-	-	4561A30001F	4561A30001F	4561A30002B
	Type	-	-	"A" TYPE	"A" TYPE	"REC-B" TYPE
	Outside Dia.	-	-	149 (mm)	149 (mm)	190 (mm)
V-VELT	P/No	-	-	4400A30001P	4400A30001P	4400A30002G
	Type	-	-	"A" TYPE	"A" TYPE	"REC-B" TYPE
	Length	-	-	48 (inch)	48 (inch)	54 (inch)
LOWER PRESSURE SWITCH	P/No	-	6600A20004C	-	6600A20004C	-
	Spec.	-	OFF:2.0kgf/ON:3.5kgf	-	OFF:2.0kgf/ON:3.5kgf	-
	Rated Voltage	-	DC 24V	-	DC 24V	-
	Maker	-	SAGINOMIYA	-	SAGINOMIYA	-
CAPACITOR for COMP	P/No	-	-	-	-	-
	Spec.	-	-	-	-	-
CAPACITOR for ***IDM	P/No	0CZZA20001C	0CZZA20001C	-	-	-
	Spec.	12μF/450V	12μF/450V	-	-	-
CAPACITOR for ****ODM	P/No	2H00841J	2H00841J	0CZZA20001E	-	0CZZA20001E
	Spec.	6μF/370V	6μF/370V	20μF/450V	-	20μF/450V
FILTER	P/No	-	-	5230A20003A 5230A20003C	5230A20003A 5230A20003C	5230A20003D
	Size	-	-	668*742(mm) 668*500(mm)	668*742(mm) 668*500(mm)	938*408(mm)
	Q'ty	-	-	2	2	2
CAPIILLIARY TUBE	P/No	3H01535K 5424AP3074J	3H02633E	5210A30040P	3H01535V	3H03750H 3H02633E 3E92334M 3H00716Z
	Spec.	I.D1.4*1000(mm) I.D1.4*1400(mm)	I.D1.4*900(mm)	I.D1.4*1100(mm)	I.D1.2*1100(mm)	I.D1.4*1100(mm) I.D1.4*900(mm)
	Q'ty	9, 8	9	13, 8	13	9, 9, 6, 6
TRANSFORMER	P/No	6171AQ2138E	6171AQ2138E	6171AQ2138D	6171AQ2138D	6171AQ2138D
	Spec.	AC 220V,450mA	AC 220V,450mA	AC 220V,450mA	AC 220V,450mA	AC 220V,450mA
CONTACTOR for COMP.	P/No	2A01031A	2A01031A	2A01031A	2A01031A	2A01031A
	Spec.	30A, 220V CONTROL	30A, 220V CONTROL	30A, 220V CONTROL	30A, 220V CONTROL	30A, 220V CONTROL
RELAY for IDM	P/No	6920AP3400A	6920AP3400A	6920AP3400A	6920AP3400A	6920AP3400A
	Spec.	220V,25A	220V,25A	220V,25A	220V,25A	220V,25A
RELAY for ODM	P/No	6920AP3400A	6920AP3400A	6920AP3400A	6920AP3400A	6920AP3400A
	Spec.	220V,25A	220V,25A	220V,25A	220V,25A	220V,25A

*RLA: RATED LOAD AMPER, **LRA: LOCK LOAD AMPER, ***IDM: INDOOR MOTOR, ****ODM:OUTDOOR MOTOR

		LK-1080CH	LK-1580HH	LK-1580CH	LK-2080CH
COMP	P/No	5417A20008G	5417A20007F	5417A20007F	5417A20007G
	Model name	H26A72QDBEA	H25G104DBVE	H26A72QDBEA	H25G144DBEE
	*RLA (A)	9.2	14.5	14.5	21.6
	**LRA (A)	79	115	115	126
	Q'ty	2	2	2	2
INDOOR MOTOR	P/No	4681A20025C	4681A20025D	681A20025D	4681A20031D
	Output	3 (Hp)	4 (Hp)	4 (Hp)	5 (Hp)
	Shaft Dia	22 (mm)	22 (mm)	22 (mm)	28 (mm)
	RPM	1500	1500	1500	3000
OUTDOOR MOTOR	P/No	4681A20026D	4681A20026D 4681A20026E	4681A20019C 4681A20019E	4681A20026D 4681A20026E
	Output	1.3	1.3	0.5	1.3
	Shaft Dia	19 (mm)	19 (mm)	15 (mm)	19 (mm)
	RPM	950	950	950	950
	Q'ty	1	1/1	1/1	1/1
OUTDOOR FAN	P/No	5901A20004G	5901A20004A	1A00284A	5901A20004A
	Diameter	O.D 690 (mm)	O.D 660 (mm)	O.D 600 (mm)	O.D 660 (mm)
INDOOR BLOWER	P/No	5835A20003A	5835A20003B	5835A20003B	5835A20003D
	Diameter*width	380*280 (mm)	380*380 (mm)	380*380 (mm)	450*454 (mm)
MOTOR PULLY	P/No	3A00217R	3A00217R	3A00217R	3A00217S
	Type	VARIABLE	VARIABLE	VARIABLE	VARIABLE
BLOWER PULLY	P/No	4561A30002B	4561A30002A	4561A30002A	4561A30003C
	Type	"REC-B" TYPE	"REC-B" TYPE	"REC-B" TYPE	"REC-B" TYPE
	Outside Dia	190 (mm)	180 (mm)	180 (mm)	457 (mm)
V-VELT	P/No	4400A30002G	4400A30002G	4400A30002G	4400A30002J
	Type	"REC-B" TYPE	"REC-B" TYPE	"REC-B" TYPE	"REC-B" TYPE
	Length	54 (inch)	54 (inch)	54 (inch)	81 (inch)
LOWER PRESSURE SWITCH	P/No	6600A20004C	-	6600A20004C	6600A20004C
	Spec	OFF:2.0kgf/ON:3.5kgf	-	OFF:2.0kgf/ON:3.5kgf	OFF:2.0kgf/ON:3.5kgf
	Rated Voltage	DC 24V	-	DC 24V	DC 24V
	Maker	SAGINOMIYA	-	SAGINOMIYA	SAGINOMIYA
CAPACITOR for COMP	P/No	-	-	-	-
	Spec	-	-	-	-
CAPACITOR for ***IDM	P/No	-	-	-	-
	Spec	-	-	-	-
CAPACITOR for ****ODM	P/No	0CZZA20001E	0CZZA20001E	-	0CZZA20001E
	Spec	20μF/450V	20μF/450V	-	20μF/450V
FILTER	P/No	5230A20003D	5230A20003F	5230A20003F	5230A20003H
	Size	938*408(mm)	1,374*458(mm)	1,374*458(mm)	750*717(mm)
	Q'ty	2	2	2	4
CAPILLIARY TUBE	P/No	3H03750H 3H02633E	3H03750K 3E92334R 5210A30040P 3E92334M	3H02633E	3H01535R
	Spec	I.D1.4*1100(mm) I.D1.4*900(mm)	I.D1.4*700(mm) I.D1.4*800(mm)	I.D1.4*900(mm)	I.D1.6*1000(mm)
	Q'ty	9, 9	10, 10, 7, 7	20	20
TRANSFORMER	P/No	6171AQ2138D	6171AQ2138D	6171AQ2138D	6171AQ2138E
	Spec	AC 220V,450mA	AC 220V,450mA	AC 220V,450mA	AC 220V,450mA
CONTACTOR for COMP.	P/No	2A01031A	2A01031A	2A01031A	2A01031C
	Spec	30A,220V CONTROL	30A,220V CONTROL	30A,220V CONTROL	40A,220V CONTROL
RELAY for IDM	P/No	6920AP3400A	6920AP3400A	6920AP3400A	6920AP3400A
	Spec	220V,25A	220V,25A	220V,25A	220V,25A
RELAY for ODM	P/No	6920AP3400A	6920AP3400A	6920AP3400A	6920AP3400A
	Spec	220V,25A	220V,25A	220V,25A	220V,25A

*RLA: RATED LOAD AMPER, **LRA: LOCK LOAD AMPER, ***IDM: INDOOR MOTOR, ****ODM:OUTDOOR MOTOR

