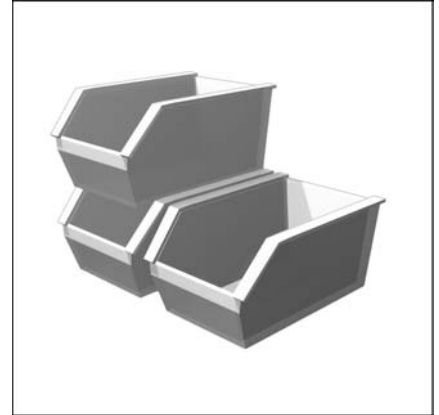


## Spare Parts List R2000

---



**This spare parts list has been made according to the latest production models. For articles not mentioned in this list, please contact the Rendamax Sales department with the boiler serial number and a part number and/or description of the article.**

Edition 11-2007

© 2007 Rendamax B.V.

All rights reserved.

No part of this publication may be copied and/or published by means of printing, photocopying, microfilming, or by electronic means, on tape or in any other manner whatsoever without the prior permission of Rendamax B.V. in writing.

We are engaged in a constant effort to improve our products. As a result of this process, the products may deviate slightly from the descriptions contained in the present document. Rendamax B.V. accepts no liability whatsoever for differences between the products delivered and the information contained in the present document.

# Heat Exchangers & Parts

| Pos |   | R2017      | R2022      | R2028      | R2034      | R2041      | R2048      |
|-----|---|------------|------------|------------|------------|------------|------------|
| 1.1 | Heat exchanger Complete CV 110°               | 2017W199AS | 2022W199AS | 2028W199AS | 2034W199AS | 2041W199AS | 2048W199AS |
| 1.1 | Heat exchanger Complete CV 115° + 120°        | 2017W199BS | 2022W199BS | 2028W199BS | 2034W199BS | 2041W199BS | 2048W199BS |
| 1.1 | Heat exchanger Complete CV ΔP switch          | 2017WP99AS | 2022WP99AS | 2028WP99AS | 2034WP99AS | 2041WP99AS | 2048WP99AS |
| 1.1 | Heat exchanger Complete IP + ZW flow switch   | 2017WT99AS | 2022WT99AS | 2028WT99AS | 2034WT99AS | 2041WT99AS | 2048WT99AS |
| 1.1 | 2nd Heat exchanger Complete IP + ZW ΔP switch | 2017WQ99AS | 2022WQ99AS | 2028WQ99AS | 2034WQ99AS | 2041WQ99AS | 2048WQ99AS |
| 1.1 | Heat exchanger Complete TÜV                   | 2017W299AS | 2022W299AS | 2028W299AS | 2034W299AS | 2041W299AS | 2048W299AS |
| 1.2 | Flow/Return Header Standard Incl. 120°        | 2017W1B1BS |            |            |            |            |            |
| 1.2 | Flow/Return Header ΔP switch                  | 2017WPB1AS |            |            |            |            |            |
| 1.3 | Reverse Header Standard                       | 2000W1A1AS |            |            |            |            |            |
| 1.2 | Flow/Return Header IP + ZW                    | 2000WTB1AS |            |            |            |            |            |
| 1.2 | Flow/Return Header IP + ZW ΔP switch          | 2000WQB1AS |            |            |            |            |            |
| 1.3 | Reverse Header Stainless                      | 2000WTA1AS |            |            |            |            |            |
| 1.2 | Flow/Return Header TÜV                        | 2017W1H1AS |            |            |            |            |            |
| 1.3 | Reverse Header TÜV                            | 2000W1G1AS |            |            |            |            |            |
| 1.4 | Support Bridge                                | -          |            |            |            |            |            |
| 1.5 | Support Bracket                               | -          |            |            |            |            |            |
| 1.6 | Split pin                                     | -          |            |            |            |            |            |
| 1.7 | O-Ring  | ARO020     |            |            |            |            |            |
| 1.8 | Flange Gasket                                 | ARP030     |            |            |            |            |            |
| -   | Silicon Grease (Tube 55 gram)                 | DLS020     |            |            |            |            |            |
| 1.9 | Pocket for sensor                             | RTP085     |            |            |            |            |            |

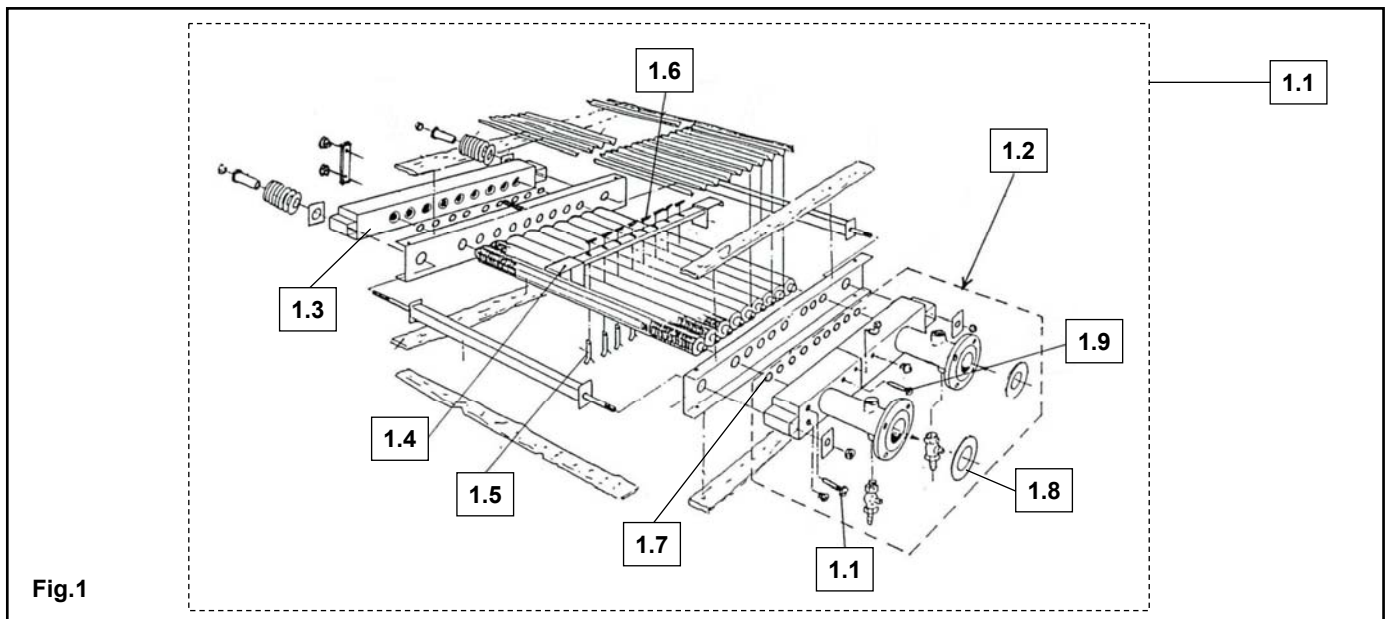


Fig.1

# Heat Exchangers & Parts

| Pos |   | R2056        | R2066      | R2077      | R2090      | R2105      | R2122      |
|-----|---|--------------|------------|------------|------------|------------|------------|
| 2.1 | Heat exchanger Complete CV 110°               | 2056W199AS   | 2066W199AS | 2077W199AS | 2090W199AS | 2105W199AS | 2122W199AS |
| 2.1 | Heat exchanger Complete CV 115° + 120°        | 2056W199BS   | 2066W199BS | 2077W199BS | 2090W199BS | 2105W199BS | 2122W199BS |
| 2.1 | Heat exchanger Complete CV ΔP switch          | 2056WP99AS   | 2066WP99AS | 2077WP99AS | 2090WP99AS | 2105WP99AS | 2122WP99AS |
| 2.1 | Heat exchanger Complete IP + ZW flow switch   | 2056WT99AS   | 2066WT99AS | 2077WT99AS | 2090WT99AS | 2105WT99AS | 2122WT99AS |
| 2.1 | 2nd Heat exchanger Complete IP + ZW ΔP switch | 2056WQ99AS   | 2066WQ99AS | 2077WQ99AS | 2090WQ99AS | 2105WQ99AS | 2122WQ99AS |
| 2.1 | Heat exchanger Complete TÜV                   | 2056W299AS   | 2066W299AS | 2077W299AS | 2090W299AS | 2105W299AS | 2122W299AS |
| 2.2 | Flow/Return Header Standard Incl. 120°        | 2056W1B1BS   |            |            |            |            |            |
| 2.2 | Flow/Return Header ΔP switch                  | 2056WPB1AS   |            |            |            |            |            |
| 2.3 | Reverse Header Standard                       | 2000W1A1AS   |            |            |            |            |            |
| 2.2 | Flow/Return Header IP + ZW                    | 2000WTB1AS   |            |            |            |            |            |
| 2.2 | Flow/Return Header IP + ZW ΔP switch          | 2000WQB1AS   |            |            |            |            |            |
| 2.3 | Reverse Header Stainless                      | 2000WTA1AS   |            |            |            |            |            |
| 2.2 | Flow/Return Header TÜV                        | 2056W1H1AS   |            |            |            |            |            |
| 2.3 | Reverse Header TÜV                            | 2000W1G1AS   |            |            |            |            |            |
| 2.4 | Support Bridge                                | 1x 2077W1C1  |            |            |            |            |            |
| 2.5 | Support Bracket                               | 16x 2077W120 |            |            |            |            |            |
| 2.6 | Split pin                                     | 8x BPS051    |            |            |            |            |            |
| 2.7 | O-Ring  | ARO020       |            |            |            |            |            |
| 2.8 | Flange Gasket                                 | ARP030       |            |            |            |            |            |
| -   | Silicon Grease (Tube 55 gram)                 | DLS020       |            |            |            |            |            |
| 2.9 | Pocket for sensor                             | RTP085       |            |            |            |            |            |

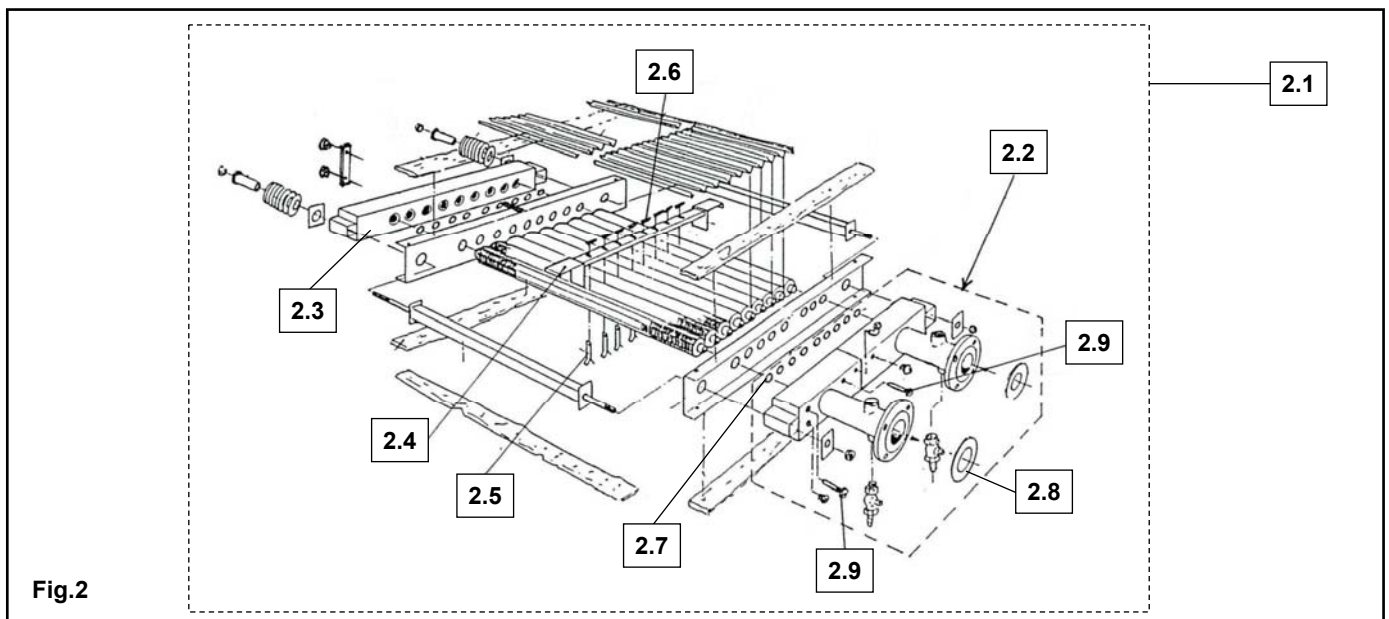


Fig.2

# Burner Parts

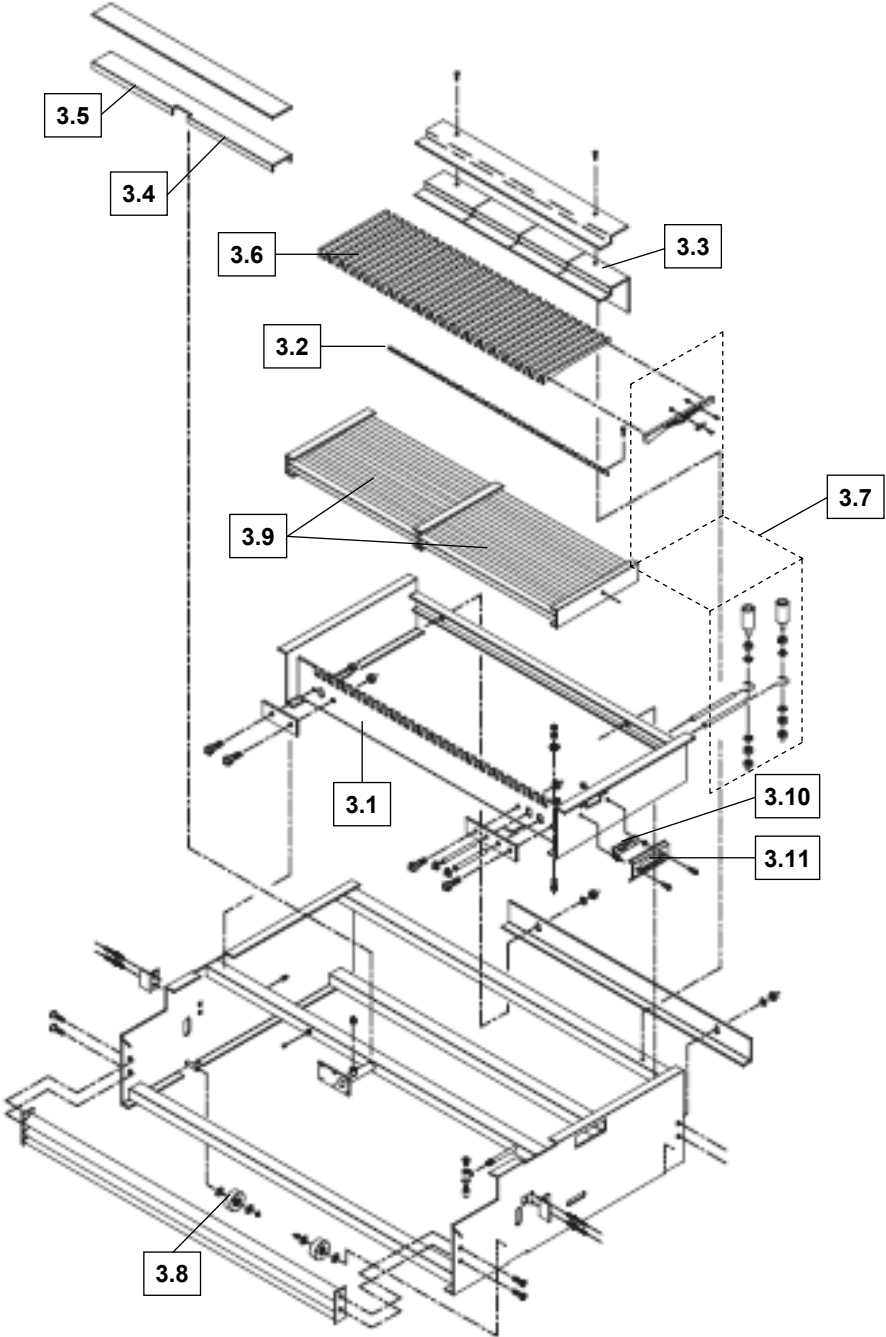


Fig.3

# Burner Parts

| Pos |  | R2017       | R2022       | R2028       | R2034       | R2041       | R2048       |
|-----|--|-------------|-------------|-------------|-------------|-------------|-------------|
| -   | Injector Standard                      | 17x RIS006  | 22x RIS006  | 28x RIS006  | 34x RIS006  | 41x RIS006  | 48x RIS006  |
| -   | Injector LPG                           | 17x RIS003  | 22x RIS003  | 28x RIS003  | 34x RIS003  | 41x RIS003  | 48x RIS003  |
| -   | Conversion Kit Nat. Gas to LPG         | 2017G1PS    | 2022G1PS    | 2028G1PS    | 2034G1PS    | 2041G1PS    | 2048G1PS    |
| -   | Conversion Kit LPG to Nat. Gas         | 2017G1AS    | 2022G1AS    | 2028G1AS    | 2034G1AS    | 2041G1AS    | 2048G1AS    |
| -   | Conversion Kit LPG to Nat. Gas 1996 CE | 2017G1DS    | 2022G1DS    | 2028G1DS    | 2034G1DS    | 2041G1DS    | 2048G1DS    |
| 3.1 | Inside housing                         | 2017B1A1    | 2022B1A1    | 2028B1A1    | 2034B1A1    | 2041B1A1    | 2048B1A1    |
| 3.2 | Burner support                         | 2017B112    | 2022B112    | 2028B112    | 2034B112    | 2041B112    | 2048B112    |
| 3.3 | Burner Down Holder                     | 1x 2017B113 | 1x 2022B113 | 1x 2028B113 | 2x 2034B113 | 2x 2041B113 | 2x 2048B113 |
| 3.4 | Cover Burner left                      | 1x 2017B114 | 1x 2022B114 | 1x 2028B114 | 1x 2034B114 | 1x 2041B114 | 1x 2048B114 |
| 3.5 | Cover Burner right                     | 1x 2017B115 | 1x 2022B115 | 1x 2028B115 | 1x 2034B115 | 1x 2041B115 | 1x 2048B115 |
| 3.6 | Burner Bar                             | 16x RIB002  | 21x RIB002  | 27x RIB002  | 33x RIB002  | 40x RIB002  | 47x RIB002  |
| 3.7 | Pilot Burner Universal                 | 0000B1FS    |             |             |             |             |             |
| -   | Burner with 2nd Ionisation             | 0000B1BA    |             |             |             |             |             |
| 3.8 | Wheel                                  | DBW001      |             |             |             |             |             |

| Pos |  | R2056       | R2066       | R2077       | R2090       | R2105       | R2122       |
|-----|--|-------------|-------------|-------------|-------------|-------------|-------------|
| -   | Injector Standard                      | 56x RIS006  | 66x RIS006  | 77x RIS006  | 90x RIS006  | 105x RIS006 | 122x RIS006 |
| -   | Injector LPG                           | 56x RIS003  | 66x RIS003  | 77x RIS003  | 90x RIS003  | 105x RIS003 | 122x RIS003 |
| -   | Conversion Kit Nat. Gas to LPG         | 2056G1PS    | 2066G1PS    | 2077G1PS    | 2090G1PS    | 2105G1PS    | 2122G1PS    |
| -   | Conversion Kit LPG to Nat. Gas         | 2056G1AS    | 2066G1AS    | 2077G1AS    | 2090G1AS    | 2105G1AS    | 2122G1AS    |
| -   | Conversion Kit LPG to Nat. Gas 1996 CE | 2056G1DS    | 2066G1DS    | 2077G1DS    | 2090G1DS    | 2105G1DS    | 2122G1DS    |
| 3.1 | Inside housing                         | 2056B1A1    | 2066B1A1    | 2077B1A1    | 2090B1A1    | 2105B1A1    | 2122B1A1    |
| 3.2 | Burner support                         | 2056B112    | 2066B112    | 2077B112    | 2090B112    | 2105B112    | 2122B112    |
| 3.3 | Burner Down Holder                     | 1x 2056B113 | 1x 2066B113 | 1x 2077B113 | 2x 2090B113 | 2x 2105B113 | 2x 2122B113 |
| 3.4 | Cover Burner right                     | 1x 2056B114 | 1x 2066B114 | 1x 2077B114 | 1x 2090B114 | 1x 2105B114 | 1x 2122B114 |
| 3.5 | Cover Burner left                      | 1x 2056B115 | 1x 2066B115 | 1x 2077B115 | 1x 2090B115 | 1x 2105B115 | 1x 2122B115 |
| 3.6 | Burner Bar                             | 55x RIB002  | 65x RIB002  | 76x RIB002  | 89x RIB002  | 104x RIB002 | 121x RIB002 |
| 3.7 | Pilot Burner Universal                 | 0000B1FS    |             |             |             |             |             |
| -   | Burner with 2nd Ionisation             | 0000B1BA    |             |             |             |             |             |
| 3.8 | Wheel                                  | DBW001      |             |             |             |             |             |

# Gastrain Parts

Types 17- 77

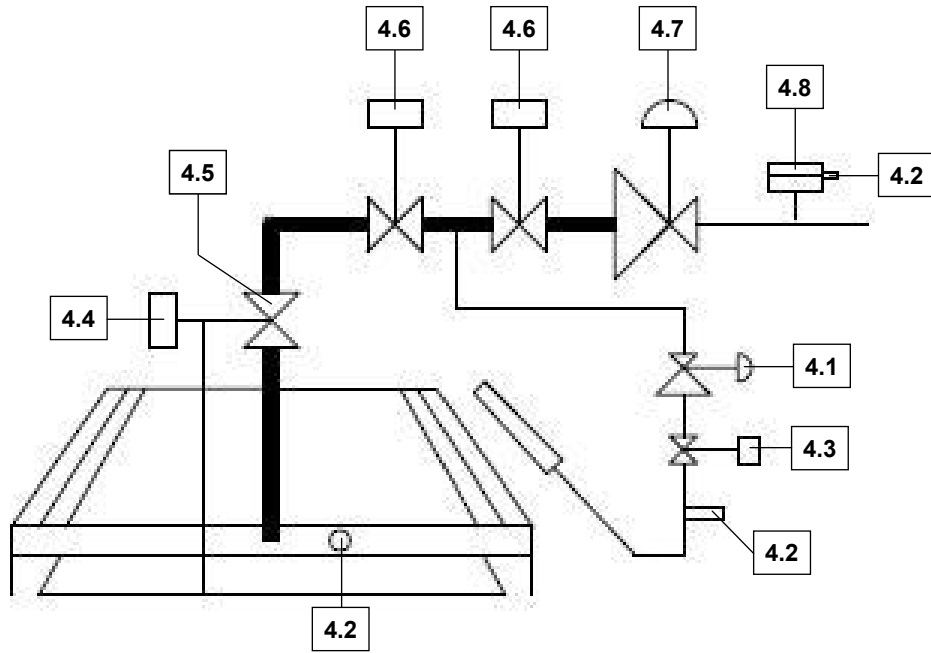


Fig.4

Types 90 - 122

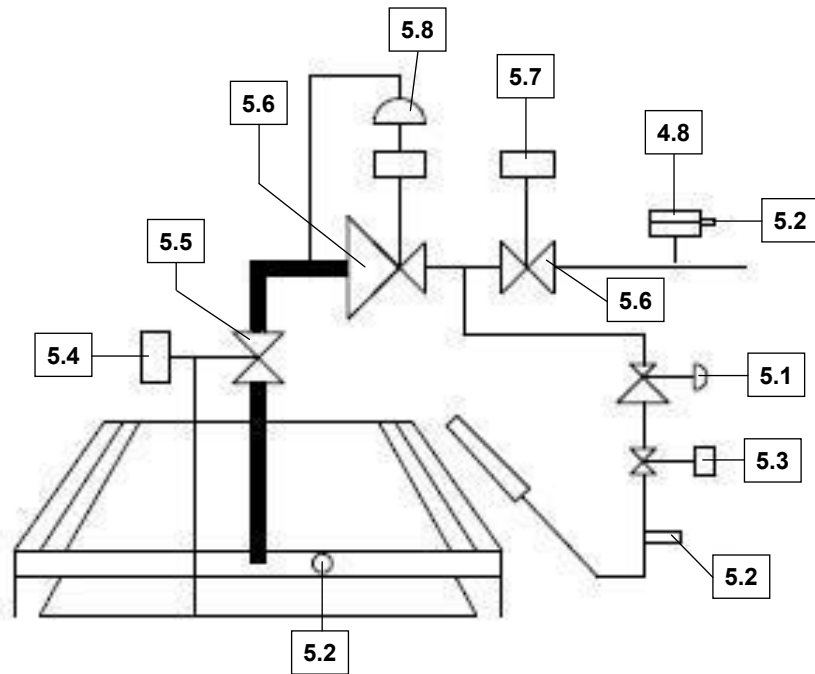


Fig.5

# Gastrain Parts

| Pos |  | R2017 | R2022    | R2028     | R2034 | R2041 | R2048      |
|-----|--|-------|----------|-----------|-------|-------|------------|
| 4.1 | Pressure Regulator Pilot Burner                        |       |          |           |       |       | RDG001     |
| 4.2 | Pressure test point                                    |       |          |           |       |       | RKD001     |
| 4.3 | Pilot Gas Valve  |       |          |           |       |       | RKS025     |
| 4.4 | Servo motor (L&G)                                      |       |          |           |       |       | RMS001     |
| 4.4 | Servo motor (L&G) SQN41 ET                             |       |          |           |       |       | RMS001AS   |
| 4.4 | Servo motor (L&G) SQN41 EM                             |       |          |           |       |       | RMS001BS   |
| 4.4 | Servo motor EM new (L&G)                               |       |          |           |       |       | RMS016A1AS |
| 4.4 | Servo motor ET (old square wire connectors) (B&G)      |       |          |           |       |       | RMS016AS   |
| 4.4 | Servo motor EM (old square wire connectors) (B&G)      |       |          |           |       |       | RMS016BS   |
| -   | Butterfly valve mounting plate O-ring                  |       |          |           |       |       | ARO105     |
| 4.5 | Butterfly valve complete                               |       | 2017G1A1 |           |       |       | 2034G1A1   |
| -   | Shaft with arm   |       |          |           |       |       | 2000G1A2   |
| -   | Butterfly Natural Gas                                  |       | 2017G106 |           |       |       | 2034G106   |
| -   | Butterfly LPG  |       | 2017G107 |           |       |       | 2034G107   |
| -   | Quadring   |       |          |           |       |       | 2x ARQ005  |
| -   | O-Ring   |       |          |           |       |       | 2x ARO130  |
| -   | Housing Butterfly valve                                |       | 2017G1A3 |           |       |       | 2034G1A3   |
| 4.6 | Gas valve  |       |          | 2x RKS100 |       |       | 2x RKS101  |
| 4.6 | Gas valve with End switch (LPG, ZW) (2nd valve)        |       |          | 1x RKS115 |       |       | 1x RKS120  |
| 4.6 | Gas valve ZW (1st valve)                               |       |          | 1x RKS109 |       |       | 1x RKS107  |
| 4.7 | Pressure regulator                                     |       |          |           |       |       | RDG060     |
| -   | Pressure regulator Spring for LPG                      |       |          |           |       |       | RDV013     |
| -   | Main Gas valve   |       |          |           |       |       | -          |
| -   | Gas valve Motor  |       |          |           |       |       | -          |
| -   | Gas valve Motor with press. Reg.                       |       |          |           |       |       | -          |
| -   | Gas valve Motor with Pressure Regulator and End Switch |       |          |           |       |       | -          |
| -   | Gas valve Spring for LPG                               |       |          |           |       |       | -          |
| -   | Gas valve Spring for Nat. Gas 10-30mbar                |       |          |           |       |       | RDV005     |
| -   | Gas valve Spring for Nat. Gas 10-30mbar                |       |          |           |       |       | RDV006     |



# Gastrain Parts

| Pos |  | R2056      | R2066 | R2077 | R2090     | R2105 | R2122 |
|-----|--|------------|-------|-------|-----------|-------|-------|
| 5.1 | Pressure Regulator Pilot Burner                        | RDG001     |       |       |           |       |       |
| 5.2 | Pressure test point                                    | RKD001     |       |       |           |       |       |
| 5.3 | Pilot Gas Valve  | RKS025     |       |       |           |       |       |
| 5.4 | Servo motor (L&G)                                      | RMS001     |       |       |           |       |       |
| 5.4 | Servo motor (L&G) SQN41 ET                             | RMS001AS   |       |       |           |       |       |
| 5.4 | Servo motor (L&G) SQN41 EM                             | RMS001BS   |       |       |           |       |       |
| 5.4 | Servo motor EM new (L&G)                               | RMS016A1AS |       |       |           |       |       |
| 5.4 | Servo motor ET (old square wire connectors) (B&G)      | RMS016AS   |       |       |           |       |       |
| 5.4 | Servo motor EM (old square wire connectors) (B&G)      | RMS016BS   |       |       |           |       |       |
| -   | Butterfly valve mounting plate O-ring                  | ARO105     |       |       |           |       |       |
| 5.5 | Butterfly valve complete                               | 2056G1A1   |       |       | 2090G1A1  |       |       |
| -   | Shaft with arm   | 2000G1A2   |       |       |           |       |       |
| -   | Butterfly Natural Gas                                  | 2056G106   |       |       | 2090G106  |       |       |
| -   | Butterfly LPG  | 2056G107   |       |       | 2090G107  |       |       |
| -   | Quadring   | 2x ARQ005  |       |       |           |       |       |
| -   | O-Ring   | 2x ARO130  |       |       |           |       |       |
| -   | Housing Butterfly valve                                | 2056G1A3   |       |       | 2090G1A3  |       |       |
| 4.6 | Gas valve  | 2x RKS101  |       |       | -         |       |       |
| 4.6 | Gas valve with End switch (LPG, ZW) (2nd valve)        | 1x RKS120  |       |       | -         |       |       |
| 4.6 | Gas valve ZW (2nd valve)                               | 1x RKS107  |       |       | -         |       |       |
| 4.7 | Pressure regulator                                     | RDG061     |       |       | -         |       |       |
| -   | Pressure regulator Spring for LPG                      | RDV014     |       |       | -         |       |       |
| 5.6 | Main Gas valve   | -          |       |       | 2x RKM001 |       |       |
| 5.7 | Gas valve Motor  | -          |       |       | RMK040    |       |       |
| 5.8 | Gas valve Motor with press. Reg.                       | -          |       |       | RMK120    |       |       |
| 5.8 | Gas valve Motor with Pressure Regulator and End Switch | -          |       |       | RMK016    |       |       |
| -   | Gas valve Spring for LPG                               | -          |       |       | RDV003    |       |       |
| -   | Gas valve Spring for Nat. Gas 10-30mbar                | RDV005     |       |       |           |       |       |
| -   | Gas valve Spring for Nat. Gas 10-30mbar                | RDV006     |       |       |           |       |       |

# Electrical Parts

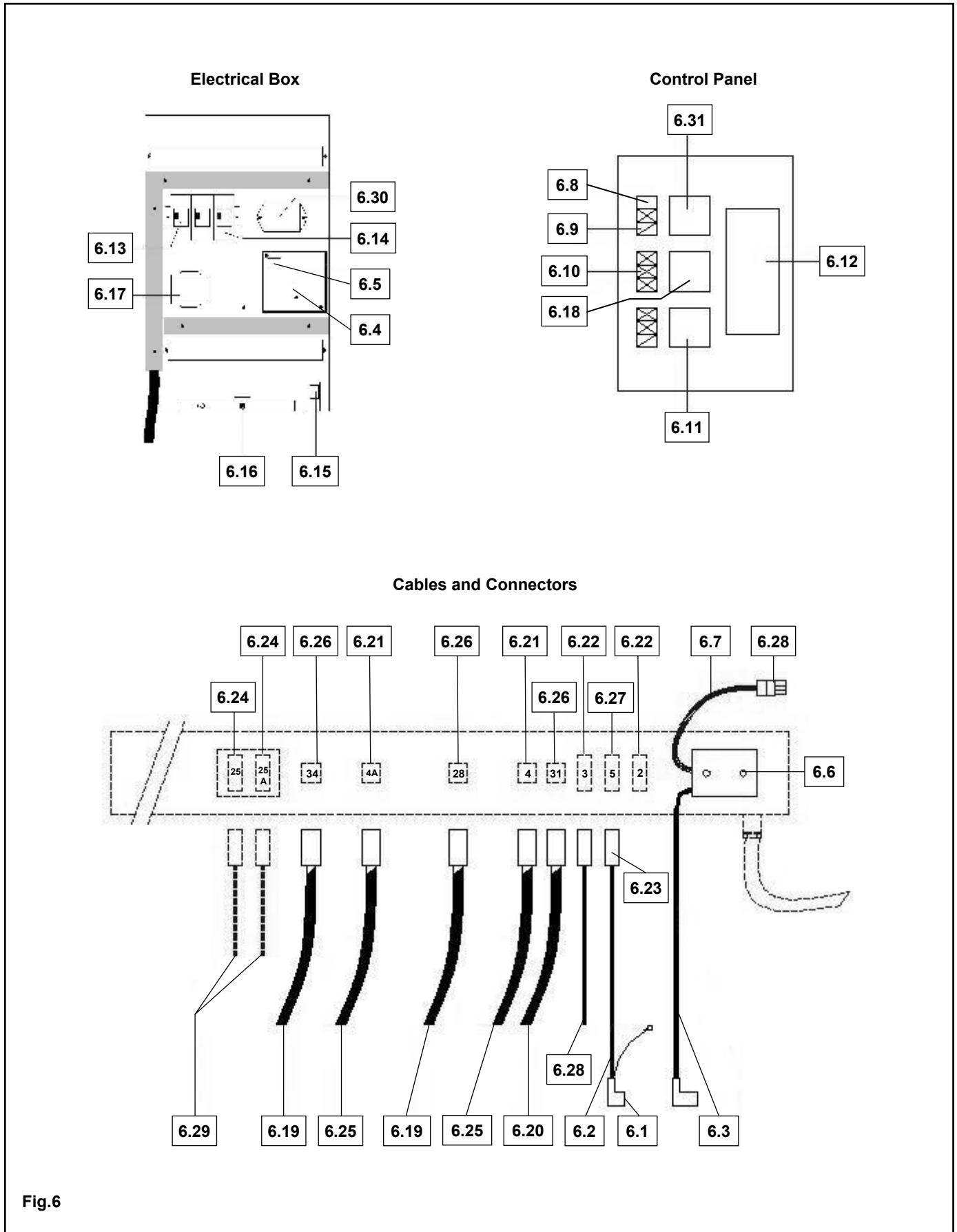


Fig.6

# Electrical Parts

| Pos  |   | R2017    | R2022 | R2028 | R2034 | R2041 | R2048  | R2056 | R2066 | R2077 | R2090 | R2105 | R2122 |
|------|---|----------|-------|-------|-------|-------|--------|-------|-------|-------|-------|-------|-------|
| -    | Isolator                                      | 0000B102 |       |       |       |       |        |       |       |       |       |       |       |
| 6.1  | Ignition/Ionisation cap                       | EVD001   |       |       |       |       |        |       |       |       |       |       |       |
| 6.1  | Short Ionisation cap                          | EVD001DS |       |       |       |       |        |       |       |       |       |       |       |
| -    | Terminal for Ionisation cap                   | EVP040   |       |       |       |       |        |       |       |       |       |       |       |
| 6.2  | Cable Ionisation Complete                     | EVD001AS |       |       |       |       |        |       |       |       |       |       |       |
| -    | Cable 2nd Ionisation Complete                 | EVD001BS |       |       |       |       |        |       |       |       |       |       |       |
| 6.3  | Cable Ignition Complete                       | ESB001   |       |       |       |       |        |       |       |       |       |       |       |
| 6.4  | Burner Control Unit                           | RBA004   |       |       |       |       |        |       |       |       |       |       |       |
| -    | Socket for Burner Control Unit                | RBV004   |       |       |       |       |        |       |       |       |       |       |       |
| 6.5  | Polarity Block AGM 30                         | RBF001   |       |       |       |       |        |       |       |       |       |       |       |
| 6.6  | Ignition Transformer                          | ETH005   |       |       |       |       |        |       |       |       |       |       |       |
| -    | Conversion to Ign. Trafo Danfoss              | ETH005DS |       |       |       |       |        |       |       |       |       |       |       |
| 6.7  | Power Supply Cable for ETH005                 | ESK005   |       |       |       |       |        |       |       |       |       |       |       |
| 6.7  | Power Supply Cable for ETH005 with EVS050     | ESK005AS |       |       |       |       |        |       |       |       |       |       |       |
| -    | Wire Stainless Steel 1.5                      | GDR002   |       |       |       |       |        |       |       |       |       |       |       |
| -    | Flow Switch                                   | RSS007   |       |       |       |       |        |       |       |       |       |       |       |
| -    | Flow Switch above 110°                        | RSS001   |       |       |       |       |        |       |       |       |       |       |       |
| 6.8  | Power Switch                                  | ELS020   |       |       |       |       |        |       |       |       |       |       |       |
| -    | Switch  | ELS010   |       |       |       |       |        |       |       |       |       |       |       |
| 6.9  | Reset Switch                                  | ELS011   |       |       |       |       |        |       |       |       |       |       |       |
| -    | Switch Double Poled                           | ELS022   |       |       |       |       |        |       |       |       |       |       |       |
| -    | Airdamper End Switch                          | RSE002   |       |       |       |       |        |       |       |       |       |       |       |
| -    | Signal Lamp Green                             | ELL010   |       |       |       |       |        |       |       |       |       |       |       |
| 6.10 | Signal Lamp Red                               | ELL011   |       |       |       |       |        |       |       |       |       |       |       |
| 6.11 | Pressure Gauge 140°                           | ROM030   |       |       |       |       |        |       |       |       |       |       |       |
| -    | Water Pressure Diff. Switch Huba 630.99004(5) | RSV001   |       |       |       |       | RSV002 |       |       |       |       |       |       |
| 4.8  | Gas Pressure Switch < 50 mbar                 | RSD020   |       |       |       |       |        |       |       |       |       |       |       |
| 4.8  | Gas Pressure Switch > 50 mbar                 | RSD016   |       |       |       |       |        |       |       |       |       |       |       |
| 6.12 | Temp. Controller RWF40                        | RRW007   |       |       |       |       |        |       |       |       |       |       |       |
| -    | Conversion Kit RWF32 to 40                    | RRW005AS |       |       |       |       |        |       |       |       |       |       |       |
| -    | RWF40 Adjustment Casing                       | DDR007   |       |       |       |       |        |       |       |       |       |       |       |
| 6.13 | Relay Finder 55.34.8.230.0040                 | ERH031   |       |       |       |       |        |       |       |       |       |       |       |
| 6.14 | Relay 100-M05-NA3 Allan Bradley               | ERT030   |       |       |       |       |        |       |       |       |       |       |       |
| 6.14 | Time Relay Omron H2A-7H                       | ERT003   |       |       |       |       |        |       |       |       |       |       |       |
| -    | Sensor  | RTV002   |       |       |       |       |        |       |       |       |       |       |       |
| -    | TTB Jumo ATH®-2                               | RTR057   |       |       |       |       |        |       |       |       |       |       |       |
| -    | Thermostat Jumo EMFf-133                      | RTR058   |       |       |       |       |        |       |       |       |       |       |       |
| 6.15 | Thermostat (max.) (120°, ZW) Jumo KMF 70/uno  | RTR055   |       |       |       |       |        |       |       |       |       |       |       |

# Electrical Parts

| Pos  |   | R2017 | R2022 | R2028 | R2034 | R2041 | R2048 | R2056 | R2066 | R2077 | R2090 | R2105 | R2122    |
|------|---|-------|-------|-------|-------|-------|-------|-------|-------|-------|-------|-------|----------|
| 6.16 | Thermostat (max.) lmit LS1              |       |       |       |       |       |       |       |       |       |       |       | RTR105   |
| 6.15 | Thermostat                              |       |       |       |       |       |       |       |       |       |       |       | INC515   |
| 6.17 | R2000 Seperation Transformer            |       |       |       |       |       |       |       |       |       |       |       | ETS005   |
| 6.18 | Temperature Gauge                       |       |       |       |       |       |       |       |       |       |       |       | ROT030   |
| 6.11 | Pressure Gauge                          |       |       |       |       |       |       |       |       |       |       |       | ROM030   |
| 6.19 | Female Connector with cable<br>(28, 34) |       |       |       |       |       |       |       |       |       |       |       | EVC020   |
| 6.20 | Female Connector with cable (31)        |       |       |       |       |       |       |       |       |       |       |       | EVC021   |
| 6.21 | Female Connector (4, 4a)                |       |       |       |       |       |       |       |       |       |       |       | EVC030   |
| 6.22 | Female Connector (2, 3)                 |       |       |       |       |       |       |       |       |       |       |       | EVC040   |
| 6.23 | Female Connector (5)                    |       |       |       |       |       |       |       |       |       |       |       | EVC050   |
| 6.24 | Female Connector (25, 25a)              |       |       |       |       |       |       |       |       |       |       |       | EVS060   |
| 6.25 | Male Connector with cable (4, 4a)       |       |       |       |       |       |       |       |       |       |       |       | EVS020   |
| 6.26 | Male Connector (28, 31, 34)             |       |       |       |       |       |       |       |       |       |       |       | EVS030   |
| 6.27 | Male Connector (5)                      |       |       |       |       |       |       |       |       |       |       |       | EVS040   |
| 6.28 | Male Connector (2, 3)                   |       |       |       |       |       |       |       |       |       |       |       | EVS050   |
| 6.29 | Male Connector B&G motor<br>(25, 25a)   |       |       |       |       |       |       |       |       |       |       |       | EVS061   |
| -    | Complete Connector Set                  |       |       |       |       |       |       |       |       |       |       |       | 2000E1AS |
| 6.30 | Net Filter                              |       |       |       |       |       |       |       |       |       |       |       | ETN051   |
| 6.31 | Hour run counter                        |       |       |       |       |       |       |       |       |       |       |       | RUB001   |
| -    | Day/night clock Grässlin Tactic         |       |       |       |       |       |       |       |       |       |       |       | RRW009   |

## Insulation Parts

| Pos  |                                | R2017       | R2022       | R2028       | R2034       | R2041       | R2048       |
|------|--------------------------------|-------------|-------------|-------------|-------------|-------------|-------------|
| -    | Insulation Brick Set           | 2017S1SBAS  | 2022S1SBAS  | 2028S1SBAS  | 2034S1SBAS  | 2041S1SBAS  | 2048S1SBAS  |
| -    | Brick Distance holder longside | 2x 2017S108 | 2x 2022S108 | 2x 2028S108 | 2x 2034S108 | 2x 2041S108 | 2x 2048S108 |
| -    | Insulation 140° for all types  | 1x GIB060AS |             |             |             |             |             |
| -    | Disassembly Set                | DEMON2000   |             |             |             |             |             |
| 3.10 | Inspection hole glass          | DBG001      |             |             |             |             |             |
| 3.11 | Inspection hole glass holder   | 2000B138    |             |             |             |             |             |

| Pos  |                                | R2056       | R2066       | R2077       | R2090       | R2105       | R2122       |
|------|--------------------------------|-------------|-------------|-------------|-------------|-------------|-------------|
| -    | Insulation Brick Set           | 2056S1SBAS  | 2066S1SBAS  | 2077S1SBAS  | 2090S1SBAS  | 2105S1SBAS  | 2122S1SBAS  |
| -    | Brick Distance holder longside | 2x 2056S108 | 2x 2066S108 | 4x 2034S108 | 4x 2041S108 | 4x 2048S108 | 4x 2056S108 |
| -    | Insulation 140° for all types  | 1x GIB060AS |             |             |             |             |             |
| -    | Disassembly Set                | DEMON2000   |             |             |             |             |             |
| 3.10 | Inspection hole glass          | DBG001      |             |             |             |             |             |
| 3.11 | Inspection hole glass holder   | 2000B138    |             |             |             |             |             |

## Air Inlet Parts

| Pos |                      | R2017      | R2022      | R2028      | R2034      | R2041      | R2048      |
|-----|----------------------|------------|------------|------------|------------|------------|------------|
| -   | Airdamper            | 2017L1AS   | 2022L1AS   | 2028L1AS   | 2034L1AS   | 2041L1AS   | 2048L1AS   |
|     | Spring               | BVT002     |            |            |            |            |            |
| 3.9 | Bottom Grid Complete | 2017B1C1AS | 2022B1C1AS | 2028B1C1AS | 2034B1C1AS | 2041B1C1AS | 2048B1C1AS |

| Pos |                      | R2056      | R2066      | R2077      | R2090      | R2105      | R2122      |  |
|-----|----------------------|------------|------------|------------|------------|------------|------------|--|
| -   | Airdamper            | 2056L1AS   | 2066L1AS   | 2077L1AS   | 2090L1AS   | 2105L1AS   | 2122L1AS   |  |
| -   | Spring               | BVT002     |            |            |            | BVT003     |            |  |
| 3.9 | Bottom Grid Complete | 2056B1C1AS | 2066B1BAAS | 2077B1BAAS | 2090B1BAAS | 2105B1BAAS | 2122B1BAAS |  |

## Other parts

| Pos |            | R2017    | R2022 | R2028 | R2034 | R2041 | R2048 | R2056 | R2066 | R2077 | R2090 | R2105 | R2122 |
|-----|------------|----------|-------|-------|-------|-------|-------|-------|-------|-------|-------|-------|-------|
| -   | Side frame | 2000S1A1 |       |       |       |       |       |       |       |       |       |       |       |





