

► Métalis 2



BAXI

► Design Métalis 2



Métalis 2, modern and practical.



BAXI FUEL BOILER MÉTALIS, A WARRANT OF THE PRICE-PERFORMANCE RELATIONSHIP, IS WORLDWIDE KNOWN. TODAY IT EXCEEDS SIMPLICITY, DESIGN AND TECHNOLOGICAL ADVANCES AND IT BECOMES MÉTALIS 2. IT FITS EACH TYPE OF INSTALLATION AND IT IS RECOMMENDED FOR NEW BUILDINGS AS WELL AS A REPLACEMENT.

NOTE THE ADVANTAGES

FAST OPERATIONAL

MÉTALIS 2 is very easy to set and its installation is extremely simple.

HIGH PERFORMANCE

It produces a great comfort in domestic hot water and its output is perfectly adjustable for any need.

SAVINGS

One of the cheapest price present in the market for this kind of boiler.

DESIGN

Thanks to its smart design and state-of-the-art ergonomics MÉTALIS 2 is user friendly and easy to operate.

RANGE

3 models allow to cover all requirements: 20, 26 and 32 kW.

VERY STRAIGHTFORWARD APPEAL

The MÉTALIS 2 appeal is applied at the first glance by the style of its rounded shape. Its lines with affluent looking dimensions shows a preferred robustness. Besides, the full base and bodywork rigidity still emphasize this aspect of its personality. The control panel is treated with great aesthetic subtlety and designed ergonomics so that users may easily manage their heating and hot water.

VERY SUITABLE HOT WATER COMFORT

MÉTALIS 2 hot water production is regular and plentiful. The 32 kW model can produce 200 litres of hot water in 10 minutes for example, either the equivalent of a bath or shower or 4 baths in one hour. Depending on power the 95 litre tank

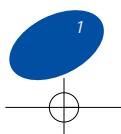
operates in accordance with the water bath principle. It is enamelled without chrome for total protection and is immersed in the boiler body.

Of course it has an inspection flap and detachable magnesium anode, controllable from the outside without draining.

MÉTALIS 2 Models		20	26	32
Tank capacity	l.	95	120	120
Max (DHW) temperature	°C	80	80	80
DHW output in 10 min at t 35°C	l.	175	200	200
DHW hourly output at t 35°C *	l.	460	650	650

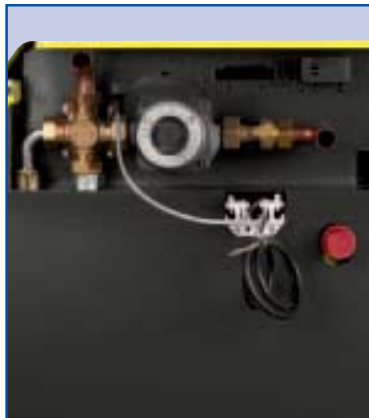
* (during the 1st hour)

15° C cold water – 85° C heating water.
7 bar max tank operating pressure
3 bar max heating circuit pressure



EASIER INSTALLATION

MÉTALIS 2 is ready to be installed and its easy start up was specially designed. Thanks to a new production process MÉTALIS 2 is provided with a 4 way valve and a heating pump. The results are saving in time during installation, saving of space and easiness of utilization for all MÉTALIS 2 users.



A new conception specially planned for gaining time during intervention

BAXI RELIABILITY

The steel boiler exchanger picks up all the great principles specific to the make which are tried and tested for output and robustness. The smooth combustion chamber is fully accessible through a wide opening door.

The generous water capacity with a generous size of combustion chamber and flues (0.15 mbar load losses) provide better heat exchange to the advantage of burner flame flaring, allowing MÉTALIS 2 to achieve a very comfortable acoustic level.

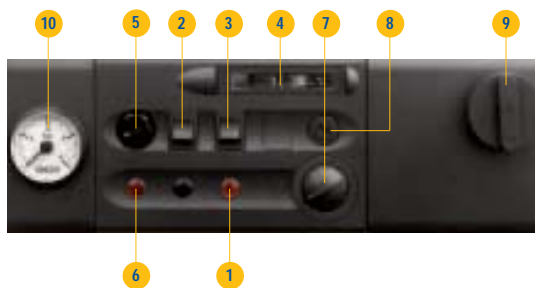
Combustion performance up to 90% is improved by cast iron movable optimizers.

TECHNICAL SPECIFICATIONS ACCORDING TO RT 2000.

MÉTALIS 2 Models		20	26	32
Type of generator		Heating and combi		
Type of boiler		Standard		
Flue exhaust		Chimney		
Nominal output	kW	18/20	22/26	27/32
Useful output	th/h	15,5/17,2	18,9/22,4	23,3/27,5
Heat output	kW	22,6	29,7	36,2
Heating water capacity	l	68	89	89
Domestic water tank capacity	l	95	120	120
Power supply		230 V - 50 HZ		
Max heating water pressure	bar	3		
Nominal flow boiler P	mbar	15	20	20
Flue gas flow rate	kg/h	37	47	58
Flue temperature for 20°C Ta	°C	225	201	220
Required draught	mbar	0,15		
Maintenance consumption coefficient at T = 50 K	%	1,4	1,4	1,16
Boiler flue gas volume	l	34	36	45
Combustion chamber volume	l	28	32	35
Efficiency with 100% load and 70°C	%	88,5	87,5	87,2
Efficiency with 30% load and 50°C	%	88,1	91,3	88,3
Auxiliary electric output	W	196		
Nominal water flow rate at PN T = 15 K	m³/h	1,17	1,52	1,87
Test report reference	n°	9702G01	9970231	9770103
Organization		CETIAT		
CE reference		49AS040R		
Gross weight	kg	175	200	205
Net weight	kg	150	175	180
Ø Flue gas outlet	mm	125	139	153
Max operating temperature	°C	90	90	90
Fuel burner (depending on version)		HELIS 500 R		

ADDITIONAL TECHNOLOGICAL ASSETS

CONTROL PANEL



MÉTALIS 2 control panel.

- 1 Power on indicator
- 2 Pump on switch
- 3 On/Off switch
- 4 Thermometer
- 5 Overheating security thermostat
- 6 Overheating security indicator
- 7 Boiler thermostat
- 8 Fuse
- 9 Radiators temperature regulation
- 10 Manometer (option)

AMBIENCE THERMOSTAT

The MÉTALIS 2 regulations allow checking the ambient temperature by controlling the heating module 4 way valve.



REV 32 programmable ambient thermostat.



ECOCONTROL SP / 1 M

- REV 32 controls the ambient temperature and manages up to 3 heating periods for each day of the week.
- ECOCONTROL SP/1M adjusts the heating temperature according to the external one and allows multiple heating programming.

► Métalis 2 sectional view

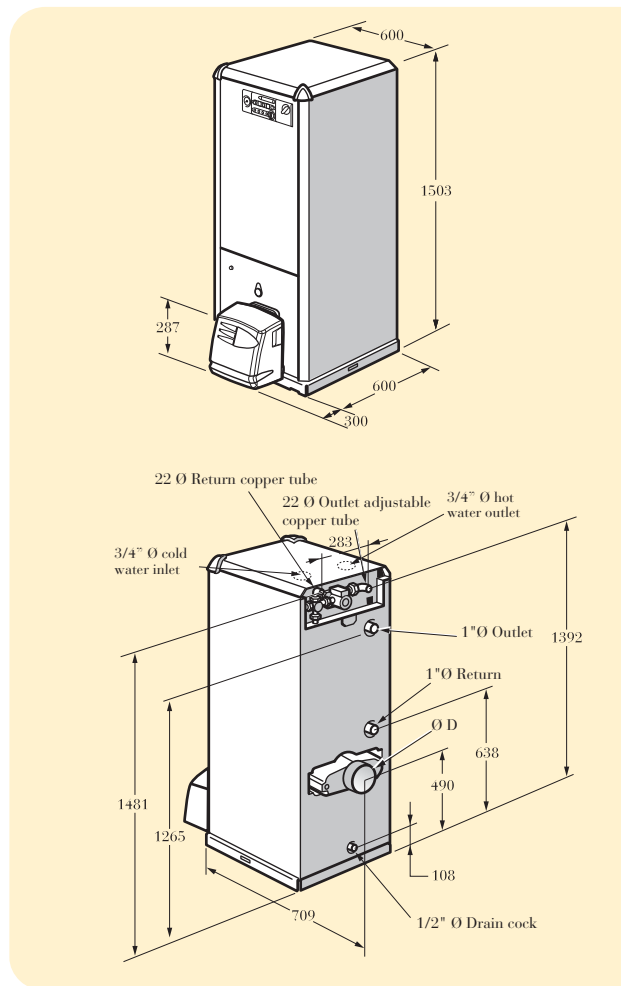


- 1 Epoxy lacquered steel outer casing with rounded corners
- 2 Adjustable feet
- 3 Manual regulation control panel
- 4 Movable optimizers and cast iron smoke box
- 5 Left or right opening combustion chamber access door
- 6 HELIS 500 R burner as optional
- 7 High water capacity smooth combustion chamber
- 8 Generously sized flues
- 9 Hydraulic connections accessible at rear
- 10 Prewired for heating pump, valve motor and ambience thermostat
- 11 Complete base
- 12 Enamelled tank with protective anode
- 13 Integrated heating module



TECHNICAL SPECIFICATIONS

SUPPLIED



METALIS 2	Supplied ▲ Standard ● Option
GENERAL SPECIFICATIONS	
▲	• Tested steel boiler exchanger, fitted with combustion optimizers
▲	• 95 or 120 l enamelled steel hot water tank with detachable protective anode and inspection flap immersed in boiler
▲	• Yellow lacquered steel outer casing
▲	• Glass wool insulation on boiler body
▲	• Manual regulation control panel
▲	• 4 way valve and regulation integrated in the control panel: - non-return valve in the heating flow - heating pump
▲	• Fuel burner supplied separately
FITTINGS	
▲	• Sweeping brush
▲	• Base with adjustable feet
▲	• Left/right opening burner bracket door
OPTIONS	
●	• Heating and safety module with 4 way mixer valve
●	• Ecocontrol sensor SP/1M
●	• Front expansion tank and pressure gauge
●	• REV 32 valve control ambience thermostat
●	• Domestic water module (mixer, NF safety unit, domestic water expansion vessel)
●	• Domestic water connections module

BAXI

157, AVENUE CHARLES FLOQUET
93158 LE BLANC-MESNIL CEDEX - FRANCE
TÉLÉPHONE : + 33 (0) 1 45 91 56 00
FAX: + 33 (0) 1 45 91 56 18
www.baxifrance.com

BAXI s.a.

LIMITED COMPANY WITH 43 214 640 EURO CAPITAL
R.C.S. BOBIGNY B 602 041 675 - A.P.E. 282D
A member of BAXI GROUP LTD

