



www.esbe.se



SERIES CRA110

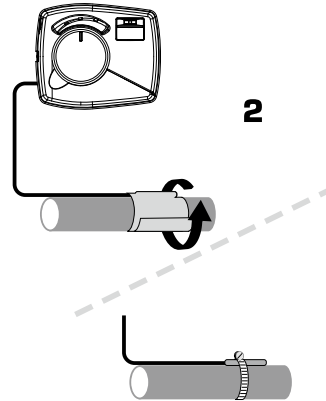
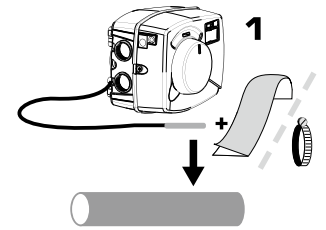
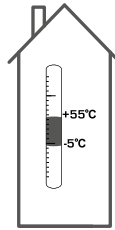


NO.1 IN HYDROMIC SYSTEM CONTROL

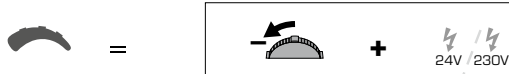
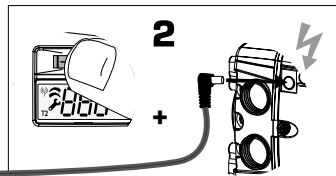
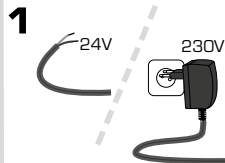
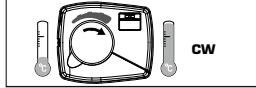
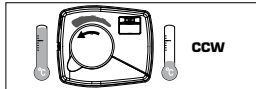
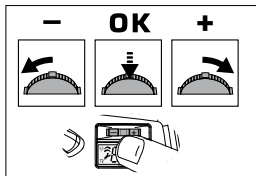


Series CRA111
Series CRA112

CE
LVD 2006/95/EC
EMC 2004/108/EC
RoHS 2002/95/EEC

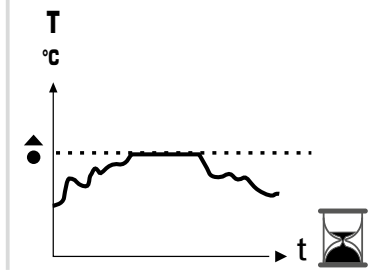
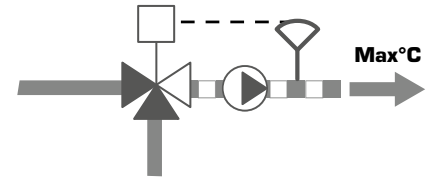


Mtrl.nr. 9814 03 90 • Rit.nr. 9210 utg. B • Rev. 1012

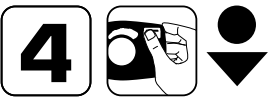
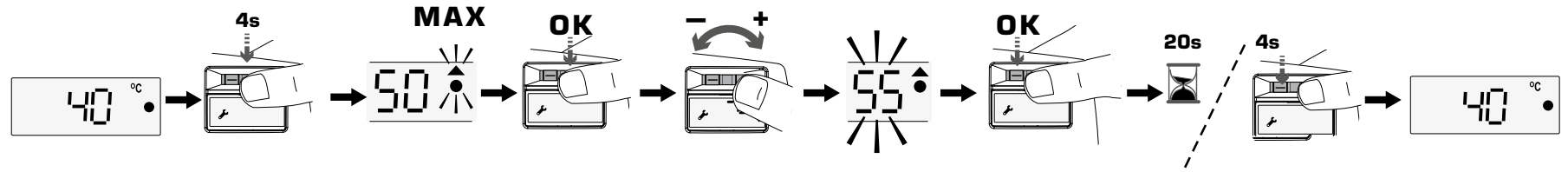




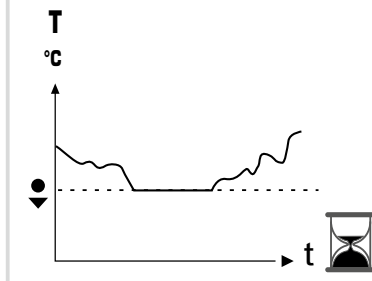
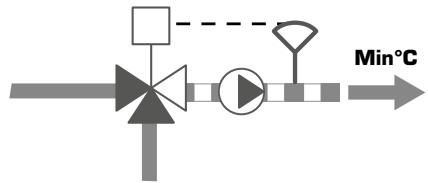
▲ = MAX



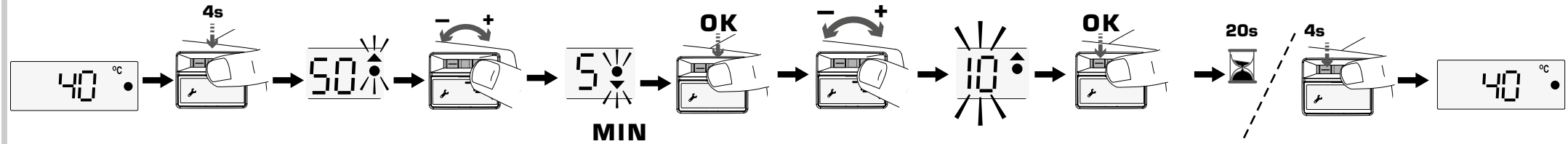
	50 °C
	~40 - 50 °C
	~60 - 80 °C
	60 °C

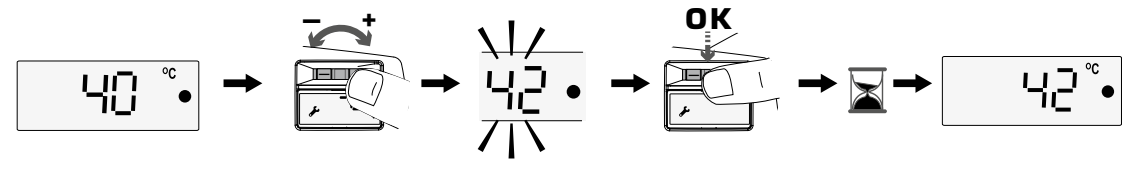
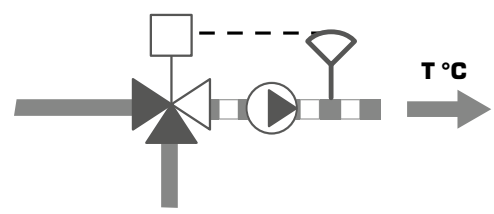
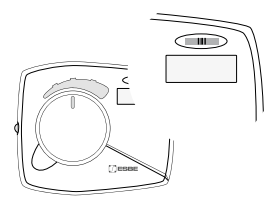


● = MIN

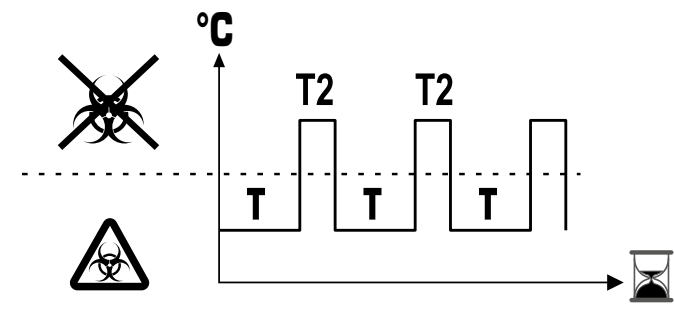
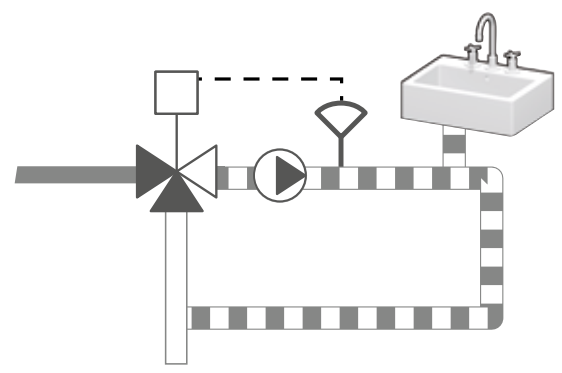


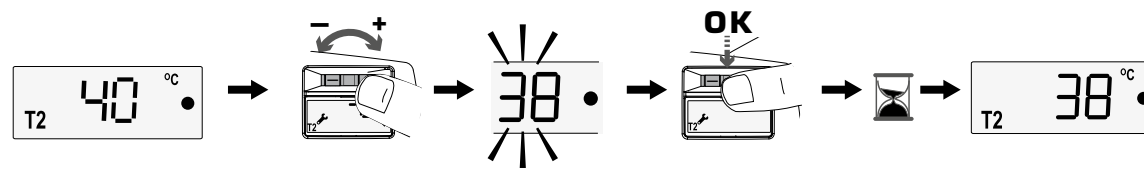
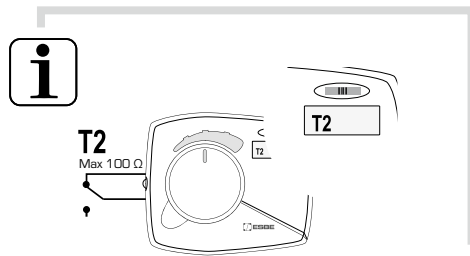
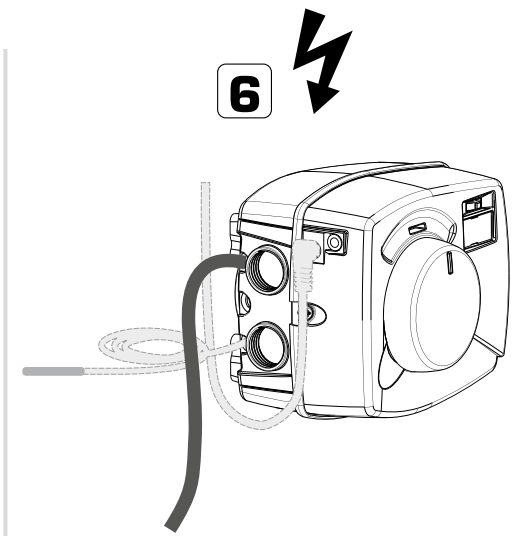
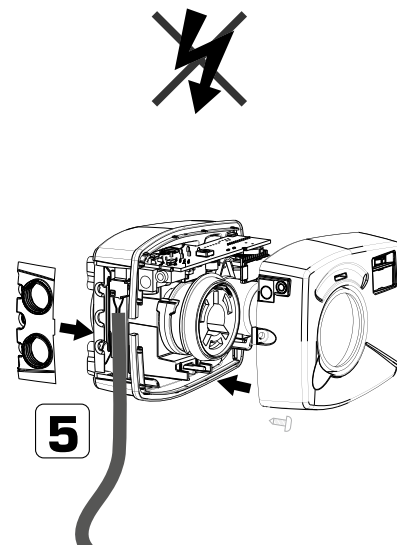
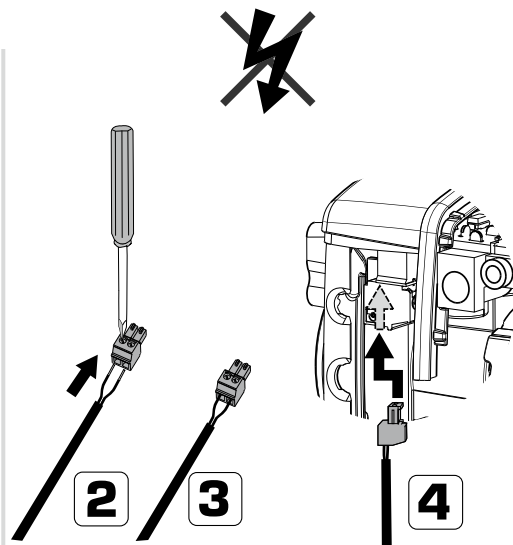
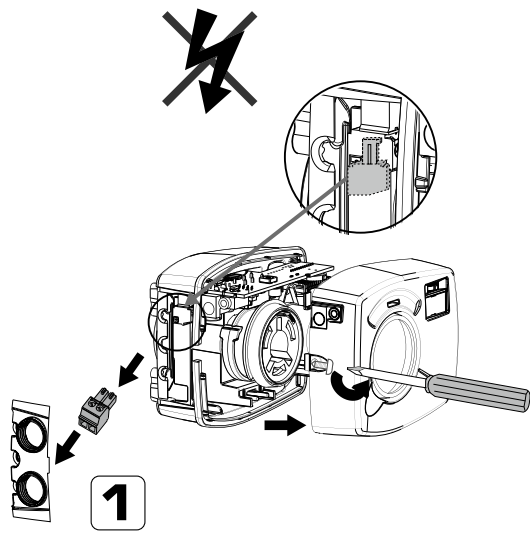
	5 °C
	~5 - 25 °C
	~5 - 25 °C
	~5 - 25 °C





T2





T

