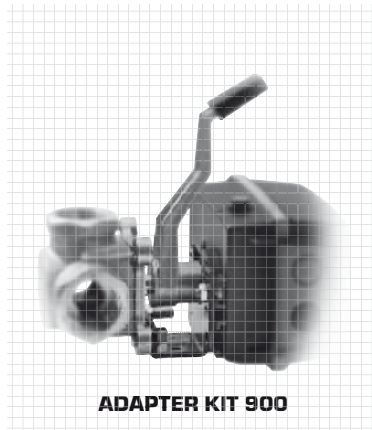




www.esbe.se



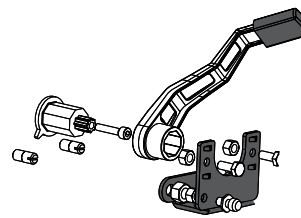
ADAPTER KIT 900



NO.1 IN HYDRONIC SYSTEM CONTROL



Series 90
Series 90C
Series 90K

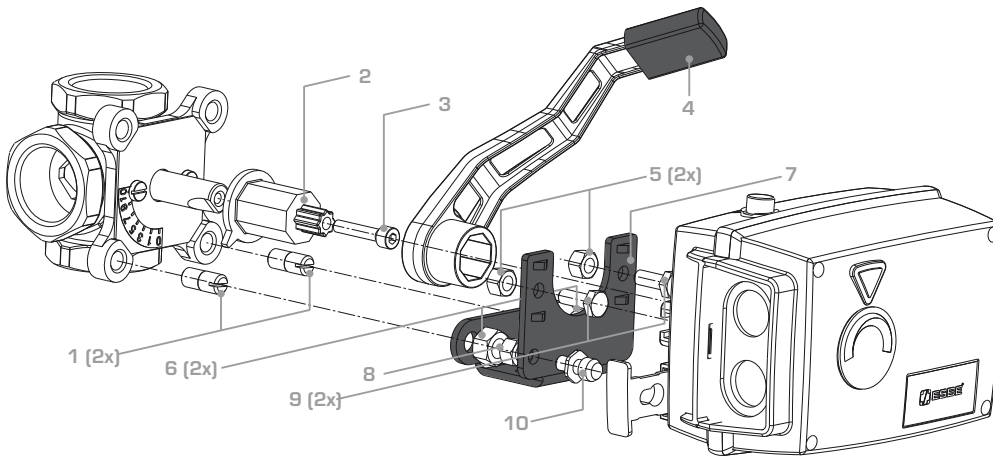


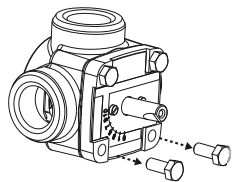
+



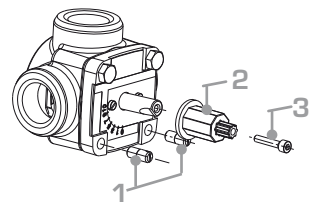
Mtrl.nr. 98140307 • Ritznr. 9153 utg. B • Rev. 0806

1 Series MG, G, F, BIV, H/HG, T/TM

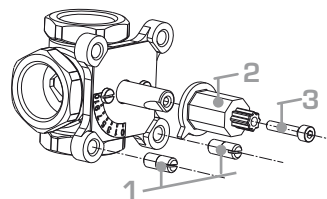




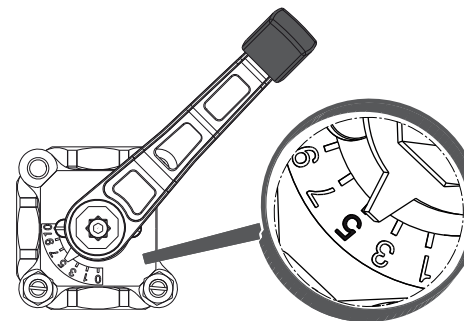
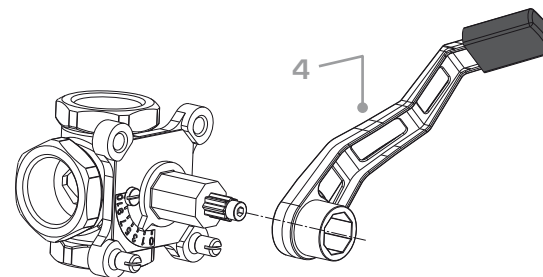
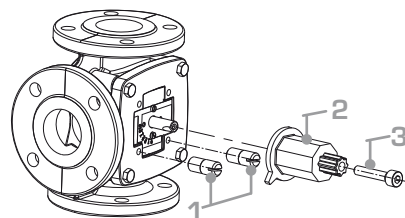
Series G



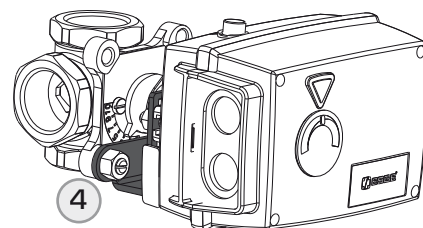
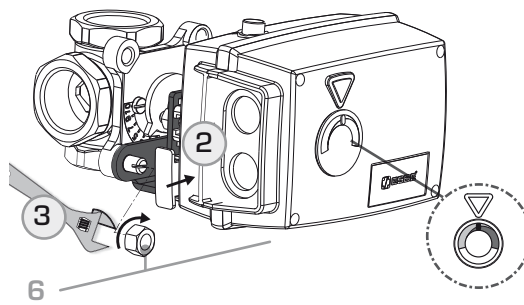
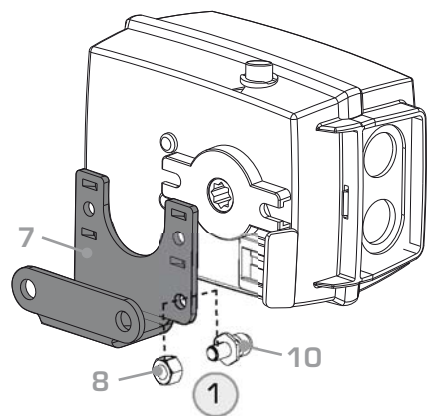
Series MG, BIV, H/HG, T/TM



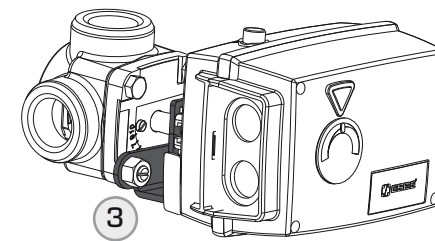
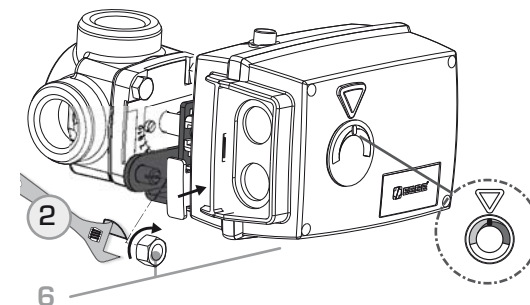
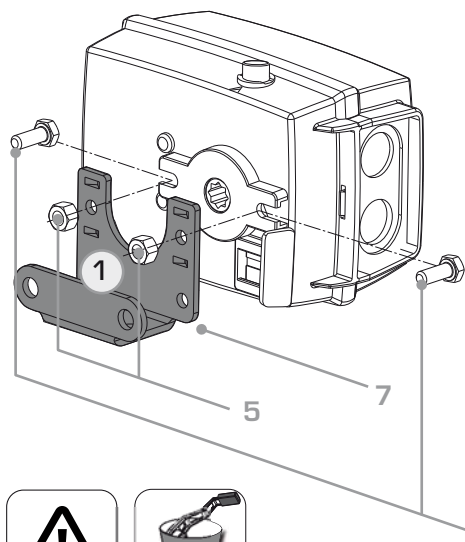
Series F



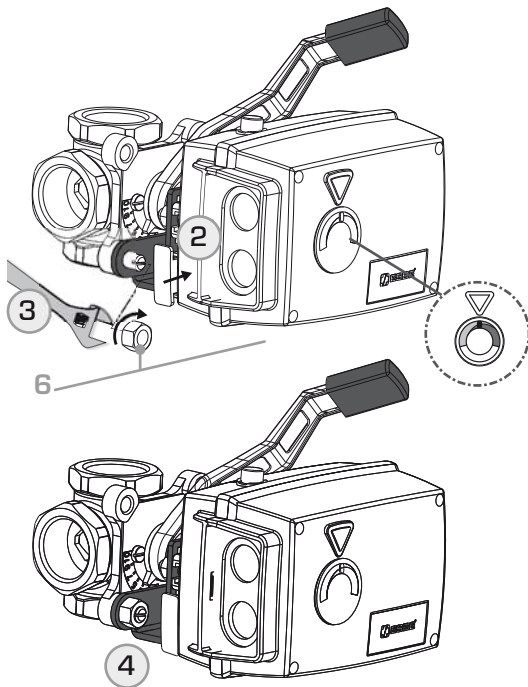
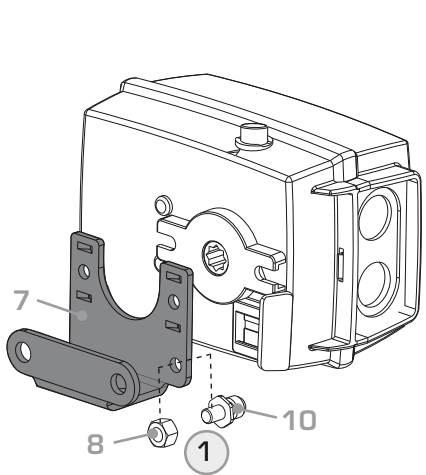
4a Series 92P4, 95M-270 - DN 15-40,



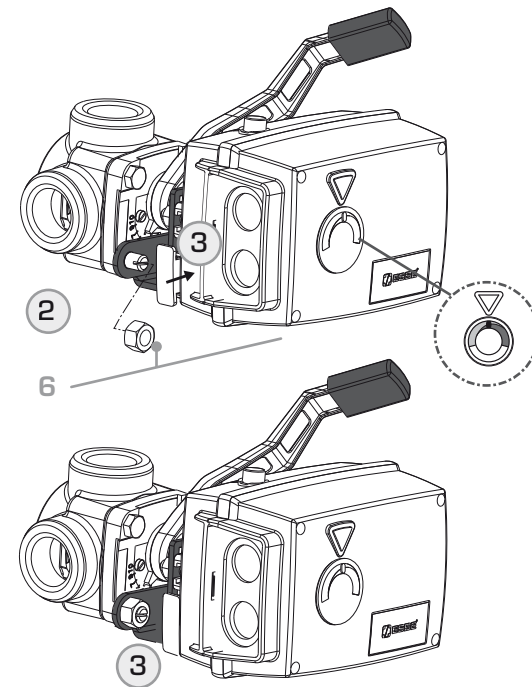
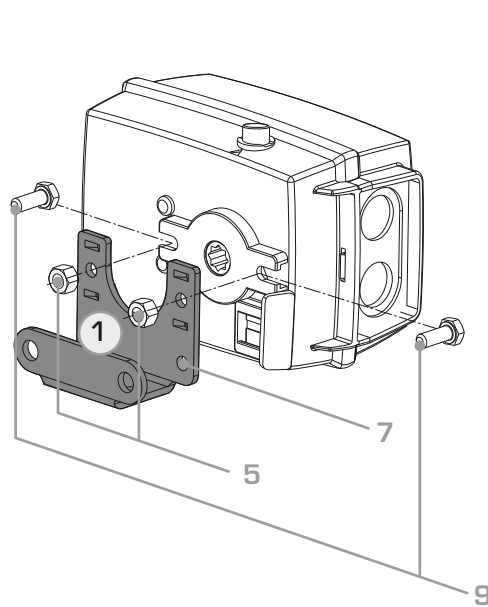
4b Series 92P4, 95M-270 - DN 50-150



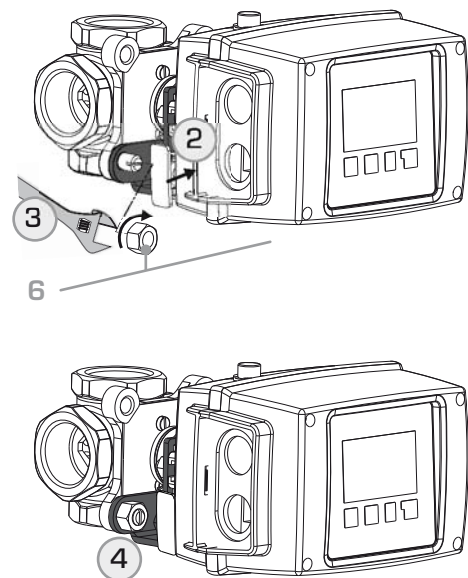
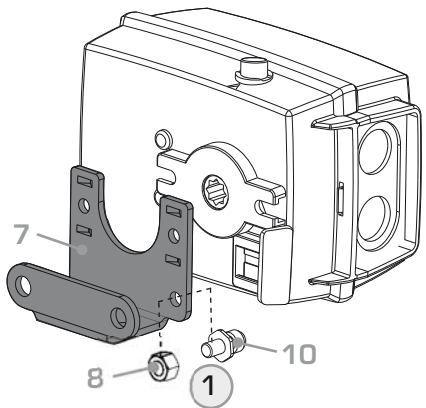
4c Series 90, 90K - DN15-40



4d Series 90, 90K - DN50-150



4e Series 90C - DN 15 - 40



4f Series 90C - DN 50 - 150

