



www.esbe.se



SERIES 90

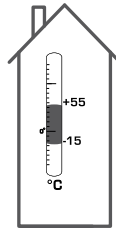


NO.1 IN HYDROMIC SYSTEM CONTROL

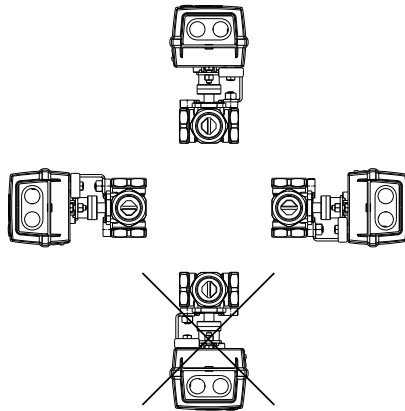
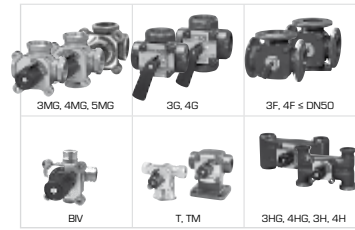


Series 90

CE
LVD 2006/95/EC
EMC 89/336/EEC
RoHS 2002/95/EEC

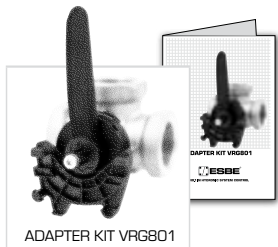


+





+

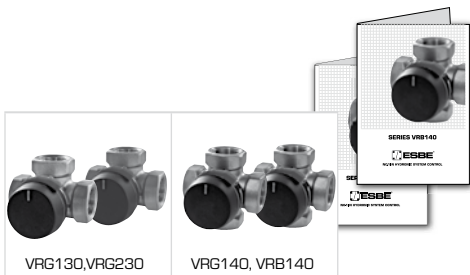


ADAPTER KIT VRG801



ADAPTER KIT VRG900

+



VRG130, VRG230

VRG140, VRB140

+



3G, 4G

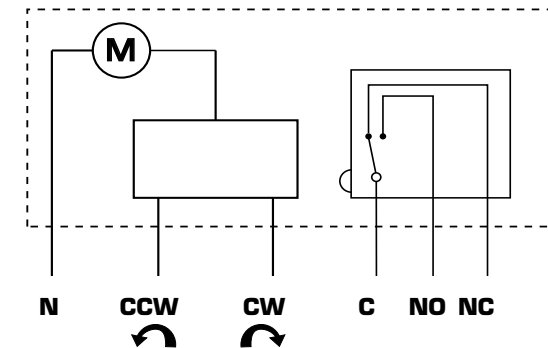
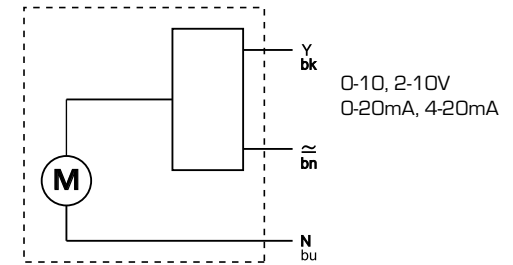
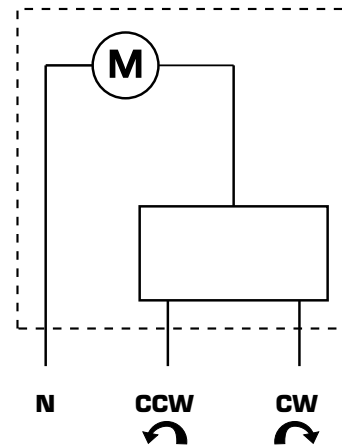
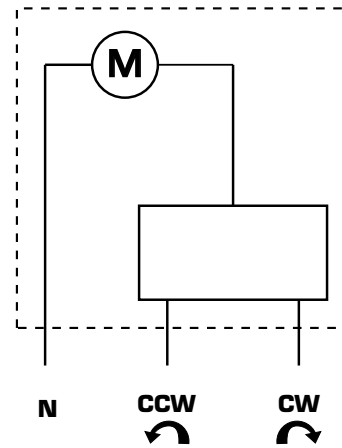
3F, 4F

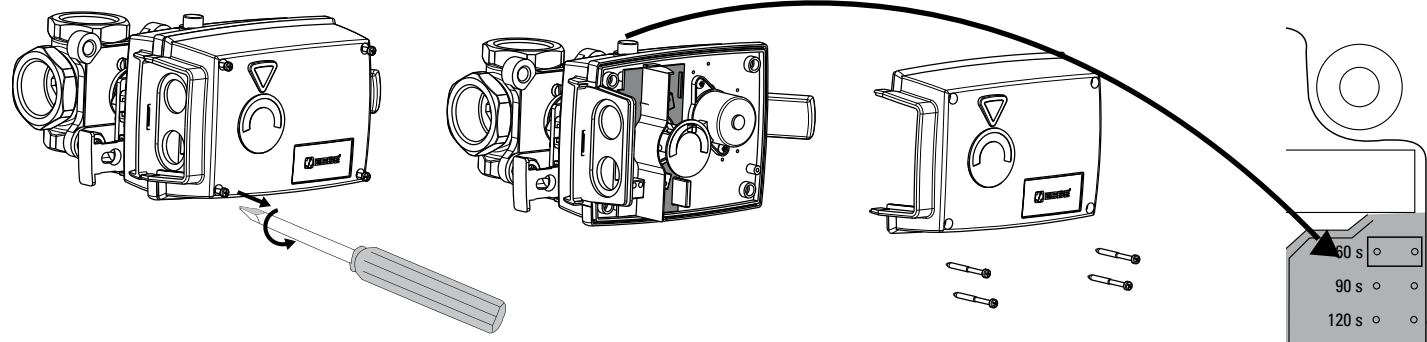
3MG, 4MG, 5MG

BIV

T, TM

3HG, 4HG, 3H, 4H

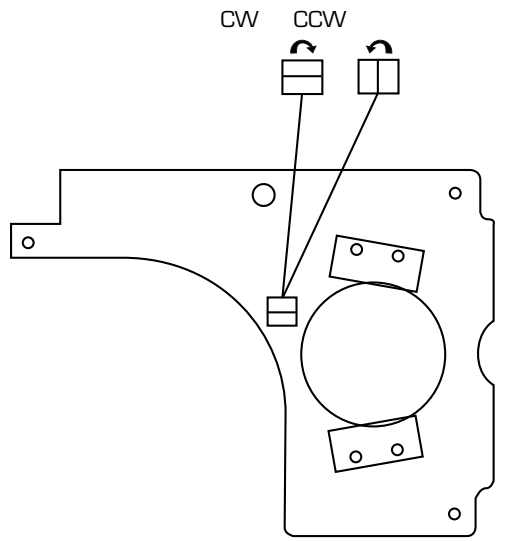




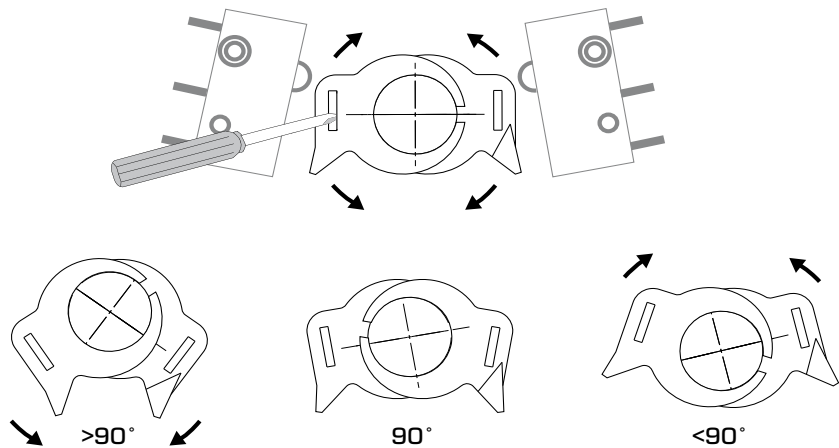
91P	92P	92P2	92P4
15 s <input type="checkbox"/>	60 s <input type="checkbox"/>	120 s <input type="checkbox"/>	130 s <input type="checkbox"/>
30 s <input type="checkbox"/>	90 s <input type="checkbox"/>	180 s <input type="checkbox"/>	260 s <input type="checkbox"/>
45 s <input type="checkbox"/>	120 s <input type="checkbox"/>	240 s <input type="checkbox"/>	390 s <input type="checkbox"/>
15 s <input type="checkbox"/>	60 s <input type="checkbox"/>	120 s <input type="checkbox"/>	130 s <input type="checkbox"/>
30 s <input type="checkbox"/>	90 s <input type="checkbox"/>	180 s <input type="checkbox"/>	260 s <input type="checkbox"/>
45 s <input type="checkbox"/>	120 s <input type="checkbox"/>	240 s <input type="checkbox"/>	390 s <input type="checkbox"/>

60 s <input type="checkbox"/>	90 s <input type="checkbox"/>	120 s <input type="checkbox"/>	Reverse <input type="checkbox"/>
Reverse <input type="checkbox"/>	OFS <input type="checkbox"/>	DIV <input type="checkbox"/>	CUR <input type="checkbox"/>
0-20 mA	OFS <input type="checkbox"/>	DIV <input type="checkbox"/>	CUR <input type="checkbox"/>
4-20 mA	OFS <input type="checkbox"/>	DIV <input type="checkbox"/>	CUR <input type="checkbox"/>
0-10 V	OFS <input type="checkbox"/>	DIV <input type="checkbox"/>	CUR <input type="checkbox"/>
2-10 V	OFS <input type="checkbox"/>	DIV <input type="checkbox"/>	CUR <input type="checkbox"/>
0-5 V	OFS <input type="checkbox"/>	DIV <input type="checkbox"/>	CUR <input type="checkbox"/>
1-5 V	OFS <input type="checkbox"/>	DIV <input type="checkbox"/>	CUR <input type="checkbox"/>

97 - 98

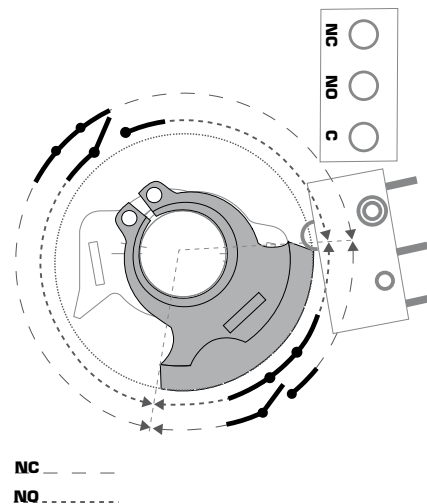


i



i

91M-96M, 90-270M

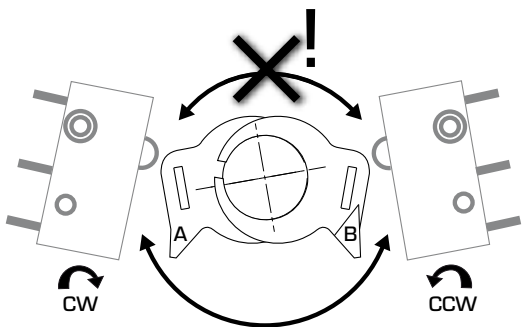


i

91-96, 91M-96M, 90SL, 97-98



▷ 90°

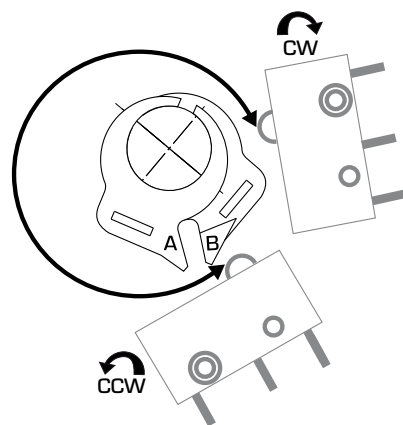


i

90-270M



▷ 270°

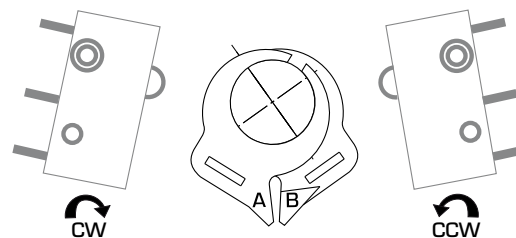


i

92P2



▷ 180°



i

92P4



▷ 355°

