

Parts List

Air Conditioner

FILE NO.

INDOOR UNIT

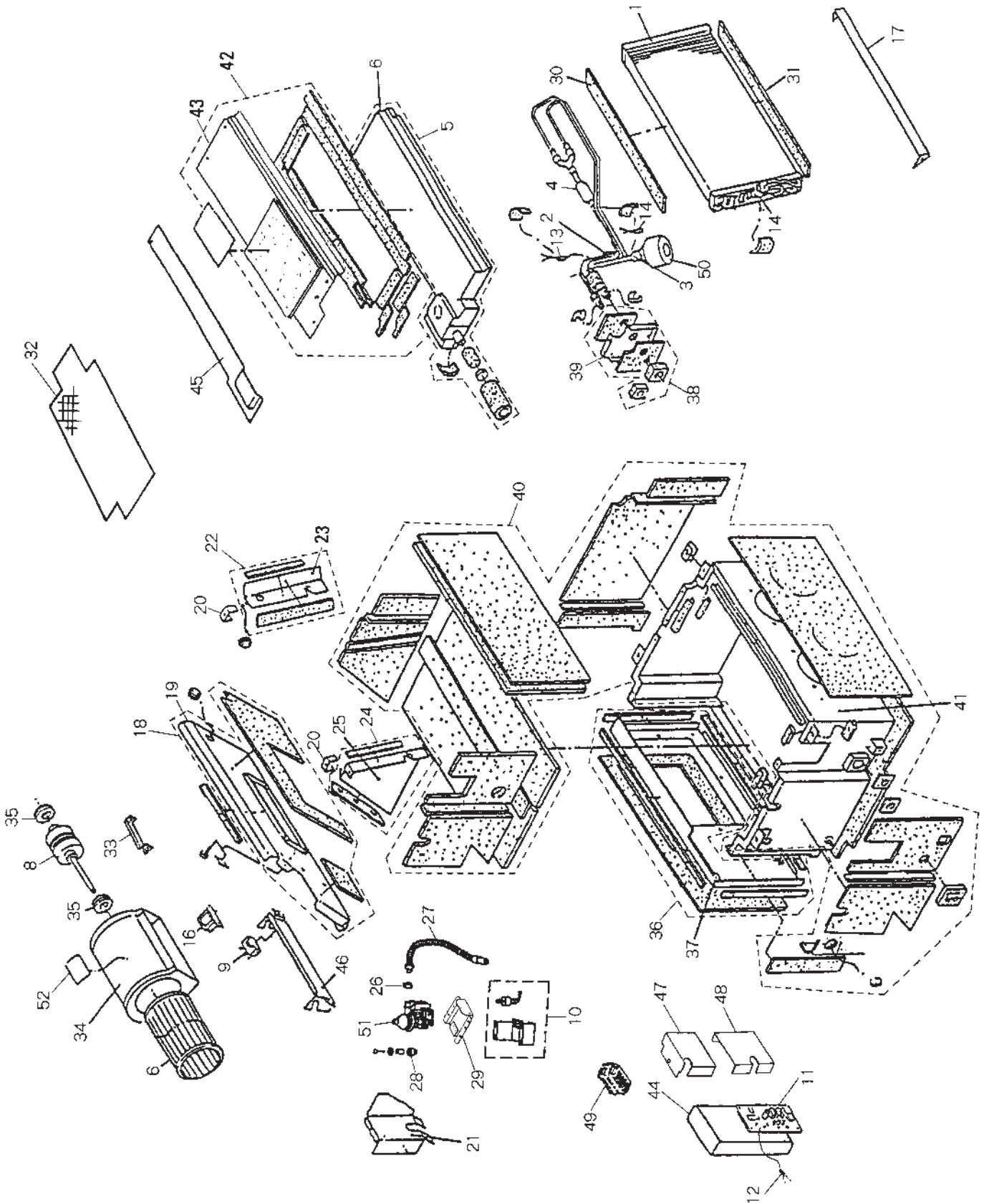
SPW-AS123GH56

INDOOR UNIT		APPLICABLE OUTDOOR UNIT	VOLT / ϕ / Hz
MODEL No.	PR. CODE No.	MODEL No.	
SPW-AS123GH56	854 011 42	SPW-C703GY8	IN : 220-240 / 1 / 50 OUT : 380-415 / 3 / 50
		SPW-C903GY8	
		SPW-C703GYH8	
		SPW-C903GYH8	

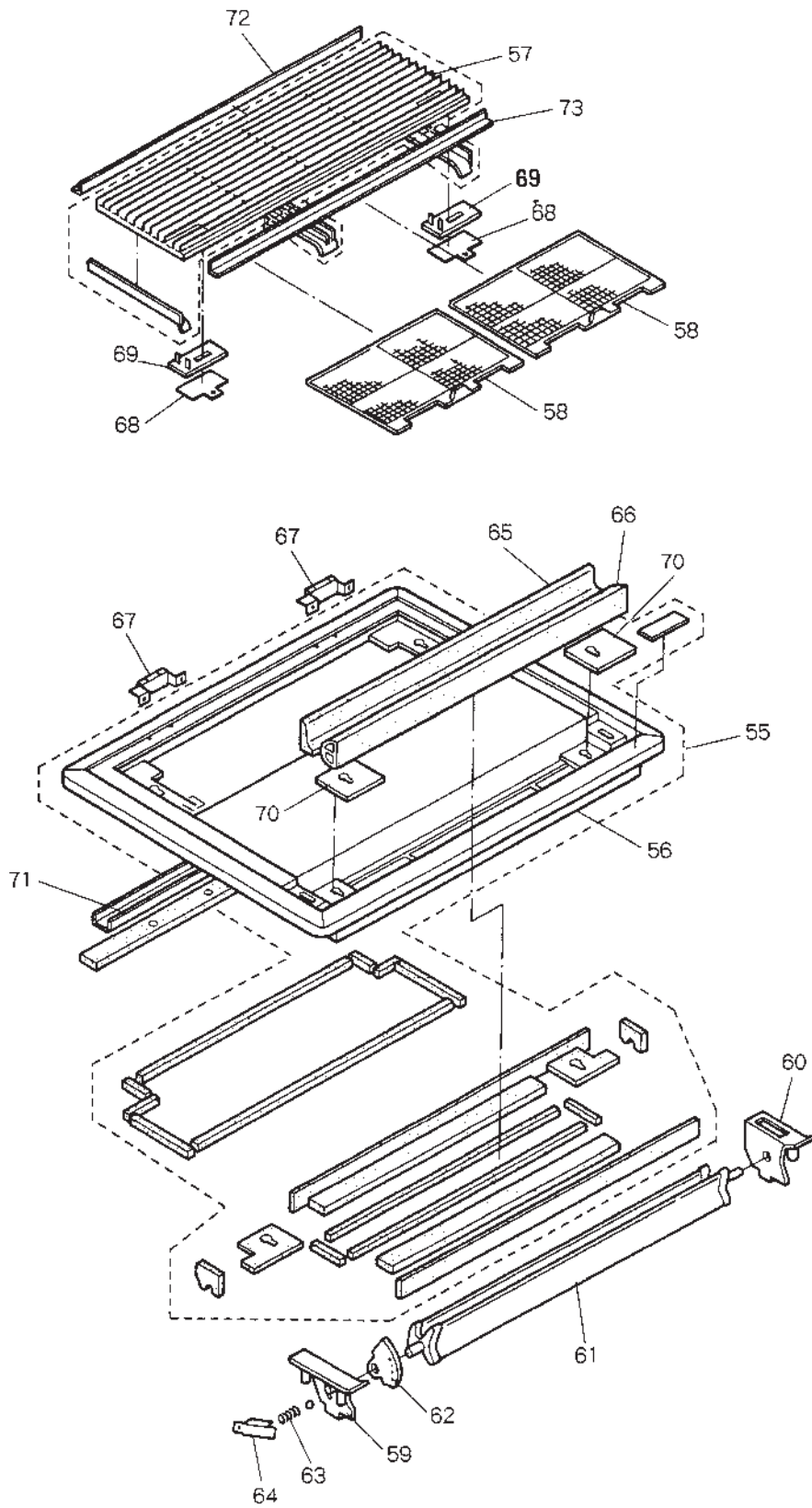
CONTENTS

■ EXPLODED VIEW	2
● Indoor Unit	
SPW-AS123GH56	2
● Top Panel	
PNR-AS123GHA	3
■ PARTS LIST	4
● Indoor Unit	
SPW-AS123GH56	4, 5
■ ELECTRIC WIRING DIAGRAM	6

SPW-AS123GH56
Indoor Unit



PNR-AS123GHA
TOP PANEL



ATTENTION !

To ensure correct parts supply, please let us know followings,
when you make service parts order:

1. Part No. 2. Description 3. Q' ty 4. Volts-Hz-Ph 5. Product Model No.

Key No.	Part No.	Description	Q' ty	Reference No.
* 1	638 011 1329	Heat Exchanger Ass' y (incl No. 2-4)	1	854-0-4119-39800
* 2	623 098 4622	Strainer Ass' y	1	854-0-4522-12600
* 3	638 011 3736	Solenoid Control Valve	1	854-2-4548-12200
* 4	623 105 0166	Strainer Ass' y	1	854-0-4522-13500
* 5	638 007 8981	Drain Pan Ass' y (incl No. 6)	1	854-0-2301-44800
* 6	638 007 8998	Drain Pan Ass' y	1	854-0-2301-44200
* 7	638 007 0527	Centrifugal Pan Ass' y	1	854-0-2501-22700
* 8	638 007 9001	Fan Motor Ass' y UE6Q-21B3P	1	854-0-5202-07000
* 9	638 011 0148	Fixed Capacitor 440V, 1.0MF	1	4-2239-57220
* 10	638 011 0155	Switch Ass' y FS-0218-102	1	854-0-5152-01400
* 11	638 010 9074	P. C. B. Ass' y CR-X253GH	1	854-0-5178-09700
* 12	638 010 9104	Thermistor (Indoor Air) KTEC35-S6	1	854-0-5259-11200
* 13	638 011 0162	Thermistor (Indoor Coil) PBC-41E-S26	1	854-0-5259-11800
* 14	638 011 0179	Thermistor (Indoor Coil) PBC-41E-S25	1	854-0-5259-13700
* 15	638 011 0186	Thermistor (Indoor Coil) PBC-41E-S25	1	854-0-5259-12700
* 16	638 011 0247	Transformer Ass' y ATR-11215TB	1	854-0-5263-05300
17	638 007 9032	Air Cut	1	854-2-2512-12201
18	638 007 9056	Partition Plate Ass' y (incl. No. 19)	1	854-0-2516-20700
19	638 007 9049	Partition Plate Ass' y	1	854-0-2516-19601
20	623 077 0768	Mounting Plate, Evaporator	2	854-2-2303-21800
21	638 007 9063	Cover Plate	1	854-2-2307-15501
22	638 007 9087	Mounting Plate, Evaporator incl No. 23	1	854-2-2303-29300
23	638 007 9070	Mounting Plate, Evaporator	1	854-2-2303-29001
24	638 007 9094	Mounting Plate, Evaporator incl No. 25	1	854-2-2303-29400
25	638 007 9100	Mounting Plate, Evaporator	1	854-2-2303-29201
26	623 077 2205	Clip	1	854-2-2315-10301
27	623 101 8999	Drain Pipe Ass' y	1	854-0-4297-12900
28	638 004 9523	Cushion Rubber	4	854-2-2318-13800
29	638 007 9117	Mounting Plate Ass' y	1	854-0-2323-46101
30	623 079 3330	Insulation, Evaporator	1	854-2-2404-19600
31	623 079 3323	Insulation, Evaporator	1	854-2-2404-19500
32	638 011 1336	Guard	1	854-2-1113-18501
33	623 079 7932	Mounting Plate	1	854-2-2518-31201
34	638 007 9124	Fan Casing Ass' y	1	854-0-2502-23901
35	623 131 4206	Cushion Rubber	2	852-2-2511-15900
36	638 007 9131	Rear Cover (incl No. 37)	1	854-2-1109-35500
37	638 007 9148	Rear Cover	1	854-2-1109-35401
38	638 007 9155	Cover Plate (incl No. 39)	1	854-2-1133-29100
39	638 011 1343	Cover Plate	1	854-2-1133-30801
40	638 007 9179	Cabinet Ass' y (incl No. 41)	1	854-0-1104-25400
41	638 011 1350	Cabinet Ass' y	1	854-0-1104-27901
42	638 007 9209	Cover Ass' y (incl No. 43)	1	854-0-2325-32200
43	638 007 9193	Cover Ass' y	1	854-0-2325-31401
44	638 011 1367	Elec. Component Box Ass' y	1	854-0-5301-68101
45	638 007 9216	Cover Plate	1	854-2-5304-42501
46	638 007 9223	Elec. Component Box Ass' y	1	854-0-5301-61401
47	638 011 1374	Cover Plate Ass' y	1	854-0-5304-17501
48	638 011 2838	Cover Plate	1	854-2-5304-45201
49	638 010 8183	Terminal Base	1	1FJ-4-J3A0-02200
50	638 011 3620	Magnetic Coil	1	1FJ-4-L8A0-02700

NOTE: Metal and plastic parts will be supplied basically with necessary heat insulation pads or packing. Each key number with an asterisk (*) means the recommended service parts.

ATTENTION !

To ensure correct parts supply, please let us know followings,
when you make service parts order:

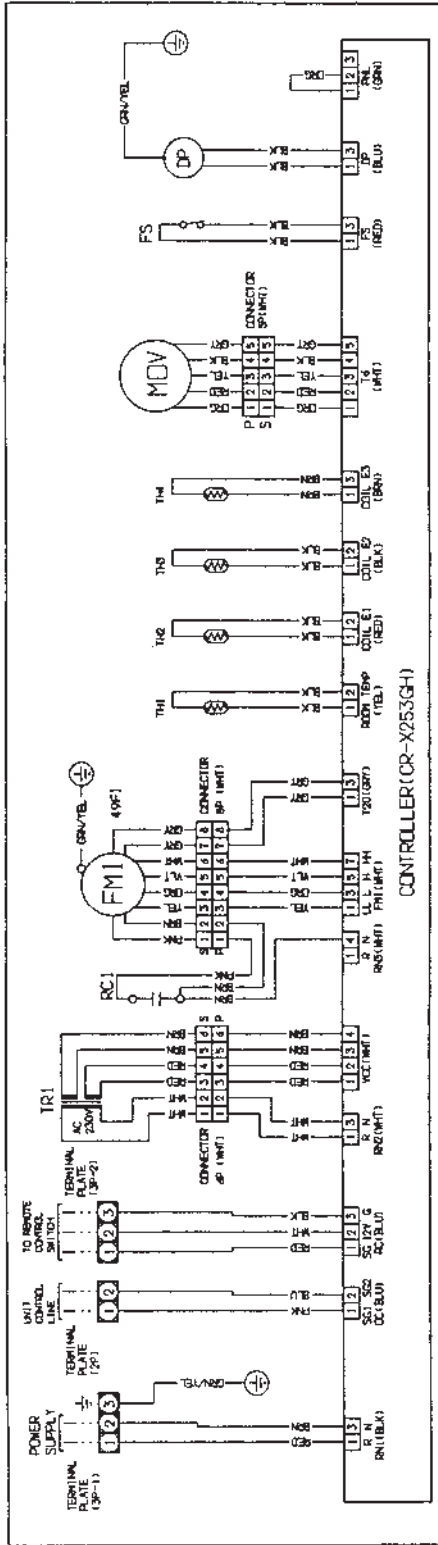
1. Part No. 2. Description 3. Q' ty 4. Volts-Hz-Ph 5. Product Model No.

Key No.	Part No.	Description	Q' ty	Reference No.
51	638 011 0216	Drain Pump Ass'y WP20SL-14	1	854-0-5264-02200
52	638 011 0223	Electric Wiring Diagram	1	854-2-5268-41100
53	638 010 9395	Operation Manual	1	854-6-4189-10900
54	638 011 0230	Panel Ass'y PNR-AS123GHA incl No. 55-	1	859-344-71
55	638 007 9599	Top Panel (incl No. 56)	1	854-2-1112-32900
56	638 007 9278	Top Panel	1	854-2-1112-21503
57	638 007 9285	Air Intake Grille Ass'y	1	854-0-1110-13605
58	623 095 4410	Frame Filter Ass'y	2	854-0-1302-14230
59	638 007 9292	Cap, Top Panel	1	854-2-1114-10900
60	638 007 9308	Lamp Cover	1	854-2-1323-11300
61	638 007 9315	Blade Louver Ass'y	1	854-0-1505-33401
62	638 007 9322	Support Louver	1	854-2-1111-19803
63	623 072 8332	Coil Spring	1	854-2-1341-10700
64	623 072 1852	Mounting Plate	1	854-2-1129-47701
65	638 007 9605	Insulation	1	854-2-1411-43601
66	638 007 9612	Insulation	1	854-2-1411-43701
67	623 067 9979	Hinge Ass'y	2	854-0-2312-10201
68	623 072 1845	Mounting Plate	2	854-2-1129-47101
69	638 007 9339	Hook Plate	2	854-2-1130-14303
70	623 072 6642	Mounting Plate	2	854-2-1309-12801
71	623 072 6659	Mounting Plate	1	854-2-1309-12901
72	623 072 0589	Mounting Plate, Grille	1	854-2-1123-13101
73	623 072 0596	Mounting Plate, Grille	1	854-2-1123-13201

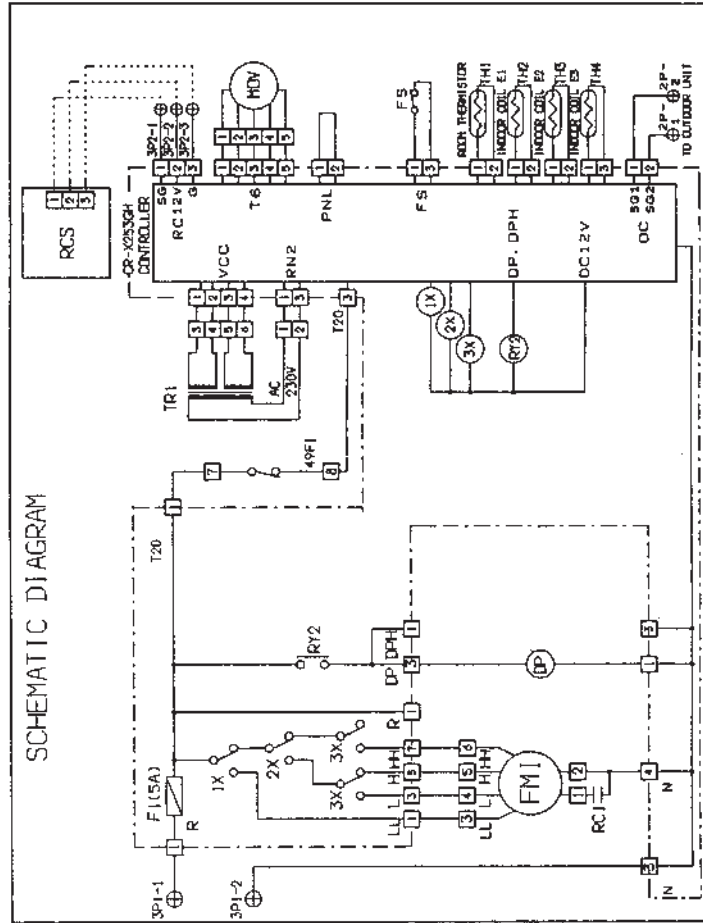
NOTE: Metal and plastic parts will be supplied basically
with necessary heat insulation pads or packing.
Each key number with an asterisk (*) means the
recommended service parts.

ELECTRIC WIRING DIAGRAM

ELECTRIC WIRING DIAGRAM



SYMBOLS	DESCRIPTION
FMI	INDOOR FAN MOTOR
49F1	INDOOR NOISE REDUCING PROTECTOR
RC1	RUNNING CAPACITOR
F1	FUSE
DP	DRAIN PUMP
TR1	POWER TRANSFORMER
IX-3X	AUXILIARY RELAY
RV	MOTOR OPERATED VALVE
FS	FLOAT SWITCH
RCS	REMOTE CONTROL SWITCH
TH1	DEEP THERMISTOR
TH2	THERMISTOR (INDOOR COIL E1)
TH3	THERMISTOR (INDOOR COIL E2)
TH4	THERMISTOR (INDOOR COIL E3)
CR-X2S3GH	INDOOR CONTROLLER
⊕	TERMINAL PLATE
□	CONNECTOR



SANYO

SANYO Electric Co., Ltd.
Osaka, Japan

T0896 (A) 300 Printed in Japan