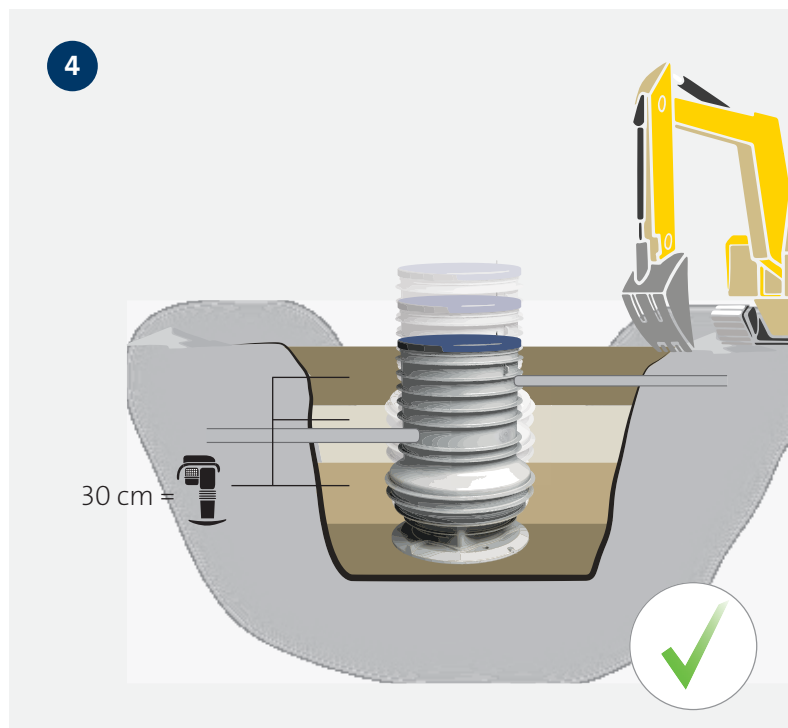
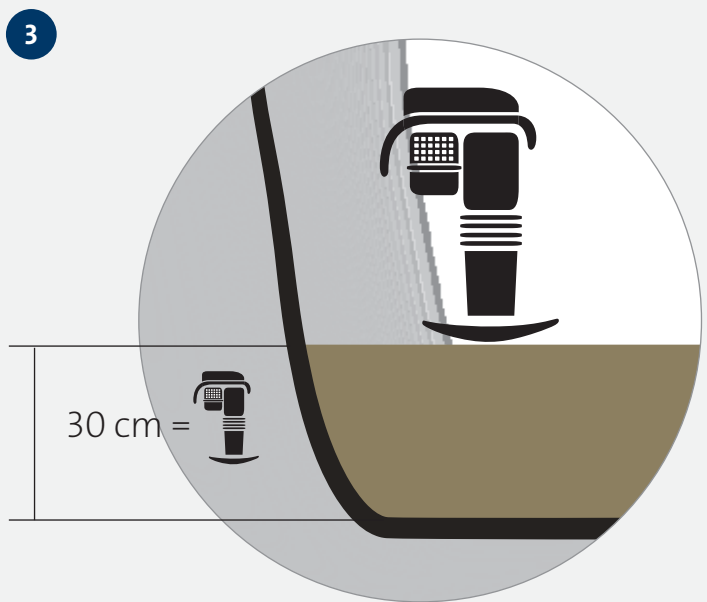
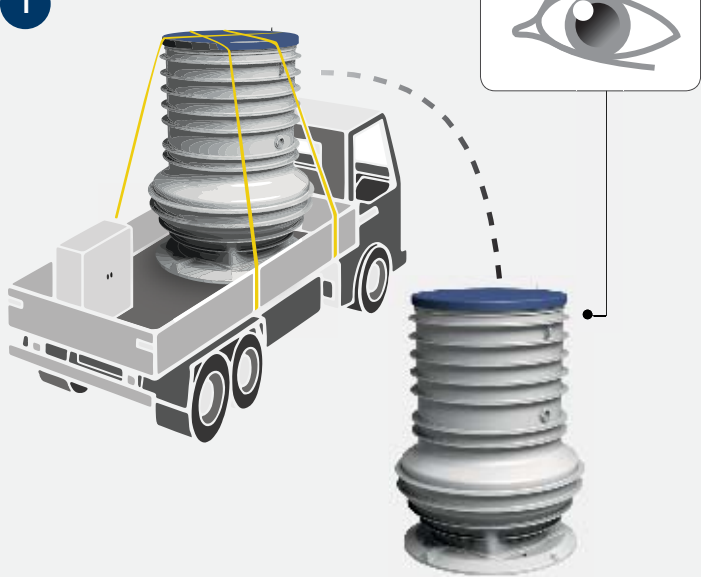


# PUMPING STATIONS

PS.R.05 - 17





<http://net.grundfos.com/qr/i/96235218>