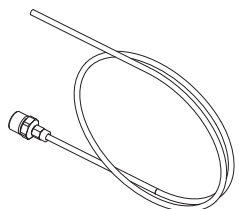



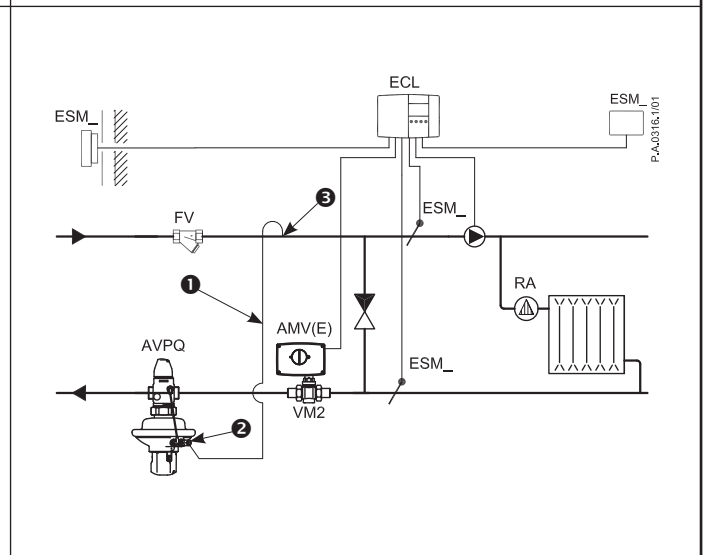
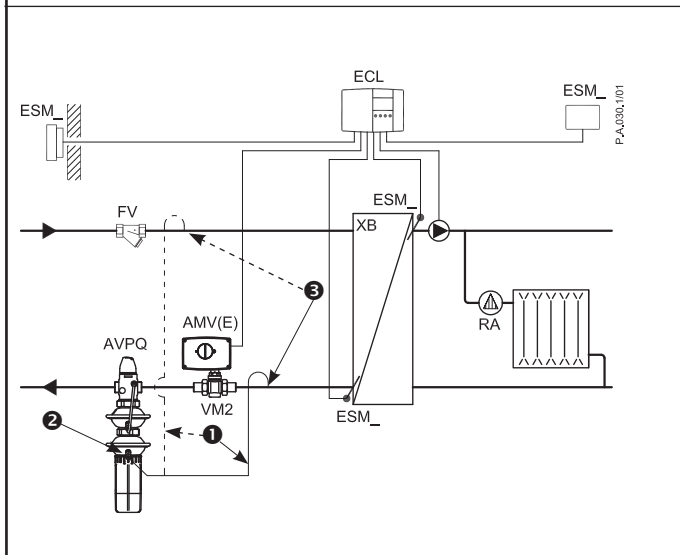
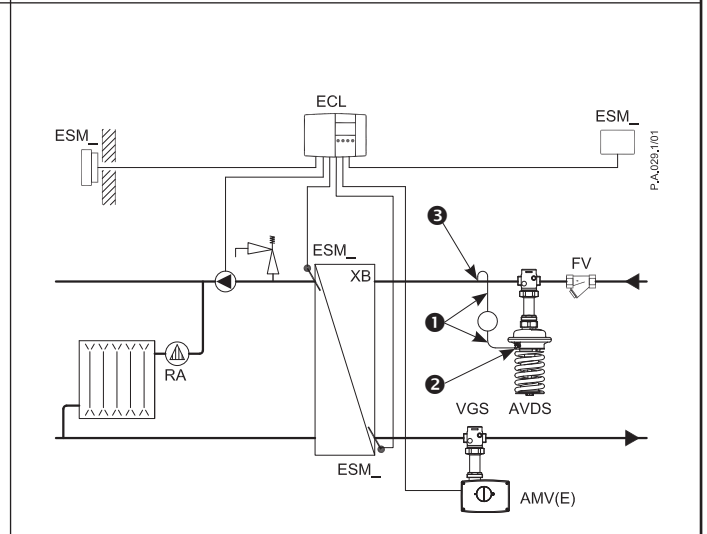
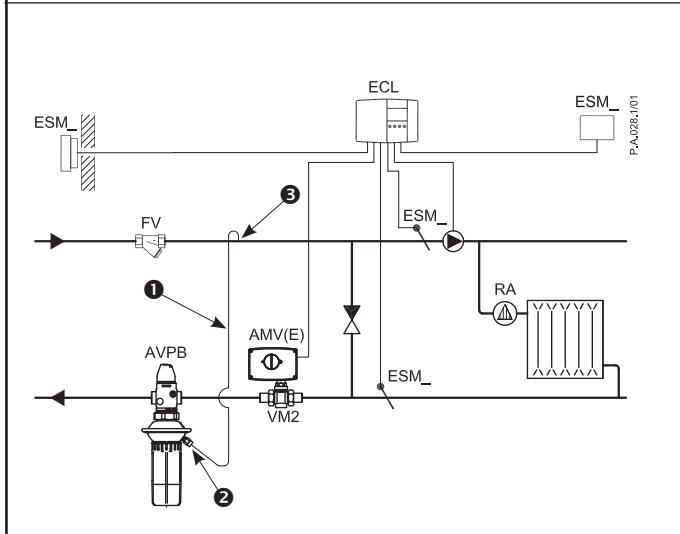
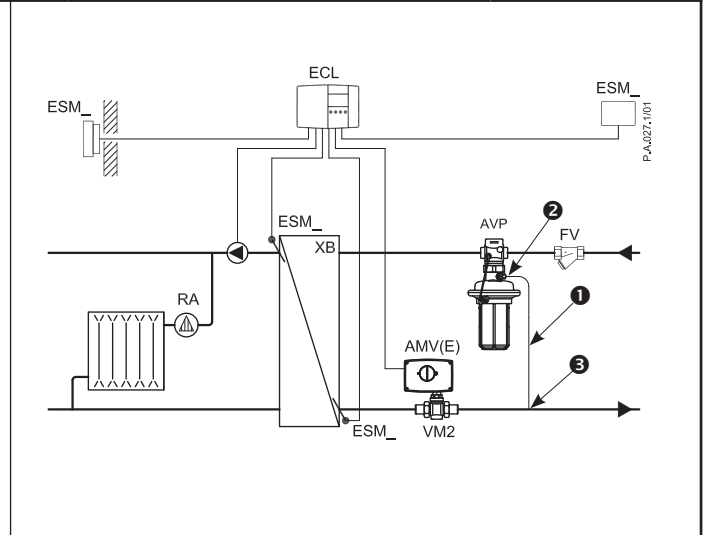
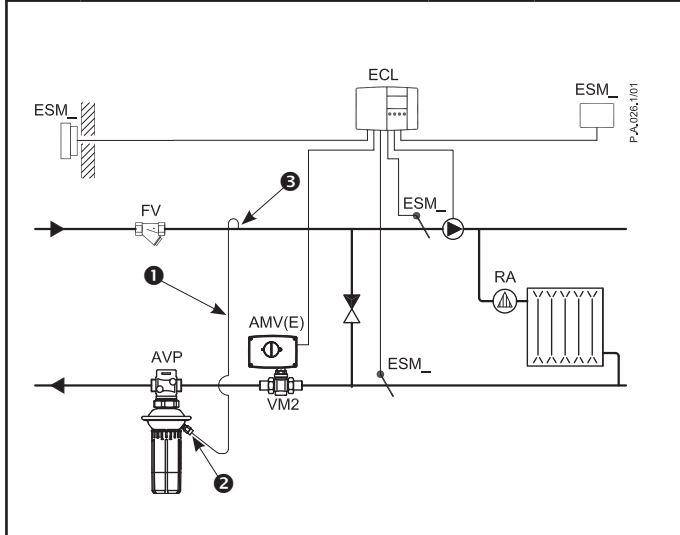


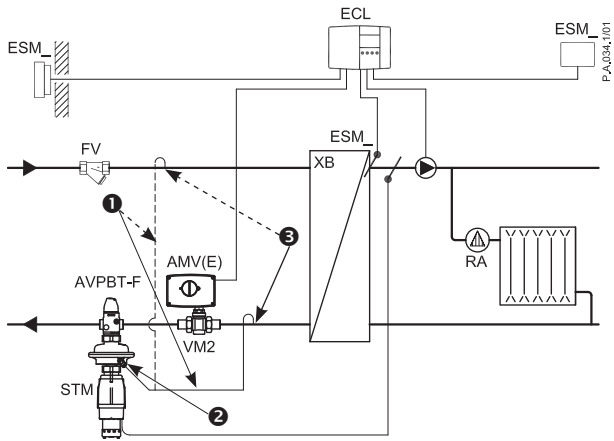
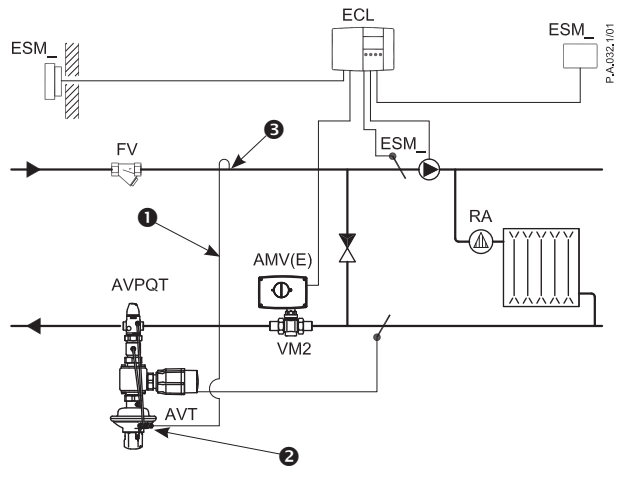
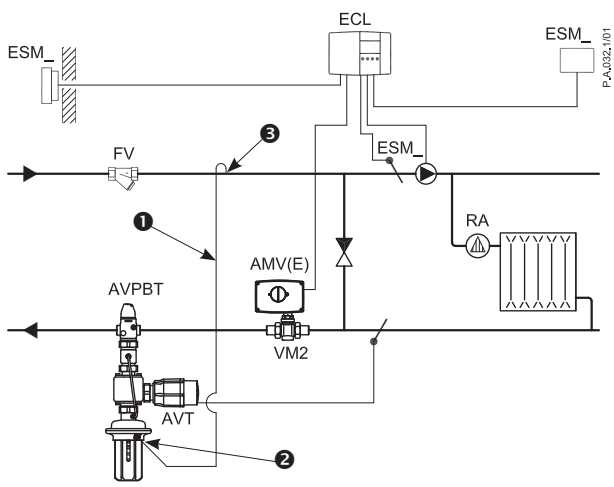
Instructions

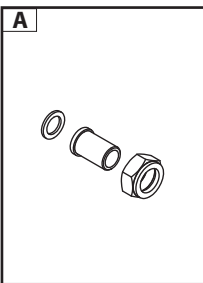
Accessories – Catalogue

| 2 | ① | | R 1/8 | 003H6852 | | SW 12 (14 Nm) | SW 10 | | | | | | | | | | | | | | | | | | |
|---------|---------|------------|-------|---|--|---------------|---------------|----|-------|----|-----|----|---------|----|---------|--|---------|---------|----|----|----|----|----|----|----|
| | | | R 3/8 | 003H6853 | | SW 12 (14 Nm) | SW 17 | | | | | | | | | | | | | | | | | | |
| | | | R 1/2 | 003H6854 | | SW 12 (14 Nm) | SW 22 | | | | | | | | | | | | | | | | | | |
| | | | - | 003H6860 | | SW 12 (14 Nm) | SW 12 (14 Nm) | | | | | | | | | | | | | | | | | | |
| | ② | | G 1/8 | 003H6931 | | SW 12 (14 Nm) | SW 14 | | | | | | | | | | | | | | | | | | |
| | | | | 003H6932 | | | | | | | | | | | | | | | | | | | | | |
| | ③ | | R 1/8 | 003H6857 | | SW 12 (14 Nm) | SW 10 | | | | | | | | | | | | | | | | | | |
| | | | R 3/8 | 003H6858 | | SW 12 (14 Nm) | SW 17 | | | | | | | | | | | | | | | | | | |
| | | | R 1/2 | 003H6859 | | SW 12 (14 Nm) | SW 22 | | | | | | | | | | | | | | | | | | |
| | 4 | A | | <table border="1"> <thead> <tr> <th>DN (mm)</th> <th>EN 10226-1</th> </tr> </thead> <tbody> <tr> <td>15</td> <td>G 3/4</td> </tr> <tr> <td>20</td> <td>G 1</td> </tr> <tr> <td>25</td> <td>G 1 1/4</td> </tr> <tr> <td>32</td> <td>G 1 3/4</td> </tr> </tbody> </table> | | DN (mm) | EN 10226-1 | 15 | G 3/4 | 20 | G 1 | 25 | G 1 1/4 | 32 | G 1 3/4 | <table border="1"> <thead> <tr> <th>DN (mm)</th> <th>SW (mm)</th> </tr> </thead> <tbody> <tr> <td>15</td> <td>32</td> </tr> <tr> <td>20</td> <td>41</td> </tr> <tr> <td>25</td> <td>50</td> </tr> <tr> <td>32</td> <td>63</td> </tr> </tbody> </table> | DN (mm) | SW (mm) | 15 | 32 | 20 | 41 | 25 | 50 | 32 |
| DN (mm) | | EN 10226-1 | | | | | | | | | | | | | | | | | | | | | | | |
| 15 | | G 3/4 | | | | | | | | | | | | | | | | | | | | | | | |
| 20 | | G 1 | | | | | | | | | | | | | | | | | | | | | | | |
| 25 | G 1 1/4 | | | | | | | | | | | | | | | | | | | | | | | | |
| 32 | G 1 3/4 | | | | | | | | | | | | | | | | | | | | | | | | |
| DN (mm) | SW (mm) | | | | | | | | | | | | | | | | | | | | | | | | |
| 15 | 32 | | | | | | | | | | | | | | | | | | | | | | | | |
| 20 | 41 | | | | | | | | | | | | | | | | | | | | | | | | |
| 25 | 50 | | | | | | | | | | | | | | | | | | | | | | | | |
| 32 | 63 | | | | | | | | | | | | | | | | | | | | | | | | |
| B | C | | | | | | | | | | | | | | | | | | | | | | | | |
| A B C | | | | | | | | | | | | | | | | | | | | | | | | | |
| | | | | | | | | | | | | | | | | | | | | | | | | | |
| 5 | | | | | | | | | | | | | | | | | | | | | | | | | |
| | | | | | | | | | | | | | | | | | | | | | | | | | |
| 7 | | | | | | | | | | | | | | | | | | | | | | | | | |
| | | | | | | | | | | | | | | | | | | | | | | | | | |
| 8 | | | | | | | | | | | | | | | | | | | | | | | | | |
| | | | | | | | | | | | | | | | | | | | | | | | | | |

| | | | | | | |
|----------|---|-------|-----------------|--|---------------|---------------|
| 1 |  | R 1/8 | 003H6852 |  | SW 12 (14 Nm) | SW 10 |
| | | R 3/8 | 003H6853 | | SW 12 (14 Nm) | SW 17 |
| | | R 1/2 | 003H6854 | | SW 12 (14 Nm) | SW 22 |
| | | - | 003H6860 | | SW 12 (14 Nm) | SW 12 (14 Nm) |
| 2 |  | G 1/8 | 003H6931 | | SW 12 (14 Nm) | SW 14 |
| | | | 003H6932 | | | |
| 3 |  | R 1/8 | 003H6857 | | SW 12 (14 Nm) | SW 10 |
| | | R 3/8 | 003H6858 | | SW 12 (14 Nm) | SW 17 |
| | | R 1/2 | 003H6859 | | SW 12 (14 Nm) | SW 22 |

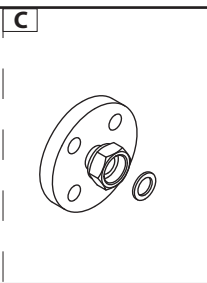






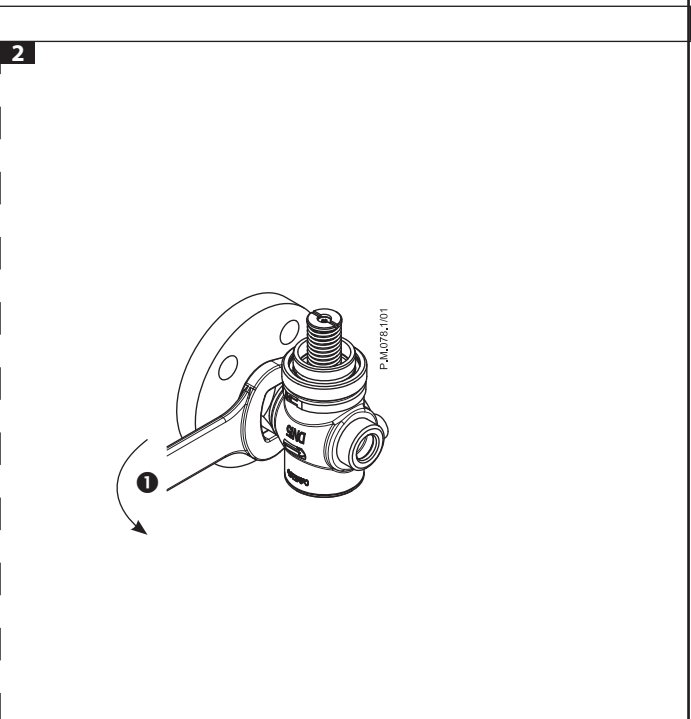
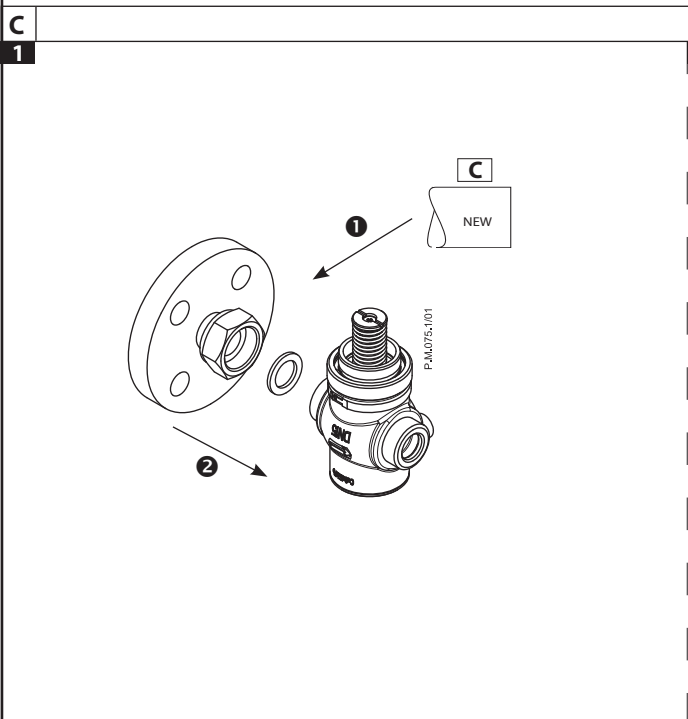
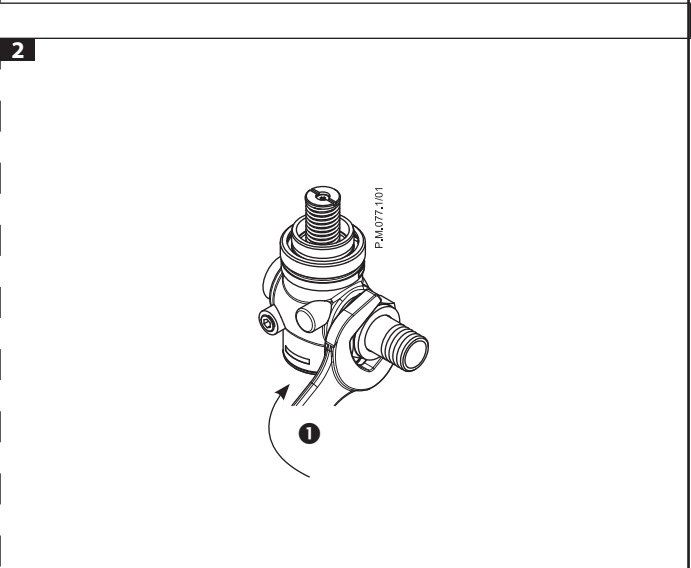
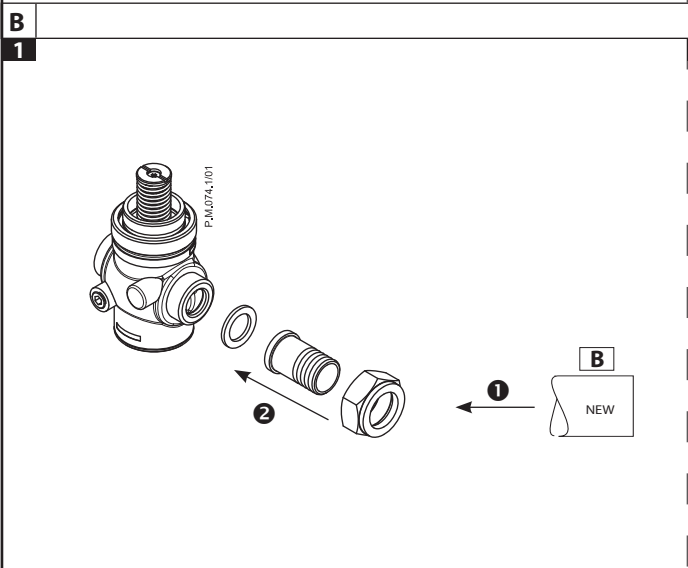
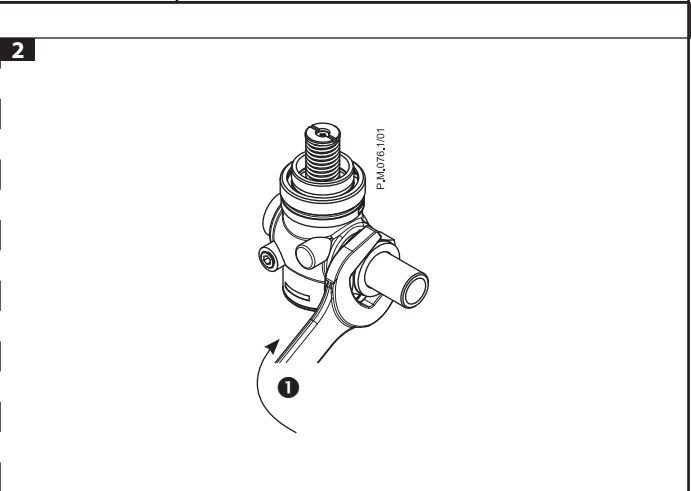
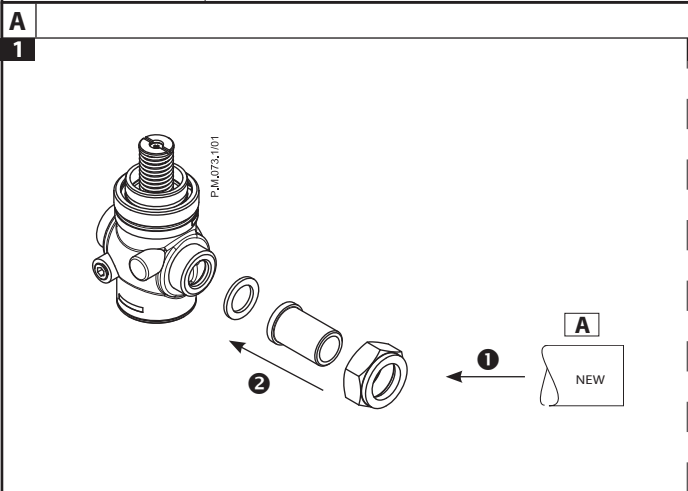
B

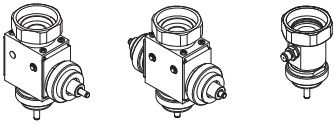
| DN (mm) | EN 10226-1 |
|---------|------------|
| 15 | G 3/4 |
| 20 | G 1 |
| 25 | G 1 1/4 |
| 32 | G 1 3/4 |



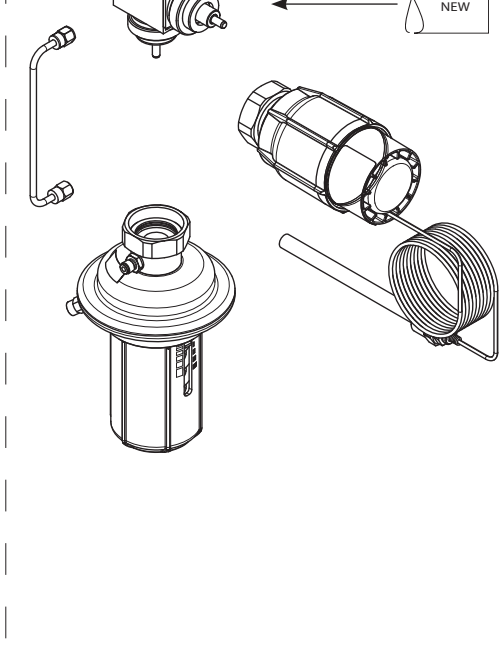
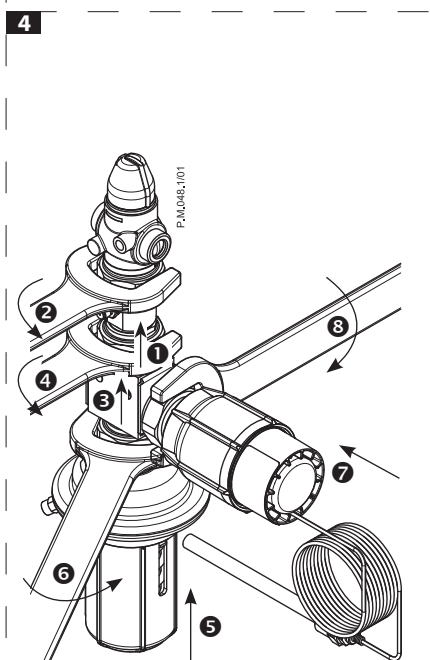
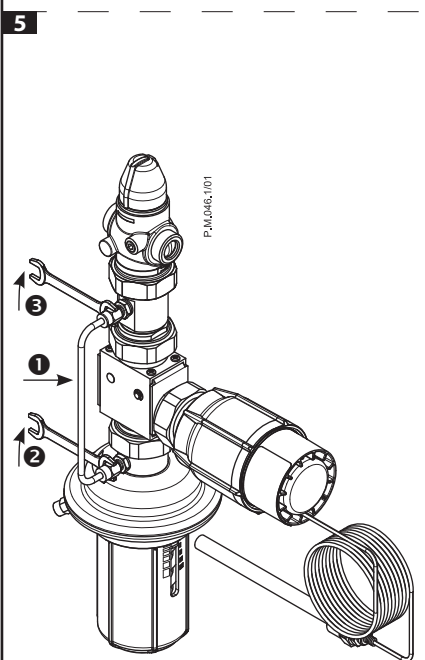
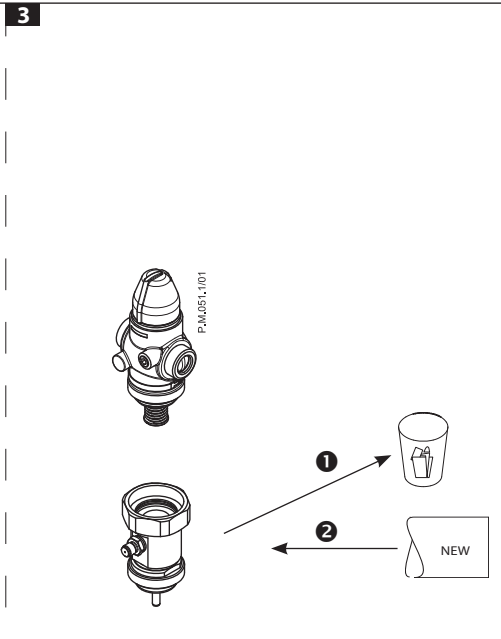
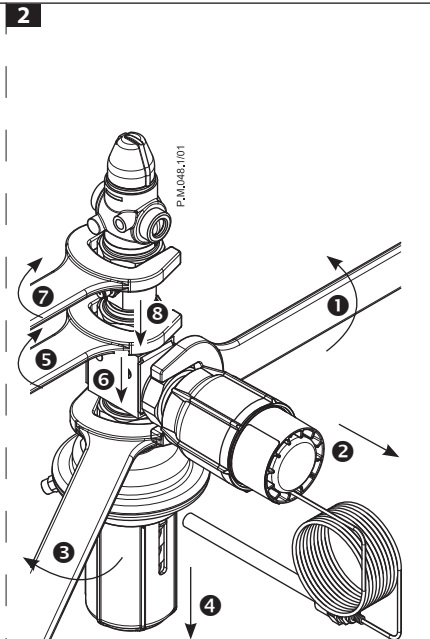
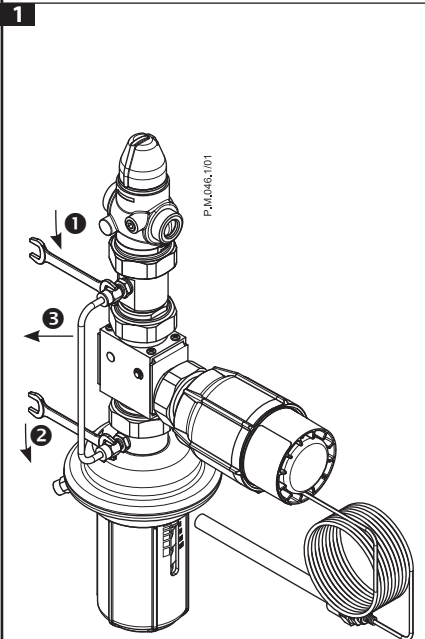
A B C

| DN (mm) | SW (mm) |
|---------|---------|
| 15 | 32 |
| 20 | 41 |
| 25 | 50 |
| 32 | 63 |

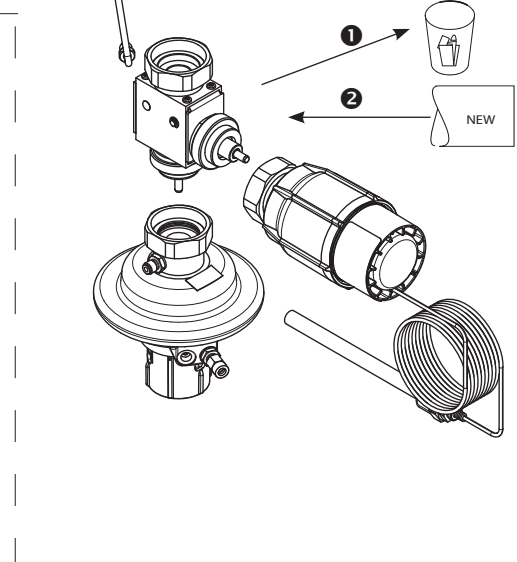
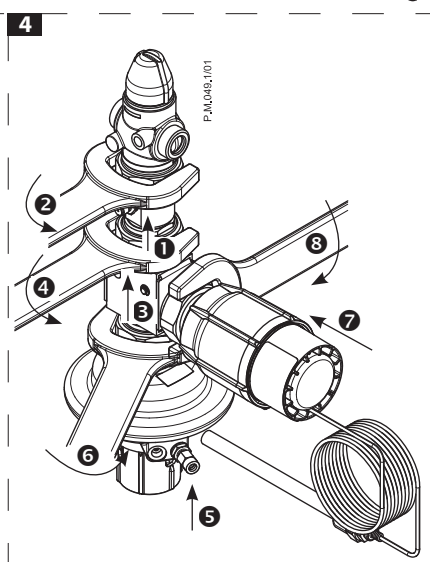
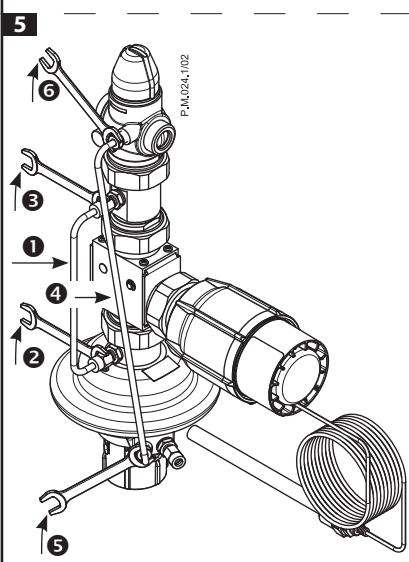
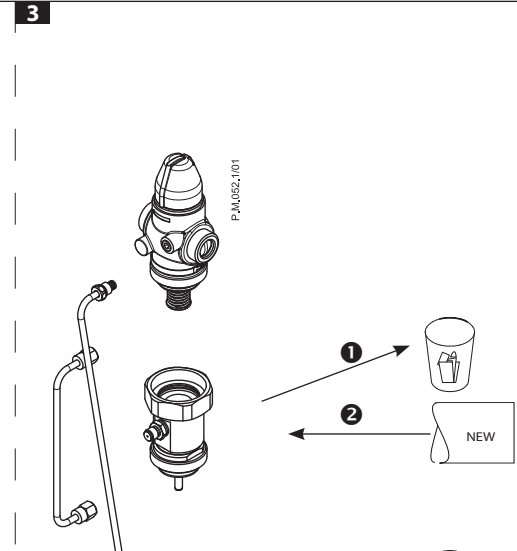
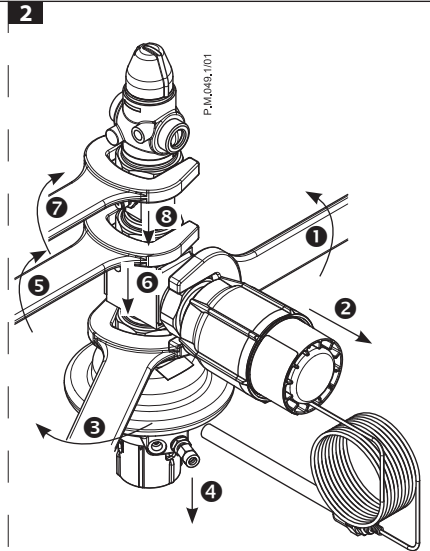
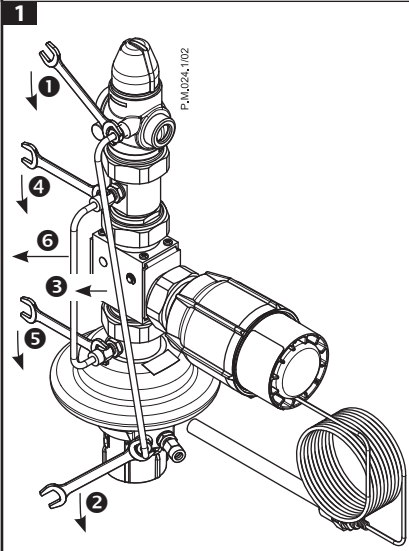




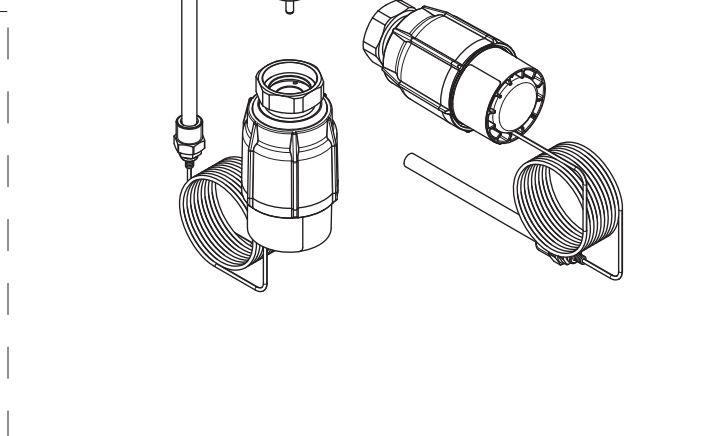
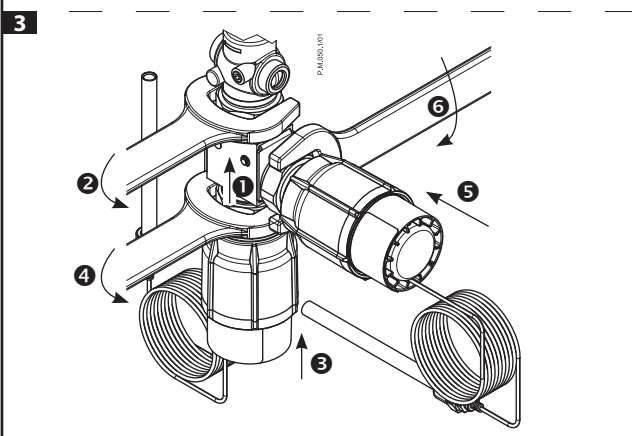
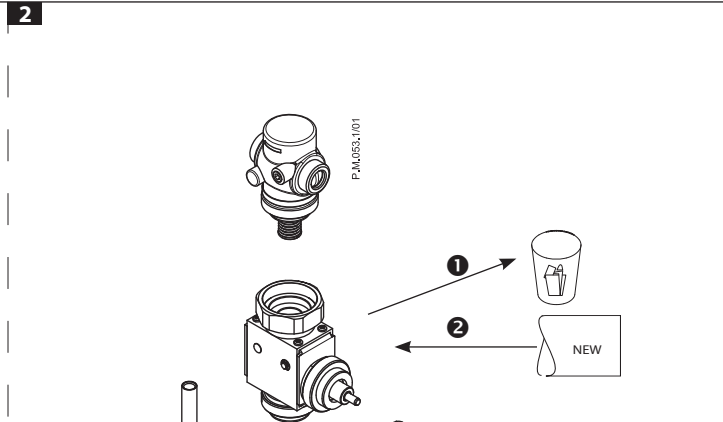
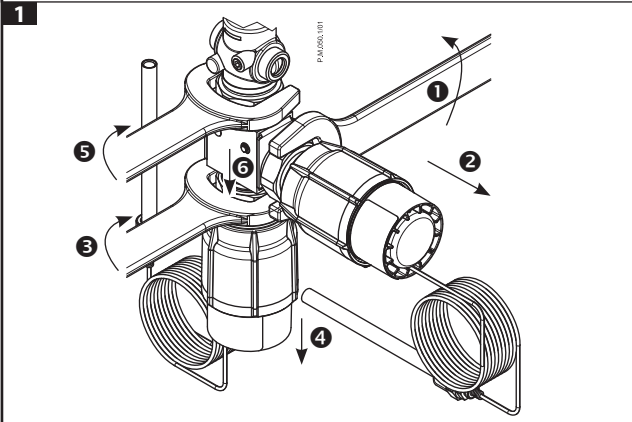
AVPBT/AVT, AVPBT/STM

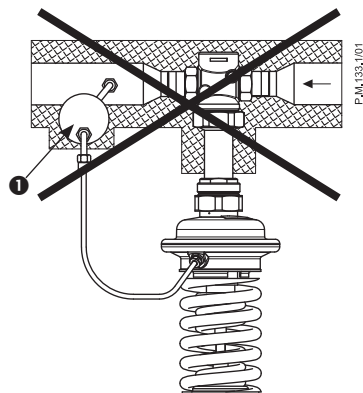
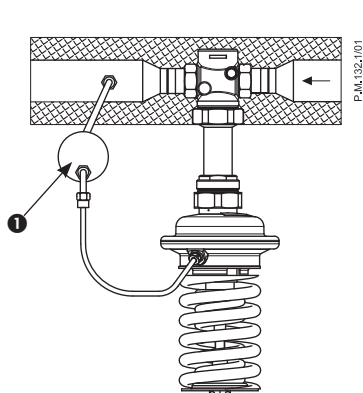
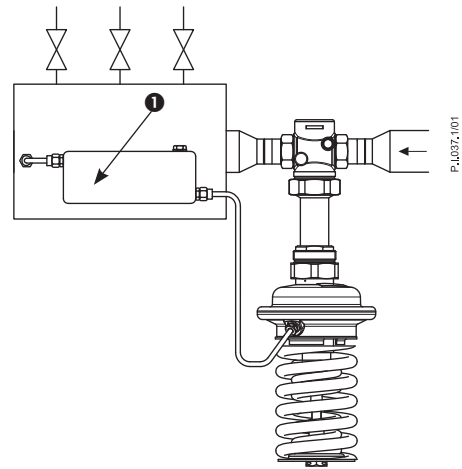
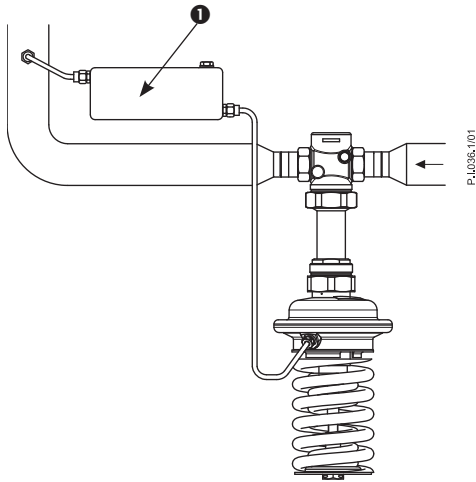
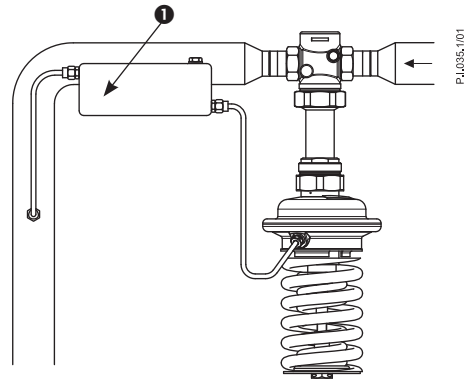
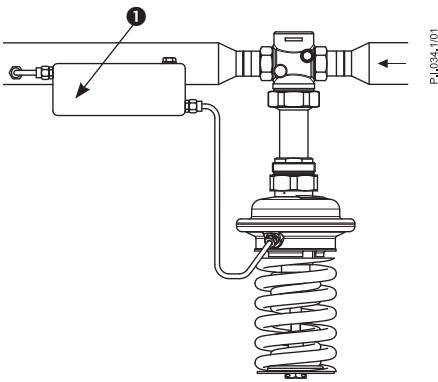
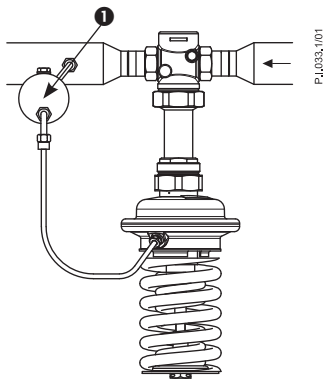
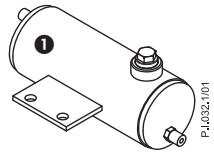


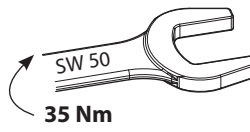
AVPQT/AVT, AVPQT/STM



AVT/AVT/VG(F), AVT/AVT/VGS, STM/AVT/VG(F), STM/AVT/VGS





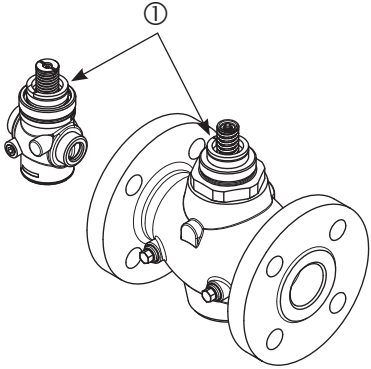


35 Nm



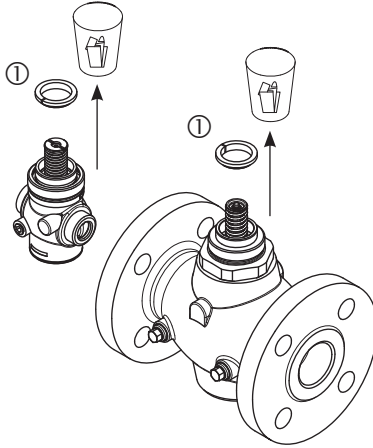
25 Nm

1



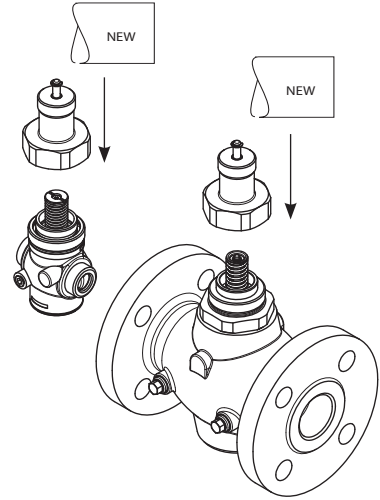
P.M.086.101

2



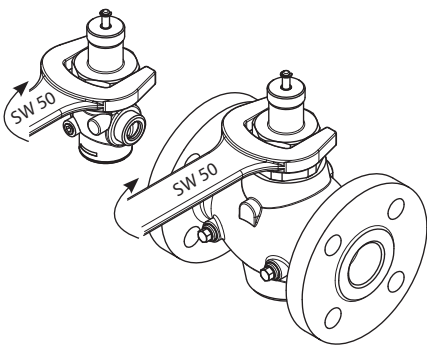
P.M.086.101

3



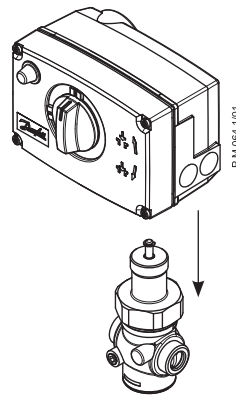
P.M.071.101

4



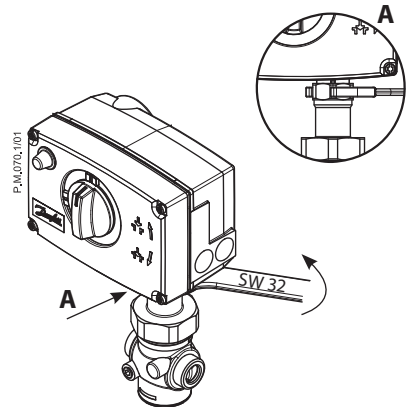
P.M.087.101

5



P.M.064.101

6



P.M.070.101